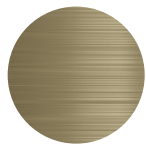


AXOR



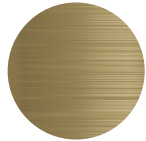
Contents



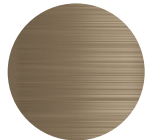
Brushed Brass
-950



Polished Gold Optic
-990



Brushed Gold Optic
-250



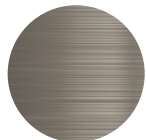
Brushed Bronze
-140



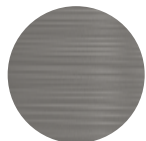
Polished Red Gold
-300



Brushed Red Gold
-310



Brushed Nickel
-820



Stainless Steel Optic
-800



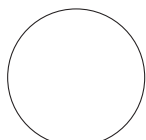
Polished Black Chrome
-330



Brushed Black Chrome
-340



Matt Black
-670



Matt White
-700

Errors and omissions excepted. Upon publication of this product catalogue, all previously published price books are no longer valid. Figures given for dimensional drawings are in mm. When installing the products, please follow the instructions in the installation manual. All products are subject to availability. The availability may be temporarily impacted by material shortages, interruptions in the supply chain or other force majeure events. Please contact us for further details.

The following general terms and conditions shall apply: <https://www.hansgrohe.com/terms-of-conditions>

Collections

The AXOR Brand 6



AXOR Citterio C 80



AXOR One 120



AXOR Edge 152



AXOR MyEdition 176



AXOR Starck 204



AXOR Starck Organic 236



AXOR Citterio 254



AXOR Citterio E 290



AXOR Citterio M 320



AXOR Urquiola 344



AXOR Massaud 364



AXOR Uno 374



AXOR Montreux 406

Programs



AXOR ShowerComposition 438



AXOR Showers 448



AXOR Shower systems 518



AXOR Shower controls 540



AXOR Accessories 588



AXOR Electronic faucets 634



AXOR Wash basins and bathtubs 644



AXOR Kitchen faucets 662



AXOR Drain, wastes and overflows 684



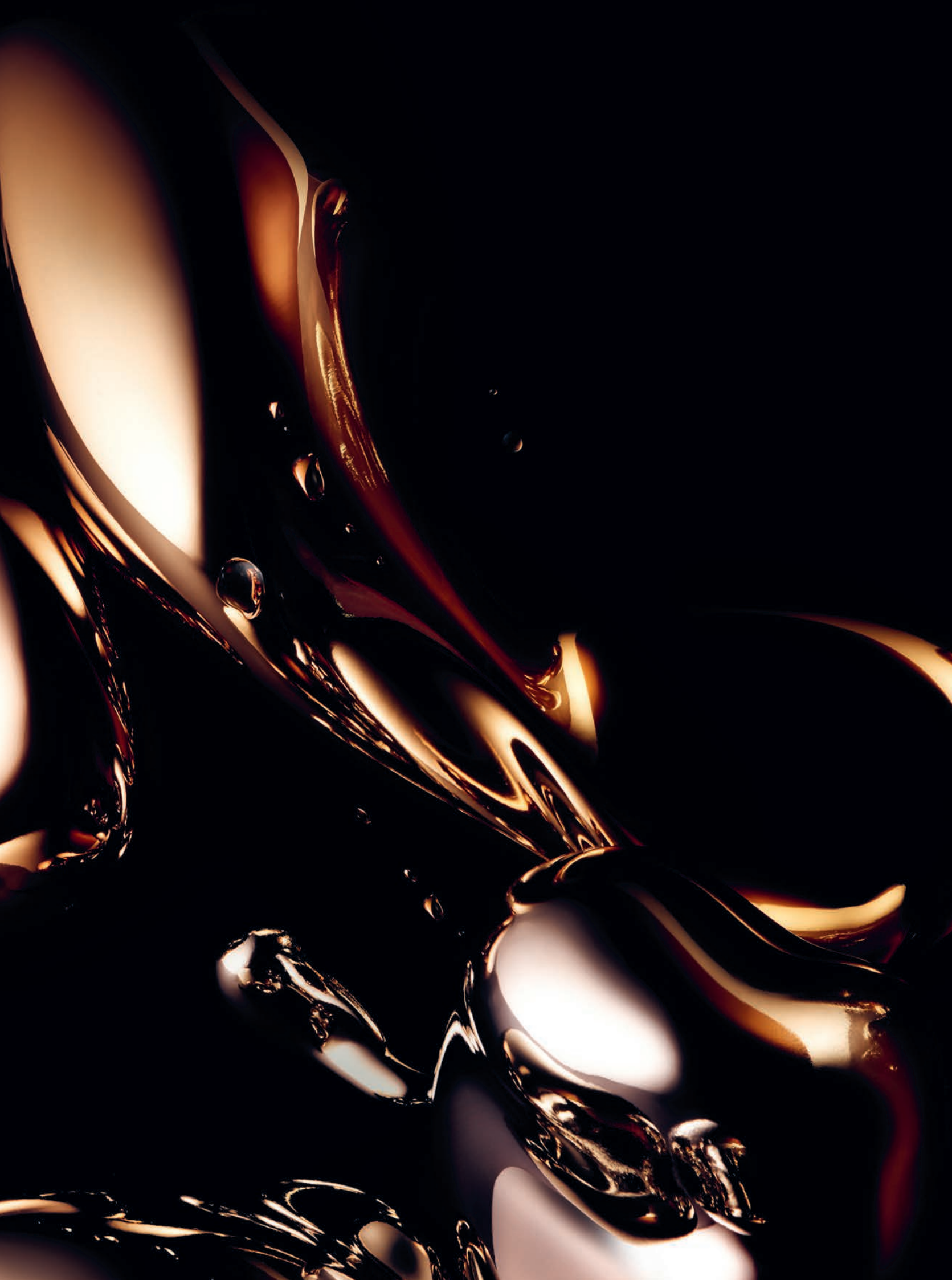
AXOR Basic sets 700

Planning & Inspiration

Planning & Installation 738

AXOR Inspiration 764

AXOR Design Dictionary 776



Making bathrooms personal

Since 1993.

Modern bathroom planning is increasingly about expressing personal style. For more than 30 years, AXOR has stood for the design of personal bathrooms. To this end, customers have access to an impressive range of around 2,000 products from the AXOR collections and AXOR programs. The collection and program overviews in the AXOR Product Book list all products—from classic to avantgarde—including the key sales arguments to get your customers on board with AXOR. With the AXOR FinishPlus and AXOR Signature customization services, AXOR offers even more options for designing individual bathrooms. Find out how AXOR uses new materials to turn the faucet into a sensuous experience in terms of feel and look in the chapter on customization. Support for shower planning with selected product combinations, as well as concrete installation tips, can be found in the Planning and Installation chapter. In the AXOR Inspiration chapter, you will find projects from all over the world that show how AXOR products contribute to the unique style of a hotel or residence. Our Design Lexicon serves as a reference for your sales meetings with design-savvy customers. Here, you will find explanations of the most important terms from the world of architecture and design.

AXOR lets you
create luxurious
bathrooms
and kitchens
that reflect your
personality.

From personalities—

Our iconic objects for luxury bathrooms and kitchens are created in collaboration with some of the best designers of our time, whose ideas challenge our habits of perception and change our everyday lives. People who live individuality and understand design as an expression of personality.

for personalities

The bathroom and kitchen are among some of our most intimate living spaces, places where we often just take care of ourselves. The element of water we use to do so is a precious commodity. Through outstanding design, we give it a form that unmistakably expresses this appreciation.

Philippe Starck

DESIGN VISIONARY

Philippe Starck is one of the most well-known creators of our time. Subversive and poetic, unexpected and free-spirited, rebellious and political, Starck experiments with a mission and a vision: creation, whatever shape it takes, must make life better for the largest number of people possible. As a vision of a better world, his creations attest a responsibility for society and the environment and a love for humanity.



Barber Osgerby

AGENTS OF INTERACTION DESIGN

Barber Osgerby embody the philosophy of interaction design. They stand for the interaction of the user with the product—what they see, hear and need. An art of design that's led to international public commissions and international awards, including the title of Royal Designer for Industry and the Order of the British Empire.

Jean-Marie Massaud

DESIGN ART THAT CONNECTS PEOPLE
AND SPACES

Massaud's unmistakable style provides refreshing stimulation—from product design to architecture. His creations are meant to touch people and provide a better place to live. Strongly influenced by the beauty and utility of nature, he creates synergies between people, design, and space.



Antonio Citterio

MASTER OF ELEGANCE

Nobody else has had an impact on Italian design like Antonio Citterio. As an architect, designer and perfectionist, he creates luxurious objects, interiors and architectural concepts for leading international brands. His signature shows an uncompromising combination of timeless forms and high-quality materials, always under the credo of perfection of Italian elegance.



Patricia Urquiola

VIRTUOSA OF STYLE FUSION

The Spanish designer enriches the international architecture and design scenes with her feminine design objects. She skillfully combines styles, patterns and materials. She surprises with floral decor, a sensual feel and arouses curiosity with her creations.

PHOENIX

DESIGN FOR REAL LIFE

PHOENIX's creations are tailored to people's real needs and desires in their everyday lives. Touching and forward-looking, always driven by logic, morality, and magic.





Nendo

POETIC DESIGN FROM JAPAN

Oki Sato's creations break with convention. And are easy to understand. The name of his office translates as "modeling clay." An indication that his designs are created in a very playful way. This approach has put him at the top of the international design scene.

Front

THE SWEDISH "AVANTGARDISTES"

Their design isn't typically Scandinavian. It is experimental, a play with visual effects inspired by fashion, film, and science. Their trademark is their ironic point of view and the joy of surprise. Qualities that have the international design scene buzzing.



The AXOR Success Story



1993

Establishment of the AXOR Brand

- 1994 AXOR Starck: Presentation with Salon d'eau by Philippe Starck
- 2000 AXOR WaterDream with PHOENIX—an innovative concept bathroom and Nendo

2003



- 2003 AXOR Citterio
- 2004 AXOR Starck—Redesign
- 2005 AXOR WaterDream with Patricia Urquiola, Jean-Marie Massaud and Ronan & Erwan Bouroullec
- 2006 AXOR Massaud and AXOR Montreux
- 2007 AXOR Citterio M
- 2008 AXOR ShowerCollection—the first shower product range
- 2009 AXOR Urquiola
- 2012 AXOR Starck Organic
- 2013 AXOR WaterDream and product launch of AXOR Showers designed by Front and Nendo

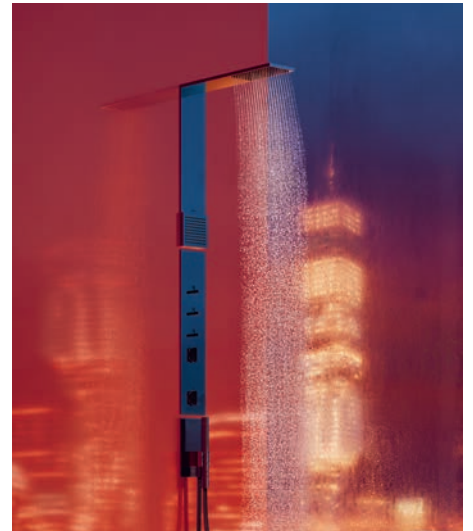
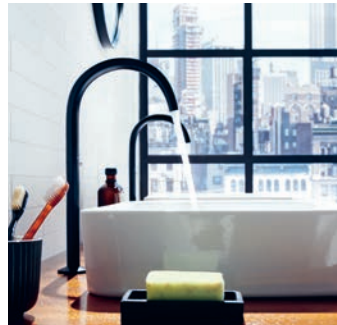
2014

- 2014 AXOR Starck V, AXOR Citterio E and AXOR Universal Accessories
- 2015 AXOR One shower products designed by Barber Osgerby and AXOR WaterDream with the ÉCAL design school
- 2016 AXOR WaterDream "Create your own spout"



For more than 30 years, AXOR has been helping architects, interior designers, and discerning customers express their personalities. AXOR has permanently changed the design and understanding of faucets and bathrooms like no other brand has—from functional sanitary spaces to individual places of wellbeing.

In 1981, Klaus Grohe commissions the first designer faucet for the Hansgrohe Group: Allegroh, designed by Esslinger Design, origin of the famous Frog Design studio. The first faucet collection in color, UNO, becomes an innovative market sensation. In the 1990s, design becomes a hallmark of prestige, and Klaus Grohe discovers its potential for the sanitation industry. This marks the beginning of AXOR's success story as a design brand for luxurious products to make the bathroom and kitchen more personal—inspired and created by world-famous, renowned designers.



2017

- 2017 AXOR Uno redesign and AXOR Showers with the innovative PowderRain spray mode
- 2018 AXOR MyEdition
- 2019 AXOR Edge



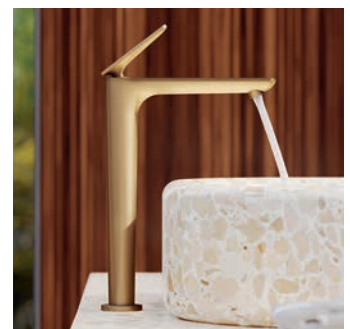
2021

- 2021 AXOR One
AXOR Citterio lever handle variants
AXOR Universal Circular Accessories
- 2022 AXOR Conscious Showers
AXOR Universal Rectangular Accessories
AXOR Starck
Nature Shower Column



2023

- 2023 AXOR ShowerComposition
AXOR Suite Basins & Bathtub
AXOR Drain
AXOR One Matt White
- 2024 AXOR Citterio C
AXOR ShowerSelect ID
AXOR FlushPlate



Why

FIVE REASONS TO CHOOSE AXOR



01 Design diversity

AXOR collaborates with internationally renowned designers. With their highly distinct signatures, they shape the great stylistic diversity and product depth of the AXOR range. Their design approaches set standards again and again—in terms of their avant-garde designs, which are innovative and timeless at the same time. As part of AXOR WaterDreams, designers from completely different disciplines create their vision of the bathroom of the future, completely detached from a product-oriented development. With their ideas, they provide new inspiration for the development of the space, its use, and matching products.

In the following collections, unique water designs create extraordinary haptic and visual experiences— with innovative spray modes and a completely new way of presenting water:

- AXOR Massaud with a natural looking waterfall
- AXOR Starck Organic with the gentle shower spray on a faucet for the first time
- AXOR Starck V with powerful water vortex
- AXOR MyEdition with PowderRain—fitting the faucet design

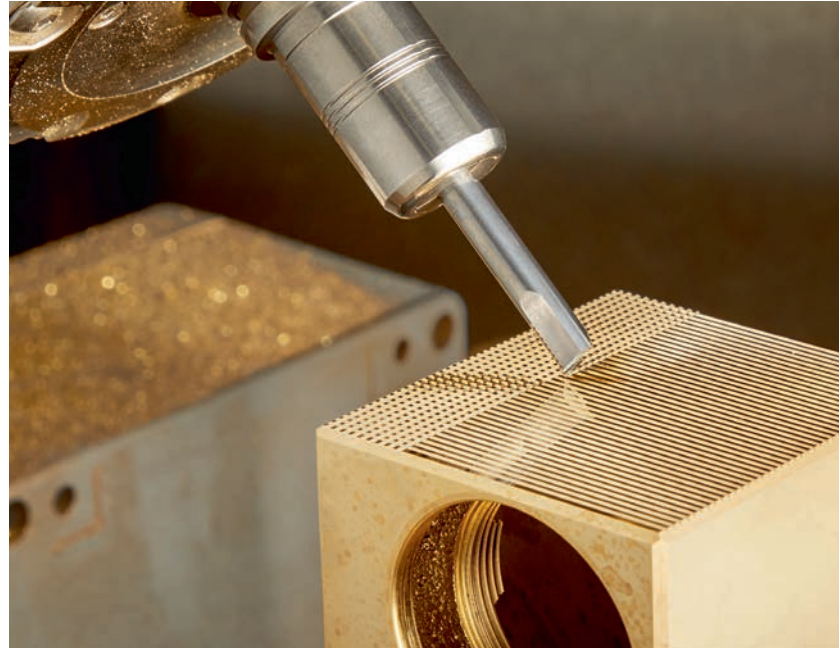
02 Individualization

The exclusive AXOR FinishPlus and AXOR Signature customization services meet customers' increasing demand for more options to customize bathroom products. With colored PVD surfaces and customized solutions, AXOR products become unmistakably unique.



03 Made in Germany

At AXOR's own factory at its headquarters in Schiltach, Germany, the first-class brand products are created with German engineering quality and a deep commitment to precision—in every detail. This know-how builds on the Hansgrohe Group's more than 120 years of experience, as well as the expertise of every single skilled worker. AXOR is also a pioneer in innovative manufacturing technologies, such as the latest generation diamond drilling machine for ultra-precision milling of surfaces in the AXOR Edge collection.



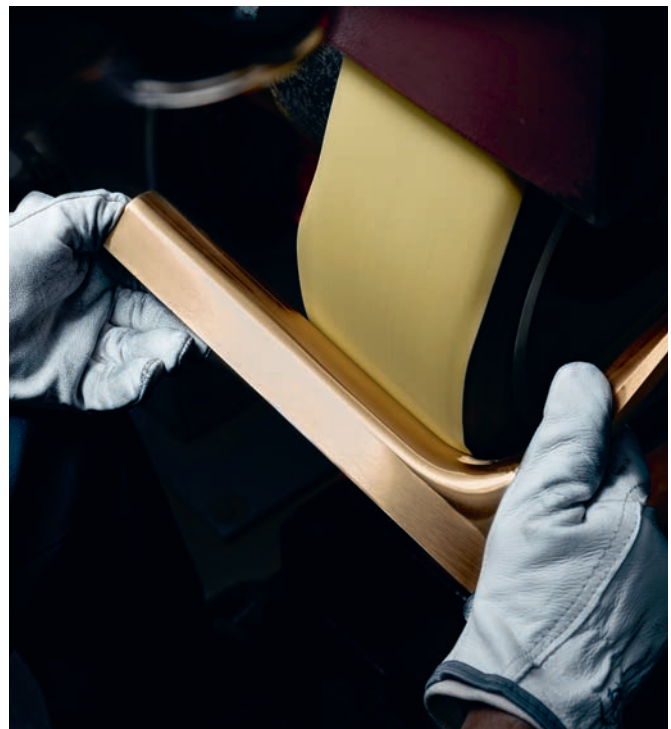
04 Worldwide presence

As part of the Hansgrohe Group, AXOR has 33 subsidiaries and 21 sales offices worldwide and supplies its products to over 146 countries. AXOR faucets, showers, and kitchen faucets can be found in the world's finest homes, hotels, and restaurants. International architects, planners, and builders trust AXOR quality in products and expert advice.

05 International design awards

AXOR's design achievements—marked by independent, internationally renowned industry experts—are confirmed by the numerous awards the brand has received for first-class product design since the very beginning. These include:

- Red Dot Best of Best for AXOR Edge
- iF Design Award in Gold for AXOR ShowerComposition, AXOR One and AXOR Uno
- Green Design Award for AXOR Starck Organic



reddot design award

Sustainability

AXOR IS DEDICATED TO CREATING THE HIGHEST QUALITY PRODUCTS.

AXOR contributes to a more sustainable future by designing luxurious products for water-related spaces that will last a lifetime. The brand adheres to eco-design principles and seeks to promote sensible consumption.

As part of the Hansgrohe Group, AXOR is committed to Science-Based Targets. Developed exclusively in Europe, our products are designed to be timeless and built to last. Ninety percent of our portfolio is produced at the AXOR Centre for Excellence in Germany's Black Forest.

In 2022, the Hansgrohe Group switched all international production sites to green electricity, making all facilities carbon neutral. This enables annual savings of over 26,000 tons of CO₂. In addition, the group plans to convert all water-consuming products to its "ECO*" specifications by 2030, delivering the same exceptional performance with water-saving technologies.

As part of the Hansgrohe Group, AXOR is committed to supporting five UN Sustainable Development Goals.

Enduring design meant to last a lifetime

AXOR products are designed to be updatable throughout their service life. Any required maintenance or repair can be easily performed without special tools. AXOR takes pride in its products' quality, which is why AXOR's manufacturer's warranty extends well beyond any legally required timespan. To ensure a secure investment, AXOR guarantees the availability of spare parts for our products for fifteen years—five years more than the legal requirement.

For almost 30 years, AXOR's ongoing collaboration with Philippe Starck has set the benchmark for sustainability through timeless, essentialist designs meant to last a lifetime.

* The Hansgrohe Group defines "ECO" as the reduction of water and/or energy consumption of water-bearing products in use by at least 22 percent compared to the base year 2020



Saving water is essential to AXOR

Water is one of our most precious resources. That's why, while continuing to offer water-saving products such as AXOR Conscious Showers, the AXOR product portfolio will be restructured over the coming years, placing even greater emphasis on water-efficiency. Why? Because reducing a product's water consumption also reduces the energy needed to heat that water, thus reducing carbon emissions.

AXOR plans to convert all water-consuming products to its "ECO" specifications by 2030, meaning the products will be available exclusively with water-saving technologies, all while offering the same exceptional functionality and performance.

Our water-saving Conscious Shower produces a generous water spray.



Collaboration lies at the heart of AXOR's mission

AXOR strives to produce in a resource-friendly manner. Beyond developing all AXOR products exclusively in Europe—and manufacturing 90% of them at its AXOR Centre for Excellence in Germany's Black Forest—the brand maintains long-standing relationships with regional suppliers that prioritize sustainability. Furthermore, the company has developed specific eco-design guidelines for the future development of the entire product range.

Fair working conditions are central to AXOR's sustainability mission.

Making more from less: AXOR's Eco-Design Guidelines



Material management is an essential component of AXOR's sustainability strategy. Throughout the design, production and extended life of a product, AXOR implements a range of measures to promote a minimal environmental impact.

CLOSING THE CYCLE

Our products are completely separable by type, allowing exclusively recyclable components to be returned to the material cycle, either via customer recycling or product take-back with subsequent remanufacturing/recycling by Hansgrohe.

LESS MATERIAL

AXOR aims to produce material-efficient products by using as little raw material as possible. Furthermore, AXOR strives to find sustainable, environmentally sound alternatives for widely used materials, which is why our products do not use inseparable composites or material mixes.

LESS COMPLEXITY

Through innovative design, AXOR ensures its products consist of components and parts that can be used universally across the portfolio, which reduces complexity and costs.

LESS COATING

AXOR products are durable even without coating. However, when coatings are necessary, they are applied using environmentally friendly surface technologies and the lowest possible amount of materials. To ensure the recyclability of components, coating thickness is kept as low as possible.

STAYING CLEAN

The design of AXOR products and the choice of materials are intended to prevent dirt and lime deposits and to make effective cleaning possible without the use of aggressive, environmentally harmful cleaners.

Climate neutrality* since 2022

After successfully converting its plant in Schiltach, Germany, to green electricity, Hansgrohe did the same with all of its international production sites at the beginning of 2022. This reduces CO₂ emissions by more than 26,000 tons annually. Subsequent energy efficiency analyses at Hansgrohe's production plants in France, China and Germany have identified further potential sustainability measures such as:

- combined heat and power plants and photovoltaics
- peak load and solar irradiation planning

In its facility in Shanghai, AXOR has already begun to utilize heat pump technology on the heating system for the electroplating baths.

All international production plants have also set their own aspirational sustainability targets for water, waste and energy.

As a result of these efforts, all Hansgrohe Group plants worldwide have been climate neutral* since 2022.

*Climate neutrality refers to greenhouse gas emissions from Scope 1 and 2 (direct emissions and energy consumed at the sites; Scope 3 emissions were excluded) according to the Greenhouse Gas Protocol. Wherever possible, the Hansgrohe Group actively reduces these emissions. The remaining emissions are offset through recognized, certified climate protection projects. Further information on these climate protection projects can be found at <https://www.hansgrohe-group.com/en/about-us/sustainability>.

UN Sustainability goals

Water is life, and water is our passion. We create inspiring moments while protecting this precious element. In doing so, we take responsibility for people and the environment. The Hansgrohe Group is committed to supporting five UN Sustainable Development Goals:

1. Good Health and Well-being
2. Clean water and sanitation
3. Decent work and economic growth
4. Responsible consumption and production
5. Climate action



Our service offering



AXOR FINISHPLUS AND AXOR SIGNATURE

With these customization services, AXOR answers customers' personal wishes and the demand for distinctive design. More at: [axor-design.com](https://www.axor-design.com)



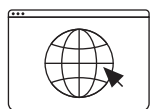
FIVE-YEAR MANUFACTURER'S GUARANTEE

The manufacturer's warranty extends beyond the legally required period and underlines AXOR's quality claim. In addition, strict quality management is already applied during the manufacturing process to ensure products meet the high requirements of independent testing institutes and legal regulations. Please note the warranty conditions at: [axor-design.com/en/service/product-warranty](https://www.axor-design.com/en/service/product-warranty)



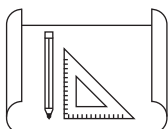
15 YEARS GUARANTEED AVAILABILITY

Fifteen years guaranteed availability for spare parts for AXOR products ensures a secure investment. All information and products are fast and easy to find online in the Spare Parts Shop: [spares.hansgrohe.com](https://www.spares.hansgrohe.com)



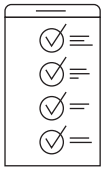
PROFESSIONAL WEBSITE

On the portal, specialist retailers, architects, and installers can find information, planning data, and prices for all products, as well as practical tips and tools for professional bathroom planning and advice. More at: [pro.hansgrohe-asia.com](https://www.pro.hansgrohe-asia.com)



PLANNING DATA

Installation and service instructions, dimensional drawings, BIM planning data and 3D data for optimal bathroom planning with AXOR products can also be found in the professional portal: [pro.hansgrohe-asia.com](https://www.pro.hansgrohe-asia.com)



COMFORTZONE TEST

Create the perfect combinations of faucets and sinks in this internal test center. For this purpose, matching sinks from leading manufacturers are tested with AXOR products for optimal functionality and appearance. All recommended combinations can be found on the AXOR website on the respective collection page: axor-design.com



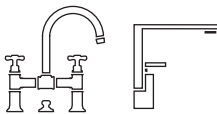
MEISTERSERVICE

AXOR service specialists are trained sanitation experts with advice on technical issues—by phone, email, or chat. In special cases, a specialist for building services can also be available on site. If required, local contacts are available by phone or e-mail.



PROJECT CONSULTATION

AXOR offers professional support and advice for project tenders and planning worldwide. If required, please contact your local contact partner.



BATHROOM EXHIBITION

Experience AXOR live worldwide: The WaterStudios in architectural and design metropolises are sources of inspiration and meeting places, design and training centers for trade partners, architects, and interior designers. In the Aquademie at the brand's headquarters in Schiltach, Germany, visitors and trade partners can experience a bathroom and kitchen world over 1,000 square meters with a museum on the history of the bathroom, the company, and the brand, regular events, and a Showerworld for test showers.



ONLINE AQUADEMIE

You can access the newly developed Hansgrohe Online Aquademie via the trade partner website. Here, partners in the trade and crafts can benefit from detailed knowledge on the topics of products and sanitation technology, as well as from non-technical highlights. More information at: aquademie-seminars.hansgrohe.com



The world of AXOR design at a glance

The remarkable diversity of styles in the AXOR portfolio reflects the unique personalities and creative approaches of the world-renowned designers with whom AXOR collaborates. Not only does the AXOR portfolio represent the power of our acclaimed design partners' ideas itself, but it actively inspires new ideas among architects and interior designers as they strive to create unique and expressive bathroom environments.

The House of AXOR makes the vast stylistic possibilities associated with brand visible at a glance. Included in the composition is AXOR Citterio C, an eye-catching new collection of faucets and shower products by Antonio Citterio, one of the world's leading architects and designers.

But the House of AXOR also explores the power of colors, which have a tremendous impact on humans, influencing our psyche, awakening memories and associations, and helping us to express our personal identities. Judith van Vliet, founder of The Color Authority and one of Europe's foremost experts on color, says, "I think we all speak the language of color, but unconsciously. I think we're not aware of it, that we're speaking color. It is a form of communication."

For architects and interior designers who strive to realize individual luxury and express the personality of the user, speaking the language of color is essential. AXOR supports their efforts by offering a wide range of exclusive AXOR FinishPlus surfaces, as featured within the various bathroom scenarios of the concept. With its bold embrace of color, the visualization underlines the unique color expertise of AXOR, which investigated the power of colors in the fourth installment of its AXOR Futures series.

Also embedded within the House of AXOR is a concern for the power of details. Expertly crafted details and distinctive features are a hallmark of AXOR quality. When incorporated into the visions of architects, interior designers and decorators, such details and features can play an important role in bringing individual luxury to life.

With AXOR Signature, customers can take their visions of individual luxury even further, personalizing products through an array of individualization services. The new AXOR ShowerSelect ID, for example, can be individualized through bi-color PVD combinations and with custom inlays in precious

materials. The new AXOR Citterio C collection, meanwhile, can be individualized both through bi-color PVD combinations and through exclusive surface textures beyond the optional texture that is available as standard with the collection.

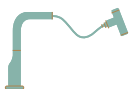
In short, the House of AXOR offers much more than an overview of the stylistic diversity of the AXOR portfolio. By presenting a range of different scenarios—each featuring collections with carefully curated finishes and details appropriate to the setting—the variety of styles of AXOR allows architects, interior designers and the design-savvy public to engage with the power of ideas, colors and details as they pursue their visions of individual luxury and personal expression.



Design icons and style diversity



From classic to modern: AXOR faucets, showers, wash basins, bathtubs and accessories. Unique, avant-garde pieces and complete collections. Created with world-renowned designers. Uncompromising in quality. Full of pioneering innovations. In pursuit of perfection.



Uncompromisingly innovative

Pioneering ideas. Shaping water into invigorating jets, enveloping cocoons and sensual flows. Intuitive systems. Simple to use, easy to clean and ecologically responsible. Promoting conscious and conscientious water use. The result of intensive research and development, AXOR technologies are made in Germany to the highest quality standards—our own. In pursuit of perfection.



AIRPOWER-TECHNOLOGY:

Enriching water with air produces plump droplets for a velvety touch on the skin.



POWDERRAIN-TECHNOLOGY:

The finest silicone nozzles, with several openings per nozzle, provide a uniquely fine mist of water.



QUICKCLEAN-TECHNOLOGY:

Remove limescale deposits quickly and easily with flexible silicone nozzles.



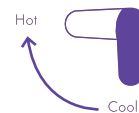
SELECT-TECHNOLOGY:

Use the Select button to switch spray modes or shower heads; turn the water on and off at the faucet.



ECO-SMART-TECHNOLOGY:

Faucets and showers that consume up to 60% less water than our conventional products.



COOLSTART-TECHNOLOGY:

Cold water flows automatically when in the neutral handle position.



COMFORTZONE:

Defines the space between the wash basin and faucet. The larger the ComfortZone, the greater the variety of uses.



Individual expression in the bathroom

AXOR services have one thing in common:
They result in products that combine individuality
and quality at the highest level.

With collections in a variety of styles, AXOR responds to the desire for individualization in the bathroom. AXOR FinishPlus and AXOR Signature are two services for maximizing options for customers to express their personalities.

With the brushed or polished versions of colored AXOR FinishPlus surfaces, mixers, showers and accessories become design objects that perfectly complete an interior design and create an exclusive accent. The durable, high-quality surfaces are manufactured in a physical vapor deposition process (PVD).

AXOR Signature responds to customer requests for modifications such as inscriptions of the customer's signature, or inscriptions in the local language. The service can also provide extended shower connections to meet certain spatial requirements or to modify the mixer spout with respect to the unusual geometry of a wash basin. Experts with many years of experience and a love of detail address the modification requests, creating solutions in accordance with the most advanced industrial standards.

SPECIAL FEATURES OF THE INDIVIDUALIZATION SERVICES :

- / Exclusively developed surfaces for AXOR FinishPlus bring unique personality to the bathroom or kitchen through the use of color
- / The extremely durable surfaces are created with the physical vapor deposition (PVD) process in the AXOR production facility in Schiltach, Germany
- / The lacquered Matt Black and Matt White finishes offer customers maximum customization
- / AXOR Signature implements highly individualized customer requests: Lengthening, shortening, inscription
- / All modifications are carried out by AXOR experts at the highest level of craftsmanship and in accordance with industrial standards



AXOR FinishPlus— Refinement of a special kind

Luxury is all about fulfilling personal dreams. AXOR FinishPlus surfaces are expressions of individuality at the highest level. They set new benchmarks for luster, robustness and durability. Whether as single items or in large quantities, they are manufactured at the highest technical level and stand for quality made in Germany.

- / AXOR FinishPlus meets the increasing desire for individualization: The surfaces can be made to match the interior design perfectly.
- / A standardized process guarantees consistent quality
- / The Black Chrome and Red Gold surface finishes, developed by our own experts through intensive research work, underline the role of AXOR as an innovative leader in the area of surfaces
- / A mixer with an AXOR FinishPlus surface, along with its spare parts, is available for purchase in an identical quality and design for 15 years
- / In addition to the prespecified AXOR FinishPlus surfaces, other surfaces can be produced according to personal specifications by request through AXOR Signature





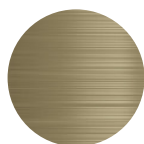
ELECTROPLATED FINISHES



Chrome

-000

AXOR FINISHPLUS PVD SURFACES



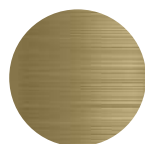
Brushed Brass

-950



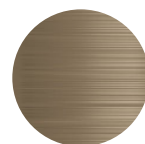
Polished Gold Optic

-990



Brushed Gold Optic

-250



Brushed Bronze

-140



Polished Red Gold

-300



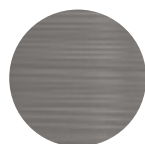
Brushed Red Gold

-310



Brushed Nickel

-820



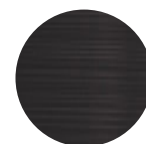
Stainless Steel Optic

-800



Polished Black Chrome

-330



Brushed Black Chrome

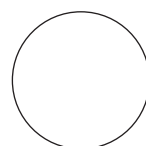
-340

AXOR FINISHPLUS LACQUERED SURFACES



Matt Black

-670



Matt White

-700

Lacquered Matt Black and Matt White finishes are only available for a selected range of AXOR products.

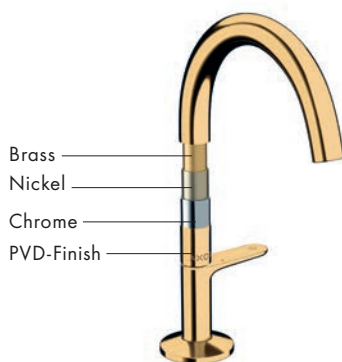
The masterly combination of high-tech and craftsmanship

ELECTROPLATING



Chrome is the standard surface in the sanitary environment and has proven itself in the bathroom over many decades. Through the electrochemical deposition of various metals, and depending on the type of substrate, a copper layer is built up in the electroplating bath, followed by a bright nickel and chrome layer on the basic brass body.

PVD



The unmistakable character of the polished and brushed AXOR FinishPlus PVD surfaces is the result of intensive development, refined in AXOR's in-house vacuum chambers using the physical vapor deposition (PVD) process. The PVD process gives the surfaces an additional metal layer. The vapor deposition of different process gas mixtures creates different light reflections on the surface. The result: exceptional color brilliance and high resistance. In order to reproduce a brushed surface, an additional work step is required in which the surface is textured with a brushing fleece by hand.

LACQUER



The wet-lacquered AXOR FinishPlus surfaces, Matt Black and Matt White, offer a bold color that gives the product a silky, smooth feel and simple elegance.

/ The beneficial properties of PVD surfaces include resistance to scratching, cleaning agents and salty sea air



AXOR Signature— from the special to the one-of-a-kind

Lengthening, shortening, inscription. AXOR Signature is an exclusive service that takes a design object and makes it one-of-a-kind, whether by providing each mixer with the customer's personal touch or by modifying it to fit specific dimensions. The personal and customized result manufactured by AXOR experts in Schiltach. With the utmost in care and precise craftsmanship in accordance with industrial standards.

AXOR SIGNATURE PROVIDES THE FOLLOWING SERVICES:

- / Extensions, e.g., from wall to wash basin or bathtub, or from the ceiling into the room
- / New developments
- / Component mix
- / Laser engraving, printing, and deep engraving to integrate initials, logos, or additional markings in the national language or another size, as well as special marking for functions
- / Feasibility testing in advance of order acceptance with individualized delivery schedule and price



Bi-color finishes: Contrasting elegance



For those who can't decide on just one color, AXOR Signature offers the possibility to finish products in custom bi-color configurations, opening up a variety of new, exciting options to express individual tastes in the bathroom. With various distinct AXOR FinishPlus surfaces to choose from, the combination options—from subtle tonal shifts to bold and colorful contrasts—are seemingly endless.

High-precision engravings and marks



To create deeper, more ornate engravings with a haptic 3D quality, AXOR Signature opts for a more complex lasering process. Finely-tuned to a surface depth of 0.15mm and applied in several layers, the procedure can take up to 30 minutes to carve just one design in meticulous detail.

Custom symbols for enhanced communication

STANDARD VERSION



EXAMPLES



CUSTOMIZED VERSION



Application of personalized inscriptions such as a monogram or icons to clearly identify users

Pushing the boundaries of individualization

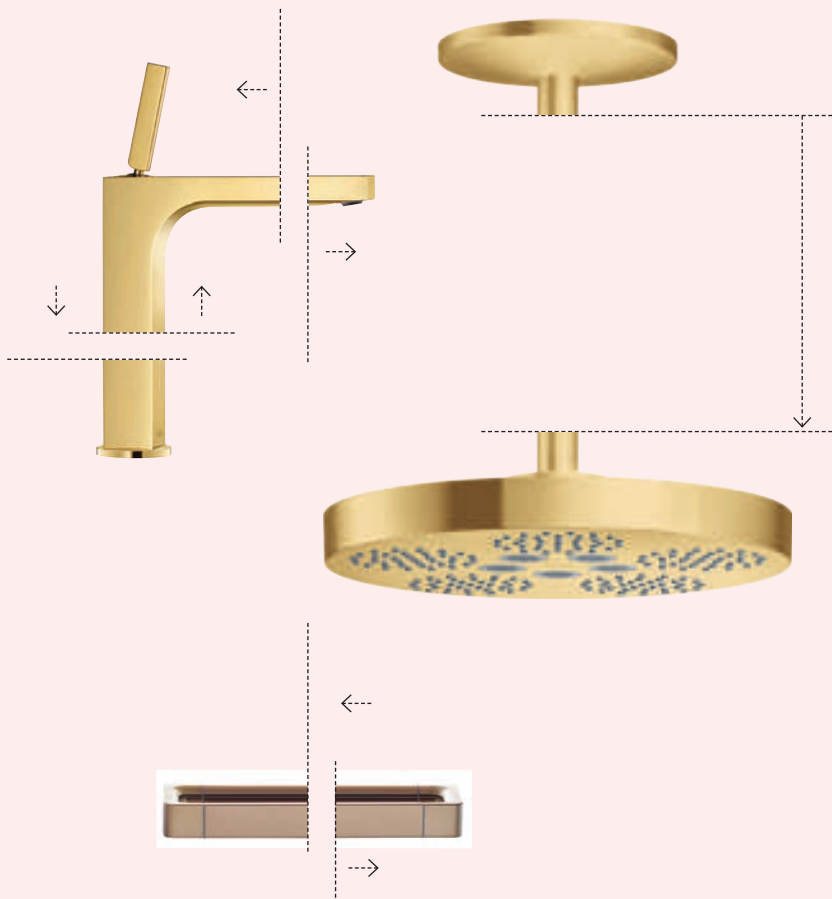


In addition to the optional cubic cut available for the handles of the AXOR Citterio C collection, AXOR Signature offers three pre-defined structures: soft cut, rhombic cut and linear cut for an even more personalized bathroom.

LENGTH ADJUSTMENTS



Lengthening of a ceiling connection—adapted for the height of the room



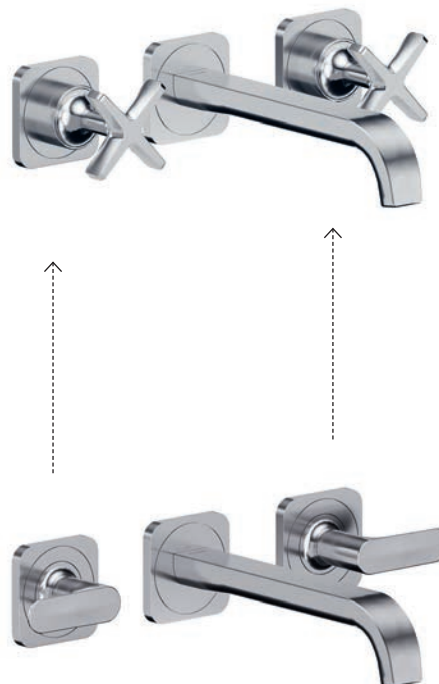
NEW DEVELOPMENT

New development of a faucet handle from the AXOR Montreux collection for the Hotel Villa Copenhagen. In the suites designed by the jewelry company Shamballa Jewels, some of the AXOR faucets are specially equipped with Shamballa gemstone handles.



MIX OF COMPONENTS

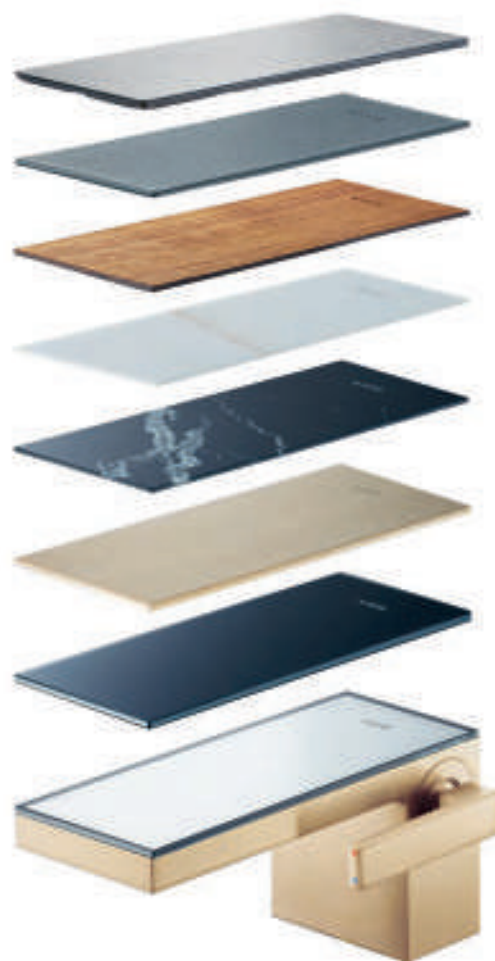
AXOR Signature allows customers to select and combine different components across AXOR collections to best match the individual character of their projects. Simple yet effective, the service is both a testament to the universal, enduring visions of each AXOR designer as it is an inventive method to creating new and inspiring interpretations of their collections.



Combination of different design and product components.

A new dimension of individualization

With materials such as metal, glass, wood, marble and leather, AXOR Signature creates an entirely new feel for mixers. The cover plates are carefully selected by AXOR experts and designed to meet high benchmarks for mixer use. Each plate is a one-of-a-kind original.

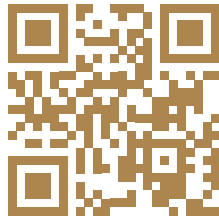


/ Natural materials impart an especially sensual look and feel



Inspiration and Information

To learn more about AXOR,
visit our website.



axor-design.com



AXOR Design



AXOR



axordesign



AXOR



axor.design

For AXOR, luxury means creating an experience of form and function. One that appeals to the senses and touches people. An experience that begins on the AXOR website. For impressions of and information about all products. For bathroom inspiration and planning. For individualization and refinement possibilities. For background about the brand, the design and the technology.

Collections

	AXOR Citterio C	80
	AXOR One	120
	AXOR Edge	152
	AXOR MyEdition	176
	AXOR Starck	204
	AXOR Starck Organic	236
	AXOR Citterio	254
	AXOR Citterio E	290
	AXOR Citterio M	320
	AXOR Urquiola	344
	AXOR Massaud	364
	AXOR Uno	374
	AXOR Montreux	406

Phase-out products 2025

Available while stock lasts

	Code no.		Code no.
AXOR Citterio		3-hole basin mixer for concealed installation wall-mounted with spout 190 mm and push-open waste set	46060000
Single lever bath mixer for exposed installation with lever handle	39400000	Thermostat for exposed/ concealed installation for 3 functions	46140000
Single lever bath mixer for exposed installation with lever handle	39400340	Thermostat for exposed/ concealed installation for 3 functions - diamond cut	46141000
Single lever shower mixer for exposed installation with lever handle	39600000	Single lever bidet mixer with push-open waste set	46210000
Single lever shower mixer for exposed installation with lever handle	39600340	Thermostat for exposed/ concealed installation for 2 functions	46240000
Showerpipe with single lever mixer and overhead shower 180 1jet	39620000	Thermostat for exposed/ concealed installation for 2 functions - diamond cut	46241000
Showerpipe with single lever mixer and overhead shower 180 1jet	39620340	Bath spout	46410000
Showerpipe with thermostat and overhead shower 180 1jet	39670000	Single lever bath mixer for concealed installation with integrated security combination according to EN1717	46420000
Showerpipe with thermostat and overhead shower 180 1jet	39670340	3-hole rim mounted bath mixer	46430000
Single lever kitchen mixer 230 Semi-Pro EcoSmart	39842000	Single lever bath mixer floor-standing	46440000
Single lever kitchen mixer 230 Semi-Pro EcoSmart	39842800	Single lever bath mixer for concealed installation	46450000
Single lever kitchen mixer 260 with swivel spout EcoSmart	39853000	Single lever bath mixer for concealed installation - diamond cut	46451000
Single lever kitchen mixer 260 with swivel spout EcoSmart	39853340	Porter unit with baton hand shower 2jet and shower hose	46520000
Single lever kitchen mixer 260 with swivel spout EcoSmart	39853800	Single lever shower mixer for concealed installation	46650000
Single lever kitchen mixer 230 with pull-out spout EcoSmart	39864000	Thermostatic module Select 470/100 for concealed installation for 2 functions	46700000
Single lever kitchen mixer 230 with pull-out spout EcoSmart	39864340	Thermostatic module Select 540/100 for concealed installation for 3 functions	46710000
Single lever kitchen mixer 230 with pull-out spout EcoSmart	39864670	Thermostatic module Select 610/100 for concealed installation for 4 functions	46720000
Single lever kitchen mixer 230 with pull-out spout EcoSmart	39864800	Thermostatic module Select 680/100 for concealed installation for 5 functions	46730000
AXOR Citterio M		Thermostat HighFlow for concealed installation	46740000
2-hole single lever kitchen mixer 240 with swivel spout EcoSmart	34823000	Thermostat for concealed installation with shut-off valve	46750000
2-hole single lever kitchen mixer 240 with swivel spout EcoSmart	34823800	Thermostat for concealed installation with shut-off/ diverter valve	46760000
2-hole single lever kitchen mixer 220 with pull-out spray EcoSmart	34824000	Shut-off valve for concealed installation	46770000
2-hole single lever kitchen mixer 220 with pull-out spray EcoSmart	34824800	Single lever bath mixer for concealed installation with integrated security combination according to EN1717 - diamond cut	46421000
AXOR Edge		Single lever shower mixer for concealed installation - diamond cut	46651000
Single lever basin mixer 130 with push-open waste set	46010000	AXOR Montreux	
Single lever basin mixer 190 with push-open waste set	46020000	Single lever kitchen mixer 210 Semi-Pro EcoSmart	16585000
Single lever basin mixer 280 for wash bowls with push-open waste set	46030000	Single lever kitchen mixer 210 Semi-Pro EcoSmart	16585800
Single lever basin mixer floor-standing with push-open waste set	46040000	AXOR Starck	
3-hole basin mixer 130 with push-open waste set	46050000	Single lever bath mixer for concealed installation with lever handle	10414000

	Code no.		Code no.
Single lever bath mixer for concealed installation with lever handle	10414340	Thermostat HighFlow for concealed installation	12711000
Single lever bath mixer for concealed installation with lever handle and integrated security combination according to EN1717	10427000	Thermostat HighFlow 120/120 for concealed installation	12712000
Single lever bath mixer for concealed installation with lever handle and integrated security combination according to EN1717	10427340	Shut-off/ diverter valve Trio/ Quattro 120/120 for concealed installation	12731000
Single lever bath mixer floor-standing with lever handle	10455000	Shut-off valve 120/120 for concealed installation	12771000
Single lever bath mixer floor-standing with lever handle	10455340	AXOR Uno	
Single lever bath mixer floor-standing with lever handle	10455670	Single lever basin mixer 70 with loop handle and waste set	38021000
Single lever bath mixer for exposed installation with lever handle	10465000	Single lever basin mixer 70 with loop handle and waste set	38021340
Single lever bath mixer for exposed installation with lever handle	10465340	Single lever basin mixer 70 with loop handle and waste set	38021820
Single lever shower mixer for concealed installation with lever handle	10614000	Single lever basin mixer 100 with loop handle and pop-up waste set	38023000
Single lever shower mixer for concealed installation with lever handle	10614340	Single lever basin mixer 100 with loop handle and pop-up waste set	38023340
Single lever shower mixer for concealed installation with lever handle	10614670	Single lever basin mixer 100 with loop handle and pop-up waste set	38023820
Single lever shower mixer for exposed installation with lever handle	10665000	Single lever basin mixer 100 with loop handle and waste set	38026000
Single lever shower mixer for exposed installation with lever handle	10665340	Single lever basin mixer 100 with loop handle and waste set	38026340
Thermostat for concealed installation	10710000	Single lever basin mixer 100 with loop handle and waste set	38026820
Thermostat for concealed installation	10710340	Single lever basin mixer 190 with loop handle for wash bowls and waste set	38032000
Thermostat HighFlow for concealed installation	10715000	Single lever basin mixer 190 with loop handle for wash bowls and waste set	38032340
Thermostat HighFlow for concealed installation	10715340	Single lever basin mixer 190 with loop handle for wash bowls and waste set	38032820
Single lever kitchen mixer 270 with pull-out spray EcoSmart	12800000	Single lever basin mixer 250 with loop handle for wash bowls and waste set	38034000
Single lever kitchen mixer 270 with pull-out spray EcoSmart	12800800	Single lever basin mixer 250 with loop handle for wash bowls and waste set	38034340
Single lever kitchen mixer 300 with swivel spout EcoSmart	12801000	Single lever basin mixer 250 with loop handle for wash bowls and waste set	38034820
Single lever kitchen mixer 300 with swivel spout EcoSmart	12801800	Single lever basin mixer 240 with loop handle and pop-up waste set	38036000
Single lever kitchen mixer 240 Semi-Pro EcoSmart	12803000	Single lever basin mixer 240 with loop handle and pop-up waste set	38036340
Single lever kitchen mixer 240 Semi-Pro EcoSmart	12803800	Single lever basin mixer 240 with loop handle and pop-up waste set	38036820
Single lever bath mixer for concealed installation with lever handle	11414670	Single lever basin mixer floor-standing with loop handle without waste set	38037000
AXOR Starck Organic		Single lever basin mixer floor-standing with loop handle without waste set	38037340
Bath thermostat for exposed installation	12410000	Single lever basin mixer floor-standing with loop handle without waste set	38037820
Single lever bath mixer for concealed installation	12415000	3-hole basin mixer 160 with loop handles and pop-up waste set	38054000
Single lever bath mixer for concealed installation with integrated security combination according to EN1717	12416000		
Shower thermostat for exposed installation	12602000		
Single lever shower mixer for concealed installation	12605000		

Phase-out products 2025

Available while stock lasts

	Code no.		Code no.
3-hole basin mixer 160 with loop handles and pop-up waste set	38054340	Single lever bath mixer floor-standing with loop handle	38442820
3-hole basin mixer 160 with loop handles and pop-up waste set	38054820	Single lever shower mixer for exposed installation with loop handle	38621000
Single lever basin mixer for concealed installation wall-mounted with loop handle and spout 165 mm	38121000	Single lever shower mixer for exposed installation with loop handle	38621340
Single lever basin mixer for concealed installation wall-mounted with loop handle and spout 165 mm	38121340	Single lever shower mixer for exposed installation with loop handle	38621820
Single lever basin mixer for concealed installation wall-mounted with loop handle and spout 165 mm	38121820	Single lever shower mixer for concealed installation with loop handle	38626000
Single lever basin mixer for concealed installation wall-mounted with loop handle and spout 225 mm	38122000	Single lever shower mixer for concealed installation with loop handle	38626340
Single lever basin mixer for concealed installation wall-mounted with loop handle and spout 225 mm	38122340	Single lever shower mixer for concealed installation with loop handle	38626820
Single lever basin mixer for concealed installation wall-mounted with loop handle and spout 225 mm	38122820	Basin mixer Select 110 with pop-up waste set	45010000
Single lever bidet mixer with loop handle and pop-up waste set	38211000	Basin mixer Select 110 with pop-up waste set	45010340
Single lever bidet mixer with loop handle and pop-up waste set	38211340	Basin mixer Select 110 with pop-up waste set	45010820
Single lever bidet mixer with loop handle and pop-up waste set	38211820	Basin mixer Select 110 with waste set	45012000
Thermostat for concealed installation	38375340	Basin mixer Select 110 with waste set	45012340
Thermostat for concealed installation	38375820	Basin mixer Select 110 with waste set	45012820
Single lever bath mixer for exposed installation with loop handle	38421000	Basin mixer Select 200 for wash bowls with waste set	45013000
Single lever bath mixer for exposed installation with loop handle	38421340	Basin mixer Select 200 for wash bowls with waste set	45013340
Single lever bath mixer for exposed installation with loop handle	38421820	Basin mixer Select 200 for wash bowls with waste set	45013820
Single lever bath mixer for concealed installation with loop handle	38426000	Basin mixer Select 260 for wash bowls with waste set	45014000
Single lever bath mixer for concealed installation with loop handle	38426340	Basin mixer Select 260 for wash bowls with waste set	45014340
Single lever bath mixer for concealed installation with loop handle	38426820	Basin mixer Select 260 for wash bowls with waste set	45014820
Single lever bath mixer for concealed installation with loop handle and integrated security combination according to EN1717	38428000	Basin mixer Select 80 with waste set	45015000
Single lever bath mixer for concealed installation with loop handle and integrated security combination according to EN1717	38428340	Basin mixer Select 80 with waste set	45015340
Single lever bath mixer for concealed installation with loop handle and integrated security combination according to EN1717	38428820	Basin mixer Select 80 with waste set	45015820
3-hole rim mounted bath mixer with loop handle	38436000	Bidet mixer Select with pop-up waste set	45210000
3-hole rim mounted bath mixer with loop handle	38436340	Bidet mixer Select with pop-up waste set	45210340
3-hole rim mounted bath mixer with loop handle	38436820	Bidet mixer Select with pop-up waste set	45210820
Single lever bath mixer floor-standing with loop handle	38442000		
Single lever bath mixer floor-standing with loop handle	38442340		

AXOR Urquiola

Thermostat HighFlow for concealed installation	11731000
Shut-off/ diverter valve Trio/ Quattro for concealed installation	11925000
Shut-off valve for concealed installation	11960000
Extension element square 1-hole arrow	14966000
Extension element square 2-hole red blue	14968000
Basic set for thermostat for exposed/ concealed installation for 2 functions	45442180
Basic set for thermostat for exposed/ concealed installation for 3 functions	45443180

Packaging units

Please consider the packaging units when placing your order.

Code no.	Number Of Items Per PackingUnit	Code no.	Number Of Items Per PackingUnit	Code no.	Number Of Items Per PackingUnit	Code no.	Number Of Items Per PackingUnit	Code no.	Number Of Items Per PackingUnit
01		10822000	6	13623180	25	16541820	8	18355820	2
01005180	10	10822800	5	13625180	6	16544000	4	18356000	2
01007180	10	10823000	36	13632000	36	16544820	4	18356140	2
01400180	10	10823800	36	13637000	62	16546000	5	18356340	2
01700180	10	10902180	36	13638000	85	16546820	5	18357000	2
01750180	18	10921180	9	15		16549180	6	18357140	2
10		10924000	4	15480180	4	16550000	2	18357340	2
10001000	8	10932000	14	15484180	10	16551000	6	18357820	2
10001340	8	10941180	9	15485180	4	16551820	6	18358000	2
10003000	8	10942000	3	15486180	4	16554000	2	19	
10003340	8	10971180	11	15490180	4	16560000	6	19418000	4
10007000	8	10972000	11	16		16560820	6	26	
10010000	8	11		16180180	4	16580000	4	26022000	4
10018000	8	11020000	6	16182180	4	16580340	4	26023000	2
10030000	6	11021000	8	16261000	6	16580800	4	26025000	36
10101000	10	11024000	3	16261820	8	16581000	4	26032000	2
10102000	8	11025000	5	16320000	36	16581340	4	26034000	2
10103000	8	11026000	12	16320340	14	16581800	4	26035000	2
10103340	8	11040000	4	16320820	14	16582000	5	26035820	2
10106000	10	11041000	6	16325000	52	16582800	5	26039180	10
10111000	8	11220000	8	16325820	38	16800000	9	26050000	48
10116000	8	11420000	5	16502000	3	16800820	9	26050140	48
10117000	8	11425000	7	16502820	3	16801000	9	26050340	48
10123000	10	11430000	10	16505000	3	16801820	9	26050820	48
10129000	8	11445000	4	16506000	3	16810000	10	26050990	48
10140000	9	11620000	5	16506340	3	16810340	10	26051000	15
10145000	9	11625000	10	16506820	3	16810820	10	26431000	12
10145340	9	11626000	33	16510000	6	16815000	10	26431140	12
10211000	8	11732000	10	16510820	7	16815340	10	26431340	12
10211340	8	11733000	10	16511000	7	16815820	10	26431820	12
10214000	9	12		16511820	7	16820000	10	26432000	24
10300000	5	12010000	4	16513000	4	16820820	10	26432140	24
10303180	14	12011000	4	16513820	4	16821000	6	26432340	24
10410000	30	12012000	5	16514000	4	16821820	6	26432820	31
10411000	3	12013000	5	16514820	4	16830000	20	26432990	24
10416000	10	12014000	4	16515000	7	16830340	20	26433000	18
10418000	9	12015000	4	16515820	9	16830820	28	26434180	6
10452180	6	12110000	4	16516000	9	16871000	48	26436000	8
10480000	29	12112000	5	16516820	9	16871820	48	26437000	28
10531000	66	12112450	5	16517000	6	16872000	40	26438000	8
10531140	66	12114000	5	16517820	6	16883820	35	26909180	3
10531340	66	12171000	6	16518000	6	16884000	100	26965000	28
10531820	66	12172000	6	16518820	5	16884340	100	26966000	8
10531990	66	12173000	6	16520000	3	16884820	80	26967000	8
10611000	7	12174000	6	16520820	3	16930180	25	27	
10616000	10	12626000	10	16526000	9	16970180	25	27348000	21
10650180	10	12626140	12	16526820	9	16973180	50	27348340	15
10651000	5	12626340	12	16530000	4	16974180	50	27348820	15
10700000	10	12715000	5	16530820	4	16982180	20	27451000	100
10720000	10	12716000	4	16532000	5	18		27451140	110
10750180	3	13		16532820	5	18010000	4	27451340	110
10751000	3	13586000	50	16534000	6	18020000	2	27451820	110
10754180	11	13587000	25	16534820	6	18310180	3	27515000	160
10755000	11	13588000	39	16535000	4	18311180	3	27515140	160
10820000	5	13594000	38	16535820	4	18312180	2	27515340	160
10820800	5	13603000	15	16536000	4	18313180	2	27515820	160
10821000	6	13609000	64	16540000	6	18355000	2	27830000	8
10821340	6	13610700	48	16540820	6	18355140	2	27830140	8
10821800	6	13611700	24	16541000	8	18355340	2	27830340	8

Packaging units

Please consider the packaging units when placing your order.

Code no.	Number Of Items Per PackingUnit	Code no.	Number Of Items Per PackingUnit	Code no.	Number Of Items Per PackingUnit	Code no.	Number Of Items Per PackingUnit	Code no.	Number Of Items Per PackingUnit
27831000	8	28291000	54	34716000	10	36104340	4	36736000	5
27980000	8	28291670	54	34725000	9	36105000	6	36750000	7
27980140	8	28291700	54	34820000	6	36105340	6	36751000	7
27980340	8	28464000	80	34820800	6	36106000	8	36752000	7
27980820	8	28469000	80	34822000	6	36108000	4	36753000	7
27980990	8	28474000	6	34822800	7	36110000	5	36754000	7
27982000	8	28474340	6	34960000	40	36111000	6	36755000	7
27982820	8	28474820	6	35		36111140	6	36756000	7
27983000	8	28486180	6	35214000	20	36112000	7	36757000	7
27987000	3	28487000	8	35214670	20	36113000	4	36758000	7
27987140	3	28487820	8	35284000	2	36114000	8	36770180	7
27987340	3	28491000	12	35286000	2	36114140	11	36771000	14
27987820	8	28494000	7	35287000	2	36116000	4	36771140	14
27989000	8	28494140	7	35296000	2	36120000	4	36772000	11
27989140	8	28494340	7	35297000	2	36121000	4	36773000	9
27989340	8	28494820	7	35298000	2	36140000	7	36822000	14
27989820	8	28532000	50	35300000	2	36410000	5	38	
27989990	8	28532140	50	35300140	2	36410140	2	38010000	5
27991000	3	28532340	50	35300340	2	36411000	5	38010670	5
28		28532670	27	35301000	2	36425000	17	38010700	5
28011000	6	28622000	32	35301140	2	36455000	9	38112000	9
28022000	6	28622140	32	35302000	2	36455340	9	38113000	9
28112000	35	28622340	34	35303000	2	36655000	12	38113340	9
28112820	35	28622820	34	35305000	2	36655670	12	38115000	9
28116000	30	28624000	32	35306000	2	36702000	11	38116000	9
28116340	30	28626000	25	35308000	2	36703000	3	38116340	9
28116820	30	28626140	34	35312000	2	36703340	3	38116820	9
28120000	10	28626340	34	35313000	2	36704000	5	38119000	9
28127000	32	28626820	34	35314000	2	36705000	9	38119670	9
28128000	32	28790000	6	35314340	2	36706000	9	38119700	9
28227000	64	28791000	6	35316000	2	36707000	10	38120000	9
28227670	64	28792000	6	35317000	2	36707140	10	38120340	9
28227700	64	28793000	6	35317140	2	36707340	10	38120670	9
28228000	36	28794000	6	35317340	2	36707820	10	38120700	9
28228670	36	28795000	6	35317820	2	36708180	3	38130000	10
28228700	36	34		35318000	2	36711000	9	38130340	10
28259000	62	34010000	10	35320000	2	36712000	2	38375000	10
28259670	62	34016000	10	35321000	2	36714000	9	38411000	25
28259700	62	34017000	10	35361180	6	36715000	9	38411670	25
28261000	36	34112000	8	35363180	9	36715140	9	38411700	25
28261670	36	34113000	10	35373000	10	36716000	9	38480000	40
28261700	36	34115000	10	35374000	8	36717000	9	38700000	9
28282000	30	34116000	10	35380000	8	36718000	9	38700340	9
28282140	30	34127000	4	35381000	10	36721000	9	38715000	10
28282340	30	34130000	16	35382000	10	36722000	9	38715340	10
28282670	30	34132000	4	35383000	10	36723000	9	38720000	10
28282700	25	34133000	4	35387000	10	36723140	9	38815000	10
28282820	30	34210000	10	35388000	10	36724000	27	38815800	4
28282990	30	34313000	10	35389000	10	36724140	28	38882000	37
28284000	32	34315000	10	36		36724340	20	38882340	37
28286000	32	34410000	20	36100000	5	36726000	9	38933000	14
28286140	34	34420000	8	36100140	5	36727000	9	38976000	40
28286340	32	34425000	10	36100340	5	36731000	110	38976340	36
28286670	32	34435000	7	36100670	5	36732000	110	39	
28286700	32	34620000	8	36101000	6	36733000	52	39001000	12
28286820	34	34625000	10	36101670	6	36734000	52	39010000	13
28290000	36	34635000	10	36102000	4	36735000	5	39015000	13
28290670	36	34705000	9	36103000	4	36735140	5	39018000	13
28290700	36	34715000	9	36104000	4	36735340	5	39020000	4

Packaging units

Please consider the packaging units when placing your order.

Code no.	Number Of Items Per PackingUnit	Code no.	Number Of Items Per PackingUnit	Code no.	Number Of Items Per PackingUnit	Code no.	Number Of Items Per PackingUnit	Code no.	Number Of Items Per PackingUnit
39021000	4	39716340	10	42137000	200	42626000	4	42823340	14
39022000	12	39720000	9	42137340	200	42626670	4	42823670	14
39023000	12	39725000	9	42137820	200	42639000	14	42826000	24
39024000	12	39832000	4	42436000	10	42639670	14	42826670	24
39024340	7	39835000	4	42520000	4	42644000	7	42830000	18
39031000	7	39835340	4	42520670	4	42644670	7	42830140	18
39032000	5	39835670	4	42520700	4	42649000	6	42830670	18
39034000	2	39835800	4	42520800	4	42649670	6	42832000	10
39034340	2	39840000	6	42521000	4	42654000	16	42832140	10
39035000	12	39840800	6	42521670	4	42654670	16	42832340	6
39037000	4	39850000	4	42521700	4	42655000	4	42832670	10
39071000	12	39850800	4	42521800	4	42655670	4	42833000	8
39081000	12	39860000	4	42522000	4	42656000	11	42833670	8
39112000	10	39860800	8	42522140	2	42656670	11	42834000	9
39113000	10	39861000	4	42522670	4	42657000	10	42834670	9
39115000	10	39861670	4	42522700	4	42657670	10	42835000	8
39116000	10	39861800	7	42522800	4	42661000	9	42835340	8
39117000	9	39862000	4	42523000	4	42661670	9	42835670	8
39117340	9	39863670	4	42523670	4	42683000	4	42835820	2
39118000	9	39920000	28	42523700	4	42683670	4	42836000	15
39119000	8	39925000	28	42523800	4	42801000	50	42836140	15
39121000	8	39960000	52	42524000	4	42801140	50	42836340	15
39133000	4	39965000	52	42524670	4	42801340	50	42836670	15
39134000	4	40		42524700	2	42801670	90	42837000	10
39134340	4	40872000	5	42524800	4	42801800	50	42837140	6
39135000	4	40873000	5	42525000	4	42801820	90	42837670	6
39136000	4	40877180	10	42525670	4	42802000	9	42838000	10
39143000	12	40878180	10	42525700	4	42803000	9	42838340	10
39144000	8	42		42525800	4	42803140	9	42840000	11
39147000	12	42006340	5	42526000	4	42803670	9	42840670	14
39148000	8	42018000	15	42526670	4	42804000	14	42841000	72
39151000	4	42018800	15	42526700	4	42804140	30	42842000	6
39171000	8	42019000	10	42526800	4	42804340	10	42843000	2
39181000	8	42019820	10	42527000	4	42804670	10	42843340	2
39201000	5	42020000	24	42527670	4	42805000	52	42843670	2
39210000	5	42020820	24	42527700	4	42805670	10	42844000	9
39210340	7	42021000	30	42527800	4	42810000	10	42844140	9
39214000	5	42021820	30	42528000	4	42810670	10	42844340	9
39313000	12	42028000	48	42528670	4	42811000	100	42844670	4
39314000	9	42028820	48	42528700	4	42811140	100	42846000	17
39315000	12	42033000	20	42528800	4	42811340	100	42846140	17
39410000	25	42033820	20	42529000	4	42811670	100	42846340	17
39441000	5	42035000	9	42529670	4	42811820	100	42846670	17
39441340	5	42035820	9	42529700	4	42812000	72	42846820	17
39442000	6	42036000	20	42529800	4	42812670	72	42849000	4
39442340	2	42036820	20	42604000	12	42813000	10	42849140	4
39455000	9	42060000	15	42604670	12	42813140	21	42849670	4
39455340	10	42060340	9	42605000	40	42813670	10	42855000	9
39457000	9	42060820	15	42605670	36	42813990	10	42855140	9
39482000	52	42065000	10	42610000	6	42818000	15	42855340	9
39525000	50	42065820	10	42610670	6	42818800	15	42855670	9
39525140	50	42066000	10	42611000	55	42819000	9	42855820	9
39655000	10	42066820	10	42611670	52	42819140	9	42856000	25
39655340	10	42080000	8	42613000	6	42819670	9	42856140	25
39700000	9	42080820	8	42613670	6	42821000	4	42856340	25
39705000	9	42090000	10	42622000	4	42821670	8	42856670	25
39711000	10	42090820	10	42622670	4	42822000	10	42856820	25
39711340	10	42134000	15	42623000	10	42822670	24	42857000	18
39716000	10	42134820	28	42623670	10	42823000	14	42857670	18

Packaging units

Please consider the packaging units when placing your order.

Code no.	Number Of Items Per PackingUnit	Code no.	Number Of Items Per PackingUnit	Code no.	Number Of Items Per PackingUnit	Code no.	Number Of Items Per PackingUnit	Code no.	Number Of Items Per PackingUnit
42858000	6	45713670	3	48010700	4	48494700	2	51305340	30
42858140	16	45713700	2	48020000	4	48495000	5	51305700	30
42858670	6	45720000	16	48020140	6	48495670	5	51305820	30
42860000	6	45720670	14	48020340	6	48495700	5	51305990	30
42860340	6	45720700	10	48020670	4	48496000	3	51306670	52
42860670	6	45721000	80	48020700	4	48496670	3	51306700	52
42870000	28	45721140	80	48020990	4	48496700	3	51307000	50
42871000	100	45722000	8	48030000	4	48651000	21	51307140	42
42872000	3	45723000	29	48030140	4	48651140	28	51307990	50
42872140	3	45723140	29	48030340	4	48651340	28	51309000	100
42872340	3	45723340	29	48030670	4	48651670	21	51310000	100
42872670	3	45723670	29	48030700	4	48651700	21	51312000	100
42872820	3	45723700	29	48030950	4	48651990	28	58	
42872990	3	45723990	29	48050000	2	48791000	6	58307000	10
42873000	7	45770180	11	48050670	2	48791670	6	58308000	20
42873670	7	45771000	13	48050700	2	48791700	6	58316000	10
42880000	4	45771670	13	48060000	2	48792000	6	58317000	10
42880340	4	45771700	14	48060670	2	48792670	6	58318000	10
42880670	4	46		48060700	2	48792700	6	96	
45		46011000	2	48070000	2	48798180	8	96259000	80
45001000	9	46021000	2	48070140	6	49		96441000	12
45002000	5	46031000	2	48070670	2	49010000	10		
45002820	9	46701000	2	48070700	2	49011000	10		
45003000	7	46731000	2	48112000	5	49020000	10		
45004000	4	47		48112340	5	49021000	10		
45005000	9	47010000	7	48112670	5	49030000	10		
45016000	6	47010600	7	48112700	5	49031000	10		
45110000	9	47012000	4	48120000	9	49040000	10		
45110820	9	47012140	4	48120140	9	49041000	10		
45111000	9	47020000	3	48120340	9	49050000	10		
45111820	9	47020600	3	48120670	9	49051000	10		
45112000	9	47022000	4	48120700	9	49110000	9		
45112820	9	47022340	4	48120950	9	49111000	9		
45113000	9	47060000	3	48120990	9	49210000	10		
45113340	9	47060600	3	48210000	13	49211000	10		
45113820	9	47062000	4	48210670	13	49410000	28		
45130000	13	47062340	4	48210700	13	49626000	8		
45133000	4	47210000	7	48490000	21	49700000	9		
45200000	9	47210600	7	48490670	21	49701000	9		
45405000	6	47410000	7	48490700	21	49710000	6		
45407000	9	47410600	7	48491000	2	49711000	6		
45407340	9	47903000	16	48491140	2	51			
45410000	25	47909000	16	48491340	2	51300000	32		
45444000	6	48		48491670	2	51300340	80		
45600000	6	48000000	13	48491700	2	51300820	80		
45600340	6	48000140	6	48491950	2	51301000	104		
45605000	6	48000340	6	48491990	2	51301140	80		
45605340	6	48000670	13	48492000	2	51301250	80		
45710180	6	48000700	13	48492670	2	51301300	80		
45711000	2	48000990	6	48492700	2	51301310	80		
45711670	3	48001000	13	48492950	2	51301330	80		
45712000	3	48001670	13	48493000	2	51301340	80		
45712140	3	48001700	13	48493140	2	51301800	80		
45712340	3	48002000	4	48493340	2	51301950	80		
45712670	3	48002670	4	48493670	2	51301990	80		
45712700	3	48002700	4	48493700	2	51303000	20		
45712990	3	48010000	4	48493990	2	51304000	20		
45713000	2	48010140	4	48494000	2	51305000	27		
45713340	3	48010670	4	48494670	2	51305140	30		

brand	Code no.	EAN	page
01			
AX	01005180	4059625482810	730
AX	01006180	4059625482803	731
AX	01007180	4059625482797	731
AX	01400180	4059625316931	706
AX	01700180	4059625032343	710
AX	01750180	4059625032350	710
10			
AX	10001000	4011097754260	214
AX	10001340	4011097835549	214
AX	10001800	4011097835808	214
AX	10003000	4011097754277	214
AX	10003340	4011097835891	214
AX	10007000	4011097760803	214
AX	10007340	4011097847788	214
AX	10010000	4011097177847	212
AX	10018000	4011097329406	212
AX	10030000	4011097239071	215
AX	10101000	4011097545370	638
AX	10101340	4011097852492	638
AX	10101800	4011097545387	638
AX	10102000	4011097754284	212
AX	10102340	4011097852737	212
AX	10103000	4011097754291	214
AX	10103340	4011097852867	214
AX	10106000	4011097545394	638
AX	10106340	4011097853024	638
AX	10111000	4011097436685	213
AX	10111340	4011097853277	213
AX	10116000	4011097436722	212
AX	10116340	4011097852225	212
AX	10117000	4011097436746	213
AX	10117340	4011097853734	213
AX	10123000	4011097676883	213
AX	10123340	4011097853970	213
AX	10129000	4011097436807	213
AX	10129340	4011097854113	213
AX	10140000	4011097545615	638
AX	10140340	4011097857657	638
AX	10145000	4011097545639	638
AX	10145340	4011097857954	638
AX	10211000	4011097436821	216
AX	10211340	4011097854939	216
AX	10214000	4011097785103	216
AX	10214340	4011097855097	216
AX	10300000	4011097493701	216
AX	10300340	4011097858364	216
AX	10303180	4011097342597	720
AX	10410000	4011097177939	219
AX	10410340	4011097855523	219
AX	10411000	4011097436845	217
AX	10411340	4011097858647	217
AX	10416000	4011097365893	219
AX	10416340	4011097859064	219
AX	10418000	4011097381633	219
AX	10418340	4011097859200	219
AX	10452180	4011097254104	721
AX	10456000	4011097436869	218
AX	10456340	4011097814575	218
AX	10480000	4011097377728	220

brand	Code no.	EAN	page
AX	10480340	4011097861012	220
AX	10531000	4011097678016	224
AX	10531140	4011097820859	224
AX	10531340	4011097820842	224
AX	10531820	4011097820880	493
AX	10531990	4011097820958	224
AX	10611000	4011097436883	221
AX	10611340	4011097861425	221
AX	10616000	4011097365916	221
AX	10616340	4011097861852	221
AX	10621800	4011097585758	460
AX	10623800	4011097585765	459
AX	10625800	4011097585772	460
AX	10627800	4011097585789	460
AX	10628000	4059625029831	458
AX	10629000	4059625030196	458
AX	10637000	4059625030189	459
AX	10650180	4011097594309	730
AX	10651000	4011097594293	565
AX	10700000	4011097338040	222
AX	10700340	4011097862415	222
AX	10720000	4011097338101	222
AX	10720340	4011097863245	222
AX	10750180	4011097594286	726
AX	10751000	4011097593760	564
AX	10754180	4011097625690	726
AX	10755000	4011097625706	563
AX	10820000	4011097488134	675
AX	10820800	4059625144817	675
AX	10821000	4011097688565	674
AX	10821340	4011097955711	674
AX	10821800	4011097688572	674
AX	10822000	4011097688541	674
AX	10822800	4011097688558	674
AX	10823000	4011097693712	683
AX	10823800	4011097694566	683
AX	10902180	4011097306414	719
AX	10921180	4011097678542	733
AX	10922180	4011097814186	732
AX	10924000	4011097677910	475
AX	10925000	4011097679747	476
AX	10925340	4011097831978	476
AX	10929000	4011097679754	475
AX	10932000	4011097594323	565
AX	10941180	4011097678535	735
AX	10942000	4011097678559	476
AX	10971180	4011097594279	727
AX	10972000	4011097594316	564
11			
AX	11020000	4011097598512	352
AX	11021000	4011097598529	352
AX	11024000	4011097634340	353
AX	11025000	4011097604503	352
AX	11026000	4011097613123	353
AX	11035000	4011097684949	352
AX	11040000	4011097613130	354
AX	11041000	4011097613109	354
AX	11042000	4011097597782	354
AX	11043000	4011097597775	354
AX	11220000	4011097598574	356

Code Numbers (HG = hansgrohe, AX = AXOR)

brand	Code no.	EAN	page
AX	11300000	4011097598581	355
AX	11301000	4011097598598	355
AX	11302000	4011097619811	355
AX	11420000	4011097604510	356
AX	11422000	4011097604527	357
AX	11425000	4011097598604	358
AX	11430000	4011097598635	358
AX	11436000	4011097652641	359
AX	11440000	4011097598659	360
AX	11443000	4011097637969	359
AX	11445000	4011097637976	360
AX	11620000	4011097604541	361
AX	11625000	4011097598666	361
AX	11626000	4011097598673	337
AX	11626670	4059625433966	337
AX	11732000	4011097597546	362
AX	11733000	4011097597560	362
AX	11980000	4011097667607	719
12			
AX	12010000	4011097700618	246
AX	12011000	4011097700625	246
AX	12012000	4011097700632	246
AX	12013000	4011097700649	246
AX	12014000	4011097700656	246
AX	12015000	4011097702308	247
AX	12016000	4011097727929	248
AX	12110000	4011097700663	247
AX	12112000	4011097734309	232
AX	12112450	4011097760810	232
AX	12114000	4011097771489	232
AX	12115000	4011097777382	233
AX	12123000	4011097775456	232
AX	12123990	4011097785059	232
AX	12171000	4011097760797	639
AX	12172000	4011097760780	639
AX	12173000	4011097760773	639
AX	12174000	4011097760766	639
AX	12417000	4011097703909	248
AX	12422000	4011097702322	249
AX	12423000	4059625524978	458
AX	12425000	4011097704661	250
AX	12426000	4011097706320	250
AX	12427000	4059625524985	458
AX	12571000	4059625450338	447
AX	12571670	4059625489215	447
AX	12572000	4059625450314	447
AX	12572670	4059625489208	447
AX	12573000	4059625450291	447
AX	12573670	4059625489192	447
AX	12592000	4059625450277	444
AX	12592670	4059625489185	444
AX	12593000	4059625450253	445
AX	12593670	4059625489178	445
AX	12594000	4059625450239	445
AX	12594670	4059625489161	445
AX	12595000	4059625450215	445
AX	12595670	4059625489154	445
AX	12596000	4059625450192	446
AX	12596670	4059625489147	446
AX	12626000	4011097711102	282

brand	Code no.	EAN	page
AX	12626140	4011097824482	282
AX	12626340	4011097824475	282
AX	12626820	4011097825816	511
AX	12626990	4011097825885	282
AX	12670340	4059625435038	535
AX	12670670	4059625442470	535
AX	12670800	4059625435045	535
AX	12671340	4059625435137	535
AX	12671670	4059625442487	535
AX	12671800	4059625435144	535
AX	12672000	4059625435182	534
AX	12672340	4059625435243	534
AX	12672670	4059625442494	534
AX	12672800	4059625435250	534
AX	12676180	4059625450178	736
AX	12715000	4011097702360	251
AX	12716000	4011097702377	251
AX	12918000	4011097703930	720
AX	12922180	4059625521656	732
13			
AX	13586000	4059625032220	718
AX	13587000	4059625032367	711
HG	13588000	4059625477359	706
AX	13594000	4011097702100	717
AX	13603000	4059625080078	732
AX	13609000	4059625329832	719
AX	13610000	4059625329825	715
AX	13610670	4059625329818	715
AX	13610700	4059625464946	715
AX	13611000	4059625329801	715
AX	13611670	4059625329788	715
AX	13611700	4059625464922	715
AX	13623180	4059625032213	718
AX	13625180	4059625329764	718
HG	13632000	4059625464250	707
HG	13637000	4059625534090	707
HG	13638000	4059625536209	707
AX	13640000	4059625560648	708
AX	13640140	4059625560631	708
AX	13640340	4059625560624	708
AX	13640670	4059625560617	708
AX	13640990	4059625560600	708
AX	13641000	4059625560594	708
AX	13641140	4059625560587	708
AX	13641340	4059625560570	708
AX	13641670	4059625560563	708
AX	13641990	4059625560556	708
AX	13642000	4059625560549	708
AX	13642140	4059625560532	708
AX	13642340	4059625560525	708
AX	13642670	4059625560518	708
AX	13642700	4059625560501	708
AX	13642990	4059625560495	708
AX	13643000	4059625560488	709
AX	13643140	4059625560471	709
AX	13643340	4059625560464	709
AX	13643670	4059625560457	709
AX	13643990	4059625560440	709
AX	13645000	4059625560433	709
AX	13645140	4059625560426	709

brand	Code no.	EAN	page
AX	13645340	4059625560419	709
AX	13645670	4059625560402	709
AX	13645990	4059625560297	709
AX	13646000	4059625560280	709
AX	13646140	4059625560273	709
AX	13646340	4059625560266	709
AX	13646670	4059625560259	709
AX	13646700	4059625560242	709
AX	13646990	4059625560235	709
14			
AX	14960000	4011097759777	711
AX	14960340	4011097876207	711
AX	14960820	4011097759784	711
AX	14961000	4011097759791	711
AX	14961340	4011097876344	711
AX	14961820	4011097759807	711
AX	14962000	4011097759814	712
AX	14962820	4011097759821	712
AX	14963000	4011097759838	712
AX	14963820	4011097759845	712
AX	14964000	4011097759852	712
AX	14965000	4011097759869	713
AX	14967000	4011097759883	713
AX	14969000	4011097759906	713
AX	14970000	4011097759913	714
AX	14971000	4011097759920	714
AX	14972000	4011097759937	714
AX	14973000	4011097759944	715
AX	14974000	4011097759951	715
15			
AX	15480180	4059625077498	723
AX	15481180	4059625077528	724
AX	15482180	4059625077566	723
AX	15483180	4059625077580	724
AX	15484180	4059625077603	722
AX	15485180	4059625077627	723
AX	15486180	4059625077658	722
AX	15487180	4059625190241	694
AX	15490180	4059625202883	694
16			
AX	16180180	4011097678894	717
AX	16182180	4011097797427	717
AX	16261000	4011097515137	426
AX	16261340	4011097878416	426
AX	16261820	4011097518237	426
AX	16320000	4011097518527	433
AX	16320340	4011097878546	433
AX	16320820	4011097518534	433
AX	16325000	4011097515144	425
AX	16325340	4011097878683	425
AX	16325820	4011097518558	425
AX	16502000	4011097515168	416
AX	16502340	4011097878935	416
AX	16502820	4011097515175	416
AX	16505000	4011097515229	415
AX	16505340	4011097879062	415
AX	16505820	4011097515236	415
AX	16506000	4011097515250	416
AX	16506340	4011097879192	416
AX	16506820	4011097515267	416

brand	Code no.	EAN	page
AX	16510000	4011097515281	417
AX	16510340	4011097879321	417
AX	16510820	4011097515298	417
AX	16511000	4011097785035	417
AX	16511340	4011097879451	417
AX	16511820	4011097808451	417
AX	16513000	4011097509747	418
AX	16513340	4011097879598	418
AX	16513820	4011097515311	418
AX	16514000	4011097784762	418
AX	16514340	4011097879727	418
AX	16514820	4011097808444	418
AX	16515000	4011097823317	414
AX	16515340	4011097879864	414
AX	16515820	4011097823300	414
AX	16516000	4011097823294	414
AX	16516340	4011097880006	414
AX	16516820	4011097823287	414
AX	16517000	4011097823270	414
AX	16517340	4011097880143	414
AX	16517820	4011097823263	414
AX	16518000	4011097823256	415
AX	16518340	4011097880280	415
AX	16518820	4011097823249	415
AX	16520000	4011097515366	420
AX	16520340	4011097880433	420
AX	16520820	4011097515373	420
AX	16526000	4011097823232	420
AX	16526340	4011097880686	420
AX	16526820	4011097823225	420
AX	16530000	4011097515427	416
AX	16530340	4011097880822	416
AX	16530820	4011097517919	416
AX	16532000	4011097509556	419
AX	16532340	4011097880952	419
AX	16532820	4011097515441	419
AX	16534000	4011097785028	419
AX	16534340	4011097881089	419
AX	16534820	4011097808437	419
AX	16535000	4011097822273	418
AX	16535340	4059625018101	418
AX	16535820	4011097822259	418
AX	16536000	4011097822228	418
AX	16536340	4059625018231	418
AX	16536820	4011097822204	418
AX	16540000	4011097515496	421
AX	16540340	4011097881508	421
AX	16540820	4011097515502	421
AX	16541000	4011097509709	423
AX	16541340	4011097881638	423
AX	16541820	4011097515526	423
AX	16544000	4011097509525	424
AX	16544340	4011097881768	424
AX	16544820	4011097515571	424
AX	16546000	4011097509587	423
AX	16546340	4011097881898	423
AX	16546820	4011097515595	423
AX	16547000	4011097515618	422
AX	16547340	4011097819013	422
AX	16547820	4011097515625	422

Code Numbers (HG = hansgrohe, AX = AXOR)

brand	Code no.	EAN	page
AX	16549180	4011097527062	722
AX	16550000	4011097785011	423
AX	16550340	4011097882024	423
AX	16550820	4011097808420	423
AX	16551000	4011097785004	421
AX	16551340	4011097882161	421
AX	16551820	4011097808413	421
AX	16553000	4011097784885	422
AX	16553340	4011097882307	422
AX	16553820	4011097808390	422
AX	16554000	4011097784878	424
AX	16554340	4011097882444	424
AX	16554820	4011097808383	424
AX	16560000	4011097515649	425
AX	16560340	4011097882581	425
AX	16560820	4011097515656	425
AX	16572000	4011097809694	434
AX	16572340	4011097882840	434
AX	16572820	4011097823218	434
AX	16580000	4011097823201	680
AX	16580340	4011097882987	680
AX	16580800	4011097822891	680
AX	16581000	4011097822884	681
AX	16581340	4011097883120	681
AX	16581800	4011097822877	681
AX	16582000	4011097822860	682
AX	16582800	4011097822853	682
AX	16800000	4011097515724	429
AX	16800340	4011097883403	429
AX	16800820	4011097515731	429
AX	16801000	4011097784861	429
AX	16801340	4011097883533	429
AX	16801800	4011097883588	429
AX	16801820	4011097808314	429
AX	16810000	4011097509570	428
AX	16810340	4011097883670	428
AX	16810820	4011097515755	428
AX	16815000	4011097515779	427
AX	16815340	4011097883809	427
AX	16815820	4011097515786	427
AX	16820000	4011097513935	430
AX	16820340	4011097883939	430
AX	16820820	4011097515809	430
AX	16821000	4011097784854	430
AX	16821340	4011097884066	430
AX	16821820	4011097808307	430
AX	16823000	4011097809687	428
AX	16823340	4011097884202	428
AX	16823820	4011097809670	428
AX	16824000	4011097784847	427
AX	16824340	4011097884349	427
AX	16824820	4011097808291	427
AX	16830000	4011097513928	431
AX	16830340	4011097975092	431
AX	16830820	4011097515823	431
AX	16871000	4011097509518	431
AX	16871340	4011097884486	431
AX	16871820	4011097515847	431
AX	16872000	4011097784823	431
AX	16872340	4011097884615	431

brand	Code no.	EAN	page
AX	16872820	4011097808277	431
AX	16882000	4011097515885	426
AX	16882340	4011097884769	426
AX	16882820	4011097515892	426
AX	16883000	4011097784816	426
AX	16883340	4011097885018	426
AX	16883820	4011097808246	426
AX	16884000	4011097515915	425
AX	16884340	4011097885155	425
AX	16884820	4011097515922	425
AX	16930180	4059625032190	730
AX	16970180	4059625032404	729
AX	16973180	4059625032381	728
AX	16974180	4059625032398	729
AX	16982180	4059625032183	729
18			
AX	18010000	4011097519876	370
AX	18020000	4011097523002	370
AX	18310180	4059625036082	724
AX	18311180	4059625036099	725
AX	18312180	4059625037805	725
AX	18313180	4059625037812	725
AX	18355000	4059625032879	561
AX	18355140	4059625169025	561
AX	18355340	4059625169018	561
AX	18355820	4059625169056	561
AX	18355990	4059625169124	561
AX	18356000	4059625032862	561
AX	18356140	4059625180266	561
AX	18356340	4059625180259	561
AX	18356820	4059625180297	561
AX	18356990	4059625180365	561
AX	18357000	4059625032855	562
AX	18357140	4059625180419	562
AX	18357340	4059625180402	562
AX	18357820	4059625180440	562
AX	18357990	4059625180518	562
AX	18358000	4059625032848	562
AX	18450000	4011097529561	371
19			
AX	19418000	4011097664637	220
AX	19418140	4011097891590	220
AX	19418340	4011097891583	220
AX	19418820	4011097891620	394
AX	19418990	4011097891675	220
26			
AX	26020000	4011097726045	538
AX	26021000	4011097726052	478
AX	26022000	4011097726069	478
AX	26023000	4011097726076	497
AX	26025000	4011097726083	493
AX	26031000	4011097726090	477
AX	26032000	4011097726106	477
AX	26034000	4059625030165	474
AX	26034820	4059625030158	474
AX	26035000	4059625030134	474
AX	26035820	4059625030127	474
AX	26039180	4059625509555	116
AX	26050000	4011097822846	494
AX	26050140	4011097848419	494

brand	Code no.	EAN	page
AX	26050340	4011097848402	494
AX	26050670	4059625411834	494
AX	26050820	4011097848440	494
AX	26050990	4011097848518	494
AX	26051000	4011097822839	494
AX	26051670	4059625411827	494
AX	26431000	4059625030103	487
AX	26431140	4059625136355	487
AX	26431340	4059625136348	487
AX	26431670	4059625400197	487
AX	26431820	4059625030097	487
AX	26431990	4059625136430	487
AX	26432000	4059625030073	485
AX	26432140	4059625123270	485
AX	26432340	4059625123263	485
AX	26432670	4059625400319	485
AX	26432820	4059625030066	485
AX	26432990	4059625124154	485
AX	26433000	4059625030042	485
AX	26433140	4059625124208	485
AX	26433340	4059625124192	485
AX	26433670	4059625400340	485
AX	26433820	4059625030035	485
AX	26433990	4059625124284	485
AX	26434180	4059625032176	734
AX	26436000	4059625398852	487
AX	26436340	4059625402702	487
AX	26436670	4059625400357	487
AX	26437000	4059625400371	485
AX	26437340	4059625402757	485
AX	26437670	4059625400395	485
AX	26438000	4059625400418	485
AX	26438340	4059625402801	485
AX	26438670	4059625400425	485
AX	26909180	4011097734224	733
AX	26965000	4059625400456	485
AX	26965340	4059625402856	485
AX	26965670	4059625400470	485
AX	26966000	4059625399057	485
AX	26966340	4059625402900	485
AX	26966670	4059625399071	485
AX	26967000	4059625398807	487
AX	26967340	4059625402955	487
AX	26967670	4059625399095	487
27			
AX	27348000	4011097822822	488
AX	27348340	4011097892016	488
AX	27348820	4011097822815	488
AX	27451000	4011097265377	507
AX	27451140	4011097828695	507
AX	27451340	4011097828688	507
AX	27451820	4011097830025	507
AX	27451990	4011097830087	507
AX	27515000	4011097245201	506
AX	27515140	4011097830773	506
AX	27515340	4011097830766	506
AX	27515820	4011097536354	506
AX	27515990	4011097830865	506
AX	27830000	4011097484914	226
AX	27830140	4011097893303	226

brand	Code no.	EAN	page
AX	27830340	4011097893280	226
AX	27830820	4011097484921	499
AX	27830990	4011097893488	226
AX	27831000	4011097484891	288
AX	27831340	4011097893563	288
AX	27980000	4011097262574	225
AX	27980140	4011097894102	225
AX	27980340	4011097894089	225
AX	27980820	4011097894164	498
AX	27980990	4011097894300	225
AX	27982000	4011097523453	433
AX	27982340	4011097894683	433
AX	27982820	4011097526539	433
AX	27983000	4011097678023	225
AX	27983140	4011097894942	225
AX	27983340	4011097894935	225
AX	27983820	4011097894973	498
AX	27983990	4011097895048	225
AX	27984000	4059625025710	536
AX	27987000	4011097733098	500
AX	27987140	4011097846590	500
AX	27987340	4011097846576	500
AX	27987820	4011097846651	500
AX	27987990	4011097846798	500
AX	27989000	4011097398792	501
AX	27989140	4011097895376	501
AX	27989340	4011097895352	501
AX	27989820	4011097492711	501
AX	27989990	4011097895550	501
AX	27991000	4011097733104	287
AX	27991340	4011097895611	287
28			
AX	28011000	4059625206683	695
AX	28012000	4059625203019	693
AX	28014000	4059625206669	695
AX	28017000	4059625503485	104
AX	28017140	4059625555637	104
AX	28017340	4059625555644	104
AX	28017670	4059625555668	104
AX	28017820	4059625555651	104
AX	28017990	4059625555675	104
AX	28022000	4059625202999	693
AX	28112000	4011097523835	517
AX	28112340	4011097829036	517
AX	28112820	4011097523842	517
AX	28116000	4011097525556	517
AX	28116340	4011097826622	517
AX	28116820	4011097525563	517
AX	28120000	4011097525587	517
AX	28120340	4011097828909	517
AX	28120820	4011097525594	517
AX	28127000	4059625025659	516
AX	28128000	4059625025628	516
AX	28128820	4059625025611	516
AX	28227000	4059625476765	513
AX	28227140	4059625476758	513
AX	28227250	4059625476741	513
AX	28227300	4059625476734	513
AX	28227310	4059625476727	513
AX	28227330	4059625476710	513

Code Numbers (HG = hansgrohe, AX = AXOR)

brand	Code no.	EAN	page
AX	28227340	4059625476703	513
AX	28227670	4059625476697	513
AX	28227700	4059625476680	513
AX	28227800	4059625476673	513
AX	28227820	4059625476666	513
AX	28227950	4059625476659	513
AX	28227990	4059625476642	513
AX	28228000	4059625477113	514
AX	28228140	4059625477090	514
AX	28228250	4059625477083	514
AX	28228300	4059625477076	514
AX	28228310	4059625477069	514
AX	28228330	4059625477052	514
AX	28228340	4059625477045	514
AX	28228670	4059625477021	514
AX	28228700	4059625477007	514
AX	28228800	4059625476987	514
AX	28228820	4059625476970	514
AX	28228950	4059625476963	514
AX	28228990	4059625476956	514
AX	28259000	4059625476369	512
AX	28259140	4059625476635	512
AX	28259250	4059625476628	512
AX	28259300	4059625476611	512
AX	28259310	4059625476604	512
AX	28259330	4059625476352	512
AX	28259340	4059625476345	512
AX	28259670	4059625476338	512
AX	28259700	4059625476321	512
AX	28259800	4059625476598	512
AX	28259820	4059625476581	512
AX	28259950	4059625476574	512
AX	28259990	4059625476567	512
AX	28261000	4059625476550	513
AX	28261140	4059625476871	513
AX	28261250	4059625476864	513
AX	28261300	4059625476857	513
AX	28261310	4059625476840	513
AX	28261330	4059625476543	513
AX	28261340	4059625476536	513
AX	28261670	4059625476529	513
AX	28261700	4059625476512	513
AX	28261800	4059625476802	513
AX	28261820	4059625476796	513
AX	28261950	4059625476789	513
AX	28261990	4059625476505	513
AX	28282000	4011097239156	150
AX	28282140	4011097840116	150
AX	28282340	4011097840109	150
AX	28282670	4059625294888	150
AX	28282700	4059625346587	150
AX	28282820	4011097665702	516
AX	28282990	4011097840208	150
AX	28284000	4011097239187	149
AX	28284140	4011097846873	149
AX	28284340	4011097846866	149
AX	28284820	4011097846903	515
AX	28284990	4011097846972	149
AX	28286000	4011097239163	149
AX	28286140	4011097847023	149

brand	Code no.	EAN	page
AX	28286340	4011097847016	149
AX	28286670	4059625413500	149
AX	28286700	4059625468890	149
AX	28286820	4011097701103	516
AX	28286990	4011097847115	149
AX	28290000	4059625476314	512
AX	28290140	4059625476307	512
AX	28290250	4059625476291	512
AX	28290300	4059625476284	512
AX	28290310	4059625476277	512
AX	28290330	4059625476260	512
AX	28290340	4059625476253	512
AX	28290670	4059625476246	512
AX	28290700	4059625476239	512
AX	28290800	4059625476222	512
AX	28290820	4059625476215	512
AX	28290950	4059625476208	512
AX	28290990	4059625472590	512
AX	28291000	4059625476499	513
AX	28291140	4059625476482	513
AX	28291250	4059625476475	513
AX	28291300	4059625476468	513
AX	28291310	4059625476451	513
AX	28291330	4059625476444	513
AX	28291340	4059625476437	513
AX	28291670	4059625476420	513
AX	28291700	4059625476413	513
AX	28291800	4059625476406	513
AX	28291820	4059625476390	513
AX	28291950	4059625476383	513
AX	28291990	4059625476376	513
AX	28464000	4011097554266	491
AX	28469000	4011097556963	491
AX	28474000	4011097434902	432
AX	28474340	4059625000687	432
AX	28474820	4011097509013	432
AX	28486180	4011097603308	735
AX	28487000	4011097404905	432
AX	28487340	4059625000281	432
AX	28487820	4011097509006	432
AX	28491000	4011097593784	491
AX	28494000	4011097434025	223
AX	28494140	4011097816401	223
AX	28494340	4011097814353	223
AX	28494820	4011097816135	483
AX	28494990	4011097816562	223
AX	28532000	4011097488516	224
AX	28532140	4011097820712	224
AX	28532340	4011097820705	224
AX	28532670	4059625346518	224
AX	28532820	4011097820743	493
AX	28532990	4011097820804	224
AX	28622000	4059625032145	149
AX	28622140	4059625153918	149
AX	28622340	4059625153895	149
AX	28622670	4059625427842	149
AX	28622820	4059625147801	515
AX	28622990	4059625154076	149
AX	28624000	4059625032169	149
AX	28624140	4059625154175	149

brand	Code no.	EAN	page
AX	28624340	4059625154151	149
AX	28624670	4059625427828	149
AX	28624820	4059625147825	515
AX	28624990	4059625154335	149
AX	28626000	4059625032152	149
AX	28626140	4059625153659	149
AX	28626340	4059625153635	149
AX	28626670	4059625427811	149
AX	28626820	4059625147849	515
AX	28626990	4059625153819	149
AX	28790000	4059625525067	114
AX	28790140	4059625543740	114
AX	28790340	4059625543757	114
AX	28790670	4059625543764	114
AX	28790820	4059625543771	114
AX	28790990	4059625543788	114
AX	28791000	4059625525043	114
AX	28791140	4059625543801	114
AX	28791340	4059625543795	114
AX	28791670	4059625543832	114
AX	28791820	4059625543849	114
AX	28791990	4059625543856	114
AX	28792000	4059625525074	115
AX	28792140	4059625543900	115
AX	28792340	4059625543894	115
AX	28792670	4059625543863	115
AX	28792820	4059625543887	115
AX	28792990	4059625543870	115
AX	28793000	4059625525081	115
AX	28793140	4059625543955	115
AX	28793340	4059625543948	115
AX	28793670	4059625543917	115
AX	28793820	4059625543931	115
AX	28793990	4059625543924	115
AX	28794000	4059625509579	116
AX	28794140	4059625544020	116
AX	28794340	4059625544013	116
AX	28794670	4059625542088	116
AX	28794820	4059625544006	116
AX	28794990	4059625542095	116
AX	28795000	4059625525302	116
AX	28795140	4059625544068	116
AX	28795340	4059625544051	116
AX	28795670	4059625544037	116
AX	28795820	4059625544044	116
AX	28795990	4059625544075	116
AX	28801000	4059625553770	117
AX	28801670	4059625584248	117
AX	28802000	4059625553756	117
AX	28802140	4059625584866	117
AX	28802340	4059625584842	117
AX	28802670	4059625584255	117
AX	28802820	4059625584811	117
AX	28802990	4059625584804	117
34			
AX	34010000	4011097559414	328
AX	34016000	4011097559438	328
AX	34017000	4011097559407	328
AX	34112000	4011097559902	330
AX	34113000	4011097559919	331

brand	Code no.	EAN	page
AX	34115000	4011097559926	330
AX	34116000	4011097559933	331
AX	34127000	4011097559452	328
AX	34130000	4011097655536	329
AX	34132000	4011097705422	329
AX	34133000	4011097559582	331
AX	34210000	4011097559469	332
AX	34313000	4011097559605	332
AX	34315000	4011097559629	332
AX	34410000	4011097559476	334
AX	34420000	4011097559490	333
AX	34425000	4011097559506	333
AX	34427000	4011097559513	333
AX	34435000	4011097559841	338
AX	34444000	4011097559643	334
AX	34454000	4011097559995	335
AX	34620000	4011097559520	335
AX	34625000	4011097559537	336
AX	34635000	4011097559728	338
AX	34705000	4011097559797	340
AX	34715000	4011097559544	339
AX	34716000	4011097559551	339
AX	34725000	4011097559803	340
AX	34820000	4011097688626	679
AX	34820800	4011097688633	679
AX	34822000	4011097688664	679
AX	34822800	4011097688671	679
AX	34920000	4011097559810	341
AX	34960000	4011097559827	341
35			
AX	35214000	4059625428733	488
AX	35214670	4059625428726	488
AX	35274000	4059625003671	473
AX	35275000	4059625003664	473
AX	35276000	4059625003657	473
AX	35277000	4059625003640	474
AX	35278000	4059625003626	473
AX	35279000	4059625003602	474
AX	35280000	4059625003589	473
AX	35281000	4059625003565	473
AX	35282000	4059625003541	472
AX	35283000	4059625003527	472
AX	35284000	4059625184684	466
AX	35286000	4059625184967	467
AX	35287000	4059625185209	468
AX	35288000	4059625033296	734
AX	35296000	4059625184691	466
AX	35297000	4059625184974	467
AX	35298000	4059625185216	468
AX	35300000	4059625184707	466
AX	35300140	4059625239179	466
AX	35300340	4059625239162	466
AX	35300670	4059625428719	466
AX	35300820	4059625239209	466
AX	35300990	4059625239278	466
AX	35301000	4059625184981	467
AX	35301140	4059625240816	467
AX	35301340	4059625240809	467
AX	35301670	4059625428696	467
AX	35301820	4059625240847	467

Code Numbers (HG = hansgrohe, AX = AXOR)

brand	Code no.	EAN	page
AX	35301990	4059625240915	467
AX	35302000	4059625185223	468
AX	35302140	4059625237922	468
AX	35302340	4059625237915	468
AX	35302670	4059625428672	468
AX	35302820	4059625237953	468
AX	35302990	4059625238035	468
AX	35303000	4059625184950	466
AX	35303140	4059625239322	466
AX	35303340	4059625239315	466
AX	35303670	4059625428665	466
AX	35303820	4059625239353	466
AX	35303990	4059625239421	466
AX	35304000	4059625184998	467
AX	35304140	4059625240960	467
AX	35304340	4059625240953	467
AX	35304670	4059625428641	467
AX	35304820	4059625240991	467
AX	35304990	4059625241066	467
AX	35305000	4059625185230	468
AX	35305140	4059625238080	468
AX	35305340	4059625238073	468
AX	35305670	4059625428634	468
AX	35305820	4059625238110	468
AX	35305990	4059625238189	468
AX	35306000	4059625185247	469
AX	35308000	4059625185285	470
AX	35309000	4059625185322	471
AX	35310000	4059625185254	469
AX	35312000	4059625185292	470
AX	35313000	4059625185339	471
AX	35314000	4059625185261	469
AX	35314140	4059625238561	469
AX	35314340	4059625238554	469
AX	35314820	4059625238592	469
AX	35314990	4059625238660	469
AX	35316000	4059625185308	470
AX	35316140	4059625239896	470
AX	35316340	4059625239889	470
AX	35316820	4059625240229	470
AX	35316990	4059625240298	470
AX	35317000	4059625185346	471
AX	35317140	4059625237298	471
AX	35317340	4059625237281	471
AX	35317820	4059625237328	471
AX	35317990	4059625237397	471
AX	35318000	4059625185278	469
AX	35318140	4059625238714	469
AX	35318340	4059625238707	469
AX	35318820	4059625238745	469
AX	35318990	4059625238813	469
AX	35320000	4059625185315	470
AX	35320140	4059625240342	470
AX	35320340	4059625240335	470
AX	35320820	4059625240373	470
AX	35320990	4059625240441	470
AX	35321000	4059625185353	471
AX	35321140	4059625237458	471
AX	35321340	4059625237441	471
AX	35321820	4059625237489	471

brand	Code no.	EAN	page
AX	35321990	4059625237557	471
AX	35361180	4059625184639	733
AX	35363180	4059625184646	734
AX	35373000	4059625405147	479
AX	35373340	4059625415009	479
AX	35373670	4059625415276	479
AX	35374000	4059625405154	479
AX	35374340	4059625414798	479
AX	35374670	4059625415269	479
AX	35380000	4059625405208	481
AX	35380340	4059625414781	481
AX	35380670	4059625415252	481
AX	35381000	4059625405215	481
AX	35381340	4059625414774	481
AX	35381670	4059625415245	481
AX	35382000	4059625405178	480
AX	35382340	4059625414767	480
AX	35382670	4059625415238	480
AX	35383000	4059625405185	480
AX	35383340	4059625414750	480
AX	35383670	4059625415221	480
AX	35387000	4059625405161	479
AX	35387340	4059625414743	479
AX	35387670	4059625415214	479
AX	35388000	4059625405192	480
AX	35388340	4059625414736	480
AX	35388670	4059625415207	480
AX	35389000	4059625405222	481
AX	35389340	4059625414729	481
AX	35389670	4059625415191	481
36			
AX	36100000	4011097751573	301
AX	36100140	4011097817187	301
AX	36100340	4011097817170	301
AX	36100670	4059625427507	301
AX	36101000	4011097751566	301
AX	36101140	4011097818139	301
AX	36101340	4011097818122	301
AX	36101670	4059625427477	301
AX	36101800	4011097818184	301
AX	36102000	4011097751559	300
AX	36102140	4011097818283	300
AX	36102340	4011097818276	300
AX	36103000	4011097751542	302
AX	36103140	4011097817989	302
AX	36103340	4011097817972	302
AX	36104000	4011097751535	302
AX	36104140	4011097818634	302
AX	36104340	4011097818627	302
AX	36104670	4059625427460	302
AX	36105000	4011097751528	302
AX	36105140	4011097903354	302
AX	36105340	4011097903347	302
AX	36106000	4011097751511	303
AX	36106140	4011097825946	303
AX	36106340	4011097825939	303
AX	36106670	4059625427422	303
AX	36108000	4011097751498	304
AX	36108140	4011097819150	304
AX	36108340	4011097819143	304

brand	Code no.	EAN	page
AX	36108670	4059625427361	304
AX	36110000	4011097755946	301
AX	36110140	4011097819457	301
AX	36110340	4011097819440	301
AX	36110670	4059625427330	301
AX	36111000	4011097755953	302
AX	36111140	4011097819709	302
AX	36111340	4011097819594	302
AX	36111670	4059625427309	302
AX	36112000	4011097755960	300
AX	36112140	4011097903507	300
AX	36112340	4011097903491	300
AX	36113000	4011097755977	302
AX	36113140	4011097903651	302
AX	36113340	4059625091708	302
AX	36113670	4059625426982	302
AX	36114000	4011097751603	303
AX	36114140	4011097826790	303
AX	36114340	4011097826783	303
AX	36116000	4011097751597	304
AX	36116140	4011097819303	304
AX	36116340	4011097819297	304
AX	36120000	4011097751467	305
AX	36120140	4011097818788	305
AX	36120340	4011097818771	305
AX	36120670	4059625426968	305
AX	36121000	4011097755984	305
AX	36121140	4059625091685	305
AX	36121340	4011097903798	305
AX	36130000	4011097785134	305
AX	36130140	4011097903958	305
AX	36130340	4011097903941	305
AX	36130670	4059625428627	305
AX	36140000	4011097751443	311
AX	36140140	4011097904108	311
AX	36140340	4011097904092	311
AX	36410000	4011097751429	310
AX	36410140	4011097904405	310
AX	36410340	4011097904399	310
AX	36410670	4059625435625	310
AX	36411000	4011097751412	309
AX	36411140	4011097904559	309
AX	36411340	4011097904542	309
AX	36411670	4059625435298	309
AX	36412000	4011097751405	308
AX	36412140	4011097904702	308
AX	36412340	4011097904696	308
AX	36416000	4011097751399	306
AX	36416140	4011097814209	306
AX	36416340	4011097814094	306
AX	36416670	4059625426944	306
AX	36425000	4011097751382	306
AX	36425140	4011097904856	306
AX	36425340	4011097904849	306
AX	36425670	4059625427668	306
AX	36455000	4011097815800	307
AX	36455140	4011097905006	307
AX	36455340	4011097904993	307
AX	36455670	4059625427644	307
AX	36457000	4011097815794	307

brand	Code no.	EAN	page
AX	36457140	4011097905150	307
AX	36457340	4011097905143	307
AX	36655000	4011097815770	310
AX	36655140	4011097905303	310
AX	36655340	4011097905297	310
AX	36655670	4059625427620	310
AX	36701180	4011097755588	726
AX	36702000	4011097755571	313
AX	36702140	4011097905457	313
AX	36702340	4011097905440	313
AX	36702670	4059625427606	313
AX	36703000	4011097755564	311
AX	36703140	4011097905600	311
AX	36703340	4011097905594	311
AX	36703670	4059625427583	311
AX	36704000	4011097755557	312
AX	36704140	4011097905754	312
AX	36704340	4011097905747	312
AX	36704670	4059625427569	312
AX	36705000	4011097755540	569
AX	36706000	4011097755533	567
AX	36707000	4011097755526	570
AX	36707140	4011097817446	570
AX	36707340	4011097817439	570
AX	36707670	4059625428870	570
AX	36707820	4011097817477	570
AX	36707990	4011097817545	570
AX	36708180	4011097755519	726
AX	36711000	4011097755502	567
AX	36711670	4059625428610	567
AX	36712000	4011097790268	571
AX	36714000	4011097779416	569
AX	36715000	4011097779409	570
AX	36715140	4011097841274	570
AX	36715340	4011097841267	570
AX	36715670	4059625428849	570
AX	36715820	4011097841304	570
AX	36715990	4011097841373	570
AX	36716000	4011097779393	567
AX	36717000	4011097779386	568
AX	36718000	4011097779379	566
AX	36721000	4011097779362	566
AX	36721820	4011097906539	566
AX	36722000	4011097779355	569
AX	36722820	4011097906683	569
AX	36723000	4011097779348	570
AX	36723140	4011097841427	570
AX	36723340	4011097841410	570
AX	36723670	4059625428818	570
AX	36723820	4011097841458	570
AX	36723990	4011097841526	570
AX	36724000	4011097755496	315
AX	36724140	4011097821009	315
AX	36724340	4011097820996	315
AX	36724670	4059625427095	315
AX	36724820	4011097821030	509
AX	36724990	4011097821108	315
AX	36726000	4011097779331	567
AX	36726820	4011097906980	567
AX	36727000	4011097779324	568

Code Numbers (HG = hansgrohe, AX = AXOR)

brand	Code no.	EAN	page
AX	36727820	4011097907130	568
AX	36731000	4059625031490	508
AX	36731140	4059625080351	508
AX	36731340	4059625080337	508
AX	36731670	4059625428597	508
AX	36731820	4059625080511	508
AX	36731990	4059625080658	508
AX	36732000	4059625031919	507
AX	36732140	4059625080757	507
AX	36732340	4059625080733	507
AX	36732820	4059625080818	507
AX	36732990	4059625080955	507
AX	36733000	4059625031957	336
AX	36733340	4059625434727	336
AX	36733670	4059625435649	336
AX	36734000	4059625031933	337
AX	36734340	4059625434819	337
AX	36734670	4059625435663	337
AX	36735000	4011097755472	316
AX	36735140	4011097821160	316
AX	36735340	4011097821153	316
AX	36735820	4011097848747	502
AX	36735990	4011097821252	316
AX	36736000	4011097789330	317
AX	36736140	4011097907253	317
AX	36736340	4011097907246	317
AX	36736820	4011097801346	503
AX	36736990	4011097907345	317
AX	36750000	4059625539705	553
AX	36750140	4059625552469	553
AX	36750340	4059625552452	553
AX	36750670	4059625552445	553
AX	36750700	4059625552438	553
AX	36750820	4059625552421	553
AX	36750990	4059625552414	553
AX	36751000	4059625539712	554
AX	36751140	4059625552407	554
AX	36751340	4059625552391	554
AX	36751670	4059625552384	554
AX	36751700	4059625552377	554
AX	36751820	4059625552360	554
AX	36751990	4059625552353	554
AX	36752000	4059625539729	553
AX	36752140	4059625552346	553
AX	36752340	4059625552339	553
AX	36752670	4059625552322	553
AX	36752820	4059625552315	553
AX	36752990	4059625552308	553
AX	36753000	4059625539736	554
AX	36753140	4059625551691	554
AX	36753340	4059625551684	554
AX	36753670	4059625552667	554
AX	36753820	4059625552650	554
AX	36753990	4059625552643	554
AX	36754000	4059625539743	109
AX	36754140	4059625552636	109
AX	36754340	4059625552629	109
AX	36754670	4059625552612	109
AX	36754820	4059625552605	109
AX	36754990	4059625552599	109

brand	Code no.	EAN	page
AX	36755000	4059625539750	110
AX	36755140	4059625552582	110
AX	36755340	4059625552575	110
AX	36755670	4059625552568	110
AX	36755820	4059625552551	110
AX	36755990	4059625552544	110
AX	36756000	4059625539767	552
AX	36756140	4059625552537	552
AX	36756340	4059625552520	552
AX	36756670	4059625552513	552
AX	36756700	4059625552506	552
AX	36756820	4059625552490	552
AX	36756990	4059625552483	552
AX	36757000	4059625539774	552
AX	36757140	4059625552476	552
AX	36757340	4059625552841	552
AX	36757670	4059625552834	552
AX	36757820	4059625552827	552
AX	36757990	4059625552810	552
AX	36758000	4059625539781	108
AX	36758140	4059625552803	108
AX	36758340	4059625552797	108
AX	36758670	4059625552780	108
AX	36758820	4059625552773	108
AX	36758990	4059625552766	108
AX	36759000	4059625539798	555
AX	36759140	4059625552759	555
AX	36759340	4059625552742	555
AX	36759670	4059625552735	555
AX	36759700	4059625552728	555
AX	36759820	4059625552711	555
AX	36759990	4059625552704	555
AX	36770180	4011097755465	728
AX	36771000	4011097755458	313
AX	36771140	4011097907390	313
AX	36771340	4011097907383	313
AX	36771670	4059625427545	313
AX	36772000	4011097755441	314
AX	36772140	4011097907543	314
AX	36772340	4011097907536	314
AX	36772670	4059625427521	314
AX	36773000	4011097755434	568
AX	36773670	4059625428580	568
AX	36774000	4059625539804	555
AX	36774140	4059625552698	555
AX	36774340	4059625552681	555
AX	36774670	4059625552674	555
AX	36774820	4059625553046	555
AX	36774990	4059625553039	555
AX	36775000	4059625539811	111
AX	36775140	4059625553022	111
AX	36775340	4059625553015	111
AX	36775670	4059625553008	111
AX	36775820	4059625552995	111
AX	36775990	4059625552988	111
AX	36776000	4059625539828	557
AX	36776140	4059625552971	557
AX	36776340	4059625552964	557
AX	36776670	4059625552957	557
AX	36776700	4059625552940	557

brand	Code no.	EAN	page
AX	36776820	4059625552933	557
AX	36776990	4059625552926	557
AX	36777000	4059625539835	557
AX	36777140	4059625552919	557
AX	36777340	4059625552902	557
AX	36777670	4059625552896	557
AX	36777820	4059625552889	557
AX	36777990	4059625552872	557
AX	36778000	4059625539842	112
AX	36778140	4059625552865	112
AX	36778340	4059625552858	112
AX	36778670	4059625553237	112
AX	36778820	4059625553220	112
AX	36778990	4059625553213	112
AX	36779000	4059625539859	559
AX	36779140	4059625553206	559
AX	36779340	4059625553190	559
AX	36779670	4059625553183	559
AX	36779700	4059625553176	559
AX	36779820	4059625553169	559
AX	36779990	4059625553152	559
AX	36780000	4059625539866	559
AX	36780140	4059625553145	559
AX	36780340	4059625553138	559
AX	36780670	4059625553121	559
AX	36780820	4059625553114	559
AX	36780990	4059625553107	559
AX	36781000	4059625539873	113
AX	36781140	4059625553091	113
AX	36781340	4059625553084	113
AX	36781670	4059625553077	113
AX	36781820	4059625553060	113
AX	36781990	4059625553053	113
AX	36822000	4011097755427	315
AX	36822140	4011097848877	315
AX	36822340	4011097848860	315
38			
AX	38010000	4011097806518	146
AX	38010670	4059625338216	146
AX	38010700	4059625468791	146
AX	38010820	4059625020234	391
AX	38112000	4011097412979	387
AX	38112340	4011097909486	387
AX	38112820	4011097909523	387
AX	38113000	4011097413051	386
AX	38113340	4011097841731	386
AX	38113820	4011097841854	386
AX	38115000	4011097413013	387
AX	38115340	4011097909639	387
AX	38115820	4011097909677	387
AX	38116000	4011097413099	386
AX	38116340	4011097842165	386
AX	38116820	4011097842202	386
AX	38119000	4011097677873	147
AX	38119340	4011097909783	147
AX	38119670	4059625366066	147
AX	38119700	4059625468784	147
AX	38119820	4011097909820	640
AX	38120000	4011097677880	147
AX	38120340	4011097909936	147

brand	Code no.	EAN	page
AX	38120670	4059625366073	147
AX	38120700	4059625468777	147
AX	38120820	4011097909974	641
AX	38130000	4011097366142	215
AX	38130340	4011097910086	215
AX	38130820	4011097910123	384
AX	38375000	4011097345154	400
AX	38411000	4011097849317	147
AX	38411340	4059625019283	147
AX	38411670	4059625331781	147
AX	38411700	4059625468760	147
AX	38411820	4011097989556	397
AX	38412000	4011097849300	148
AX	38412340	4059625019412	148
AX	38412670	4059625331774	148
AX	38412700	4059625468753	148
AX	38412820	4011097989518	396
AX	38480000	4011097377742	394
AX	38480340	4011097911694	394
AX	38480820	4011097911731	394
AX	38700000	4011097345116	400
AX	38700340	4011097912141	400
AX	38700820	4011097912172	400
AX	38715000	4011097478456	399
AX	38715340	4011097912271	399
AX	38715820	4011097912318	399
AX	38720000	4011097345130	401
AX	38720340	4011097912424	401
AX	38720820	4011097912455	401
AX	38815000	4011097688701	680
AX	38815340	4011097876047	680
AX	38815800	4011097688718	680
AX	38882000	4011097331188	403
AX	38882340	4011097912820	403
AX	38882820	4011097912851	403
AX	38933000	4011097331164	402
AX	38933340	4011097912950	402
AX	38933820	4011097912981	402
AX	38959000	4011097705101	737
AX	38960000	4011097704647	736
AX	38976000	4011097331133	402
AX	38976340	4011097913087	402
AX	38976820	4011097913117	402
39			
AX	39001000	4059625358030	264
AX	39001340	4059625372456	264
AX	39001800	4059625373897	264
AX	39010000	4011097391274	265
AX	39010340	4011097913230	265
AX	39015000	4011097391281	264
AX	39015340	4011097913681	264
AX	39018000	4011097485461	265
AX	39018340	4011097914114	265
AX	39020000	4011097480640	265
AX	39020340	4011097914268	265
AX	39021000	4059625329337	266
AX	39021340	4059625373149	266
AX	39022000	4059625329290	264
AX	39022340	4059625372517	264
AX	39023000	4059625329276	266

Code Numbers (HG = hansgrohe, AX = AXOR)

brand	Code no.	EAN	page
AX	39023340	4059625372906	266
AX	39024000	4059625329245	266
AX	39024340	4059625373026	266
AX	39031000	4011097648910	265
AX	39031340	4011097914411	265
AX	39032000	4011097648927	265
AX	39032340	4011097914565	265
AX	39034000	4011097648941	267
AX	39034340	4059625211700	267
AX	39035000	4011097648903	264
AX	39035340	4011097914718	264
AX	39037000	4011097646626	267
AX	39071000	4059625358047	266
AX	39071340	4059625372968	266
AX	39081000	4059625358054	266
AX	39081340	4059625373088	266
AX	39112000	4011097488608	268
AX	39112340	4011097914862	268
AX	39113000	4011097488622	269
AX	39113340	4011097915012	269
AX	39115000	4011097488646	268
AX	39115340	4011097915166	268
AX	39116000	4011097488660	269
AX	39116340	4011097915319	269
AX	39117000	4011097677897	640
AX	39117340	4011097915463	640
AX	39118000	4011097678009	640
AX	39118340	4011097915616	640
AX	39119000	4059625329221	268
AX	39119340	4059625373279	268
AX	39121000	4059625329191	269
AX	39121340	4059625373491	269
AX	39133000	4011097400563	271
AX	39133340	4011097915760	271
AX	39134000	4011097400587	270
AX	39134340	4011097915913	270
AX	39135000	4011097400600	271
AX	39135340	4011097916057	271
AX	39136000	4011097400624	270
AX	39136340	4011097916194	270
AX	39143000	4011097400686	272
AX	39143340	4011097916347	272
AX	39144000	4011097400709	271
AX	39144340	4011097916491	271
AX	39147000	4011097400365	272
AX	39147340	4011097916644	272
AX	39148000	4011097400389	271
AX	39148340	4011097916798	271
AX	39151000	4059625358061	266
AX	39151340	4059625373200	266
AX	39171000	4059625358078	268
AX	39171340	4059625373439	268
AX	39181000	4059625358719	269
AX	39181340	4059625373552	269
AX	39201000	4059625358726	273
AX	39201340	4059625373675	273
AX	39201800	4059625375020	273
AX	39210000	4011097648958	273
AX	39210340	4011097917245	273
AX	39214000	4059625329160	273

brand	Code no.	EAN	page
AX	39214340	4059625373613	273
AX	39313000	4011097400648	272
AX	39313340	4011097917399	272
AX	39314000	4011097400662	271
AX	39314340	4011097998909	271
AX	39315000	4011097400723	272
AX	39315340	4011097917542	272
AX	39410000	4011097400761	278
AX	39410340	4011097917993	278
AX	39436000	4011097650852	279
AX	39436340	4011097918143	279
AX	39440000	4059625329146	274
AX	39440340	4059625373736	274
AX	39441000	4011097488769	276
AX	39441340	4011097918297	276
AX	39442000	4011097488783	276
AX	39442340	4011097918440	276
AX	39445000	4011097400785	280
AX	39445340	4011097918594	280
AX	39446000	4011097400808	280
AX	39446340	4011097918747	280
AX	39447000	4011097488806	277
AX	39447340	4011097918891	277
AX	39448000	4011097488820	277
AX	39448340	4011097919041	277
AX	39451000	4011097545691	274
AX	39451340	4011097919195	274
AX	39453000	4011097399638	281
AX	39453340	4011097919348	281
AX	39454000	4011097400846	281
AX	39454340	4011097919492	281
AX	39455000	4011097400501	275
AX	39455340	4011097919645	275
AX	39457000	4011097400525	275
AX	39457340	4011097919799	275
AX	39471000	4059625358733	274
AX	39471340	4059625373798	274
AX	39480000	4011097488844	278
AX	39480340	4011097919942	278
AX	39482000	4011097488868	278
AX	39482340	4011097920092	278
AX	39525000	4011097488882	283
AX	39525140	4011097920252	283
AX	39525340	4011097920245	283
AX	39525820	4011097560526	506
AX	39525990	4011097920344	283
AX	39655000	4011097400891	282
AX	39655340	4011097920689	282
AX	39700000	4011097400983	284
AX	39700340	4011097920986	284
AX	39705000	4011097400969	284
AX	39705340	4011097921136	284
AX	39711000	4011097478388	283
AX	39711340	4011097921280	283
AX	39716000	4011097478470	283
AX	39716340	4011097921433	283
AX	39720000	4011097401027	285
AX	39720340	4011097921587	285
AX	39725000	4011097401003	285
AX	39725340	4011097921730	285

brand	Code no.	EAN	page
AX	39832000	4059625196779	678
AX	39832670	4059625440520	678
AX	39832800	4059625304105	678
AX	39835000	4011097518763	678
AX	39835340	4011097842462	678
AX	39835670	4059625427255	678
AX	39835800	4011097527215	678
AX	39840000	4011097518770	678
AX	39840800	4011097520506	678
AX	39850000	4011097518756	677
AX	39850340	4011097922027	677
AX	39850800	4011097519012	677
AX	39860000	4011097783277	676
AX	39860340	4011097922164	676
AX	39860800	4011097783284	676
AX	39861000	4011097783291	677
AX	39861340	4011097922300	677
AX	39861670	4059625427224	677
AX	39861800	4011097783307	677
AX	39862000	4059625176320	675
AX	39862340	4059625202388	675
AX	39862670	4059625427187	675
AX	39862800	4059625176306	675
AX	39863000	4059625257890	676
AX	39863340	4059625293775	676
AX	39863670	4059625427163	676
AX	39863800	4059625257906	676
AX	39882000	4011097401140	286
AX	39882340	4011097922454	286
AX	39883000	4011097401126	286
AX	39883340	4011097922751	286
AX	39920000	4011097401102	286
AX	39920340	4011097923048	286
AX	39925000	4011097401089	286
AX	39925340	4011097923192	286
AX	39960000	4011097401065	285
AX	39960340	4011097923345	285
AX	39965000	4011097401041	285
AX	39965340	4011097923499	285
40			
AX	40872000	4011097594002	566
AX	40873000	4011097594217	566
AX	40877180	4011097601755	735
AX	40878180	4011097601748	735
42			
AX	42000000	4059625450475	656
AX	42000140	4059625490853	656
AX	42000340	4059625490846	656
AX	42000670	4059625490839	656
AX	42001000	4059625450451	656
AX	42001140	4059625490822	656
AX	42001340	4059625490815	656
AX	42001670	4059625490808	656
AX	42002000	4059625450437	657
AX	42002140	4059625490792	657
AX	42002340	4059625490785	657
AX	42002670	4059625490778	657
AX	42003000	4059625450413	657
AX	42003140	4059625490761	657
AX	42003340	4059625490754	657

brand	Code no.	EAN	page
AX	42003670	4059625490747	657
AX	42004000	4059625450390	657
AX	42004140	4059625490730	657
AX	42004340	4059625490723	657
AX	42004670	4059625490716	657
AX	42005000	4059625450376	658
AX	42005140	4059625490709	658
AX	42005340	4059625490297	658
AX	42005670	4059625490280	658
AX	42006000	4059625450352	658
AX	42006140	4059625490273	658
AX	42006340	4059625490266	658
AX	42006670	4059625490259	658
AX	42018000	4059625131640	683
AX	42018330	4059625297421	683
AX	42018340	4059625297414	683
AX	42018800	4059625131657	683
AX	42019000	4011097516127	627
AX	42019340	4011097936970	627
AX	42019820	4011097516134	627
AX	42020000	4011097516158	629
AX	42020340	4011097937229	629
AX	42020820	4011097516165	629
AX	42021000	4011097516189	629
AX	42021340	4011097937366	629
AX	42021820	4011097516196	629
AX	42028000	4011097516219	630
AX	42028340	4011097937618	630
AX	42028820	4011097516226	630
AX	42033000	4011097516271	627
AX	42033340	4011097938011	627
AX	42033820	4011097516288	627
AX	42035000	4011097516332	630
AX	42035340	4011097938271	630
AX	42035820	4011097516349	630
AX	42036000	4011097516363	630
AX	42036340	4011097938530	630
AX	42036820	4011097516370	630
AX	42060000	4011097516400	628
AX	42060340	4011097939056	628
AX	42060820	4011097516417	628
AX	42065000	4011097516431	628
AX	42065340	4011097939315	628
AX	42065820	4011097516448	628
AX	42066000	4011097516462	628
AX	42066340	4011097939575	628
AX	42066820	4011097516479	628
AX	42080000	4011097516493	628
AX	42080340	4011097939834	628
AX	42080820	4011097516509	628
AX	42090000	4011097516523	631
AX	42090340	4011097940083	631
AX	42090820	4011097516530	631
AX	42134000	4011097516554	627
AX	42134340	4011097940229	627
AX	42134820	4011097516561	627
AX	42137000	4011097516585	629
AX	42137340	4011097940489	629
AX	42137820	4011097516592	629
AX	42300000	4011097535302	371

Code Numbers (HG = hansgrohe, AX = AXOR)

brand	Code no.	EAN	page
AX	42305000	4011097535319	370
AX	42436000	4011097598789	624
AX	42520000	4059625480212	688
AX	42520140	4059625480182	688
AX	42520340	4059625480168	688
AX	42520670	4059625480137	688
AX	42520700	4059625480106	688
AX	42520800	4059625480076	688
AX	42520990	4059625480045	688
AX	42521000	4059625480021	688
AX	42521140	4059625479995	688
AX	42521340	4059625479971	688
AX	42521670	4059625479940	688
AX	42521700	4059625479919	688
AX	42521800	4059625469224	688
AX	42521990	4059625479865	688
AX	42522000	4059625479841	688
AX	42522140	4059625479810	688
AX	42522340	4059625479780	688
AX	42522670	4059625479759	688
AX	42522700	4059625480694	688
AX	42522800	4059625454824	688
AX	42522990	4059625480649	688
AX	42523000	4059625480625	689
AX	42523140	4059625480595	689
AX	42523340	4059625480571	689
AX	42523670	4059625480540	689
AX	42523700	4059625480519	689
AX	42523800	4059625458754	689
AX	42523990	4059625480465	689
AX	42524000	4059625480441	689
AX	42524140	4059625480410	689
AX	42524340	4059625480397	689
AX	42524670	4059625480366	689
AX	42524700	4059625480335	689
AX	42524800	4059625480304	689
AX	42524990	4059625480274	689
AX	42525000	4059625480250	690
AX	42525140	4059625480229	690
AX	42525340	4059625481172	690
AX	42525670	4059625481141	690
AX	42525700	4059625481110	690
AX	42525800	4059625481080	690
AX	42525990	4059625481059	690
AX	42526000	4059625481035	690
AX	42526140	4059625481004	690
AX	42526340	4059625480984	690
AX	42526670	4059625480953	690
AX	42526700	4059625480922	690
AX	42526800	4059625469217	690
AX	42526990	4059625480878	690
AX	42527000	4059625480854	690
AX	42527140	4059625480823	690
AX	42527340	4059625480809	690
AX	42527670	4059625480779	690
AX	42527700	4059625480748	690
AX	42527800	4059625480717	690
AX	42527990	4059625481660	690
AX	42528000	4059625481646	690
AX	42528140	4059625481615	690

brand	Code no.	EAN	page
AX	42528340	4059625481592	690
AX	42528670	4059625481561	690
AX	42528700	4059625481530	690
AX	42528800	4059625454831	690
AX	42528990	4059625481486	690
AX	42529000	4059625481462	690
AX	42529140	4059625481431	690
AX	42529340	4059625481417	690
AX	42529670	4059625481387	690
AX	42529700	4059625481356	690
AX	42529800	4059625481325	690
AX	42529990	4059625481295	690
AX	42530000	4059625604489	633
AX	42530140	4059625604472	633
AX	42530340	4059625604427	633
AX	42530670	4059625604410	633
AX	42530700	4059625604403	633
AX	42530820	4059625604380	633
AX	42530990	4059625604366	633
AX	42604000	4059625422502	604
AX	42604140	4059625422489	604
AX	42604340	4059625422434	604
AX	42604670	4059625422410	604
AX	42604820	4059625422380	604
AX	42604990	4059625422359	604
AX	42605000	4059625422335	604
AX	42605140	4059625422311	604
AX	42605340	4059625422267	604
AX	42605670	4059625422243	604
AX	42605820	4059625422212	604
AX	42605990	4059625422182	604
AX	42610000	4059625422168	604
AX	42610140	4059625422144	604
AX	42610340	4059625421895	604
AX	42610670	4059625421871	604
AX	42610820	4059625421840	604
AX	42610990	4059625423004	604
AX	42611000	4059625422984	606
AX	42611140	4059625422960	606
AX	42611340	4059625422915	606
AX	42611670	4059625422892	606
AX	42611820	4059625422861	606
AX	42611990	4059625422830	606
AX	42613000	4059625422816	605
AX	42613140	4059625422793	605
AX	42613340	4059625422748	605
AX	42613670	4059625422724	605
AX	42613820	4059625422694	605
AX	42613990	4059625422663	605
AX	42622000	4059625422649	605
AX	42622140	4059625422625	605
AX	42622340	4059625422571	605
AX	42622670	4059625422557	605
AX	42622820	4059625422526	605
AX	42622990	4059625423493	605
AX	42623000	4059625423479	606
AX	42623140	4059625423455	606
AX	42623340	4059625423400	606
AX	42623670	4059625423387	606
AX	42623820	4059625423356	606

brand	Code no.	EAN	page
AX	42623990	4059625423325	606
AX	42626000	4059625423301	605
AX	42626140	4059625423288	605
AX	42626340	4059625423233	605
AX	42626670	4059625423219	605
AX	42626820	4059625423189	605
AX	42626990	4059625423158	605
AX	42639000	4059625423134	607
AX	42639140	4059625423110	607
AX	42639340	4059625423066	607
AX	42639670	4059625423042	607
AX	42639820	4059625423011	607
AX	42639990	4059625423981	607
AX	42644000	4059625423967	607
AX	42644140	4059625423943	607
AX	42644340	4059625423899	607
AX	42644670	4059625423875	607
AX	42644820	4059625423844	607
AX	42644990	4059625423813	607
AX	42649000	4059625423790	609
AX	42649140	4059625423776	609
AX	42649340	4059625423721	609
AX	42649670	4059625423707	609
AX	42649820	4059625423677	609
AX	42649990	4059625423646	609
AX	42654000	4059625423622	608
AX	42654140	4059625423608	608
AX	42654340	4059625423554	608
AX	42654670	4059625423530	608
AX	42654820	4059625424506	608
AX	42654990	4059625424476	608
AX	42655000	4059625424452	609
AX	42655140	4059625424438	609
AX	42655340	4059625424384	609
AX	42655670	4059625424360	609
AX	42655820	4059625424339	609
AX	42655990	4059625424308	609
AX	42656000	4059625424285	608
AX	42656140	4059625424261	608
AX	42656340	4059625424216	608
AX	42656670	4059625424193	608
AX	42656820	4059625424162	608
AX	42656990	4059625424131	608
AX	42657000	4059625424117	608
AX	42657140	4059625424094	608
AX	42657340	4059625424049	608
AX	42657670	4059625424025	608
AX	42657820	4059625424896	608
AX	42657990	4059625424865	608
AX	42661000	4059625424841	606
AX	42661140	4059625424827	606
AX	42661340	4059625424773	606
AX	42661670	4059625424759	606
AX	42661820	4059625424728	606
AX	42661990	4059625424698	606
AX	42683000	4059625424674	607
AX	42683140	4059625424650	607
AX	42683340	4059625424605	607
AX	42683670	4059625424582	607
AX	42683820	4059625424551	607

brand	Code no.	EAN	page
AX	42683990	4059625424520	607
AX	42801000	4011097752396	619
AX	42801140	4011097821979	619
AX	42801340	4011097821955	619
AX	42801670	4059625433744	619
AX	42801800	4011097822457	619
AX	42801820	4011097795010	619
AX	42801990	4011097822556	619
AX	42802000	4011097752389	622
AX	42802140	4011097822938	622
AX	42802340	4011097822914	622
AX	42802820	4011097794990	622
AX	42802990	4011097823119	622
AX	42803000	4011097752372	618
AX	42803140	4011097824598	618
AX	42803340	4011097824574	618
AX	42803670	4059625428566	618
AX	42803820	4011097794976	618
AX	42803990	4011097824772	618
AX	42804000	4059625367643	610
AX	42804140	4059625388662	610
AX	42804340	4059625388617	610
AX	42804670	4059625367650	610
AX	42804700	4059625367667	610
AX	42804820	4059625388594	610
AX	42804990	4059625388563	610
AX	42805000	4059625367612	610
AX	42805140	4059625387566	610
AX	42805340	4059625387511	610
AX	42805670	4059625367629	610
AX	42805700	4059625367636	610
AX	42805820	4059625387498	610
AX	42805990	4059625387467	610
AX	42810000	4059625367674	610
AX	42810140	4059625388556	610
AX	42810340	4059625388501	610
AX	42810670	4059625367681	610
AX	42810700	4059625367698	610
AX	42810820	4059625388488	610
AX	42810990	4059625388457	610
AX	42811000	4059625367285	613
AX	42811140	4059625387450	613
AX	42811340	4059625387405	613
AX	42811670	4059625367292	613
AX	42811700	4059625367308	613
AX	42811820	4059625387382	613
AX	42811990	4059625387351	613
AX	42812000	4059625367315	613
AX	42812140	4059625387344	613
AX	42812340	4059625387290	613
AX	42812670	4059625367322	613
AX	42812700	4059625367339	613
AX	42812820	4059625387276	613
AX	42812990	4059625387245	613
AX	42813000	4059625367438	611
AX	42813140	4059625387238	611
AX	42813340	4059625387184	611
AX	42813670	4059625367445	611
AX	42813700	4059625367452	611
AX	42813820	4059625387160	611

Code Numbers (HG = hansgrohe, AX = AXOR)

brand	Code no.	EAN	page
AX	42813990	4059625387139	611
AX	42818000	4059625182840	683
AX	42818330	4059625297407	683
AX	42818340	4059625297391	683
AX	42818670	4059625428559	683
AX	42818800	4059625182857	683
AX	42819000	4011097755601	617
AX	42819140	4011097820477	617
AX	42819340	4011097820453	617
AX	42819670	4059625428535	617
AX	42819820	4011097794952	617
AX	42819990	4011097820651	617
AX	42821000	4011097752365	619
AX	42821140	4011097824857	619
AX	42821340	4011097824833	619
AX	42821670	4059625428528	619
AX	42821820	4011097794938	619
AX	42821990	4011097825038	619
AX	42822000	4059625367551	612
AX	42822140	4059625388440	612
AX	42822340	4059625388396	612
AX	42822670	4059625367568	612
AX	42822700	4059625367575	612
AX	42822820	4059625388372	612
AX	42822990	4059625388341	612
AX	42823000	4059625367407	612
AX	42823140	4059625387122	612
AX	42823340	4059625387078	612
AX	42823670	4059625367414	612
AX	42823700	4059625367421	612
AX	42823820	4059625387054	612
AX	42823990	4059625387023	612
AX	42826000	4059625367469	612
AX	42826140	4059625388112	612
AX	42826340	4059625388068	612
AX	42826670	4059625367476	612
AX	42826700	4059625367483	612
AX	42826820	4059625388044	612
AX	42826990	4059625388013	612
AX	42830000	4011097752358	618
AX	42830140	4011097826141	618
AX	42830340	4011097826127	618
AX	42830670	4059625428511	618
AX	42830820	4011097794914	618
AX	42830990	4011097826325	618
AX	42832000	4011097752341	620
AX	42832140	4011097827261	620
AX	42832340	4011097827247	620
AX	42832670	4059625428498	620
AX	42832820	4011097794891	620
AX	42832990	4011097827544	620
AX	42833000	4011097752334	620
AX	42833140	4011097827629	620
AX	42833340	4011097827605	620
AX	42833670	4059625428474	620
AX	42833820	4011097794877	620
AX	42833990	4011097827803	620
AX	42834000	4011097752327	617
AX	42834140	4011097827889	617
AX	42834340	4011097827865	617

brand	Code no.	EAN	page
AX	42834670	4059625428467	617
AX	42834820	4011097794853	617
AX	42834990	4011097828060	617
AX	42835000	4011097752310	625
AX	42835140	4011097828145	625
AX	42835340	4011097828121	625
AX	42835670	4059625428450	625
AX	42835820	4011097794839	625
AX	42835990	4011097828329	625
AX	42836000	4011097752303	624
AX	42836140	4011097829319	624
AX	42836340	4011097829296	624
AX	42836670	4059625428436	624
AX	42836820	4011097794815	624
AX	42836990	4011097829494	624
AX	42837000	4059625026915	623
AX	42837140	4059625083901	623
AX	42837340	4059625083895	623
AX	42837670	4059625428412	623
AX	42837820	4059625083567	623
AX	42837990	4059625083994	623
AX	42838000	4011097752198	621
AX	42838140	4011097829579	621
AX	42838340	4011097829555	621
AX	42838820	4011097794495	621
AX	42838990	4011097829753	621
AX	42840000	4059625026694	621
AX	42840140	4059625083734	621
AX	42840340	4059625083727	621
AX	42840670	4059625428405	621
AX	42840820	4059625083543	621
AX	42840990	4059625083826	621
AX	42841000	4011097755595	626
AX	42842000	4059625026908	621
AX	42843000	4059625367582	614
AX	42843140	4059625388334	614
AX	42843340	4059625388280	614
AX	42843670	4059625367599	614
AX	42843700	4059625367605	614
AX	42843820	4059625388266	614
AX	42843990	4059625388235	614
AX	42844000	4059625368510	614
AX	42844140	4059625388228	614
AX	42844340	4059625388174	614
AX	42844670	4059625368503	614
AX	42844700	4059625368497	614
AX	42844820	4059625388150	614
AX	42844990	4059625388129	614
AX	42846000	4059625026922	623
AX	42846140	4059625094884	623
AX	42846340	4059625094877	623
AX	42846670	4059625428382	623
AX	42846820	4059625088203	623
AX	42846990	4059625094976	623
AX	42848000	4059625368480	616
AX	42848670	4059625368473	616
AX	42848700	4059625368466	616
AX	42849000	4059625368459	616
AX	42849140	4059625389218	616
AX	42849340	4059625389164	616

brand	Code no.	EAN	page
AX	42849670	4059625368442	616
AX	42849700	4059625368435	616
AX	42849820	4059625389140	616
AX	42849990	4059625389119	616
AX	42855000	4059625367704	615
AX	42855140	4059625389102	615
AX	42855340	4059625389058	615
AX	42855670	4059625367711	615
AX	42855700	4059625367728	615
AX	42855820	4059625389034	615
AX	42855990	4059625389003	615
AX	42856000	4059625367346	615
AX	42856140	4059625388990	615
AX	42856340	4059625388945	615
AX	42856670	4059625367353	615
AX	42856700	4059625367360	615
AX	42856820	4059625388921	615
AX	42856990	4059625388891	615
AX	42857000	4059625367377	615
AX	42857140	4059625388006	615
AX	42857340	4059625387955	615
AX	42857670	4059625367384	615
AX	42857700	4059625367391	615
AX	42857820	4059625387931	615
AX	42857990	4059625387900	615
AX	42858000	4059625368428	615
AX	42858140	4059625388884	615
AX	42858340	4059625388839	615
AX	42858670	4059625368411	615
AX	42858700	4059625368404	615
AX	42858820	4059625388815	615
AX	42858990	4059625388785	615
AX	42860000	4059625367490	613
AX	42860140	4059625387894	613
AX	42860340	4059625387849	613
AX	42860670	4059625367506	613
AX	42860700	4059625367513	613
AX	42860820	4059625387825	613
AX	42860990	4059625387795	613
AX	42870000	4011097753706	625
AX	42870140	4011097829814	625
AX	42870340	4011097829807	625
AX	42870670	4059625428375	625
AX	42870820	4011097799124	625
AX	42870990	4011097829906	625
AX	42871000	4011097753690	625
AX	42871140	4011097944791	625
AX	42871340	4011097944784	625
AX	42871670	4059625428351	625
AX	42871820	4011097794471	625
AX	42871990	4011097944883	625
AX	42872000	4059625367735	616
AX	42872140	4059625388778	616
AX	42872340	4059625388723	616
AX	42872670	4059625367742	616
AX	42872700	4059625367759	616
AX	42872820	4059625388709	616
AX	42872990	4059625388679	616
AX	42873000	4059625367766	611
AX	42873140	4059625387788	611

brand	Code no.	EAN	page
AX	42873340	4059625387733	611
AX	42873670	4059625367773	611
AX	42873700	4059625367780	611
AX	42873820	4059625387719	611
AX	42873990	4059625387689	611
AX	42880000	4059625367520	613
AX	42880140	4059625387672	613
AX	42880340	4059625387627	613
AX	42880670	4059625367537	613
AX	42880700	4059625367544	613
AX	42880820	4059625387603	613
AX	42880990	4059625387573	613
45			
AX	45001000	4011097816760	382
AX	45001340	4059625033548	382
AX	45001800	4059625033593	382
AX	45001820	4011097982663	382
AX	45002000	4011097816753	383
AX	45002340	4059625013670	383
AX	45002820	4011097982687	383
AX	45003000	4011097816746	383
AX	45003340	4059625013809	383
AX	45003820	4011097982700	383
AX	45004000	4011097816739	383
AX	45004340	4059625033678	383
AX	45004820	4011097982724	383
AX	45005000	4011097816722	382
AX	45005340	4059625013939	382
AX	45005820	4011097982649	382
AX	45016000	4011097982618	383
AX	45016340	4059625075937	383
AX	45016820	4011097982625	383
AX	45037000	4011097849485	389
AX	45037340	4059625015247	389
AX	45037820	4011097982939	389
AX	45110000	4011097832432	390
AX	45110340	4059625082355	390
AX	45110820	4059625082393	390
AX	45111000	4011097832425	390
AX	45111340	4059625082508	390
AX	45111820	4059625082546	390
AX	45112000	4011097982854	385
AX	45112340	4059625015377	385
AX	45112820	4011097982861	385
AX	45113000	4011097982885	385
AX	45113340	4059625015506	385
AX	45113820	4011097982892	385
AX	45130000	4011097982748	384
AX	45130340	4059625014844	384
AX	45130820	4011097982755	384
AX	45133000	4011097849478	388
AX	45133340	4059625014974	388
AX	45133820	4011097982793	388
AX	45200000	4011097815961	391
AX	45200340	4059625016237	391
AX	45200820	4011097982977	391
AX	45405000	4011097849461	393
AX	45405340	4059625018897	393
AX	45405820	4011097983387	393
AX	45407000	4011097849454	393

Code Numbers (HG = hansgrohe, AX = AXOR)

brand	Code no.	EAN	page
AX	45407340	4059625019023	393
AX	45407820	4011097983400	393
AX	45410000	4011097849430	147
AX	45410340	4059625019801	147
AX	45410820	4011097989570	397
AX	45412000	4011097849423	148
AX	45412340	4059625019931	148
AX	45412820	4011097989532	396
AX	45416000	4011097849416	392
AX	45416340	4059625032626	392
AX	45416820	4011097983288	392
AX	45444000	4011097849393	395
AX	45444340	4059625020067	395
AX	45444820	4011097983240	395
AX	45600000	4011097849386	397
AX	45600340	4059625016497	397
AX	45600820	4011097983035	397
AX	45605000	4011097849379	398
AX	45605340	4059625019153	398
AX	45605820	4011097983202	398
AX	45710180	4011097789309	727
AX	45711000	4011097788999	137
AX	45711140	4011097825090	137
AX	45711340	4011097825083	137
AX	45711670	4059625331767	137
AX	45711700	4059625469200	137
AX	45711950	4011097825076	137
AX	45711990	4011097825199	137
AX	45712000	4011097788982	137
AX	45712140	4011097824307	137
AX	45712340	4011097824291	137
AX	45712670	4059625331743	137
AX	45712700	4059625469170	137
AX	45712950	4011097824284	137
AX	45712990	4011097824406	137
AX	45713000	4011097788975	138
AX	45713140	4011097824154	138
AX	45713340	4011097824147	138
AX	45713670	4059625331712	138
AX	45713700	4059625469132	138
AX	45713950	4011097824130	138
AX	45713990	4011097824253	138
AX	45720000	4011097790022	145
AX	45720140	4059625087961	145
AX	45720340	4059625087954	145
AX	45720670	4059625331682	145
AX	45720700	4059625469095	145
AX	45720950	4059625087947	145
AX	45720990	4059625088067	145
AX	45721000	4011097788968	507
AX	45721140	4011097822693	507
AX	45721340	4011097822686	507
AX	45721820	4011097803326	507
AX	45721990	4011097822785	507
AX	45722000	4011097790039	496
AX	45722140	4059625088999	496
AX	45722340	4059625088982	496
AX	45722950	4059625088975	496
AX	45722990	4059625089194	496
AX	45723000	4011097789910	145

brand	Code no.	EAN	page
AX	45723140	4011097822341	145
AX	45723340	4011097822334	145
AX	45723670	4059625331675	145
AX	45723700	4059625469088	145
AX	45723820	4011097822372	145
AX	45723950	4011097822327	145
AX	45723990	4011097822648	145
AX	45770180	4011097789903	728
AX	45771000	4011097789798	138
AX	45771140	4011097823348	138
AX	45771340	4011097823331	138
AX	45771670	4059625331644	138
AX	45771700	4059625469057	138
AX	45771950	4011097823324	138
AX	45771990	4011097823447	138
AX	45790000	4011097807980	727
46			
AX	46011000	4059625149041	164
AX	46021000	4059625149362	164
AX	46031000	4059625149348	164
AX	46041000	4059625149324	166
AX	46051000	4059625149300	165
AX	46061000	4059625149287	165
AX	46211000	4059625190210	167
AX	46411000	4059625190074	169
AX	46441000	4059625149201	168
AX	46470000	4059625203958	167
AX	46521000	4059625149164	169
AX	46701000	4059625149140	170
AX	46711000	4059625149126	170
AX	46721000	4059625189948	170
AX	46731000	4059625149096	170
AX	46741000	4059625189924	171
AX	46751000	4059625149072	171
AX	46761000	4059625149058	172
AX	46771000	4059625189900	172
47			
AX	47010000	4059625161401	188
AX	47010600	4059625161555	188
AX	47010670	4059625450727	188
AX	47012000	4059625186190	188
AX	47012140	4059625201862	188
AX	47012340	4059625201855	188
AX	47012670	4059625450703	188
AX	47020000	4059625161388	189
AX	47020600	4059625161531	189
AX	47020670	4059625450925	189
AX	47022000	4059625186121	189
AX	47022140	4059625202609	189
AX	47022340	4059625202197	189
AX	47022670	4059625450901	189
AX	47030000	4059625450666	188
AX	47030600	4059625450642	188
AX	47030670	4059625450628	188
AX	47032000	4059625450611	188
AX	47032140	4059625503515	188
AX	47032340	4059625503508	188
AX	47032670	4059625450864	188
AX	47040000	4059625161364	193
AX	47040600	4059625161517	193

brand	Code no.	EAN	page
AX	47040670	4059625451120	193
AX	47042000	4059625186114	193
AX	47042140	4059625256244	193
AX	47042340	4059625256237	193
AX	47042670	4059625451113	193
AX	47050000	4059625161340	190
AX	47050600	4059625161494	190
AX	47050670	4059625450840	190
AX	47052000	4059625186138	191
AX	47052140	4059625203989	191
AX	47052340	4059625203972	191
AX	47052670	4059625450826	191
AX	47060000	4059625161326	189
AX	47060600	4059625161470	189
AX	47060670	4059625450789	189
AX	47062000	4059625186145	190
AX	47062140	4059625202050	190
AX	47062340	4059625202043	190
AX	47062670	4059625450765	190
AX	47070000	4059625450598	191
AX	47070600	4059625450574	191
AX	47070670	4059625451106	191
AX	47072000	4059625450550	191
AX	47072140	4059625502297	191
AX	47072340	4059625502280	191
AX	47072670	4059625451090	191
AX	47080000	4059625450536	191
AX	47080600	4059625450512	191
AX	47080670	4059625451076	191
AX	47082000	4059625450499	192
AX	47082140	4059625502273	192
AX	47082340	4059625502266	192
AX	47082670	4059625451069	192
AX	47210000	4059625161302	193
AX	47210600	4059625161456	193
AX	47210670	4059625451045	193
AX	47212000	4059625186152	194
AX	47212140	4059625201664	194
AX	47212340	4059625201657	194
AX	47212670	4059625451038	194
AX	47410000	4059625161296	196
AX	47410600	4059625161449	196
AX	47410670	4059625451021	196
AX	47412000	4059625186169	196
AX	47412140	4059625208878	196
AX	47412340	4059625208861	196
AX	47412670	4059625451007	196
AX	47430000	4059625161289	195
AX	47430600	4059625161432	195
AX	47430670	4059625450994	195
AX	47432000	4059625186176	196
AX	47432140	4059625212509	196
AX	47432340	4059625212196	196
AX	47432670	4059625450987	196
AX	47440000	4059625161272	194
AX	47440600	4059625161425	194
AX	47440670	4059625484722	194
AX	47442000	4059625186183	195
AX	47442140	4059625256398	195
AX	47442340	4059625256381	195

brand	Code no.	EAN	page
AX	47442670	4059625450949	195
AX	47900000	4059625189023	198
AX	47900600	4059625189030	198
AX	47901000	4059625189047	198
AX	47901600	4059625189054	198
AX	47902000	4059625189061	198
AX	47902600	4059625189221	198
AX	47903000	4059625189214	197
AX	47903140	4059625212936	197
AX	47903340	4059625212929	197
AX	47903670	4059625451175	197
AX	47904000	4059625189207	197
AX	47904140	4059625213087	197
AX	47904340	4059625213070	197
AX	47904670	4059625451151	197
AX	47905000	4059625189191	197
AX	47905140	4059625217139	197
AX	47905340	4059625217122	197
AX	47905670	4059625451137	197
AX	47906000	4059625189184	198
AX	47907000	4059625189177	198
AX	47908000	4059625189160	198
AX	47909000	4059625189153	199
AX	47910000	4059625189146	199
AX	47911000	4059625189139	199
AX	47913000	4059625189122	199
AX	47914000	4059625189115	199
AX	47915000	4059625189108	199
AX	47916000	4059625189092	200
AX	47917000	4059625189085	200
AX	47918000	4059625189078	200
AX	47921000	4059625306529	200
AX	47922000	4059625306536	200
AX	47923000	4059625306512	200
AX	47924000	4059625306543	201
AX	47925000	4059625306550	201
AX	47926000	4059625306567	202
48			
AX	48000000	4059625329733	133
AX	48000140	4059625371763	133
AX	48000340	4059625369234	133
AX	48000670	4059625366318	133
AX	48000700	4059625470077	133
AX	48000950	4059625371756	133
AX	48000990	4059625369272	133
AX	48001000	4059625329719	133
AX	48001140	4059625371855	133
AX	48001340	4059625369357	133
AX	48001670	4059625329696	133
AX	48001700	4059625470053	133
AX	48001800	4059625371886	133
AX	48001950	4059625371848	133
AX	48001990	4059625369395	133
AX	48002000	4059625329672	133
AX	48002140	4059625371947	133
AX	48002340	4059625369418	133
AX	48002670	4059625329641	133
AX	48002700	4059625470022	133
AX	48002950	4059625371930	133
AX	48002990	4059625369456	133

Code Numbers (HG = hansgrohe, AX = AXOR)

brand	Code no.	EAN	page
AX	48010000	4059625331583	128
AX	48010140	4059625370506	128
AX	48010340	4059625370490	128
AX	48010670	4059625331569	128
AX	48010700	4059625469965	128
AX	48010950	4059625370483	128
AX	48010990	4059625370605	128
AX	48020000	4059625331545	128
AX	48020140	4059625370643	128
AX	48020340	4059625369111	128
AX	48020670	4059625331507	128
AX	48020700	4059625469941	128
AX	48020950	4059625370636	128
AX	48020990	4059625369159	128
AX	48030000	4059625331354	128
AX	48030140	4059625370735	128
AX	48030340	4059625369173	128
AX	48030670	4059625331316	128
AX	48030700	4059625469897	128
AX	48030950	4059625370728	128
AX	48030990	4059625369210	128
AX	48050000	4059625331262	131
AX	48050140	4059625370988	131
AX	48050340	4059625370971	131
AX	48050670	4059625331231	131
AX	48050700	4059625469842	131
AX	48050950	4059625370964	131
AX	48050990	4059625371183	131
AX	48060000	4059625331187	129
AX	48060140	4059625370834	129
AX	48060340	4059625370827	129
AX	48060670	4059625331149	129
AX	48060700	4059625469781	129
AX	48060950	4059625370810	129
AX	48060990	4059625370933	129
AX	48070000	4059625331095	130
AX	48070140	4059625371237	130
AX	48070340	4059625371220	130
AX	48070670	4059625331064	130
AX	48070700	4059625469743	130
AX	48070950	4059625371213	130
AX	48070990	4059625371336	130
AX	48112000	4059625331026	132
AX	48112140	4059625371374	132
AX	48112340	4059625369296	132
AX	48112670	4059625330999	132
AX	48112700	4059625469705	132
AX	48112950	4059625371367	132
AX	48112990	4059625369333	132
AX	48120000	4059625329511	134
AX	48120140	4059625372036	134
AX	48120340	4059625369487	134
AX	48120670	4059625329498	134
AX	48120700	4059625469651	134
AX	48120950	4059625372029	134
AX	48120990	4059625369524	134
AX	48210000	4059625330944	135
AX	48210140	4059625372135	135
AX	48210340	4059625372128	135
AX	48210670	4059625330920	135

brand	Code no.	EAN	page
AX	48210700	4059625469620	135
AX	48210950	4059625372111	135
AX	48210990	4059625372234	135
AX	48440000	4059625330913	136
AX	48440140	4059625372272	136
AX	48440340	4059625369548	136
AX	48440670	4059625330883	136
AX	48440700	4059625469613	136
AX	48440950	4059625372265	136
AX	48440990	4059625369586	136
AX	48490000	4059625330722	141
AX	48490140	4059625364055	141
AX	48490340	4059625364048	141
AX	48490670	4059625330708	141
AX	48490700	4059625469491	141
AX	48490950	4059625364031	141
AX	48490990	4059625364154	141
AX	48491000	4059625330685	142
AX	48491140	4059625364208	142
AX	48491340	4059625364192	142
AX	48491670	4059625330678	142
AX	48491700	4059625469484	142
AX	48491950	4059625364185	142
AX	48491990	4059625364307	142
AX	48492000	4059625330661	142
AX	48492140	4059625364451	142
AX	48492340	4059625368879	142
AX	48492670	4059625330647	142
AX	48492700	4059625469460	142
AX	48492950	4059625364444	142
AX	48492990	4059625368916	142
AX	48493000	4059625330623	143
AX	48493140	4059625369630	143
AX	48493340	4059625369623	143
AX	48493670	4059625330616	143
AX	48493700	4059625469446	143
AX	48493950	4059625369616	143
AX	48493990	4059625369739	143
AX	48494000	4059625322680	143
AX	48494140	4059625369777	143
AX	48494340	4059625368930	143
AX	48494670	4059625330593	143
AX	48494700	4059625469422	143
AX	48494950	4059625369760	143
AX	48494990	4059625368978	143
AX	48495000	4059625330579	486
AX	48495140	4059625369876	486
AX	48495340	4059625369869	486
AX	48495670	4059625330562	486
AX	48495700	4059625469415	486
AX	48495950	4059625369852	486
AX	48495990	4059625369975	486
AX	48496000	4059625330555	486
AX	48496140	4059625370025	486
AX	48496340	4059625370018	486
AX	48496670	4059625330531	486
AX	48496700	4059625469392	486
AX	48496950	4059625370001	486
AX	48496990	4059625370124	486
AX	48651000	4059625330456	144

brand	Code no.	EAN	page
AX	48651140	4059625364352	144
AX	48651340	4059625368817	144
AX	48651670	4059625330432	144
AX	48651700	4059625469354	144
AX	48651950	4059625364345	144
AX	48651990	4059625368855	144
AX	48790000	4059625330371	139
AX	48790140	4059625370162	139
AX	48790340	4059625368992	139
AX	48790670	4059625330357	139
AX	48790700	4059625469309	139
AX	48790950	4059625370155	139
AX	48790990	4059625369036	139
AX	48791000	4059625330333	140
AX	48791140	4059625370254	140
AX	48791340	4059625369050	140
AX	48791670	4059625330326	140
AX	48791700	4059625469286	140
AX	48791950	4059625370247	140
AX	48791990	4059625369098	140
AX	48792000	4059625330319	141
AX	48792140	4059625370353	141
AX	48792340	4059625370346	141
AX	48792670	4059625328897	141
AX	48792700	4059625469262	141
AX	48792950	4059625370339	141
AX	48792990	4059625370452	141
AX	48798180	4059625329368	140
49			
AX	49010000	4059625558409	94
AX	49010140	4059625558393	94
AX	49010340	4059625558386	94
AX	49010670	4059625558379	94
AX	49010820	4059625558362	94
AX	49010990	4059625558355	94
AX	49011000	4059625558348	94
AX	49011140	4059625558331	94
AX	49011340	4059625558324	94
AX	49011670	4059625558317	94
AX	49011820	4059625558300	94
AX	49011990	4059625558294	94
AX	49020000	4059625558287	94
AX	49020140	4059625558270	94
AX	49020340	4059625558263	94
AX	49020670	4059625558256	94
AX	49020820	4059625558249	94
AX	49020990	4059625558232	94
AX	49021000	4059625558225	95
AX	49021140	4059625558607	95
AX	49021340	4059625558591	95
AX	49021670	4059625558218	95
AX	49021820	4059625558584	95
AX	49021990	4059625558577	95
AX	49030000	4059625558560	95
AX	49030140	4059625558553	95
AX	49030340	4059625558546	95
AX	49030670	4059625558539	95
AX	49030820	4059625558522	95
AX	49030990	4059625558515	95
AX	49031000	4059625558508	95

brand	Code no.	EAN	page
AX	49031140	4059625558492	95
AX	49031340	4059625558485	95
AX	49031670	4059625558478	95
AX	49031820	4059625558461	95
AX	49031990	4059625558454	95
AX	49040000	4059625558447	95
AX	49040140	4059625558805	95
AX	49040340	4059625558799	95
AX	49040670	4059625558430	95
AX	49040820	4059625558423	95
AX	49040990	4059625558416	95
AX	49041000	4059625558782	95
AX	49041140	4059625558775	95
AX	49041340	4059625558768	95
AX	49041670	4059625558751	95
AX	49041820	4059625558744	95
AX	49041990	4059625558737	95
AX	49050000	4059625558720	95
AX	49050140	4059625558713	95
AX	49050340	4059625558706	95
AX	49050670	4059625558690	95
AX	49050820	4059625558683	95
AX	49050990	4059625558676	95
AX	49051000	4059625558669	96
AX	49051140	4059625558652	96
AX	49051340	4059625558645	96
AX	49051670	4059625558638	96
AX	49051820	4059625558621	96
AX	49051990	4059625558614	96
AX	49060000	4059625559000	98
AX	49060140	4059625558997	98
AX	49060340	4059625558980	98
AX	49060670	4059625558973	98
AX	49060820	4059625558966	98
AX	49060990	4059625558959	98
AX	49061000	4059625558942	98
AX	49061140	4059625558935	98
AX	49061340	4059625558928	98
AX	49061670	4059625558911	98
AX	49061820	4059625558904	98
AX	49061990	4059625558898	98
AX	49070000	4059625558881	99
AX	49070140	4059625558874	99
AX	49070340	4059625558867	99
AX	49070670	4059625558850	99
AX	49070820	4059625558843	99
AX	49070990	4059625558836	99
AX	49071000	4059625558829	99
AX	49071140	4059625559208	99
AX	49071340	4059625559192	99
AX	49071670	4059625558812	99
AX	49071820	4059625559185	99
AX	49071990	4059625559178	99
AX	49110000	4059625559161	97
AX	49110140	4059625559154	97
AX	49110340	4059625559147	97
AX	49110670	4059625559130	97
AX	49110820	4059625559123	97
AX	49110990	4059625559116	97
AX	49111000	4059625559109	97

Code Numbers (HG = hansgrohe, AX = AXOR)

brand	Code no.	EAN	page
AX	49111140	4059625559093	97
AX	49111340	4059625559086	97
AX	49111670	4059625559079	97
AX	49111820	4059625559062	97
AX	49111990	4059625559055	97
AX	49210000	4059625559048	99
AX	49210140	4059625559406	99
AX	49210340	4059625559390	99
AX	49210670	4059625559031	99
AX	49210820	4059625559024	99
AX	49210990	4059625559017	99
AX	49211000	4059625559383	100
AX	49211140	4059625559376	100
AX	49211340	4059625559369	100
AX	49211670	4059625559352	100
AX	49211820	4059625559345	100
AX	49211990	4059625559338	100
AX	49410000	4059625559598	105
AX	49410140	4059625559581	105
AX	49410340	4059625559574	105
AX	49410670	4059625559567	105
AX	49410820	4059625559550	105
AX	49410990	4059625559543	105
AX	49430000	4059625559536	103
AX	49430140	4059625559529	103
AX	49430340	4059625559512	103
AX	49430670	4059625559505	103
AX	49430820	4059625559499	103
AX	49430990	4059625559482	103
AX	49431000	4059625559475	104
AX	49431140	4059625559468	104
AX	49431340	4059625559451	104
AX	49431670	4059625559444	104
AX	49431820	4059625559437	104
AX	49431990	4059625559420	104
AX	49440000	4059625559321	100
AX	49440140	4059625559314	100
AX	49440340	4059625559307	100
AX	49440670	4059625559291	100
AX	49440820	4059625559284	100
AX	49440990	4059625559277	100
AX	49441000	4059625559260	101
AX	49441140	4059625559253	101
AX	49441340	4059625559246	101
AX	49441670	4059625559239	101
AX	49441820	4059625559222	101
AX	49441990	4059625559215	101
AX	49449000	4059625559413	104
AX	49480000	4059625559741	101
AX	49480140	4059625559734	101
AX	49480340	4059625559727	101
AX	49480670	4059625559710	101
AX	49480820	4059625559703	101
AX	49480990	4059625559697	101
AX	49481000	4059625559680	102
AX	49481140	4059625559673	102
AX	49481340	4059625559666	102
AX	49481670	4059625559659	102
AX	49481820	4059625559642	102
AX	49481990	4059625559635	102

brand	Code no.	EAN	page
AX	49482000	4059625559628	102
AX	49482140	4059625559949	102
AX	49482340	4059625559932	102
AX	49482670	4059625559611	102
AX	49482820	4059625559925	102
AX	49482990	4059625559604	102
AX	49483000	4059625559918	103
AX	49483140	4059625559901	103
AX	49483340	4059625559895	103
AX	49483670	4059625559888	103
AX	49483820	4059625559871	103
AX	49483990	4059625559864	103
AX	49626000	4059625560082	118
AX	49626140	4059625560099	118
AX	49626340	4059625560105	118
AX	49626670	4059625560112	118
AX	49626820	4059625560129	118
AX	49626990	4059625560136	118
AX	49700000	4059625559857	106
AX	49700140	4059625559840	106
AX	49700340	4059625559833	106
AX	49700670	4059625559826	106
AX	49700820	4059625559819	106
AX	49700990	4059625559802	106
AX	49701000	4059625559796	106
AX	49701140	4059625560075	106
AX	49701340	4059625559789	106
AX	49701670	4059625559772	106
AX	49701820	4059625559765	106
AX	49701990	4059625559758	106
AX	49710000	4059625560068	107
AX	49710140	4059625560051	107
AX	49710340	4059625560044	107
AX	49710670	4059625560037	107
AX	49710820	4059625560020	107
AX	49710990	4059625560013	107
AX	49711000	4059625560006	107
AX	49711140	4059625559994	107
AX	49711340	4059625559987	107
AX	49711670	4059625559970	107
AX	49711820	4059625559963	107
AX	49711990	4059625559956	107
51			
AX	51300000	4059625077788	696
AX	51300140	4059625172971	696
AX	51300340	4059625173039	696
AX	51300670	4059625493267	696
AX	51300700	4059625493243	696
AX	51300820	4059625130049	696
AX	51300990	4059625173077	696
AX	51301000	4059625032244	697
AX	51301140	4059625171356	697
AX	51301250	4059625171370	697
AX	51301300	4059625171752	697
AX	51301310	4059625171387	697
AX	51301330	4059625171707	697
AX	51301340	4059625171349	697
AX	51301670	4059625493229	697
AX	51301700	4059625493205	697
AX	51301800	4059625171394	697

brand	Code no.	EAN	page
AX	51301820	4059625173480	697
AX	51301950	4059625171332	697
AX	51301990	4059625171738	697
AX	51302000	4059625032237	696
AX	51303000	4059625077795	697
AX	51303820	4059625147863	697
AX	51304000	4059625077801	697
AX	51304820	4059625147887	697
AX	51305000	4059625077818	150
AX	51305140	4059625171912	150
AX	51305340	4059625171905	150
AX	51305670	4059625339817	150
AX	51305700	4059625454459	150
AX	51305820	4059625147900	698
AX	51305990	4059625171998	150
AX	51306000	4059625077689	150
AX	51306140	4059625204818	150
AX	51306340	4059625330135	150
AX	51306670	4059625339824	150
AX	51306700	4059625454442	150
AX	51306820	4059625204849	698
AX	51306990	4059625204900	150
AX	51307000	4059625079263	698
AX	51307140	4059625204955	698
AX	51307340	4059625330159	698
AX	51307820	4059625147924	698
AX	51307990	4059625205020	698
AX	51308000	4059625077696	699
AX	51309000	4059625077719	699
AX	51310000	4059625077726	699
AX	51312000	4059625077702	699
58			
AX	58307000	4059625077559	692
AX	58307140	4059625205457	692
AX	58307340	4059625205440	692
AX	58307670	4059625386613	692
AX	58307700	4059625490075	692
AX	58307820	4059625205488	692
AX	58307990	4059625205556	692
AX	58308000	4059625032299	692
AX	58316000	4059625077474	695
AX	58316140	4059625206058	695
AX	58316340	4059625206034	695
AX	58316670	4059625389522	695
AX	58316700	4059625490082	695
AX	58316820	4059625147986	695
AX	58316990	4059625206218	695
AX	58317000	4059625389539	692
AX	58317670	4059625389621	692
AX	58317700	4059625490099	692
AX	58318000	4059625385258	696
AX	58318670	4059625389508	696
AX	58318700	4059625490303	696
93			
AX	93171000	4059625032374	716
AX	93307000	4059625163368	562
AX	93308000	4059625163375	562
AX	93310000	4059625163399	563
AX	93311000	4059625164303	563
AX	93312000	4059625164310	563

brand	Code no.	EAN	page
AX	93572610	4059625142691	571
AX	93572670	4059625270110	571
AX	93572700	4059625270103	571
AX	93572880	4059625142608	571
AX	93663000	4059625261323	563
AX	93882000	4059625316771	732
96			
AX	96259000	4011097422640	721
AX	96383000	4011097350707	721
AX	96441000	4011097432717	721
98			
AX	98860000	4011097571065	711





Basin

Bidet

Bath

Shower

Thermostatic mixers / valves
/ diverters

Overhead showers

AXOR CITTERIO C

DESIGN

—

ANTONIO CITTERIO





“Slender, soft and sensuous, AXOR Citterio C meets our need for greater comfort, reduced materiality and a lasting, contemporary design that works in any bathroom setting.”

ANTONIO CITTERIO

AXOR Citterio C

Contemporary, sophisticated, slender

Slender, elegant and exceptionally refined, AXOR Citterio C reinterprets the wash basin faucet for a new era, one that demands ever more comfort and individuality from ever smaller bathroom spaces.

Design: Antonio Citterio

Characteristic design feature:

AXOR Citterio C is distinguished by its slender verticality, its soft and sensuous form, its flat surfaces and its signature detail, a subtle chamfer that encircles every piece in the collection.

The designer's idea:

AXOR Citterio C had to be slender and compact, with a softness that spoke to our desire for a comfort and a reduced materiality that reflected the contemporary imperative to create more out of less. Above all, the design of each piece had to last, engaging and attracting the user not just at first glance but for the entire life of the product.

Special collection highlights:

- / AXOR Citterio C stands out from the rest with its conical body that subtly expands from its base.
- / The slender, minimalist form of the design complements the product's resource-saving CoolStart function.
- / For those wishing to make a more personal statement, AXOR Citterio C offers the standard option of handles in an exclusive cubic cut pattern.
- / AXOR Signature also offers three further readymade structures for greater freedom of individualization: soft cut, rhombic cut and linear cut.
- / AXOR Citterio C is the fourth collection created in collaboration with Antonio Citterio.

Innovative, down to the smallest detail.

Minimalist in spirit, with soft contours and a sensuous form, the faucet invites the touch while intriguing the eye from every angle.





A wide range of products brings the subtle yet distinctive design language of AXOR Citterio C to every area of the bathroom. At the wash basin, faucets come in three different heights—90mm, 125mm, and 250mm—and multiple types, including wall-mounted 2-hole and 3-hole versions.





The collection's thermostatic module is available in two variants: as a 3 function version with separate escutcheons or as a 2 functions version with one plate.



Available in a wide variety of installation types and AXOR FinishPlus surfaces, AXOR Citterio C ideally complements nearly any bathroom.



At the bathtub as at the wash basin, faucets come in a variety of silhouettes and sizes. The options include a floor-standing bath mixer, a 3-hole rim mounted bath mixer including the sBox and a 3-hole wall-mounted bath mixer with shower holder.





Custom AXOR FinishPlus surfaces and the collection's signature textured handles inspire unique, exciting combinations.

With an extensive variety of bathroom solutions to choose from, AXOR Citterio C offers a distinct, coherent language of design across the wash basin, bath and shower.



AXOR Individualization Services

AXOR FinishPlus

The exclusive surface finishes from AXOR FinishPlus set new standards, from the lacquered Matt Black surface to Polished Gold Optic and Brushed Black Chrome. Surfaces of exceptional brilliance, robustness, and durability, manufactured in Germany to the highest technical standards—from single pieces to large quantities. AXOR FinishPlus PVD surface finishes have character. Each color is the result of intensive development and refined in AXOR's vacuum chambers using the PVD (physical vapor deposition) process. An electric arc discharges in the high vacuum, gases combine with zirconium. The mixture hits the faucet's chrome surface. This high-tech process gives the surface unprecedented brilliance and high resistance to scratches, cleaning agents, and the salt of the sea air.

SURFACE COLORS FROM STOCK



Chrome
-000



Matt Black
-670



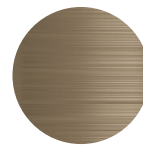
Brushed Black Chrome
-340



Polished Gold Optic
-990

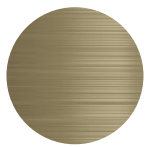


Brushed Nickel
-820

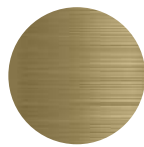


Brushed Bronze
-140

SURFACE COLORS WITH A PRODUCTION TIME OF MAX. 6 WEEKS* (EXCL. TRANSPORT)



Brushed Brass
-950



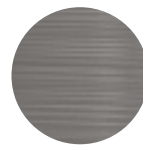
Brushed Gold Optic
-250



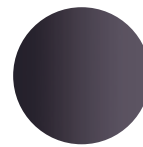
Polished Red Gold
-300



Brushed Red Gold
-310



Stainless Steel Optic
-800



Polished Black Chrome
-330

*Please note that production times and stock availabilities are only valid for small quantities and may vary for project or bulk orders.





AXOR Signature

AXOR Signature is an exclusive service that takes a design object and makes it one-of-a-kind, whether by providing each mixer with the customer's personal touch or by modifying it to fit specific dimensions. The personal and customized result manufactured by AXOR experts in Schiltach. With the utmost in care and precise craftsmanship in accordance with industrial standards.

Bi-color—AXOR Citterio C

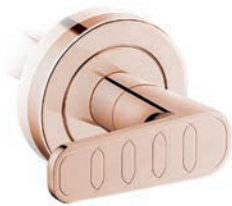
A contrasting bi-color finish provides AXOR Citterio C a contemporary, elegant twist, emphasizing the poetic form of its handle and pairing especially well with an elegant handle engraving.



Structures via AXOR Signature

AXOR Citterio C is pushing the boundaries of individualization with the possibility to choose a textured pattern for the handle. In addition to the optional cubic cut, AXOR Signature offers three pre-defined structures: the soft cut, the rhombic cut and the linear cut for an even more personalized bathroom.

HANDLE STRUCTURES



SOFT CUT,
BY ANTONIO CITTERIO



RHOMBIC CUT,
BY ANTONIO CITTERIO



LINEAR CUT,
BY PHOENIX

In addition to the structure options offered as standard, the cubic cut pattern is available in fully-structured surface for "one-handle" arrangements and partially-structured surface for "two-handle" arrangements.

EXAMPLE



CUBIC CUT - HALF STRUCTURED
STANDARD PRODUCT



CUBIC CUT - FULLY STRUCTURED
AXOR SIGNATURE APPLICATION

Example representation of an individualization service. Further individualization options are possible through AXOR Signature.



Customize easily with the S-Tag

To request the customized product via AXOR Signature, the order number is composed of the model number, the finish and the individualization code, the S-Tag.

1. MODEL NUMBER: SELECT YOUR AXOR CITTERIO C PRODUCT



Single lever basin mixer 125
e.g. 49040XXX



3-hole rim mounted single lever bath mixer
with sBox e.g. 49430XXX



Thermostatic module 380/120
for 2 functions e.g. 49700XXX

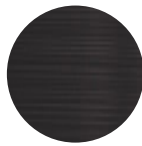
2. FINISH: SELECT YOUR AXOR FINISHPLUS SURFACE



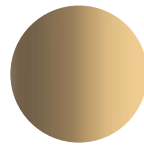
Chrome
-000



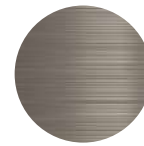
Matt Black
-670



Brushed Black Chrome
-340



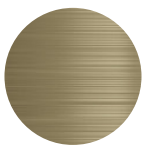
Polished Gold Optic
-990



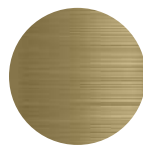
Brushed Nickel
-820



Brushed Bronze
-140



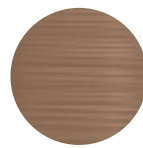
Brushed Brass
-950



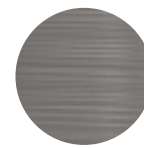
Brushed Gold Optic
-250



Polished Red Gold
-300



Brushed Red Gold
-310



Stainless Steel Optic
-800



Polished Black Chrome
-330

3. S-TAG: SELECT YOUR HANDLE STRUCTURE



Soft Cut
-SOC



Rhombic Cut
-RHC



Linear Cut
-LIC

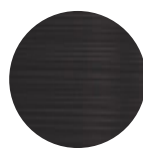


Cubic cut
-CCH Half structured
-CCF Fully structured

4. FINAL ORDERING NUMBER



49040-XXX



Brushed Black Chrome
-340



Linear Cut
-LIC



49040340+LIC

Single lever basin mixers CoolStart

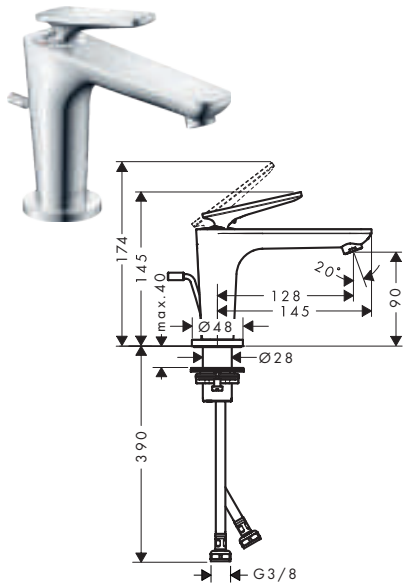
Features of all variants

/ consists of: single lever basin mixer, waste set
 / handle variant: lever handle
 / spray type: normal spray
 / maximum flow rate at 3 bar: 5 l/min

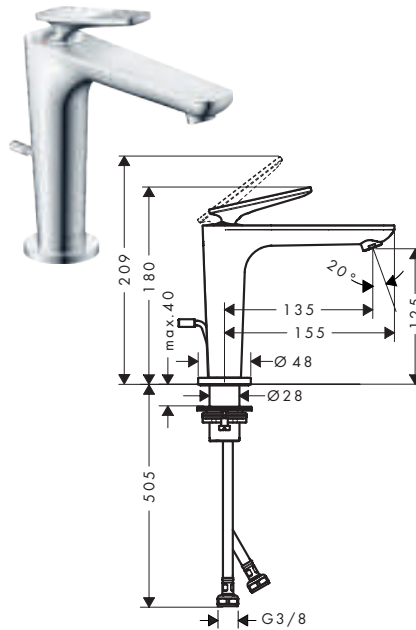
/ ceramic cartridge
 / suitable for continuous flow water heaters
 / connection type: G 3/8 hose connections
 / connection dimension: DN 15

/ cold water in basic handle position
 / EU taxonomy: max. 6 l/min - Substantial Contribution (SC) possible

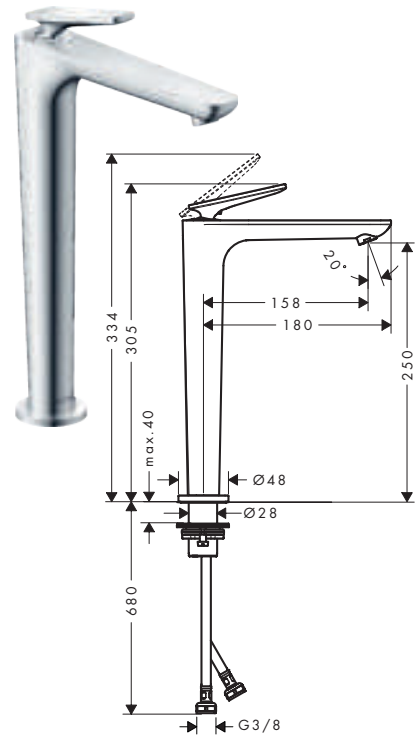
90



125 cubic cut



250



Sustainability



Technologies




































Overview variants

ComfortZone	Projection (mm)	Spout height (mm)	Waste set	For wash bowls	Structure element	Finish	Code no.
90	128	90	pop-up	-	without structure	Chrome	49010000
						Brushed Bronze	49010140
						Brushed Black Chrome	49010340
						Matt Black	49010670
						Brushed Nickel	49010820
						Polished Gold Optic	49010990
						AXOR FinishPlus*	49010XXX
						AXOR FinishPlus*	49010XXX
90	128	90	pop-up	-	cubic cut	Chrome	49011000
						Brushed Bronze	49011140
						Brushed Black Chrome	49011340
						Matt Black	49011670
						Brushed Nickel	49011820
						Polished Gold Optic	49011990
						AXOR FinishPlus*	49011XXX
						AXOR FinishPlus*	49011XXX
90	128	90	non-closing	-	without structure	Chrome	49020000
						Brushed Bronze	49020140
						Brushed Black Chrome	49020340
						Matt Black	49020670
						Brushed Nickel	49020820
						Polished Gold Optic	49020990
						AXOR FinishPlus*	49020XXX
						AXOR FinishPlus*	49020XXX

Single lever basin mixers CoolStart








Overview variants

ComfortZone	Projection (mm)	Spout height (mm)	Waste set	For wash bowls	Structure element	Finish	Code no.
90	128	90	non-closing	-	cubic cut	 Chrome	49021000
						 Brushed Bronze	49021140
						 Brushed Black Chrome	49021340
						 Matt Black	49021670
						 Brushed Nickel	49021820
						 Polished Gold Optic	49021990
						 AXOR FinishPlus*	49021XXX
125	135	125	pop-up	-	without structure	 Chrome	49030000
						 Brushed Bronze	49030140
						 Brushed Black Chrome	49030340
						 Matt Black	49030670
						 Brushed Nickel	49030820
						 Polished Gold Optic	49030990
						 AXOR FinishPlus*	49030XXX
125	135	125	pop-up	-	cubic cut	 Chrome	49031000
						 Brushed Bronze	49031140
						 Brushed Black Chrome	49031340
						 Matt Black	49031670
						 Brushed Nickel	49031820
						 Polished Gold Optic	49031990
						 AXOR FinishPlus*	49031XXX
125	135	125	non-closing	-	without structure	 Chrome	49040000
						 Brushed Bronze	49040140
						 Brushed Black Chrome	49040340
						 Matt Black	49040670
						 Brushed Nickel	49040820
						 Polished Gold Optic	49040990
						 AXOR FinishPlus*	49040XXX
125	135	125	non-closing	-	cubic cut	 Chrome	49041000
						 Brushed Bronze	49041140
						 Brushed Black Chrome	49041340
						 Matt Black	49041670
						 Brushed Nickel	49041820
						 Polished Gold Optic	49041990
						 AXOR FinishPlus*	49041XXX
250	158	250	non-closing	■	without structure	 Chrome	49050000
						 Brushed Bronze	49050140
						 Brushed Black Chrome	49050340
						 Matt Black	49050670
						 Brushed Nickel	49050820
						 Polished Gold Optic	49050990
						 AXOR FinishPlus*	49050XXX

For more information about this product, please see the next page.

Single lever basin mixers CoolStart

Overview variants

ComfortZone	Projection (mm)	Spout height (mm)	Waste set	For wash bowls	Structure element	Finish	Code no.
250	158	250	non-closing	■	cubic cut	 Chrome  Brushed Bronze  Brushed Black Chrome  Matt Black  Brushed Nickel  Polished Gold Optic  AXOR FinishPlus*	49051000 49051140 49051340 49051670 49051820 49051990 49051XXX

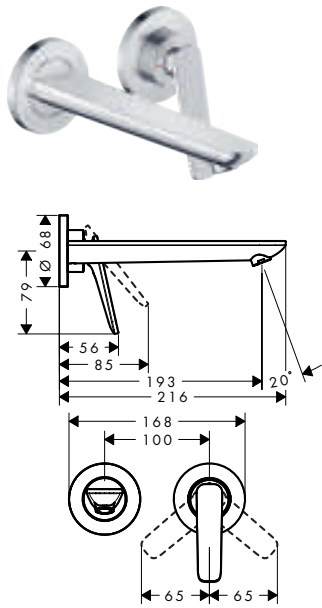
Single lever basin mixers for concealed installation wall-mounted

Features of all variants

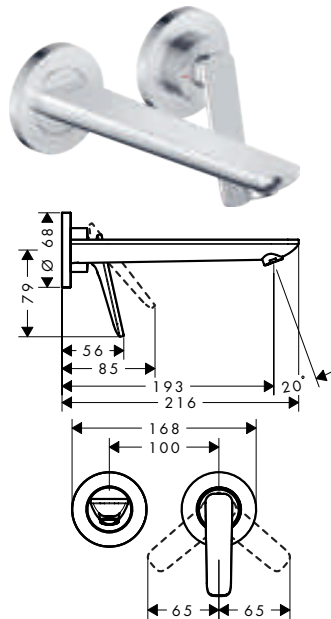
/ consists of: single lever basin mixer for concealed installation wall-mounted, waste set
 / projection: 193 mm
 / handle variant: lever handle
 / spray type: normal spray

/ maximum flow rate at 3 bar: 5 l/min
 / ceramic cartridge
 / suitable for continuous flow water heaters
 / non-closing waste set
 / connection type: basic set

/ connection dimension: DN15
 / handle can be positioned on the right or left, depending on the basic set installation
 / EU taxonomy: max. 6 l/min - Substantial Contribution (SC) possible



cubic cut



Sustainability



Technologies



Overview variants

Projection (mm)	Structure element	Finish	Code no.
193	without structure	Chrome	49110000
		Brushed Bronze	49110140
		Brushed Black Chrome	49110340
		Matt Black	49110670
		Brushed Nickel	49110820
		Polished Gold Optic	49110990
		AXOR FinishPlus*	49110XXX
193	cubic cut	Chrome	49111000
		Brushed Bronze	49111140
		Brushed Black Chrome	49111340
		Matt Black	49111670
		Brushed Nickel	49111820
		Polished Gold Optic	49111990
		AXOR FinishPlus*	49111XXX

Required parts: Code no.

	Basic set for single lever basin mixer for concealed installation wall-mounted	13623180
--	--	----------

Optional parts: Code no.

	Extension set 25 mm for single lever basin mixer wall-mounted	13586000
--	---	----------

* AXOR FinishPlus: For further AXOR FinishPlus surfaces please see the AXOR FinishPlus overview on page 33.

3-hole basin mixers

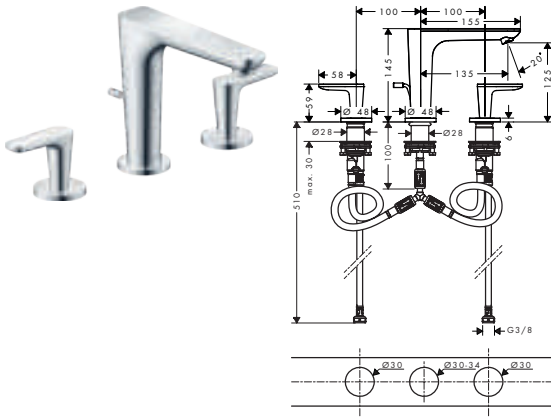
Features of all variants

/ consists of: 3-hole basin mixer, waste set
 / ComfortZone: 125
 / projection: 135 mm
 / spout height: 125 mm
 / handle variant: lever handle

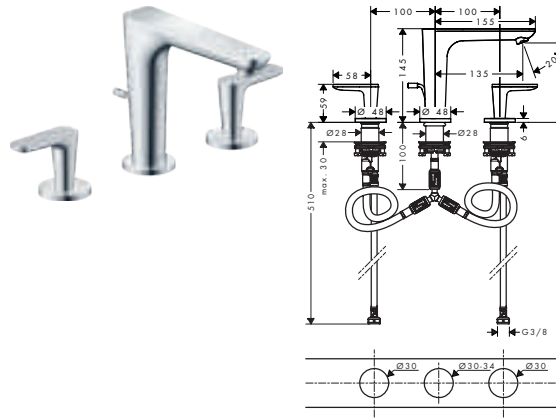
/ spray type: normal spray
 / maximum flow rate at 3 bar: 5 l/min
 / ceramic valves hot/cold 90°
 / suitable for continuous flow water heaters
 / pop-up waste set G 1¼

/ connection type: G ¾ hose connections
 / connection dimension: DN 15
 / EU taxonomy: max. 6 l/min - Substantial Contribution (SC) possible

125



125 cubic cut



Sustainability



Technologies



Overview variants

ComfortZone	Projection (mm)	Spout height (mm)	Structure element	Finish	Code no.				
125	135	125	without structure	Chrome	49060000				
				Brushed Bronze	49060140				
				Brushed Black Chrome	49060340				
				Matt Black	49060670				
				Brushed Nickel	49060820				
				Polished Gold Optic	49060990				
				AXOR FinishPlus*	49060XXX				
				125	135	125	cubic cut	Chrome	49061000
								Brushed Bronze	49061140
								Brushed Black Chrome	49061340
Matt Black	49061670								
Brushed Nickel	49061820								
Polished Gold Optic	49061990								
				AXOR FinishPlus*	49061XXX				

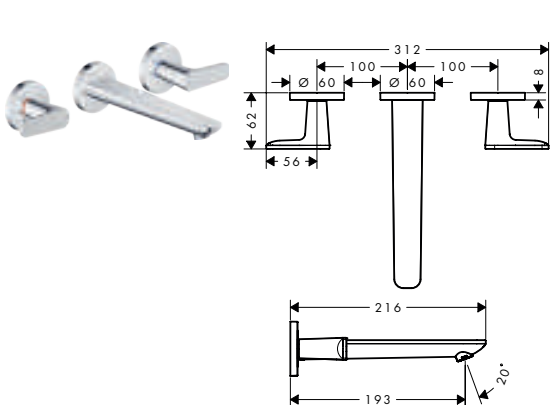
3-hole basin mixers for concealed installation wall-mounted

Features of all variants

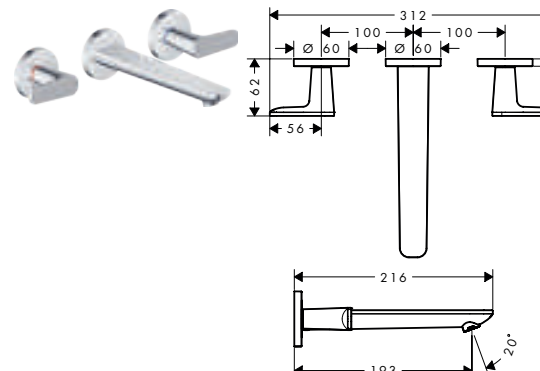
/ consists of: 3-hole basin mixer for concealed installation wall-mounted, waste set
 / projection: 193 mm
 / handle variant: lever handle
 / spray type: normal spray

/ maximum flow rate at 3 bar: 5 l/min
 / ceramic valves hot/cold 90°
 / suitable for continuous flow water heaters
 / non-closing waste set
 / connection type: basic set

/ connection dimension: DN 15
 / EU taxonomy: max. 6 l/min - Substantial Contribution (SC) possible



cubic cut



Sustainability



Technologies



3-hole basin mixers for concealed installation wall-mounted

Overview variants

Projection (mm)	Structure element	Finish	Code no.
193	without structure	Chrome	49070000
		Brushed Bronze	49070140
		Brushed Black Chrome	49070340
		Matt Black	49070670
		Brushed Nickel	49070820
		Polished Gold Optic	49070990
		AXOR FinishPlus*	49070XXX
193	cubic cut	Chrome	49071000
		Brushed Bronze	49071140
		Brushed Black Chrome	49071340
		Matt Black	49071670
		Brushed Nickel	49071820
		Polished Gold Optic	49071990
		AXOR FinishPlus*	49071XXX

Required parts:

	Code no.
Basic set for 3-hole basin mixer for concealed installation wall-mounted	10303180

Optional parts:

	Code no.
Seal	96383000
AXOR Starck Extension set 25 mm for basic set for 3-hole basin mixer wall-mounted	96259000

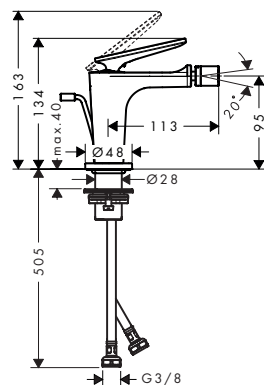
Single lever bidet mixers

Features of all variants

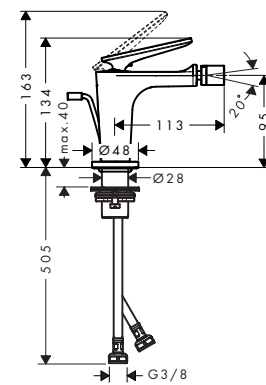
/ consists of: single lever bidet mixer, waste set
 / projection: 113 mm
 / spout height: 95 mm
 / ball-pivot joint

/ spray type: laminar spray
 / maximum flow rate at 3 bar: 7,5 l/min
 / ceramic cartridge
 / suitable for continuous flow water heaters

/ pop-up waste set G 1 1/4
 / connection type: G 3/8 hose connections
 / connection dimension: DN15



cubic cut



Overview variants

Structure element	Finish	Code no.
without structure	Chrome	49210000
	Brushed Bronze	49210140
	Brushed Black Chrome	49210340
	Matt Black	49210670
	Brushed Nickel	49210820
	Polished Gold Optic	49210990
	AXOR FinishPlus*	49210XXX

For more information about this product, please see the next page.

Single lever bidet mixers

Overview variants

Structure element	Finish	Code no.
cubic cut	Chrome	49211000
	Brushed Bronze	49211140
	Brushed Black Chrome	49211340
	Matt Black	49211670
	Brushed Nickel	49211820
	Polished Gold Optic	49211990
	AXOR FinishPlus*	49211XXX

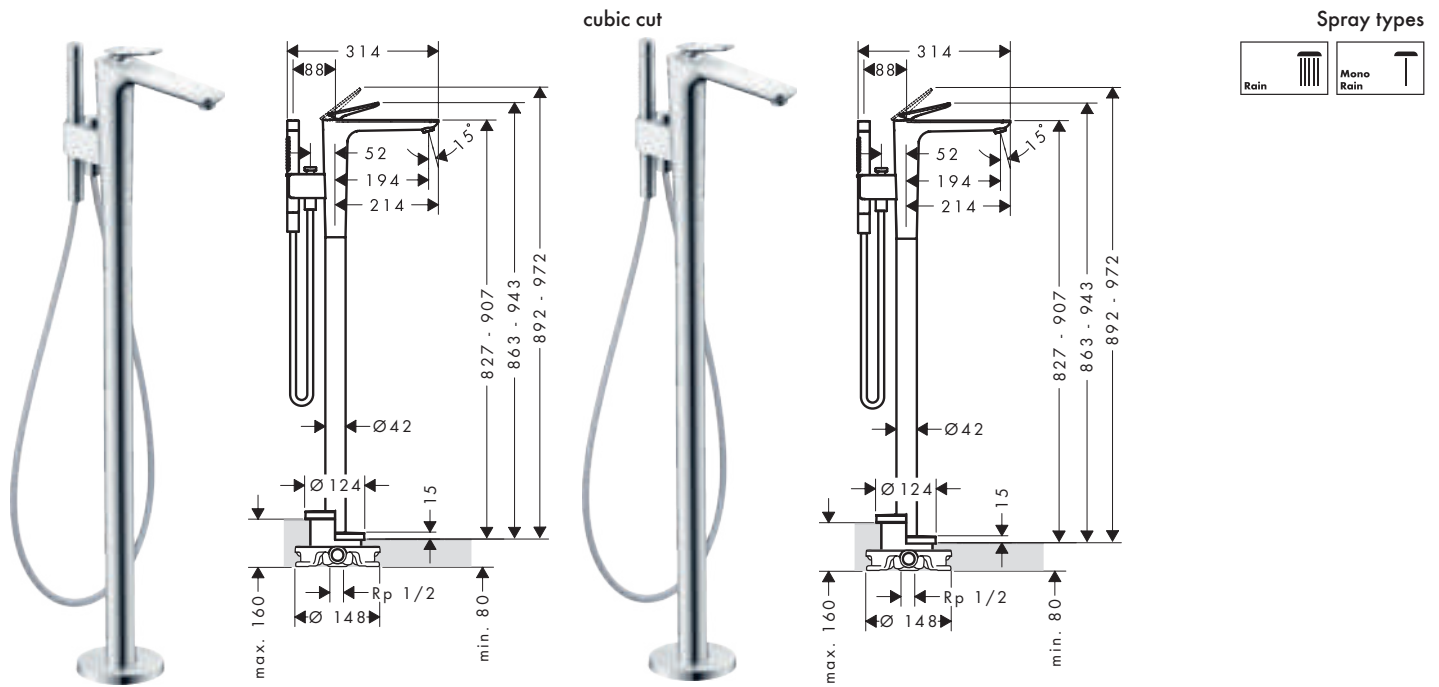
Single lever bath mixers floor-standing

Features of all variants

/ consists of: single lever bath mixer floor standing, baton hand shower, shower hose, shower holder
 / 2 functions
 / projection: 194 mm
 / spray type mixer: laminar spray
 / spray type hand shower: Rain, MonoRain

/ maximum flow rate at 3 bar: 23,3 l/min
 / flow rate for bath spout at 3 bar: 23,3 l/min
 / flow rate of hand shower at 3 bar: 9,9 l/min
 / Ceramic cartridge
 / diverter with automatic resetting
 / non-return valve

/ connection dimension: DN 15
 / connection type: basic set
 / deck mounted
 / min. operating pressure: 1 bar
 / max. operating pressure: 10 bar



Overview variants

Projection (mm)	Structure element	Finish	Code no.
194	without structure	Chrome	49440000
		Brushed Bronze	49440140
		Brushed Black Chrome	49440340
		Matt Black	49440670
		Brushed Nickel	49440820
		Polished Gold Optic	49440990
		AXOR FinishPlus*	49440XXX

Single lever bath mixers floor-standing

Overview variants

Projection (mm)	Structure element	Finish	Code no.
194	cubic cut	Chrome Brushed Bronze Brushed Black Chrome Matt Black Brushed Nickel Polished Gold Optic AXOR FinishPlus*	49441000 49441140 49441340 49441670 49441820 49441990 49441XXX

Required parts:

		Code no.
	Basic set for mixers floor-standing	10452180

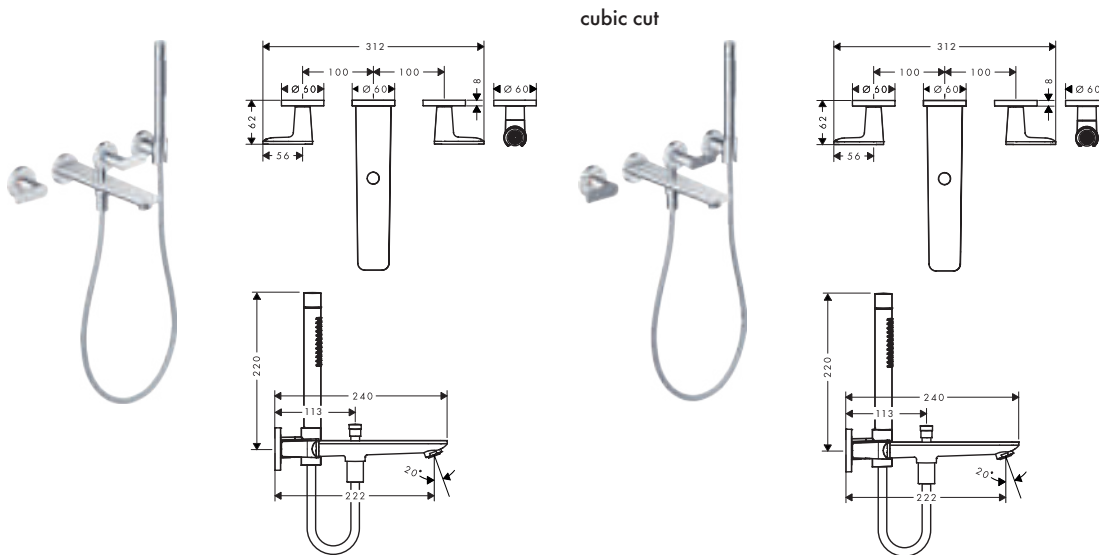
Optional parts:

		Code no.
	Sealing foil for basic set bath mixer floor-standing	96441000
	Extension 60 mm for pipe	93882000

3-hole bath mixer for concealed installation wall-mounted with hand shower

Features of all variants

- / consists of: 3-hole bath mixer, hand shower, shower holder, shower hose
- / 2 functions
- / projection: 222 mm
- / spray type mixer: normal spray
- / spray type hand shower: Rain, MonoRain
- / flow rate for bath spout at 3 bar: 20 l/min
- / flow rate of hand shower at 3 bar: 9,7 l/min
- / ceramic valves hot/cold 90°
- / diverter with automatic resetting
- / non-return valve
- / connection dimension: DN15
- / connection type: basic set
- / wall-mounted
- / min. operating pressure: 1 bar
- / max. operating pressure: 10 bar



Technologies



Spray types










Overview variants

Projection (mm)	Structure element	Finish	Code no.
222	without structure	Chrome Brushed Bronze Brushed Black Chrome Matt Black Brushed Nickel Polished Gold Optic AXOR FinishPlus*	49480000 49480140 49480340 49480670 49480820 49480990 49480XXX


For more information about this product, please see the next page.

3-hole bath mixer for concealed installation wall-mounted with hand shower

Overview variants


Projection (mm)	Structure element	Finish	Code no.
222	cubic cut	 Chrome	49481000
		 Brushed Bronze	49481140
		 Brushed Black Chrome	49481340
		 Matt Black	49481670
		 Brushed Nickel	49481820
		 Polished Gold Optic	49481990
		 AXOR FinishPlus*	49481XXX

Required parts: Code no.

	Basic set for 3-hole basin mixer for concealed installation wall-mounted	10303180
---	--	----------

Optional parts: Code no.

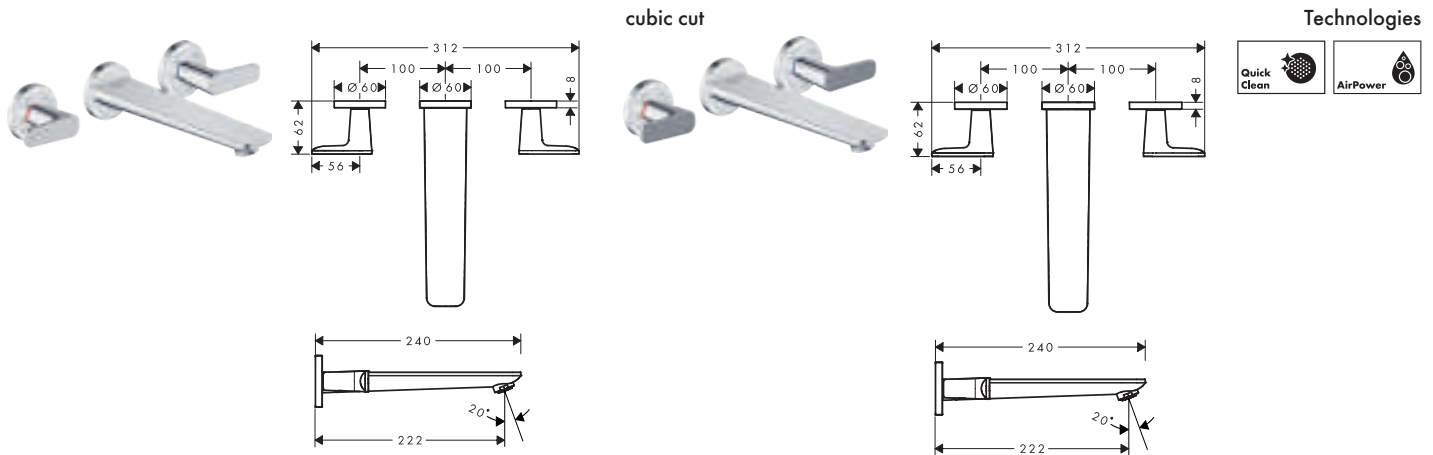
	Seal	96383000
---	------	----------

	AXOR Starck Extension set 25 mm for basic set for 3-hole basin mixer wall-mounted	96259000
---	---	----------








3-hole bath mixer for concealed installation wall-mounted

Features of all variants

- / 1 function
- / projection: 222 mm
- / spray type mixer: normal spray
- / maximum flow rate at 3 bar: 20 l/min
- / flow rate for bath spout at 3 bar: 20 l/min
- / ceramic valves hot/cold 90°
- / connection type: basic set
- / wall-mounted
- / min. operating pressure: 1 bar
- / max. operating pressure: 10 bar



Overview variants

Projection (mm)	Structure element	Finish	Code no.
222	without structure	 Chrome	49482000
		 Brushed Bronze	49482140
		 Brushed Black Chrome	49482340
		 Matt Black	49482670
		 Brushed Nickel	49482820
		 Polished Gold Optic	49482990
		 AXOR FinishPlus*	49482XXX

3-hole bath mixer for concealed installation wall-mounted

Overview variants

Projection (mm)	Structure element	Finish	Code no.
222	cubic cut	Chrome	49483000
		Brushed Bronze	49483140
		Brushed Black Chrome	49483340
		Matt Black	49483670
		Brushed Nickel	49483820
		Polished Gold Optic	49483990
		AXOR FinishPlus*	49483XXX

Required parts:



Basic set for 3-hole basin mixer for concealed installation wall-mounted

Code no.

10303180

Optional parts:



Seal

Code no.

96383000



AXOR Starck Extension set 25 mm for basic set for 3-hole basin mixer wall-mounted

Code no.

96259000

3-hole rim mounted single lever bath mixers

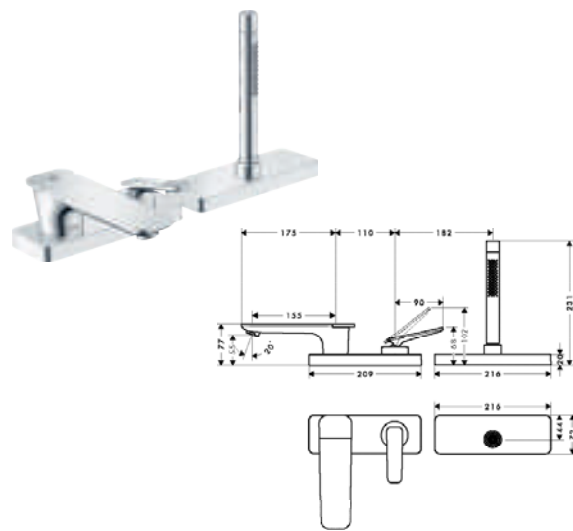
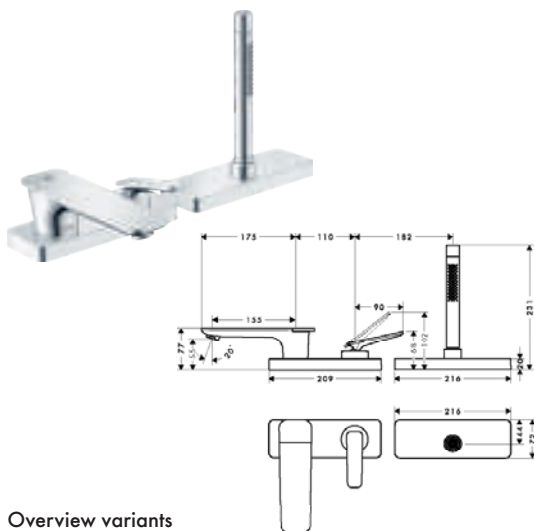
Features of all variants

/ consists of: 3-hole rim mounted single lever bath mixer, baton hand shower, shower holder
 / 2 functions
 / projection: 155 mm
 / spray type mixer: normal spray
 / spray type hand shower: Rain, MonoRain
 / maximum pull-out length of hand shower: 1,45 m

/ sBox for quiet, smooth and protected hose guidance
 / maximum flow rate at 3 bar: 20 l/min
 / flow rate for bath spout at 3 bar: 20 l/min
 / flow rate of hand shower at 3 bar: 10,6 l/min
 / ceramic cartridge
 / temperature limitation adjustable
 / non-return valve

/ suitable for continuous flow water heaters
 / connection dimension: DN15
 / connection type: basic set
 / installation on bath rim
 / min. operating pressure: 1 bar
 / max. operating pressure: 10 bar
 / removable for service at any time
 / no additional maintenance opening required

cubic cut



Technologies



Spray types



Overview variants

Projection (mm)	Structure element	Finish	Code no.
155	without structure	Chrome	49430000
		Brushed Bronze	49430140
		Brushed Black Chrome	49430340
		Matt Black	49430670
		Brushed Nickel	49430820
		Polished Gold Optic	49430990
		AXOR FinishPlus*	49430XXX



For more information about this product, please see the next page.

3-hole rim mounted single lever bath mixers

Overview variants

Projection (mm)	Structure element	Finish	Code no.
155	cubic cut	Chrome	49431000
		Brushed Bronze	49431140
		Brushed Black Chrome	49431340
		Matt Black	49431670
		Brushed Nickel	49431820
		Polished Gold Optic	49431990
		AXOR FinishPlus*	49431XXX

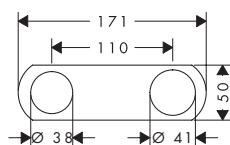
Required parts: Code no.

	Basic set for 3-hole rim mounted single lever bath mixer	15487180
	AXOR Citterio C Installation plate	49449000

Installation plate

Features

/ installation: indispensable for rim mounted mixers with plate / material: metal
 / installation type: concealed installation

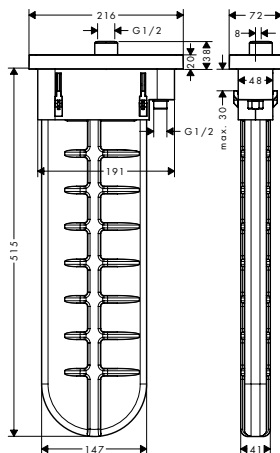


Code no.
49449000

Finish set softsquare

Features

/ consists of: hose box, shower hose, escutcheon / connection dimension: DN 15 / removable for service at any time
 / suitable for rim or tile mounted installation / no additional maintenance opening required / protected against backflow, according to DIN EN 1717
 / 1 function / bath rim width at least 80 mm / maximum flow rate at 3 bar: 9,5 l/min
 / sBox for quiet, smooth and protected hose guidance / clamping range: 0 - 30 mm / maximum pull-out length of hand shower 1,45 m




Finish	Code no.
Chrome	28017000
Brushed Bronze	28017140
Brushed Black Chrome	28017340
Matt Black	28017670
Brushed Nickel	28017820
Polished Gold Optic	28017990
AXOR FinishPlus*	28017XXX

Required parts: Code no.

	sBox Rim and tile mounted bath basic set	15490180
---	--	----------

Optional parts: Code no.

	sBox Mounting angle set for installation plate for tile mounted installation	28011000
---	--	----------

Finish set softsquare

Optional parts:



sBox Installation plate for tile mounted installation

Code no.

28014000

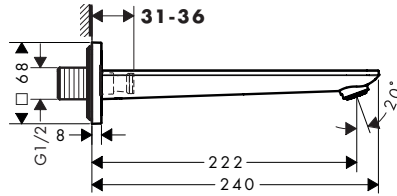
Bath spout

Features

/ 1 function
/ projection: 222 mm

/ maximum flow rate at 3 bar: 24,5 l/min
/ connection dimension: DN15

/ spray type: normal spray



Technologies



Finish	Code no.
Chrome	49410000
Brushed Bronze	49410140
Brushed Black Chrome	49410340
Matt Black	49410670
Brushed Nickel	49410820
Polished Gold Optic	49410990
AXOR FinishPlus*	49410XXX

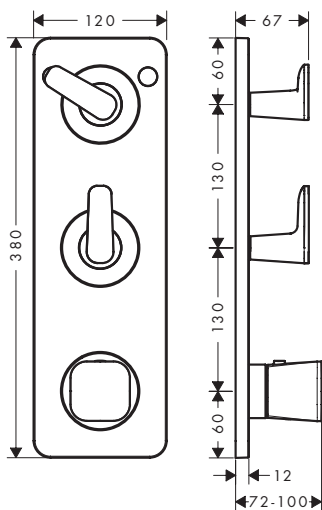
Thermostatic modules concealed installation with plate

Features of all variants

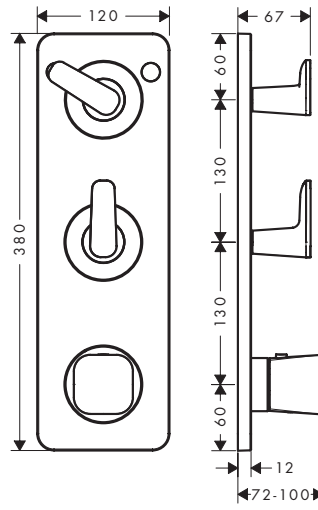
/ 2 functions
/ simultaneous utilization of 2 functions
/ thermostat cartridge
/ min. operating pressure: 1 bar

/ max. operating pressure: 10 bar
/ combination of highflow thermostat with shut-off valve and Duo diverter valve for controlling 2 consumers

/ Safety stop at 40 °C
/ temperature limitation adjustable
/ connection dimension: DN20
/ connection type: basic set



cubic cut



Sustainability



Technologies




For more information about this product, please see the next page.

*AXOR FinishPlus: For further AXOR FinishPlus surfaces please see the AXOR FinishPlus overview on page 33.

Thermostatic modules concealed installation with plate

Overview variants


Structure element	Finish	Code no.
without structure	Chrome	49700000
	Brushed Bronze	49700140
	Brushed Black Chrome	49700340
	Matt Black	49700670
	Brushed Nickel	49700820
	Polished Gold Optic	49700990
	AXOR FinishPlus*	49700XXX
cubic cut	Chrome	49701000
	Brushed Bronze	49701140
	Brushed Black Chrome	49701340
	Matt Black	49701670
	Brushed Nickel	49701820
	Polished Gold Optic	49701990
	AXOR FinishPlus*	49701XXX

Required parts:	Code no.
 AXOR Citterio E Basic set for thermostatic module 380/120 for concealed installation for 2 functions	36701180

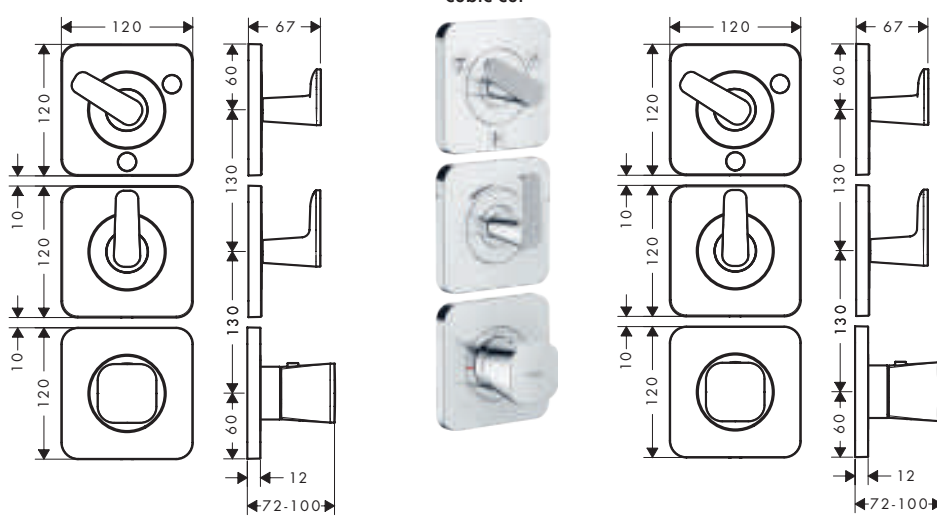
Thermostatic modules concealed installation with escutcheons

Features of all variants


- / consists of: shower thermostat, shut-off/ diverter valve, shut-off valve
- / 3 functions
- / simultaneous utilization of 2 functions
- / thermostat cartridge
- / Flow rate left and right: 37,9 l/min
- / min. operating pressure: 1 bar
- / max. operating pressure: 10 bar
- / combination of highflow thermostat with shut-off valve and Quattro diverter valve for controlling 3 consumers
- / Safety stop at 40 °C
- / temperature limitation adjustable
- / connection dimension: DN20
- / connection type: basic set





cubic cut



Sustainability


















Technologies





Thermostatic modules concealed installation with escutcheons

Overview variants

Structure element	Finish	Code no.
without structure	 Chrome	49710000
	 Brushed Bronze	49710140
	 Brushed Black Chrome	49710340
	 Matt Black	49710670
	 Brushed Nickel	49710820
	 Polished Gold Optic	49710990
	 AXOR FinishPlus*	49710XXX
	cubic cut	 Chrome
 Brushed Bronze		49711140
 Brushed Black Chrome		49711340
 Matt Black		49711670
 Brushed Nickel		49711820
 Polished Gold Optic		49711990
 AXOR FinishPlus*		49711XXX

 Required parts:

	Code no.
 AXOR Citterio E Basic set for thermostatic module 380/120 for concealed installation for 3 functions	36708180

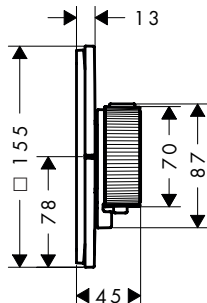
Thermostat for concealed installation softsquare for 1 function

Features

- / 1 function
- / comfortable turning on / off of outlets with large Select-paddle, precise temperature control thanks to vertical handle structure and haptic feedback from the thermostat handle
- / water flow control with stop function
- / thermostat cartridge
- / maximum flow rate at 3 bar: 20,3 l/min
- / min. operating pressure: 1 bar

- / max. operating pressure: 10 bar
- / flat escutcheon for more space in the shower
- / escutcheon can be aligned by +/- 3°
- / easy installation due to pre-assembled function block
- / handles always at the same height regardless of the installation depth of the basic set
- / Safety stop at 40 °C
- / temperature limitation adjustable

- / the thermostat offers the possibility for thermal disinfection
- / material button: metal
- / material handles: metal
- / connection type: basic set iBox universal 2 (# 01400180)
- / Select-paddle is delivered with lasered On/Off symbol



Sustainability



Technologies



Finish	Code no.
Chrome	36758000
Brushed Bronze	36758140
Brushed Black Chrome	36758340
Matt Black	36758670
Brushed Nickel	36758820
Polished Gold Optic	36758990
AXOR FinishPlus*	36758XXX

⚠ Required parts:



AXOR iBox universal 2 Basic set

Code no.

01400180

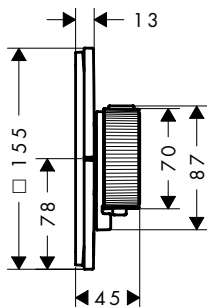
Thermostat for concealed installation softsquare for 2 functions

Features

- / 2 functions
- / simultaneous use of several outlets
- / comfortable turning on / off of outlets with large Select-paddle, precise temperature control thanks to vertical handle structure and haptic feedback from the thermostat handle
- / water flow control with stop function
- / thermostat cartridge, Start/stop valve to operate the functions
- / flow rate upper outlet: 20 l/min

- / flow rate lower outlet: 20 l/min
- / maximum flow rate at 3 bar: 22,1 l/min
- / min. operating pressure: 1 bar
- / max. operating pressure: 10 bar
- / flat escutcheon for more space in the shower
- / escutcheon can be aligned by +/- 3°
- / easy installation due to pre-assembled function block
- / handles always at the same height regardless of the installation depth of the basic set

- / Safety stop at 40 °C
- / temperature limitation adjustable
- / the thermostat offers the possibility for thermal disinfection
- / material button: metal
- / material handles: metal
- / connection type: basic set iBox universal 2 (# 01400180)
- / Select-paddles are delivered with lasered user symbols (Rain large and hand shower)



Sustainability



Technologies



Finish	Code no.
Chrome	36754000
Brushed Bronze	36754140
Brushed Black Chrome	36754340
Matt Black	36754670
Brushed Nickel	36754820
Polished Gold Optic	36754990
AXOR FinishPlus*	36754XXX

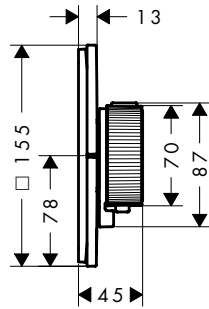
Required parts: Code no.

AXOR iBox universal 2 Basic set	01400180
---------------------------------	----------

Thermostat for concealed installation softsquare for 2 functions with integrated security combination according to EN1717

Features

- / 2 functions
- / comfortable turning on / off of outlets with large Select-paddle, precise temperature control thanks to vertical handle structure and haptic feedback from the thermostat handle
- / water flow control with stop function
- / thermostat cartridge, Start/stop valve to operate the functions
- / flow rate upper outlet: 23 l/min
- / flow rate lower outlet: 23 l/min
- / maximum flow rate at 3 bar: 26 l/min
- / min. operating pressure: 1 bar
- / max. operating pressure: 10 bar
- / flat escutcheon for more space in the shower
- / escutcheon can be aligned by +/- 3°
- / easy installation due to pre-assembled function block
- / handles always at the same height regardless of the installation depth of the basic set
- / Safety stop at 40 °C
- / temperature limitation adjustable
- / the thermostat offers the possibility for thermal disinfection
- / with integrated safety combination EN 1717
- / material button: metal
- / material handles: metal
- / connection type: basic set iBox universal 2 (# 01400180)
- / Select-paddles are delivered with lasered user symbols (hand shower and bath tub)



Sustainability



Technologies



Finish	Code no.
Chrome	36755000
Brushed Bronze	36755140
Brushed Black Chrome	36755340
Matt Black	36755670
Brushed Nickel	36755820
Polished Gold Optic	36755990
AXOR FinishPlus*	36755XXX

Required parts:		Code no.
	AXOR iBox universal 2 Basic set	01400180

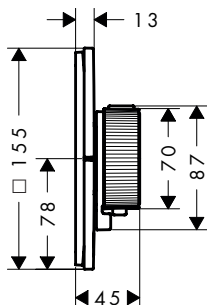
Thermostat HighFlow for concealed installation softsquare

Features

- / temperature and water flow control, precise temperature control thanks to vertical handle structure and haptic feedback from the thermostat handle
- / water flow control with stop function
- / thermostat cartridge
- / flow rate upper outlet: 27 l/min
- / flow rate lower outlet: 27 l/min

- / flow rate by simultaneous use of all outlets: 34,8 l/min
- / maximum flow rate at 3 bar: 27 l/min
- / min. operating pressure: 1 bar
- / max. operating pressure: 10 bar
- / flat escutcheon for more space in the shower
- / escutcheon can be aligned by +/- 3°
- / easy installation due to pre-assembled function block

- / handles always at the same height regardless of the installation depth of the basic set
- / Safety stop at 40 °C
- / temperature limitation adjustable
- / material button: metal
- / material handles: metal
- / connection type: basic set iBox universal 2 (# 01400180)



Sustainability



Technologies



Finish	Code no.
Chrome	36775000
Brushed Bronze	36775140
Brushed Black Chrome	36775340
Matt Black	36775670
Brushed Nickel	36775820
Polished Gold Optic	36775990
AXOR FinishPlus*	36775XXX

Required parts:

	Code no.
AXOR iBox universal 2 Basic set	01400180

Optional parts:

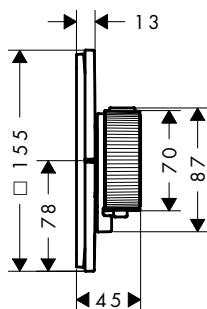
	Finish	Code no.
AXOR ShowerSelect ID Valve for concealed installation softsquare for 3 functions	Chrome	36781000
	Brushed Bronze	36781140
	Brushed Black Chrome	36781340
	Matt Black	36781670
	Brushed Nickel	36781820
	Polished Gold Optic	36781990
	AXOR FinishPlus*	36781XXX

*AXOR FinishPlus: For further AXOR FinishPlus surfaces please see the AXOR FinishPlus overview on page 33.

Thermostat HighFlow for concealed installation SoftSquare for 1 function and additional outlet

Features

- / 1 function and 1 additional outlet
- / Select push-button on/off control for 1 outlet, precise temperature control thanks to vertical handle structure and haptic feedback from the thermostat handle
- / water flow control with stop function
- / thermostat cartridge, Start/stop valve to operate the functions
- / flow rate upper outlet: 23 l/min
- / flow rate lower outlet: 23 l/min
- / maximum flow rate at 3 bar: 32,8 l/min
- / min. operating pressure: 1 bar
- / max. operating pressure: 10 bar
- / flat escutcheon for more space in the shower
- / escutcheon can be aligned by +/- 3°
- / easy installation due to pre-assembled function block
- / handles always at the same height regardless of the installation depth of the basic set
- / Safety stop at 40 °C
- / temperature limitation adjustable
- / the thermostat offers the possibility for thermal disinfection
- / material button: metal
- / material handles: metal
- / connection type: basic set iBox universal 2 (# 01400180)
- / thermostat is delivered with buttons hand shower, bath tub, whirl, body shower and On/Off



Sustainability



Technologies



Finish	Code no.
Chrome	36778000
Brushed Bronze	36778140
Brushed Black Chrome	36778340
Matt Black	36778670
Brushed Nickel	36778820
Polished Gold Optic	36778990
AXOR FinishPlus*	36778XXX

Required parts:		Code no.
	AXOR iBox universal 2 Basic set	01400180

Optional parts:		Finish	Code no.
	AXOR ShowerSelect ID Valve for concealed installation softsquare for 3 functions	Chrome	36781000
		Brushed Bronze	36781140
		Brushed Black Chrome	36781340
		Matt Black	36781670
		Brushed Nickel	36781820
		Polished Gold Optic	36781990
		AXOR FinishPlus*	36781XXX

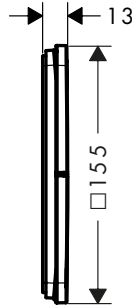
Valve for concealed installation softsquare for 3 functions

Features

/ 3 functions
 / simultaneous use of several outlets
 / comfortable turning on / off of outlets with large Select-paddle
 / Start/stop valve to operate the functions
 / flow rate upper outlet: 26 l/min

/ Flow rate left and right: 26 l/min
 / maximum flow rate at 3 bar: 32 l/min
 / min. operating pressure: 1 bar
 / max. operating pressure: 10 bar
 / escutcheon can be aligned by +/- 3°

/ easy installation due to pre-assembled function block
 / flat escutcheon for more space in the shower
 / valve is delivered with buttons Rain small, Rain large, hand sower, Waterfall and MonoRain
 / material button: metal



Finish	Code no.
Chrome	36781000
Brushed Bronze	36781140
Brushed Black Chrome	36781340
Matt Black	36781670
Brushed Nickel	36781820
Polished Gold Optic	36781990
AXOR FinishPlus*	36781XXX

⚠ Required parts:



AXOR iBox universal 2 Basic set

Code no.

01400180

Optional parts:



AXOR ShowerSelect ID Thermostat HighFlow for concealed installation SoftSquare for 1 function and additional outlet

Finish	Code no.
Chrome	36778000
Brushed Bronze	36778140
Brushed Black Chrome	36778340
Matt Black	36778670
Brushed Nickel	36778820
Polished Gold Optic	36778990
AXOR FinishPlus*	36778XXX



AXOR ShowerSelect ID Thermostat HighFlow for concealed installation softsquare

Finish	Code no.
Chrome	36775000
Brushed Bronze	36775140
Brushed Black Chrome	36775340
Matt Black	36775670
Brushed Nickel	36775820
Polished Gold Optic	36775990
AXOR FinishPlus*	36775XXX

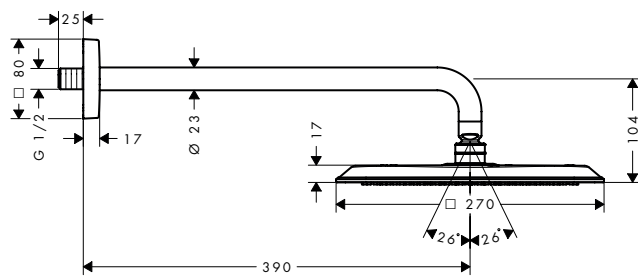
Overhead showers 1 jet with shower arm

Features of all variants

/ consists of: overhead shower, shower arm
 / shower head size: 270 x 270 mm
 / spray type: PowderRain

/ material spray disc: metal
 / overhead shower removable for cleaning
 / shower arm length: 390 mm

/ installation: wall
 / connection thread: G 1/2
 / suitable for continuous flow water heaters



Sustainability



Technologies



Spray types



Overview variants

Shower head size	Number of sprays	Spray types	Function from (l/min)	Max. flow rate at 3 bar (l/min)	Min. flow pressure (bar)	Finish	Code no.
270/270	1	PowderRain	6	6.5	1.5	Chrome	28791000
						Brushed Bronze	28791140
						Brushed Black Chrome	28791340
						Matt Black	28791670
						Brushed Nickel	28791820
						Polished Gold Optic	28791990
						AXOR FinishPlus*	28791XXX
270/270	1	PowderRain	7.5	11	1	Chrome	28790000
						Brushed Bronze	28790140
						Brushed Black Chrome	28790340
						Matt Black	28790670
						Brushed Nickel	28790820
						Polished Gold Optic	28790990
						AXOR FinishPlus*	28790XXX

Optional parts:



AXOR Citterio C Wall escutcheon 120/120 softsquare

Finish	Code no.
Chrome	28801000
Matt Black	28801670
AXOR FinishPlus*	28801XXX

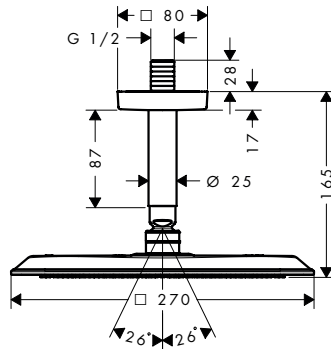
Overhead showers 1jet with ceiling connector

Features of all variants

/ consists of: overhead shower, ceiling connector
/ shower head size: 270 x 270 mm
/ spray type: PowderRain

/ material spray disc: metal
/ overhead shower removable for cleaning
/ ceiling connection length: 100 mm

/ installation: ceiling mounting
/ connection thread: G 1/2
/ suitable for continuous flow water heaters



Sustainability



Technologies



Spray types



Overview variants

Shower head size	Number of sprays	Spray types	Function from (l/min)	Max. flow rate at 3 bar (l/min)	Min. flow pressure (bar)	Finish	Code no.
270/270	1	PowderRain	6	6.5	1.5	Chrome	28793000
						Brushed Bronze	28793140
						Brushed Black Chrome	28793340
						Matt Black	28793670
						Brushed Nickel	28793820
						Polished Gold Optic	28793990
						AXOR FinishPlus*	28793XXX
						AXOR FinishPlus*	28793XXX
270/270	1	PowderRain	7.5	11	1	Chrome	28792000
						Brushed Bronze	28792140
						Brushed Black Chrome	28792340
						Matt Black	28792670
						Brushed Nickel	28792820
						Polished Gold Optic	28792990
						AXOR FinishPlus*	28792XXX
						AXOR FinishPlus*	28792XXX

Optional parts:



AXOR Citterio C Ceiling escutcheon 120/120 softsquare

Finish	Code no.
Chrome	28802000
Brushed Bronze	28802140
Brushed Black Chrome	28802340
Matt Black	28802670
Brushed Nickel	28802820
Polished Gold Optic	28802990
AXOR FinishPlus*	28802XXX

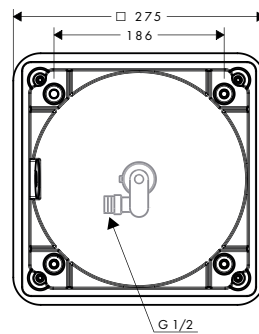
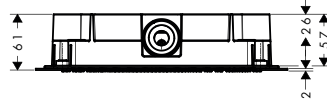
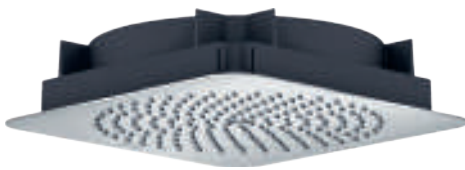
Overhead showers 1 jet ceiling

Features of all variants

/ shower head size: 270 x 270 mm
 / spray type: Rain
 / material spray disc: metal

/ spray disc removable for cleaning
 / installation: ceiling mounting
 / connection type: basic set

/ suitable for continuous flow water heaters



Sustainability



Technologies



Spray types



Overview variants

Shower head size	Number of sprays	Spray types	Function from (l/min)	Max. flow rate at 3 bar (l/min)	Min. flow pressure (bar)	Finish	Code no.
270/270	1	Rain	4.3	6.8	1.2	<ul style="list-style-type: none"> ● Chrome 28795000 ● Brushed Bronze 28795140 ● Brushed Black Chrome 28795340 ● Matt Black 28795670 ● Brushed Nickel 28795820 ● Polished Gold Optic 28795990 ● AXOR FinishPlus* 28795XXX 	
270/270	1	Rain	4.1	11.3	1	<ul style="list-style-type: none"> ● Chrome 28794000 ● Brushed Bronze 28794140 ● Brushed Black Chrome 28794340 ● Matt Black 28794670 ● Brushed Nickel 28794820 ● Polished Gold Optic 28794990 ● AXOR FinishPlus* 28794XXX 	

Required parts:



AXOR Citterio C Basic set for overhead shower ceiling

Code no.

26039180

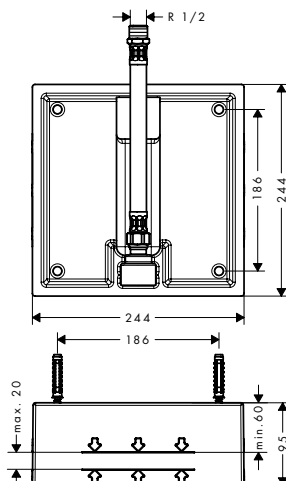
Basic set for overhead shower ceiling

Features

/ minimum mounting depth: 60 mm

/ maximum mounting depth: 80 mm

/ connection dimension: G 1/2



Code no.

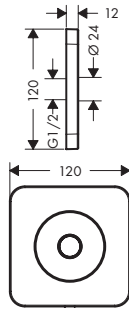
26039180

Wall escutcheon 120/120 softsquare

Features

/ material: metal

/ wall-mounted



Finish	Code no.
Chrome	28801000
Matt Black	28801670
AXOR FinishPlus*	28801XXX

Optional parts:



AXOR Citterio C Overhead shower 270/270 1jet EcoSmart with shower arm

Finish	Code no.
Chrome	28791000
Matt Black	28791670
AXOR FinishPlus*	28791XXX



AXOR Citterio C Overhead shower 270/270 1jet with shower arm

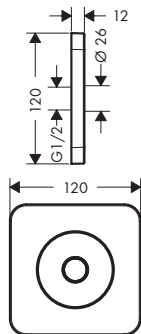
Finish	Code no.
Chrome	28790000
Matt Black	28790670
AXOR FinishPlus*	28790XXX

Ceiling escutcheon 120/120 softsquare

Features

/ material: metal

/ ceiling installation



Finish	Code no.
Chrome	28802000
Brushed Bronze	28802140
Brushed Black Chrome	28802340
Matt Black	28802670
Brushed Nickel	28802820
Polished Gold Optic	28802990
AXOR FinishPlus*	28802XXX

Optional parts:



AXOR Citterio C Overhead shower 270/270 1jet EcoSmart with ceiling connector

Finish	Code no.
Chrome	28793000
Brushed Bronze	28793140
Brushed Black Chrome	28793340
Matt Black	28793670
Brushed Nickel	28793820
Polished Gold Optic	28793990
AXOR FinishPlus*	28793XXX



AXOR Citterio C Overhead shower 270/270 1jet with ceiling connector

Finish	Code no.
Chrome	28792000
Brushed Bronze	28792140
Brushed Black Chrome	28792340
Matt Black	28792670
Brushed Nickel	28792820
Polished Gold Optic	28792990
AXOR FinishPlus*	28792XXX

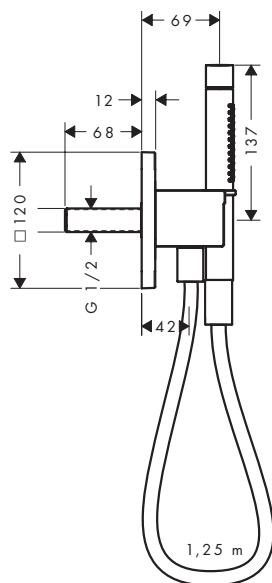
Porter unit 120/120 softsquare with baton hand shower 2jet and textile shower hose

Features

/ consists of: porter unit, baton hand shower, shower hose, shower holder
 / shower head size: 68 x 24 mm
 / spray type: Rain, MonoRain
 / QuickClean: Limescale deposits can simply be rubbed off with your finger

/ maximum flow rate at 3 bar: 8,7 l/min
 / minimum flow pressure: 1 bar
 / operating pressure: min. 1 bar/max. 10 bar
 / shower hose with cylindrical nut on both ends
 / shower hose length: 1600 mm
 / with non-return valve

/ integrated support function
 / wall mounting: screw fastening
 / rinseable filter washer



Technologies



Spray types



Finish	Code no.
Chrome	49626000
Brushed Bronze	49626140
Brushed Black Chrome	49626340
Matt Black	49626670
Brushed Nickel	49626820
Polished Gold Optic	49626990
AXOR FinishPlus*	49626XXX

Shower controls/Thermostats

**AXOR ShowerSelect ID**

Thermostat for concealed installation softsquare for 2 functions

#36754XXX

page 109

**AXOR Citterio M**

Thermostat for concealed installation with shut-off/diverter valve

#34725XXX

page 340

**AXOR One**

Thermostatic module for concealed installation for 2 functions

#45712XXX

page 137

Showers

**AXOR Citterio E**

Shower set 0.90 m with hand shower 120 3jet

#36735XXX

page 316

Further complementary products

**AXOR Universal Softsquare**

Rail bath towel holder 600 mm

#42832XXX

page 620

**AXOR Suite Basins & Bathtub**

Wash bowl 400 without tap hole and overflow

#42001XXX

page 656

**AXOR Drain**

Finish set shower drain 700

#42520XXX

page 688



Basin
Bidet
Bath
Thermostatic module
Valve
Showerpipe
Shower sets
Overhead showers
Hand showers
Porter

AXOR ONE

DESIGN
—
BARBER OSGERBY



“AXOR One provokes the memory of water but heralds a new way of controlling it that is much more precise and incredibly refined.”

EDWARD BARBER AND JAY OSGERBY

AXOR One

The essence of simplicity

A bathroom collection so elegant, elemental and pure, it could be realized only through radical innovation. Whether at the wash basin, bathtub or shower, familiar archetypes have been reinvented for greater clarity, enhanced function and superior control. Timeless by design, and available in Chrome, Matt Black, Matt White and an array of exclusive AXOR FinishPlus surfaces, AXOR One brings exquisite beauty to any bathroom.

Design: Barber Osgerby

Characteristic design feature:

Minimalist design: A familiar archetype with new, innovative interaction.

The designer's idea:

Challenging the archetype through the pursuit of art and science, invention and interaction.

Special collection highlights:

- / Holistic design language of slender silhouettes, flat surfaces, soft corners and balanced proportions
- / Using Select technology: The mechanical tap handles enable precise, water-saving on/off and temperature control
- / A collection of elegant archetypes for the wash basin, bathtub and shower
- / The action is effortless, intuitive and ultra-precise, and this same inventive design thinking characterizes the entire collection
- / Maximum individualization: The exclusive lacquered surface finish Matt Black and Matt White

The Essence of Simplicity with new Interaction

A collection of elegant archetypes for the wash basin, bathtub and shower, AXOR One is unified by a holistic design language of slender silhouettes, flat surfaces, soft corners and balanced proportions. The iconic mixers feature a gentle taper to their curved spouts, a subtle detail that signals exceptional quality of design and manufacturing. Utilizing Select technology, the mechanical mixer handles enable precise, water-saving on/off and temperate control. Positioning the cartridge underneath the wash basin makes the exceptionally slim silhouette possible. At the same time, it allows for fast and easy installation as well as easy service and maintenance: Only the waterpipe needs to be removed, while the cartridge can be easily released thanks to a bayonet clasp.

Familiar Archetype

With its archetypal round arch, the product looks familiar but is enhanced through innovation

Gentle tapered Spout

A subtle detail that signals both precision and exceptional quality of design and manufacturing

Bayonet Clasp

Easy and fast installation of cartridge underneath the wash basin

On/ Off:

Press down on its all-in-one controller—the Select handle—to start or stop the water.



Matt Black

Lacquered surface finish available for all AXOR One products

Minimalist Design

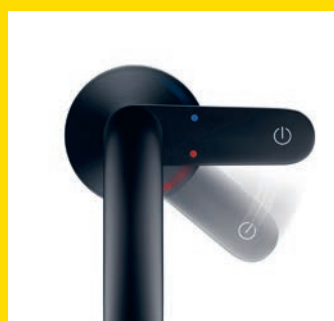
Reduced to the minimum, the product is simple in form and function

Select Technology with coolstart function

The mechanical Select handle enables effortless, intuitive and ultra-precise control and includes a preset CoolStart function

Waterpipe Connection

Ensures water flow from cartridge to mixer above the wash basin



Temperature Control:

Swivel clockwise to increase the temperature. The handle includes a preset CoolStart function, an environmentally friendly technology that helps conserve resources or stop the water.



New interpretation of a 3-hole basin mixer

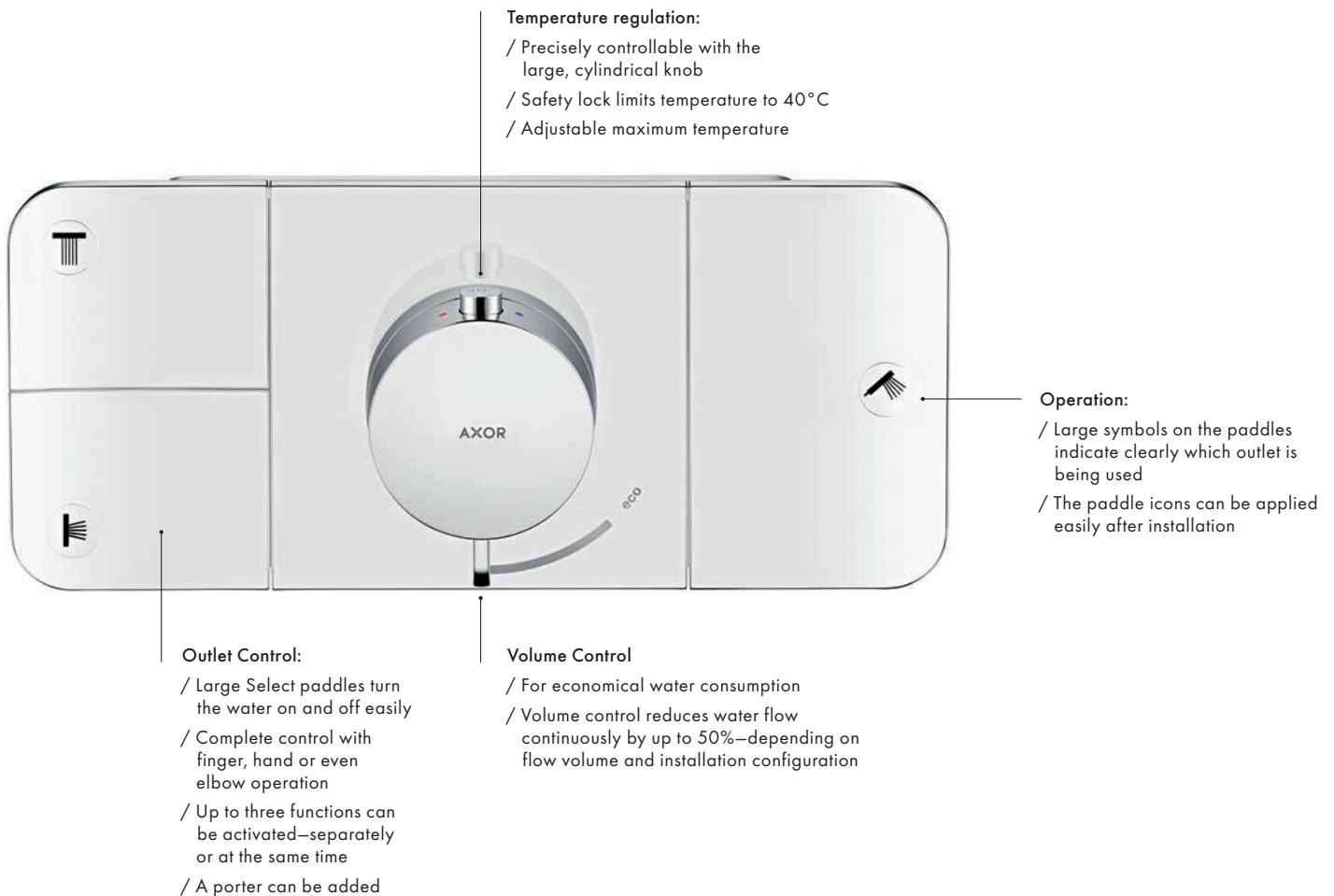
The soft designed handles are very gentle to the touch. By pushing the right handle, with its integrated Select technology, you can start and stop the water flow. By turning the right handle, you can change the temperature. By turning the left handle you can adjust the water flow. This control logic allows for pre-settings for temperature and volume.

The minimalist design story continues with the wash basin mixers with lever handle. The M25XS cartridge allows for a flat handle design. The integrated aerator and the slightly tapered spout emphasizes the quality of design and manufacturing.





The AXOR One thermostat module combines all functions in a single control element for intuitive control of all consumers. Based on the user-friendly Select technology, operated by pressing instead of turning. The Select paddles have mechanical controls, offering high precision.



The floor-standing bathtub mixer catches the eye with a sleek, archetypal form, distinguished by a high parabolic spout. Accompanied by the hand shower 75 1jet, the tap balances a radically reduced aesthetic with exceptional functionality. A diverter elegantly integrated into the spout allows for easy switching of water flow to the hand shower.



Due to its minimalist appearance, the floor-standing AXOR Uno bath spout (# 38412, -000, -670, -xxx) is a perfect match with the AXOR One collection.



Basin mixers Select

Features of all variants

/ consists of: Basin mixer, waste set
 / handle variant: Select
 / spray type: normal spray
 / maximum flow rate at 3 bar: 5 l/min
 / Select cartridge with temperature control

/ temperature limitation adjustable
 / suitable for continuous flow water heaters
 / push-open waste set G 1 1/4
 / material waste set: metal
 / connection type: G 3/8 hose connections

/ connection dimension: DN 15
 / cold water in basic handle position
 / EU taxonomy: max. 6 l/min - Substantial Contribution (SC) possible

140



170



260



Sustainability



Technologies



Overview variants

ComfortZone	Projection (mm)	Spout height (mm)	For wash bowls	Finish	Code no.
140	122	140	-	Chrome	48010000
				Brushed Bronze	48010140
				Brushed Black Chrome	48010340
				Matt Black	48010670
				Matt White	48010700
				Brushed Brass	48010950
				Polished Gold Optic	48010990
				AXOR FinishPlus*	48010XXX
				Chrome	48020000
				Brushed Bronze	48020140
170	140	170	-	Brushed Black Chrome	48020340
				Matt Black	48020670
				Matt White	48020700
				Brushed Brass	48020950
				Polished Gold Optic	48020990
				AXOR FinishPlus*	48020XXX
				Chrome	48030000
				Brushed Bronze	48030140
				Brushed Black Chrome	48030340
				Matt Black	48030670
260	165	265	■	Matt White	48030700
				Brushed Brass	48030950
				Polished Gold Optic	48030990
				AXOR FinishPlus*	48030XXX
				Chrome	48030000
				Brushed Bronze	48030140
				Brushed Black Chrome	48030340
				Matt Black	48030670
				Matt White	48030700
				Brushed Brass	48030950
Polished Gold Optic	48030990				
AXOR FinishPlus*	48030XXX				

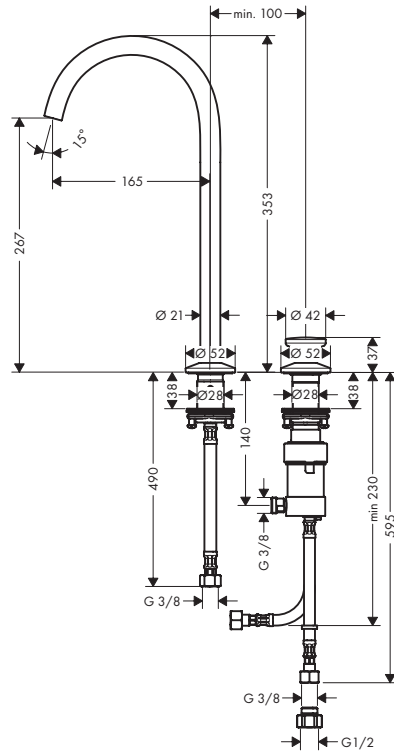
2-hole basin mixer Select 260 with push-open waste set

Features

/ consists of: 2-hole basin mixer, waste set
 / ComfortZone: 260
 / projection: 165 mm
 / spout height: 267 mm
 / handle variant: Select
 / swivel range 120°
 / spray type: normal spray

/ maximum flow rate at 3 bar: 5 l/min
 / Select cartridge with temperature control
 / temperature limitation adjustable
 / suitable for continuous flow water heaters
 / push-open waste set G 1 1/4
 / material waste set: metal
 / connection type: G 3/8 hose connections

/ flexible arrangement of control unit and spout possible
 / the control unit needs approx. 20 cm space underneath the top
 / EU taxonomy: max. 6 l/min - Substantial Contribution (SC) possible



Sustainability



Technologies



Finish	Code no.
Chrome	48060000
Brushed Bronze	48060140
Brushed Black Chrome	48060340
Matt Black	48060670
Matt White	48060700
Brushed Brass	48060950
Polished Gold Optic	48060990
AXOR FinishPlus*	48060XXX

Optional parts:



Hose extension set for 2-hole basin mixer

Code no.

38960000

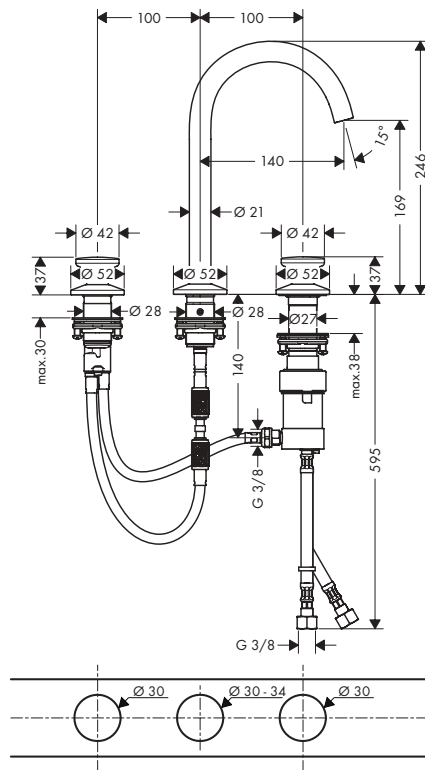
3-hole basin mixer Select 170 with push-open waste set

Features

/ consists of: 3-hole basin mixer, waste set
 / ComfortZone: 170
 / projection: 140 mm
 / spout height: 169 mm
 / handle variant: Select
 / spray type: normal spray

/ maximum flow rate at 3 bar: 5 l/min
 / right handle: Select cartridge with temperature control
 / left handle: volume control
 / temperature limitation adjustable
 / suitable for continuous flow water heaters

/ push-open waste set G 1 1/4
 / material waste set: metal
 / connection type: G 3/8 hose connections
 / connection dimension: DN 15
 / EU taxonomy: max. 6 l/min - Substantial Contribution (SC) possible



Sustainability



Technologies



Finish	Code no.
Chrome	48070000
Brushed Bronze	48070140
Brushed Black Chrome	48070340
Matt Black	48070670
Matt White	48070700
Brushed Brass	48070950
Polished Gold Optic	48070990
AXOR FinishPlus*	48070XXX

Optional parts:



Hose extension set for 3-hole basin mixer

Code no.

38959000

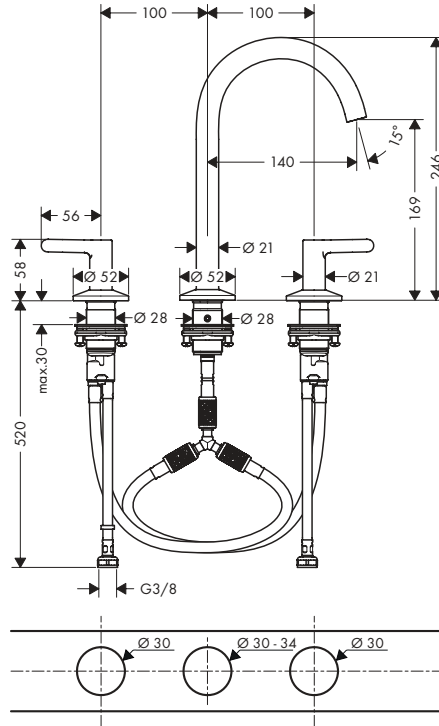
3-hole basin mixer 170 with lever handles and push-open waste set

Features

/ consists of: 3-hole basin mixer, waste set
 / ComfortZone: 170
 / projection: 140 mm
 / spout height: 169 mm
 / handle variant: lever handle
 / swivel range 120°

/ spray type: normal spray
 / maximum flow rate at 3 bar: 5 l/min
 / ceramic valves hot/cold 90°
 / suitable for continuous flow water heaters
 / push-open waste set G 1 1/4
 / material waste set: metal

/ connection type: G 3/8 hose connections
 / connection dimension: DN15
 / EU taxonomy: max. 6 l/min - Substantial Contribution (SC) possible



Sustainability



Technologies



Finish	Code no.
Chrome	48050000
Brushed Bronze	48050140
Brushed Black Chrome	48050340
Matt Black	48050670
Matt White	48050700
Brushed Brass	48050950
Polished Gold Optic	48050990
AXOR FinishPlus*	48050XXX

Optional parts:



Hose extension set for 3-hole basin mixer

Code no.

38959000

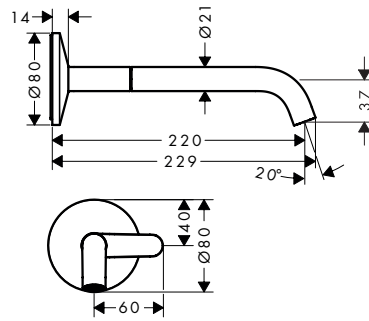
Basin mixer for concealed installation wall-mounted Select with spout 220 mm

Features

/ consists of: basin mixer for concealed installation wall-mounted, waste set
 / projection: 220 mm
 / handle variant: Select
 / spray type: normal spray

/ maximum flow rate at 3 bar: 5 l/min
 / Select cartridge with temperature control
 / suitable for continuous flow water heaters
 / non-closing waste set
 / connection type: basic set

/ connection dimension: DN15
 / EU taxonomy: max. 6 l/min - Substantial Contribution (SC) possible



Sustainability



Technologies



Finish	Code no.
Chrome	48112000
Brushed Bronze	48112140
Brushed Black Chrome	48112340
Matt Black	48112670
Matt White	48112700
Brushed Brass	48112950
Polished Gold Optic	48112990
AXOR FinishPlus*	48112XXX

Required parts:



Basic set for basin mixer for concealed installation wall-mounted Select

Code no.

13625180

Single lever basin mixers

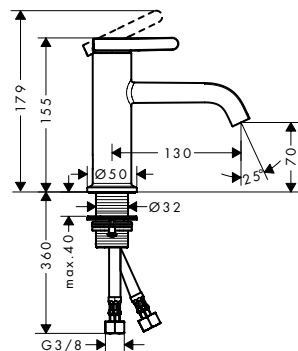
Features of all variants

/ consists of: single lever basin mixer, waste set
 / handle variant: lever handle
 / spray type: normal spray
 / maximum flow rate at 3 bar: 5 l/min

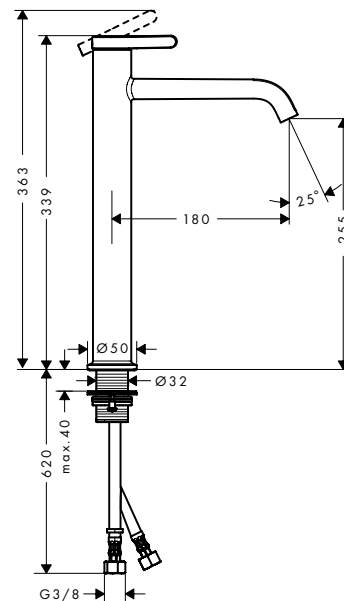
/ ceramic cartridge
 / temperature limitation adjustable
 / suitable for continuous flow water heaters
 / material waste set: metal

/ connection type: G 3/8 hose connections
 / connection dimension: DN15
 / EU taxonomy: max. 6 l/min - Substantial Contribution (SC) possible

70



260



Sustainability


























Technologies



Single lever basin mixers

Overview variants

ComfortZone	Projection (mm)	Spout height (mm)	Waste set	For wash bowls	Finish	Code no.
70	130	70	pop-up	-	 Chrome	48000000
					 Brushed Bronze	48000140
					 Brushed Black Chrome	48000340
					 Matt Black	48000670
					 Matt White	48000700
					 Brushed Brass	48000950
					 Polished Gold Optic	48000990
					 AXOR FinishPlus*	48000XXX
					70	130
 Brushed Bronze	48001140					
 Brushed Black Chrome	48001340					
 Matt Black	48001670					
 Matt White	48001700					
 Stainless Steel Optic	48001800					
 Brushed Brass	48001950					
 Polished Gold Optic	48001990					
 AXOR FinishPlus*	48001XXX					
260	180	255	non-closing	■		
					 Brushed Bronze	48002140
					 Brushed Black Chrome	48002340
					 Matt Black	48002670
					 Matt White	48002700
					 Brushed Brass	48002950
					 Polished Gold Optic	48002990
					 AXOR FinishPlus*	48002XXX

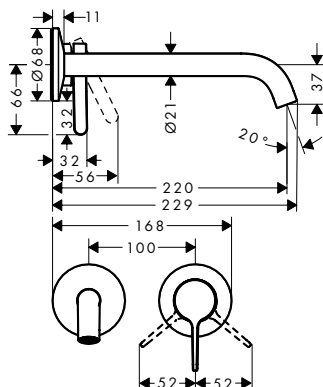
Single lever basin mixer for concealed installation wall-mounted with lever handle and spout 220 mm

Features

- / consists of: single lever basin mixer for concealed installation wall-mounted, waste set
- / projection: 220 mm
- / handle variant: lever handle
- / spray type: normal spray
- / maximum flow rate at 3 bar: 5 l/min

- / ceramic cartridge
- / temperature limitation adjustable
- / suitable for continuous flow water heaters
- / non-closing waste set
- / connection type: basic set
- / connection dimension: DN 15

- / handle can be positioned on the right or left, depending on the basic set installation
- / EU taxonomy: max. 6 l/min - Substantial Contribution (SC) possible



Sustainability



Technologies



Finish	Code no.
Chrome	48120000
Brushed Bronze	48120140
Brushed Black Chrome	48120340
Matt Black	48120670
Matt White	48120700
Brushed Brass	48120950
Polished Gold Optic	48120990
AXOR FinishPlus*	48120XXX

Required parts: Code no.



Basic set for single lever basin mixer for concealed installation wall-mounted

13623180

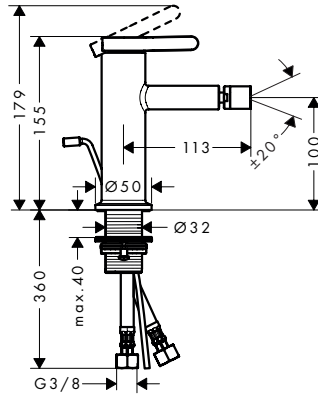
Single lever bidet mixer with pop-up waste set

Features

/ consists of: single lever bidet mixer, waste set
 / projection: 113 mm
 / spout height: 100 mm
 / aerator with ball pivot
 / spray type: normal spray

/ maximum flow rate at 3 bar: 5 l/min
 / ceramic cartridge
 / temperature limitation adjustable
 / suitable for continuous flow water heaters
 / pop-up waste set G 1¼

/ material waste set: metal
 / connection type: G ¾ hose connections
 / connection dimension: DN15
 / EU taxonomy: max. 6 l/min - Substantial Contribution (SC) possible



Sustainability



Technologies



Finish	Code no.
Chrome	48210000
Brushed Bronze	48210140
Brushed Black Chrome	48210340
Matt Black	48210670
Matt White	48210700
Brushed Brass	48210950
Polished Gold Optic	48210990
AXOR FinishPlus*	48210XXX

Single lever bath mixer floor-standing

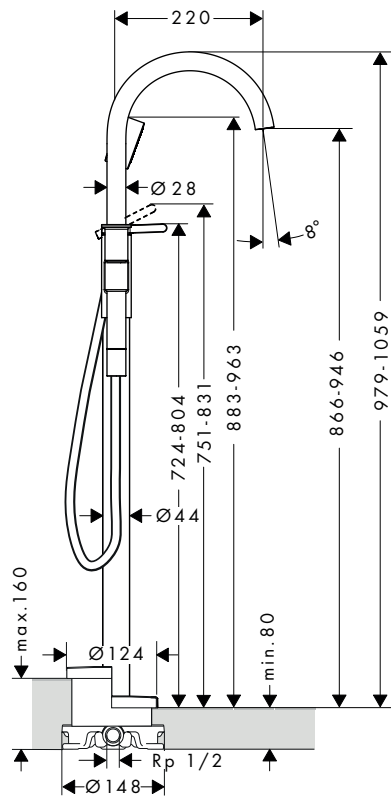
Features

- / consists of: single lever bath mixer floor standing, hand shower, shower hose, shower holder
- / 2 functions
- / projection: 220 mm
- / spray type mixer: normal spray
- / spray type hand shower: PowderRain
- / maximum flow rate at 3 bar: 21,5 l/min
- / flow rate for bath spout at 3 bar: 21,5 l/min
- / flow rate of hand shower at 3 bar: 8 l/min
- / ceramic cartridge
- / temperature limitation adjustable
- / diverter with automatic resetting
- / non-return valve
- / connection dimension: DN 15
- / connection type: basic set
- / deck mounted
- / min. operating pressure: 1 bar
- / max. operating pressure: 10 bar

Technologies



Spray types



Finish	Code no.
Chrome	48440000
Brushed Bronze	48440140
Brushed Black Chrome	48440340
Matt Black	48440670
Matt White	48440700
Brushed Brass	48440950
Polished Gold Optic	48440990
AXOR FinishPlus*	48440XXX

Consisting of: Included in Code no.

	AXOR Starck Metal effect shower hose 1.25 m with cylindrical nuts	48440XXX	28282XXX
	AXOR One Hand shower 75 1jet EcoSmart	48440XXX	48651XXX

Required parts: Code no.

	Basic set for mixers floor-standing	10452180
--	-------------------------------------	----------

Optional parts: Code no.

	Sealing foil for basic set bath mixer floor-standing	96441000
	Extension 60 mm for pipe	93882000
	AXOR Starck Extension 60 mm for pipe	97866000

Thermostatic modules for concealed installation

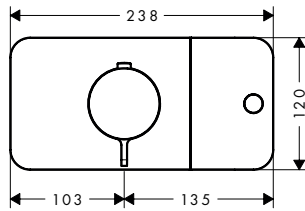
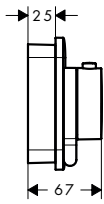
Features of all variants

/ comfortable turning on / off of outlets with large Select-paddle
 / Eco-Function: flow rate regulation via lever handle, depending on volume flow and installation situation approx. 50% flow rate reduction

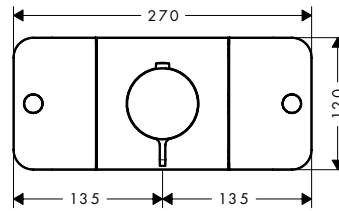
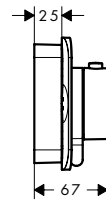
/ thermost cartridge, Start/stop valve to operate the functions
 / flow rate per outlet: 24 l/min
 / min. operating pressure: 1 bar
 / max. operating pressure: 5 bar
 / Safety stop at 40 °C

/ temperature limitation adjustable
 / the thermostat offers the possibility for thermal disinfection
 / non-return valve
 / connection type: basic set

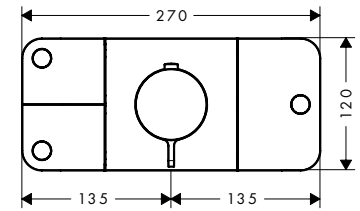
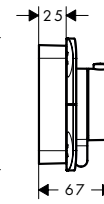
1 function



2 functions



3 functions



Sustainability



Technologies



Certificates/declarations



Overview variants









Number of functions	Max. flow rate at 3 bar (l/min)	Flow rate per user	Finish	Code no.			
1 function	24	24	Chrome	45711000			
			Brushed Bronze	45711140			
			Brushed Black Chrome	45711340			
			Matt Black	45711670			
			Matt White	45711700			
			Brushed Brass	45711950			
			Polished Gold Optic	45711990			
			AXOR FinishPlus*	45711XXX			
			2 functions	30	24	Chrome	45712000
						Brushed Bronze	45712140
Brushed Black Chrome	45712340						
Matt Black	45712670						
Matt White	45712700						
Brushed Brass	45712950						
Polished Gold Optic	45712990						
AXOR FinishPlus*	45712XXX						


For more information about this product, please see the next page.



* AXOR FinishPlus: For further AXOR FinishPlus surfaces please see the AXOR FinishPlus overview on page 33.

Thermostatic modules for concealed installation

Overview variants

Number of functions	Max. flow rate at 3 bar (l/min)	Flow rate per user	Finish	Code no.
3 functions	30	24	 Chrome	45713000
			 Brushed Bronze	45713140
			 Brushed Black Chrome	45713340
			 Matt Black	45713670
			 Matt White	45713700
			 Brushed Brass	45713950
			 Polished Gold Optic	45713990
			 AXOR FinishPlus*	45713XXX

Required parts:			Code no.
	AXOR One Basic set for thermostatic module for concealed installation		45710180

Optional parts:		Finish	Code no.
	AXOR One Extension set 25 mm for basic set thermostatic module		45790000
		 AXOR FinishPlus*	45790XXX

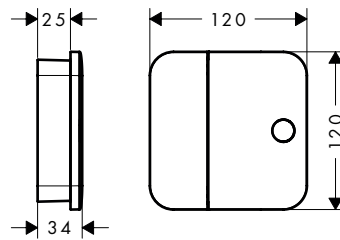
Shut-off valve for concealed installation

Features

/ comfortable turning on / off of outlets with large Select-paddle









/ connection type: basic set / 1 function

/ connection dimension: DN15 / material: metal



Technologies



Finish	Code no.
 Chrome	45771000
 Brushed Bronze	45771140
 Brushed Black Chrome	45771340
 Matt Black	45771670
 Matt White	45771700
 Brushed Brass	45771950
 Polished Gold Optic	45771990
 AXOR FinishPlus*	45771XXX

Required parts:			Code no.
	AXOR One Basic set for shut-off valve for concealed installation		45770180

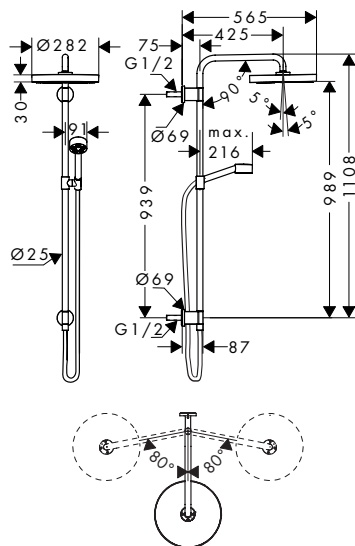
Showerpipe 280 1jet for concealed installation

Features

- / consists of: overhead shower, hand shower, wall outlet, shower hose, slider, shower bar
- / overhead shower AXOR One 280 1jet
- / shower head size overhead shower: 280 mm
- / spray type overhead shower: PowderRain and Rain in combination
- / requires a mixer for 2 functions

- / spray type hand shower: PowderRain
- / flow rate of hand shower at 3 bar: 8,3 l/min
- / maximum flow rate for Showerpipe at 3 bar: 12,7 l/min
- / minimum flow pressure: 2 bar
- / max. operating pressure: 10 bar
- / ball-joint: overhead shower angle adjustable

- / shower holder inclination angle can be adjusted continously
- / mounting type: concealed
- / shower bar diameter: 25 mm
- / height-adjustable slider
- / swivelling shower arm
- / connection dimension: DN15



Technologies



Spray types



Finish	Code no.
Chrome	48790000
Brushed Bronze	48790140
Brushed Black Chrome	48790340
Matt Black	48790670
Matt White	48790700
Brushed Brass	48790950
Polished Gold Optic	48790990
AXOR FinishPlus*	48790XXX

Required parts:

	Code no.
AXOR One Basic set for Showerpipe	48798180

Optional parts:

	Finish	Code no.
AXOR One Thermostatic module for concealed installation for 2 functions	Chrome	45712000
	Brushed Bronze	45712140
	Brushed Black Chrome	45712340
	Matt Black	45712670
	Matt White	45712700
	Brushed Brass	45712950
	Polished Gold Optic	45712990
	AXOR FinishPlus*	45712XXX

Basic set for Showerpipe

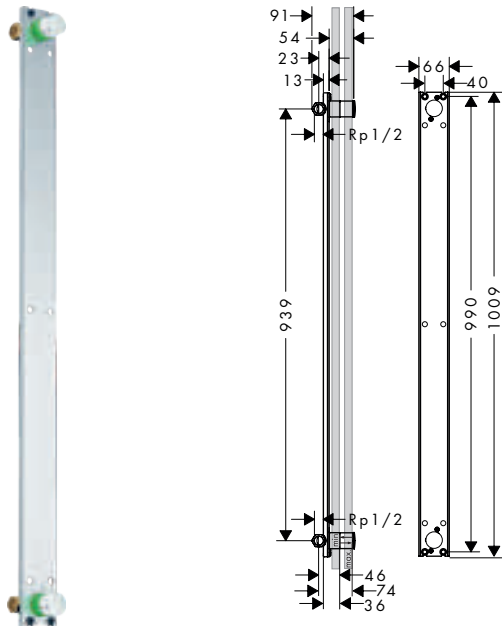
Features

/ suitable for AXOR One Showerpipe 48790XXX
/ connection dimension: G 1/2

/ sound-decoupled installation
/ minimum mounting depth: 46 mm

/ maximum mounting depth: 74 mm

Code no.
48798180



Shower set 75 1jet EcoSmart with wall connection

Features

/ consists of: hand shower, shower bar, shower hose, slider
/ shower head size: 73 mm
/ spray type: PowderRain
/ QuickClean: Limescale deposits can simply be rubbed off with your finger

/ maximum flow rate at 3 bar: 9,1 l/min
/ minimum flow pressure: 0,8 bar
/ operating pressure: min. 1.5 bar/max. 6 bar
/ metal hand shower holder
/ wall supports of metal
/ profile pipe: round

/ shower bar diameter: 25 mm
/ drilling distance: 929 mm
/ shower hose with conical nut on both ends
/ pivot connector prevents hose from tangling

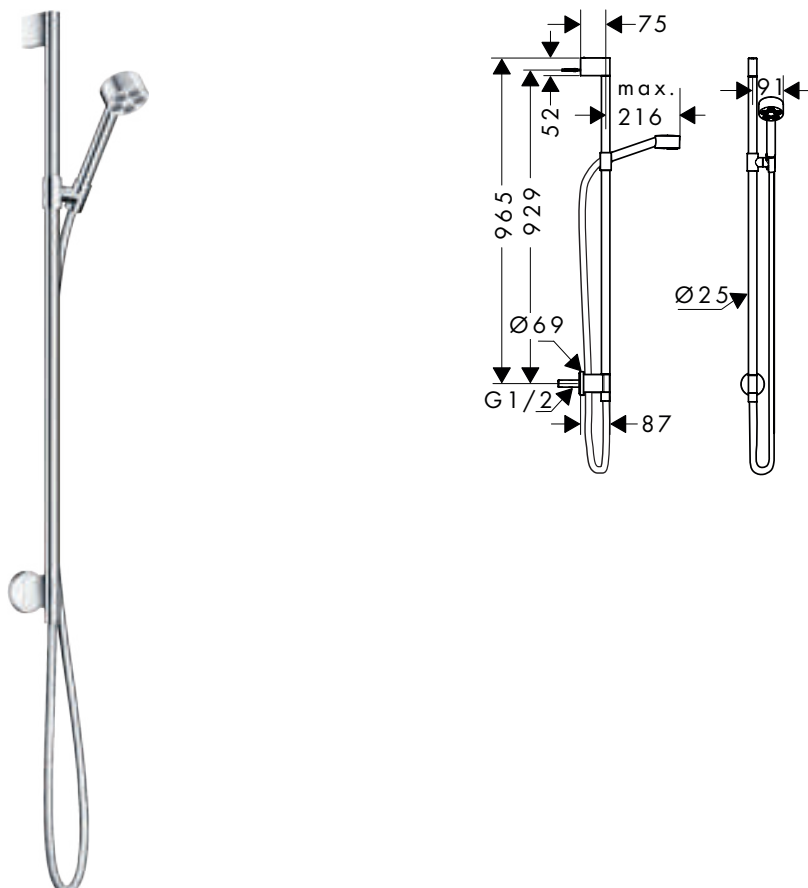
Sustainability



Technologies



Spray types



Finish	Code no.
Chrome	48791000
Brushed Bronze	48791140
Brushed Black Chrome	48791340
Matt Black	48791670
Matt White	48791700
Brushed Brass	48791950
Polished Gold Optic	48791990
AXOR FinishPlus*	48791XXX

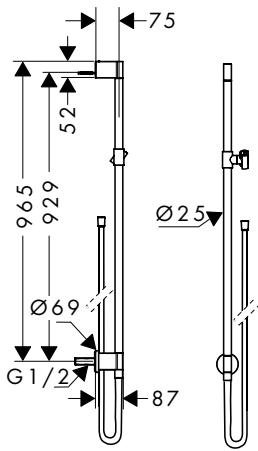
Shower bar 0,90 m with wall connection and shower hose 1.60 m

Features

/ consists of: shower bar, slider, wall outlet, shower hose
 / pivot connector prevents hose from tangling
 / for shower hoses with a conical nut

/ pipe length: 965 mm
 / shower bar diameter: 25 mm
 / profile pipe: round
 / drilling distance: 929 mm

/ shower hose length: 1600 mm
 / metal hand shower holder
 / slider steplessly adjustable
 / wall supports of metal



Finish	Code no.
Chrome	48792000
Brushed Bronze	48792140
Brushed Black Chrome	48792340
Matt Black	48792670
Matt White	48792700
Brushed Brass	48792950
Polished Gold Optic	48792990
AXOR FinishPlus*	48792XXX

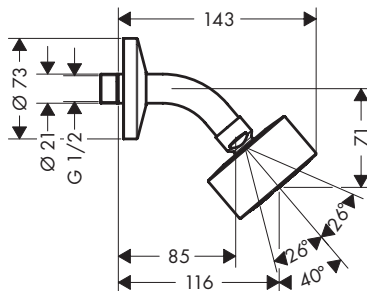
Overhead shower 75 1jet EcoSmart with shower arm

Features

/ consists of: overhead shower, shower arm
 / shower head size: 73 mm
 / spray type: PowderRain
 / flow rate PowderRain spray at 3 bar: 8,7 l/min
 / function from: 6,3 l/min
 / maximum flow rate at 3 bar: 8,7 l/min

/ minimum flow pressure: 1 bar
 / projection: 116 mm
 / overhead shower angle adjustable
 / material spray disc: metal
 / overhead shower removable for cleaning
 / shower arm length: 85 mm

/ installation: wall
 / connection thread: G 1/2
 / connection dimension: DN15
 / suitable for continuous flow water heaters



Sustainability



Technologies



Spray types



Finish	Code no.
Chrome	48490000
Brushed Bronze	48490140
Brushed Black Chrome	48490340
Matt Black	48490670
Matt White	48490700
Brushed Brass	48490950
Polished Gold Optic	48490990
AXOR FinishPlus*	48490XXX

Overhead shower 2jet, 1jet with shower arm

Features of all variants

/ consists of: overhead shower, shower arm
 / shower head size: 280 mm
 / material spray disc: metal

/ overhead shower removable for cleaning
 / installation: wall
 / connection dimension: DN15

/ suitable for continuous flow water heaters

2 spray types



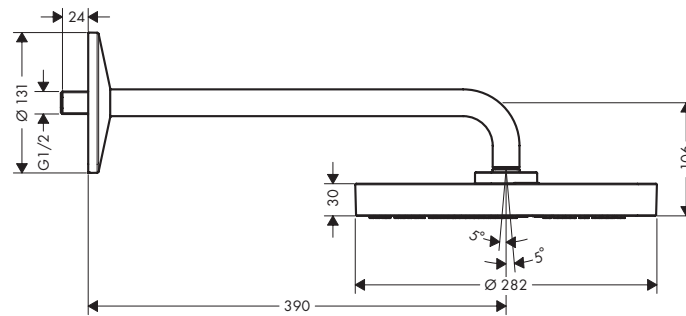
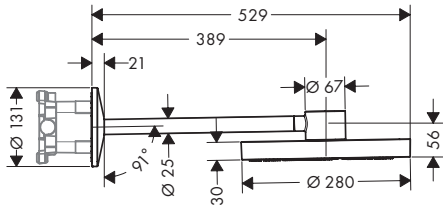
1 spray type



Technologies



Spray types



Overview variants

Shower head size	Number of sprays	Spray types	Max. flow rate at 3 bar (l/min)	Min. flow pressure (bar)	Length shower arm (mm)	Finish	Code no.						
280	2	PowderRain, Rain	12	1.5	389	Chrome	48492000						
						Brushed Bronze	48492140						
						Brushed Black Chrome	48492340						
						Matt Black	48492670						
						Matt White	48492700						
						Brushed Brass	48492950						
						Polished Gold Optic	48492990						
						AXOR FinishPlus*	48492XXX						
						280	1	PowderRain and Rain in combination	12.3	1.2	390	Chrome	48491000
												Brushed Bronze	48491140
Brushed Black Chrome	48491340												
Matt Black	48491670												
Matt White	48491700												
Brushed Brass	48491950												
Polished Gold Optic	48491990												
AXOR FinishPlus*	48491XXX												

Required parts:	For	Code no.
AXOR ShowerSolutions Basic set for overhead shower with shower arm	48492XXX	35361180

Overhead showers 2jet, 1jet with ceiling connector

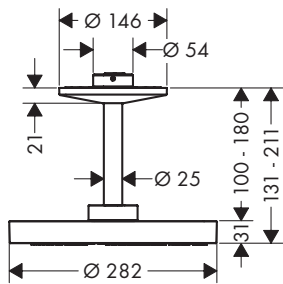
Features of all variants

/ consists of: overhead shower, ceiling connector
 / shower head size: 280 mm
 / material spray disc: metal

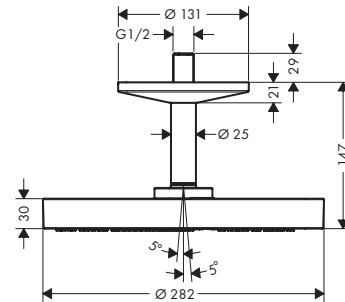
/ overhead shower removable for cleaning
 / metal ceiling connector
 / installation: ceiling mounting

/ connection dimension: DN15
 / suitable for continuous flow water heaters

2 spray types



1 spray type



Technologies





Spray types



Overview variants

Shower head size	Number of sprays	Spray types	Max. flow rate at 3 bar (l/min)	Min. flow pressure (bar)	Finish	Code no.					
280	2	PowderRain, Rain	18	1.5	Chrome	48494000					
					Brushed Bronze	48494140					
					Brushed Black Chrome	48494340					
					Matt Black	48494670					
					Matt White	48494700					
					Brushed Brass	48494950					
					Polished Gold Optic	48494990					
					AXOR FinishPlus*	48494XXX					
					280	1	PowderRain and Rain in combination	12.2	1.4	Chrome	48493000
										Brushed Bronze	48493140
Brushed Black Chrome	48493340										
Matt Black	48493670										
Matt White	48493700										
Brushed Brass	48493950										
Polished Gold Optic	48493990										
AXOR FinishPlus*	48493XXX										

Required parts:	For	Code no.
 AXOR ShowerSolutions Basic set for overhead shower with ceiling connector	48494XXX	26434180

Optional parts:	For	Finish	Code no.
 AXOR One Ceiling connector 300 mm for overhead shower 280 2jet	48494XXX	Chrome	48496000
		Brushed Bronze	48496140
		Brushed Black Chrome	48496340
		Matt Black	48496670
		Matt White	48496700
		Brushed Brass	48496950
		Polished Gold Optic	48496990
		AXOR FinishPlus*	48496XXX

For more information about this product, please see the next page.

Overhead showers 2jet, 1jet with ceiling connector

Optional parts:



AXOR One Ceiling connector 300 mm for overhead shower 280 1jet

For	Finish	Code no.
48493XXX	Chrome	48495000
	Brushed Bronze	48495140
	Brushed Black Chrome	48495340
	Matt Black	48495670
	Matt White	48495700
	Brushed Brass	48495950
	Polished Gold Optic	48495990
	AXOR FinishPlus*	48495XXX

Hand shower 75 1jet EcoSmart

Features

/ shower head size: 73 mm

/ spray type: PowderRain

/ QuickClean: Limescale deposits can simply be rubbed off with your finger

/ maximum flow rate at 3 bar: 9,1 l/min

/ function from: 5,8 l/min

/ minimum flow pressure: 0,8 bar

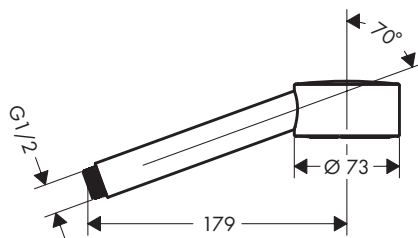
/ material: metal

/ with internal water conduction

/ rinseable filter washer

/ connection thread: G 1/2

/ suitable for continuous flow water heaters



Sustainability



Technologies



Spray types



Finish	Code no.
Chrome	48651000
Brushed Bronze	48651140
Brushed Black Chrome	48651340
Matt Black	48651670
Matt White	48651700
Brushed Brass	48651950
Polished Gold Optic	48651990
AXOR FinishPlus*	48651XXX

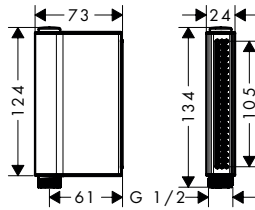
Hand shower 2jet

Features

/ shower head size: 124 x 24 mm
 / spray type: Rain, RainFlow
 / convenient spray selection via Select button
 / QuickClean: Limescale deposits can simply be rubbed off with your finger

/ maximum flow rate at 3 bar: 12 l/min
 / minimum flow pressure: 2,4 bar
 / with internal water conduction
 / rinseable filter washer
 / connection thread: G 1/2

/ suitable for continuous flow water heaters
 / not recommended for rim-/ tile-mounted mixers



Technologies



Spray types



Finish	Code no.
Chrome	45720000
Brushed Bronze	45720140
Brushed Black Chrome	45720340
Matt Black	45720670
Matt White	45720700
Brushed Brass	45720950
Polished Gold Optic	45720990
AXOR FinishPlus*	45720XXX

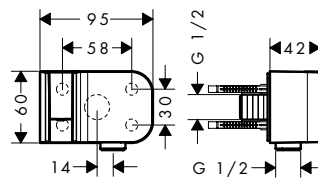
Porter unit

Features

/ for hoses with cylindrical nuts
 / integrated support function

/ metal
 / non-return valve

/ connection type: G 1/2



Finish	Code no.
Chrome	45723000
Brushed Bronze	45723140
Brushed Black Chrome	45723340
Matt Black	45723670
Matt White	45723700
Brushed Nickel	45723820
Brushed Brass	45723950
Polished Gold Optic	45723990
AXOR FinishPlus*	45723XXX

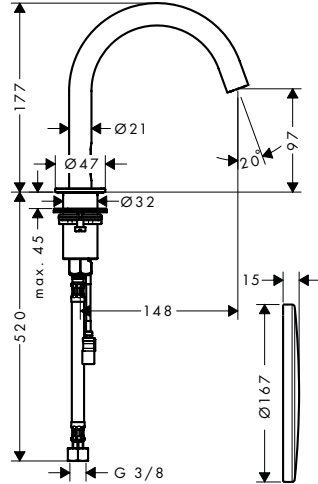
Electronic basin mixer with temperature pre-adjustment with mains connection 230 V

Features

- / ComfortZone 100
- / projection: 148 mm
- / spray type: normal spray
- / maximum flow rate at 3 bar: 3,5 l/min
- / temperature adjustable via basic set
- / suitable for continuous flow water heaters
- / infrared sensor technology

- / automatic environmental adjustment of infrared sensor
- / adjustable optical range of infrared sensor (2 settings)
- / 230 V / 50 Hz mains connection
- / running time: 10 s
- / hygiene rinse activatable (automatic water flow)
- / frequency of hygiene rinse: 24 h

- / flushing time hygiene rinse: 10 s
- / permanent rinse activatable (single water flow for 180 seconds, suitable for thermal disinfection)
- / cleaning mode: manual water stop for washbasin cleaning
- / connection dimension: DN 15
- / dirt filters in the connection hoses



Sustainability



Technologies



Finish	Code no.
Chrome	38010000
Matt Black	38010670
Matt White	38010700
AXOR FinishPlus*	38010XXX

i This product is not available in the AXOR FinishPlus surfaces Red Gold and Black Chrome.

! Required parts:



AXOR Uno Basic set for electronic basin mixer

Code no.

16182180

Electronic basin mixers for concealed installation wall-mounted

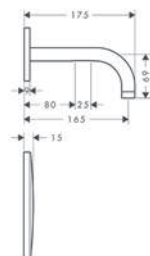
Features of all variants

- / spray type: normal spray
- / maximum flow rate at 3 bar: 5 l/min
- / temperature adjustable via basic set
- / infrared sensor technology
- / automatic environmental adjustment of infrared sensor
- / adjustable optical range of infrared sensor (5 settings)

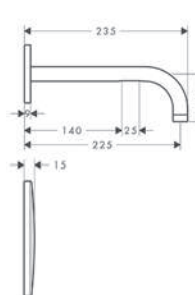
- / 230 V / 50 Hz mains connection
- / hygiene rinse activatable (automatic water flow)
- / frequency of hygiene rinse: 24 h
- / flushing time hygiene rinse: 10 s
- / permanent rinse activatable (single water flow for 180 seconds, suitable for thermal disinfection)
- / cleaning mode: manual water stop for washbasin cleaning

- / dirt filters in the connection hoses
- / for ideal function please note a minimum distance of 140 mm from the aerators center to the back rim of the wash basin

165



225



Sustainability



Technologies



Certificates/declarations



Electronic basin mixers for concealed installation wall-mounted

Overview variants

Projection (mm)	Finish	Code no.
165	Chrome	38119000
	Brushed Black Chrome	38119340
	Matt Black	38119670
	Matt White	38119700
	AXOR FinishPlus*	38119XXX
225	Chrome	38120000
	Brushed Black Chrome	38120340
	Matt Black	38120670
	Matt White	38120700
	AXOR FinishPlus*	38120XXX

Required parts:

	Code no.
Basic set for electronic basin mixer for concealed installation wall-mounted	16180180

Optional parts:

	For	Code no.
Extension 25 mm for basic set for electronic basin mixer wall-mounted	38119XXX	13594000

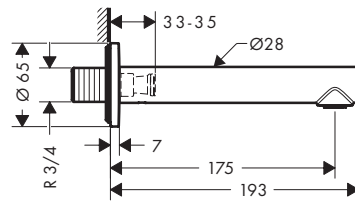
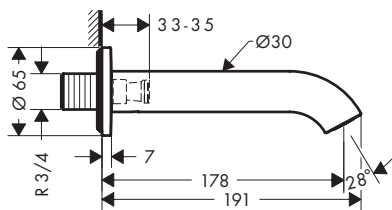
Bath spouts

Features of all variants

/ 1 function
/ with escutcheon

/ wall-mounted
/ maximum flow rate at 3 bar: 19 l/min

/ connection dimension: DN20
/ spray type: normal spray



Overview variants

Projection (mm)	Version	Finish	Code no.
178	curved	Chrome	38411000
		Brushed Black Chrome	38411340
		Matt Black	38411670
		Matt White	38411700
		AXOR FinishPlus*	38411XXX
175	straight	Chrome	45410000
		Brushed Black Chrome	45410340
		AXOR FinishPlus*	45410XXX

* AXOR FinishPlus: For further AXOR FinishPlus surfaces please see the AXOR FinishPlus overview on page 33.

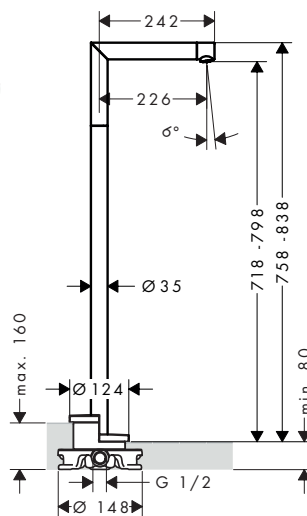
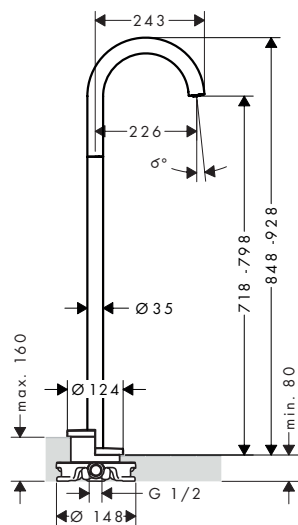
Bath spouts floor-standing

Features of all variants

/ 1 function
/ connection type: basic set

/ projection: 226 mm
/ free-standing installation

/ maximum flow rate at 3 bar: 18 l/min
/ spray type: normal spray



Overview variants

Projection (mm)	Version	Finish	Code no.
226	curved	Chrome	38412000
		Brushed Black Chrome	38412340
		Matt Black	38412670
		Matt White	38412700
		AXOR FinishPlus*	38412XXX
226	straight	Chrome	45412000
		Brushed Black Chrome	45412340
		AXOR FinishPlus*	45412XXX

Required parts: Code no.



Basic set for mixers floor-standing

10452180

Optional parts: Code no.



Sealing foil for basic set bath mixer floor-standing

96441000

Metal effect shower hoses

Features of all variants

/ high-quality shower hose with metal effect
/ with plastic coating, easy to clean

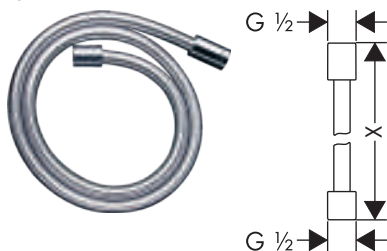
/ pivot connector prevents hose from tangling
/ kink-protected

/ connection thread: G 1/2

conical nut on both sides



cylindrical nut on both sides



Certificates/declarations



AXOR
One

Overview variants

Nuts shower hose	Length (m)	Finish	Code no.
conical on both sides	2,00	Chrome	28624000
		Brushed Bronze	28624140
		Brushed Black Chrome	28624340
		Matt Black	28624670
		Polished Gold Optic	28624990
		AXOR FinishPlus*	28624XXX
conical on both sides	1,60	Chrome	28626000
		Brushed Bronze	28626140
		Brushed Black Chrome	28626340
		Matt Black	28626670
		Polished Gold Optic	28626990
		AXOR FinishPlus*	28626XXX
conical on both sides	1,25	Chrome	28622000
		Brushed Bronze	28622140
		Brushed Black Chrome	28622340
		Matt Black	28622670
		Polished Gold Optic	28622990
		AXOR FinishPlus*	28622XXX
cylindrical on both sides	2,00	Chrome	28284000
		Brushed Bronze	28284140
		Brushed Black Chrome	28284340
		Polished Gold Optic	28284990
		AXOR FinishPlus*	28284XXX
		cylindrical on both sides	1,60
Brushed Bronze	28286140		
Brushed Black Chrome	28286340		
Matt Black	28286670		
Matt White	28286700		
Polished Gold Optic	28286990		
AXOR FinishPlus*	28286XXX		

For more information about this product, please see the next page.

Metal effect shower hoses

Overview variants

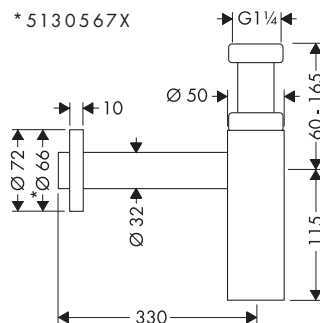
Nuts shower hose	Length (m)	Finish	Code no.
cylindrical on both sides	1,25	Chrome	28282000
		Brushed Bronze	28282140
		Brushed Black Chrome	28282340
		Matt Black	28282670
		Matt White	28282700
		Polished Gold Optic	28282990
		AXOR FinishPlus*	28282XXX

Design trap Flowstar S

Features

/ adjustment distance 60 - 165 mm
/ distance to wall 330 mm

/ odour trap - backwater height is 75 mm
/ connection dimension entry: G 1¼



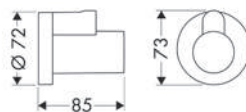
Finish	Code no.
Chrome	51305000
Brushed Bronze	51305140
Brushed Black Chrome	51305340
Matt Black	51305670
Matt White	51305700
Polished Gold Optic	51305990
AXOR FinishPlus*	51305XXX

Cover

Features

/ for angle valve

/ packaging unit: 1 piece



Finish	Code no.
Chrome	51306000
Brushed Bronze	51306140
Brushed Black Chrome	51306340
Matt Black	51306670
Matt White	51306700
Polished Gold Optic	51306990
AXOR FinishPlus*	51306XXX

Shower controls**AXOR ShowerSelect ID**

Thermostat for concealed installation round
for 2 functions

#36750XXX

page 553

Further complementary products**AXOR Universal Circular**

Bath towel rail 600 mm

#42860XXX

page 613

**AXOR Suite Basins & Bathtub**

Wash bowl 400 without tap hole and overflow

#42001XXX

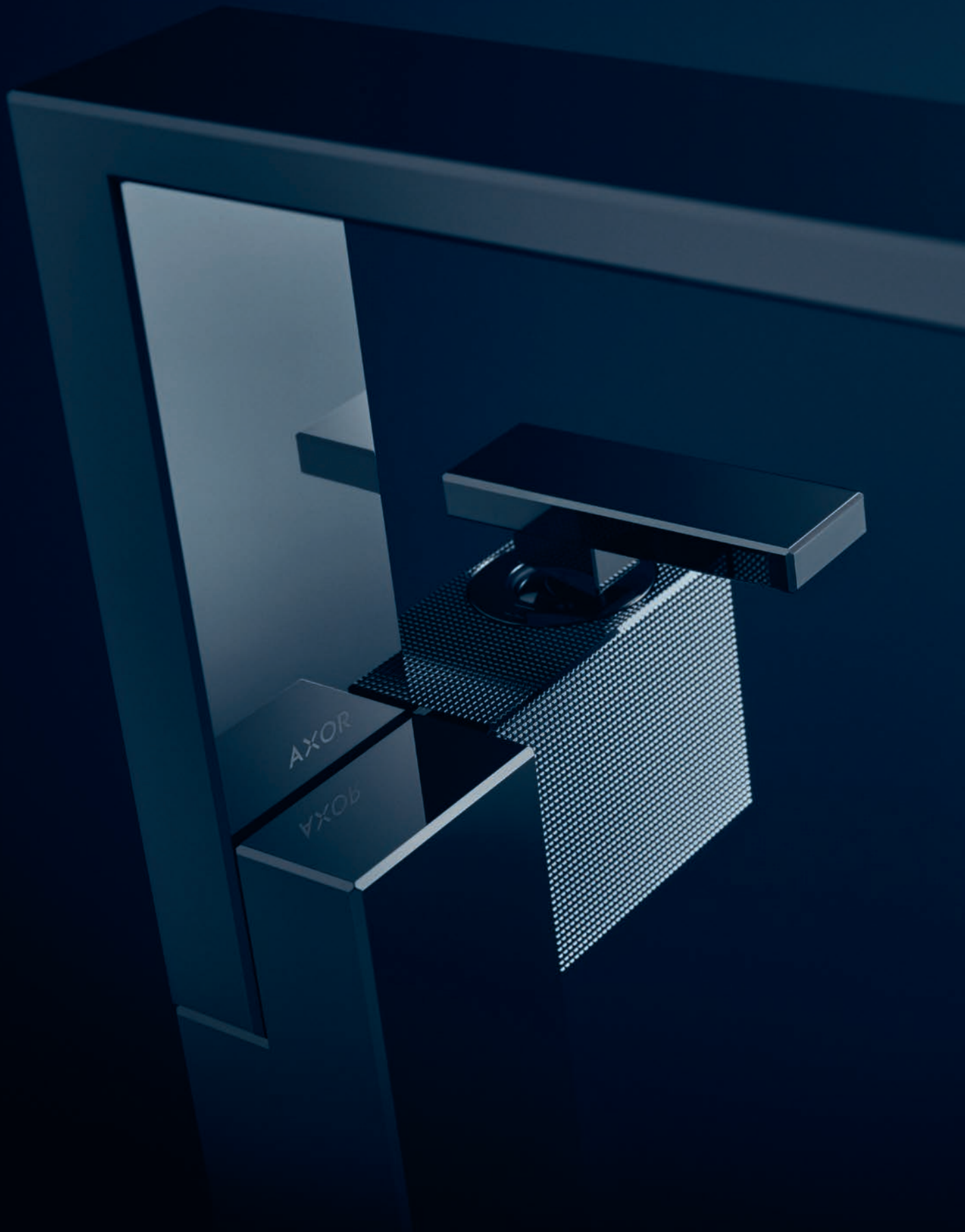
page 656

**AXOR Drain**

Finish set shower drain 700

#42520XXX

page 688





Basin

Bidet

Bath

Shower

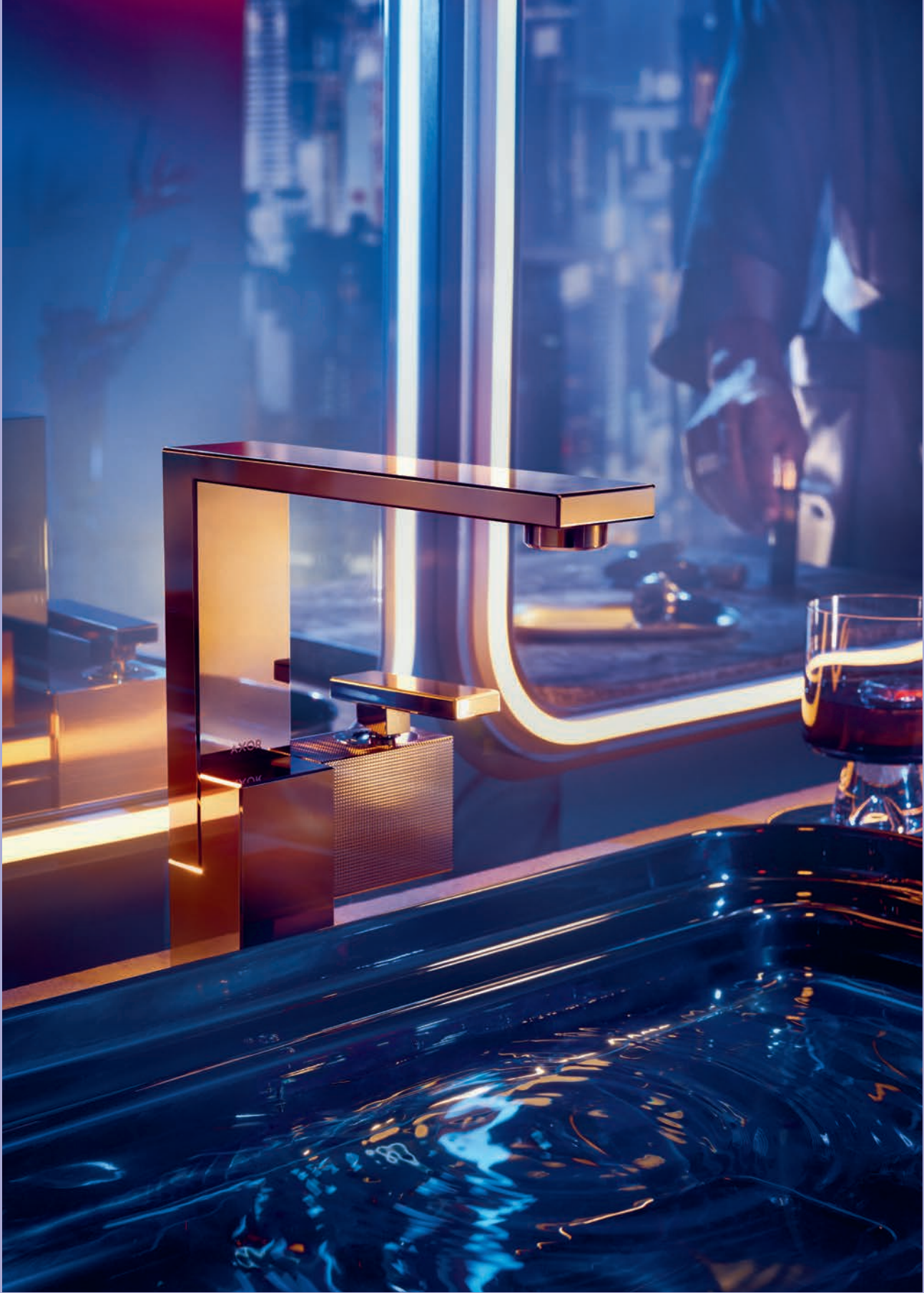
Thermostatic mixers / valves / diverters

AXOR EDGE

DESIGN

—

JEAN-MARIE MASSAUD





“With AXOR Edge, we explore the world of extreme refinement and uniqueness.”

JEAN-MARIE MASSAUD

AXOR Edge

The power of architectonics

AXOR Edge is a masterpiece in the tradition of the early 20th century avantgarde. Cubes, the distinctive design element, are put together asymmetrically to form an architectonic sculpture. In addition to the geometric shapes, the collection is characterized by the ultra-precision of its surfaces and edges, which turns the fixtures into brilliant, high-gloss jewels for the bathroom.

Design: Jean-Marie Massaud

Characteristic design feature:

Avant-garde design: Asymmetrically arranged blocks create a mixer that is an architectonic sculpture.

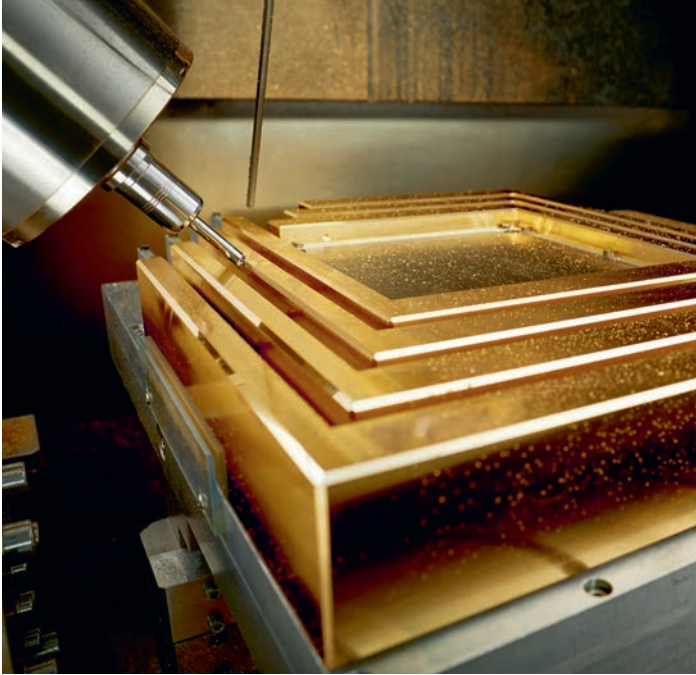
The designer's idea:

Jewels for the bathroom: With AXOR Edge we wanted to make a sculpture out of an object we use every day, a sculpture that evokes emotion with its precise edges, high-gloss surfaces and refined structures.

Special collection highlights:

- / High-gloss surfaces: The brilliance is generated by especially precise milling of the surfaces and edges
- / New production technology: Using a diamond-cutting machine of the latest generation. It sets new technological standards in the manufacturing process. The precision is comparable to that of the watch, jewelry and optical industries
- / Diamond-cut: Fine, luxurious structural details provide exciting contrasts and a special sensory experience
- / Complete set of bathroom fittings: Mixers for the wash basin and bathtub as well as thermostats for the shower
- / AXOR Edge is the second collection created in cooperation with French star designer Jean-Marie Massaud

When diamonds are used in a production process, it's to ensure the greatest precision and the finest details with the most refined materials. Precision is the foundation for brilliance, and production with diamonds is the benchmark for perfect surfaces and edges. Manufacturing AXOR Edge depends on precision to thousandths of a millimeter. An exactness that is realized by using a diamond-cutting machine of the newest generation, a tool like those used in the aerospace and laser industries.



The beveled chamfers are milled at an angle of exactly 45° and join together with absolute precision. This creates a surface without any unevenness, which reflects light perfectly. Standards for testing gloss level in quality assurance, redefined especially for this collection, ensure that exactly these high requirements are met.



A diamond is used to mill the beveled chamfer at an angle of exactly 45° to a high gloss.



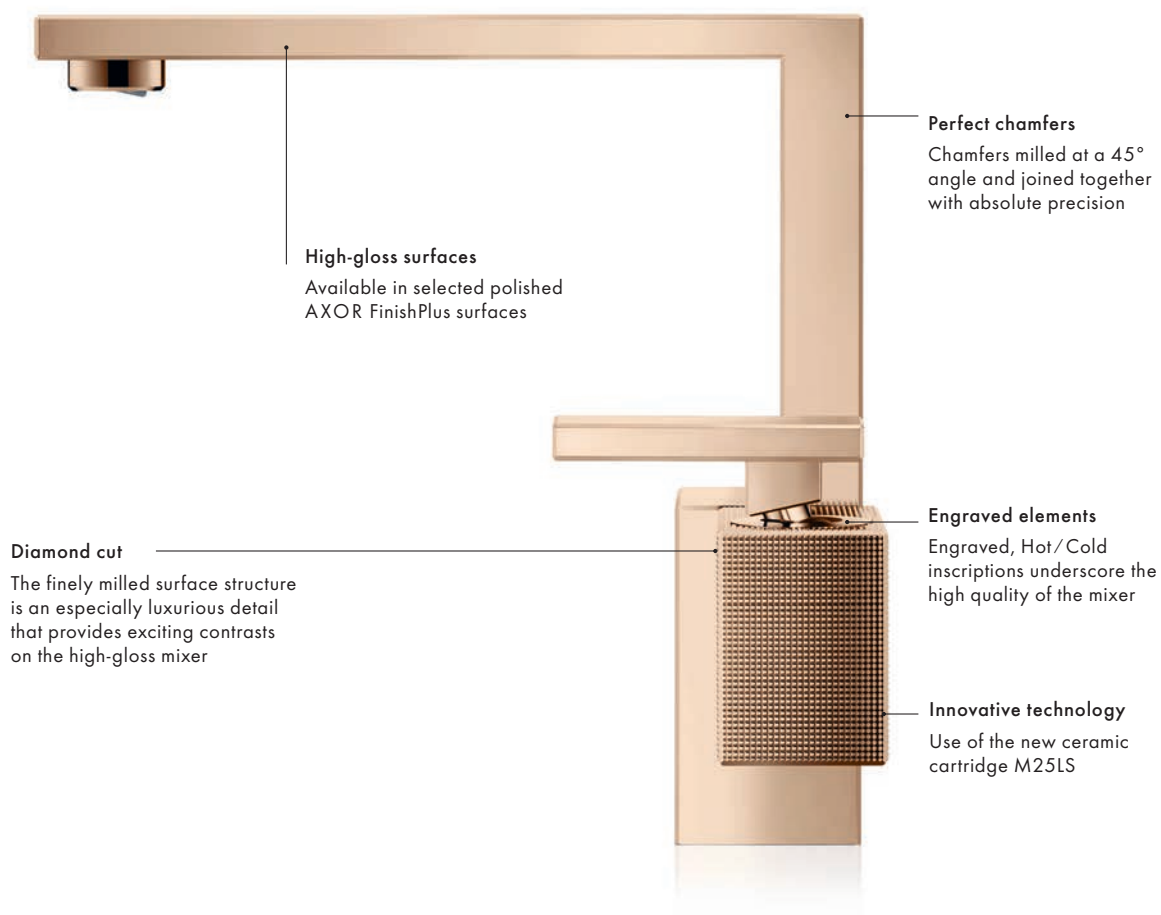
The fine pattern structures are created with the same precision: the diamond cut. By milling the solid block of brass line by line in several steps, precise pyramid frustums are formed, creating a luxurious detail that provides exciting contrasts.

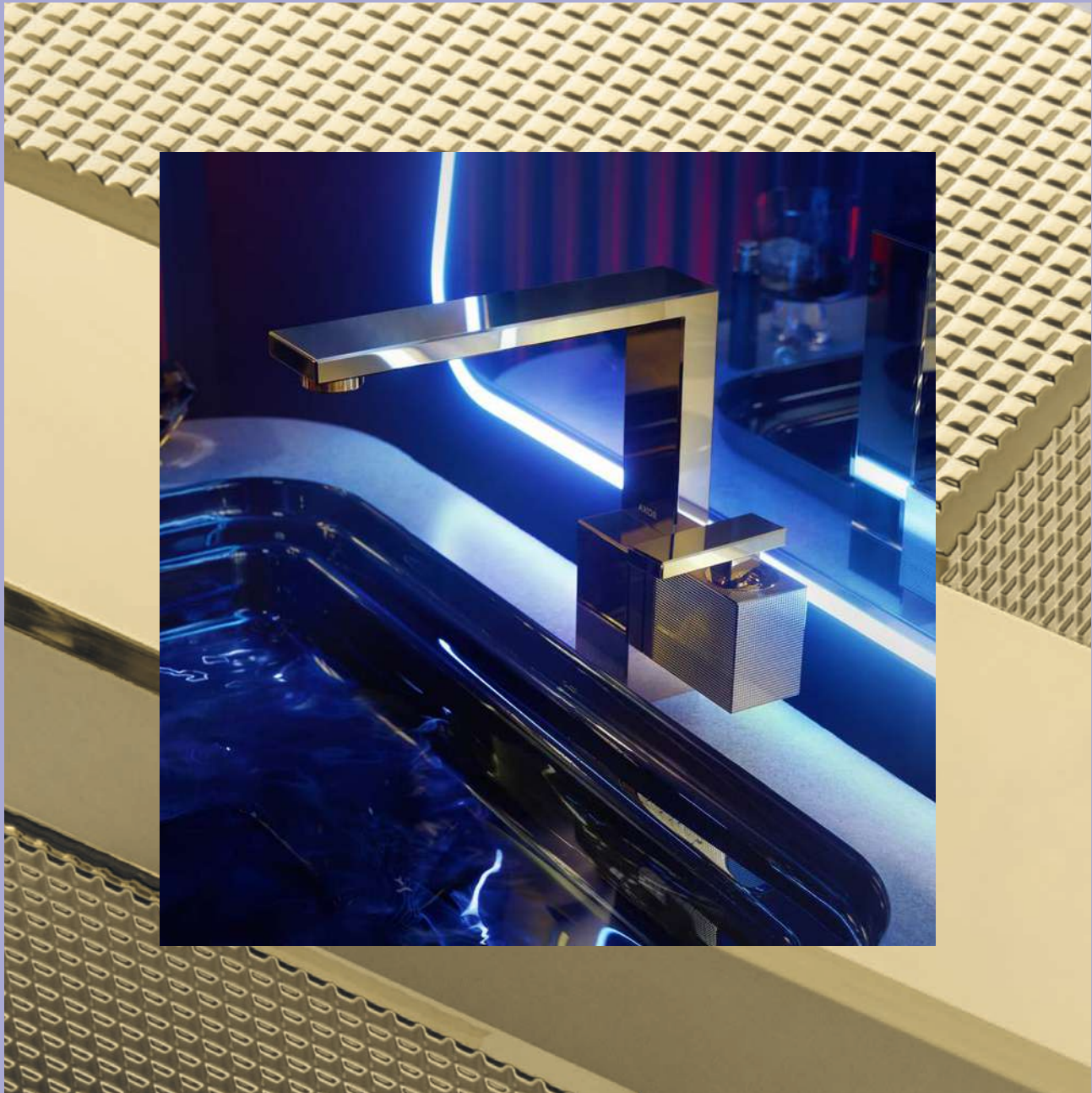


A line that will become a diamond cut in the finished appearance is milled up to five times.

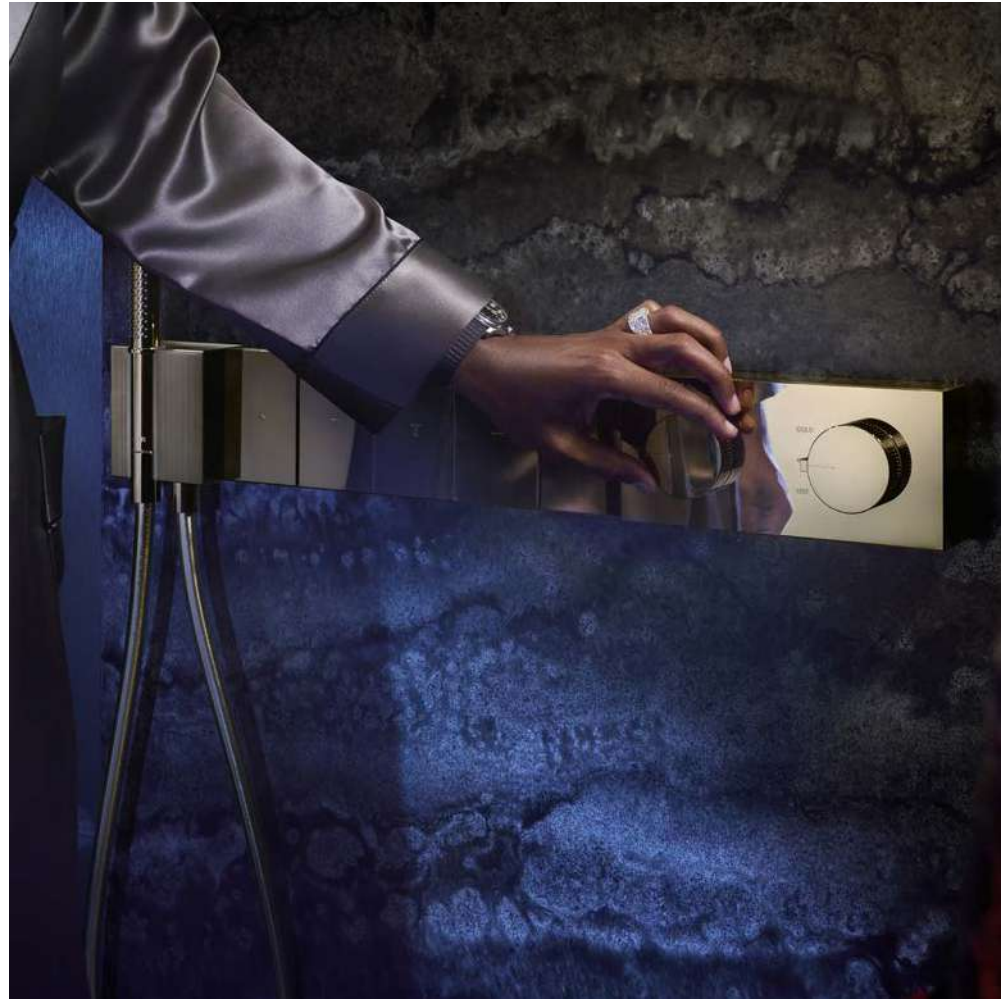
Bringing high-gloss and ultra-precision together in one mixer

AXOR Edge mixers break through boundaries: High-gloss surfaces are a striking feature of the collection. To achieve this brilliance, the highest precision is required in production so that light breaks perfectly on the surface of the mixer. That's why a diamond-cutting machine is used. It creates facets on the surfaces and chamfers of the mixer with precision to the micrometer, generating a fascinating play of light and shadow. Exactly these precise details—the meticulous 45° chamfer and the innovative, three-dimensional diamond cut—turn the mixer into a gem.









Easy to select outlets

Selecting the proper outlet is simple thanks to engraved, easy to read icons

Volume control

Control volume with the on/off function for water flow

Diamond cut

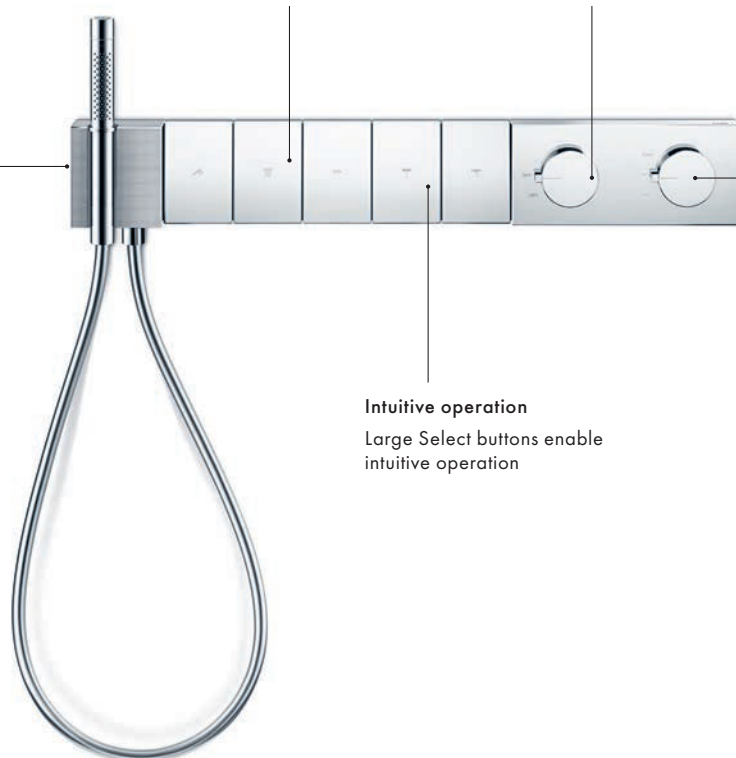
The three-dimensionality of the diamond cut, with its precise pyramid frustums, creates a new sensory experience

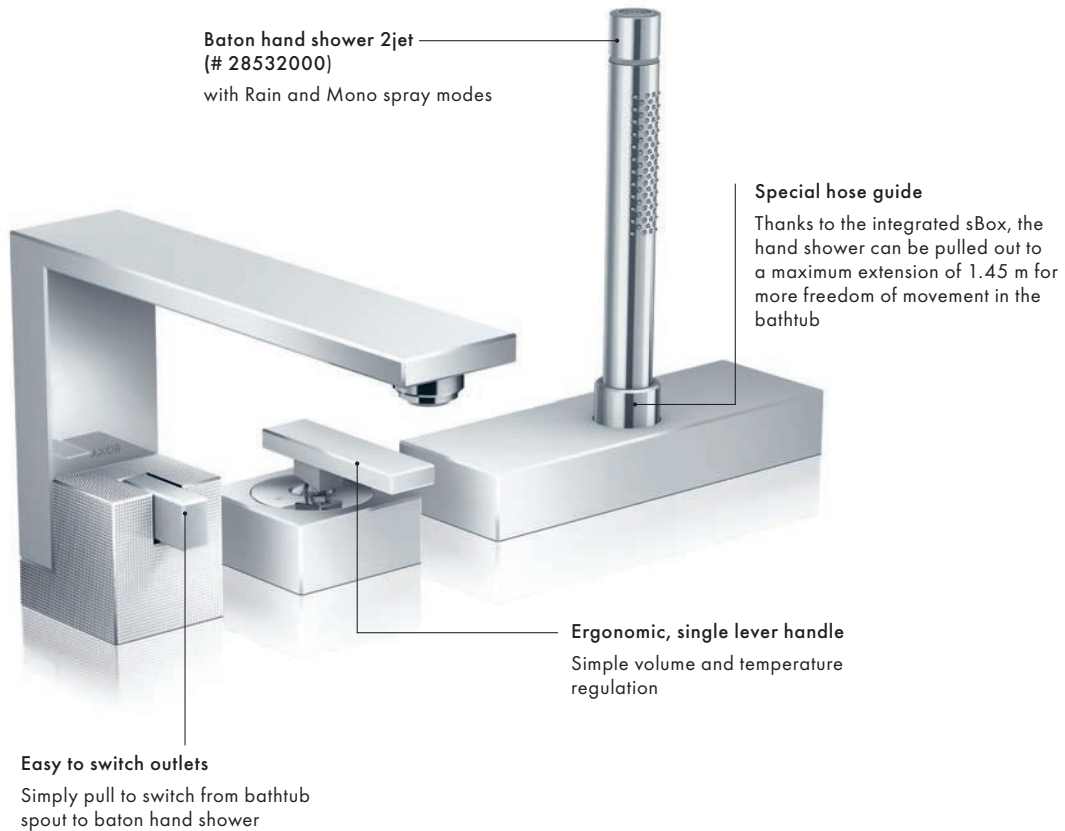
Temperature adjustment

Thermostatic mixer with clear temperature display

Intuitive operation

Large Select buttons enable intuitive operation





User-friendly, convenient hose coiling system

The sBox for bathtubs features an innovative hose coiling system included in the scope of delivery for the basic set of the AXOR Edge three-hole single lever rim-mounted mixer and the basic set of the AXOR Edge rim-mounted set. With the sBox, the hose coils up smoothly, quietly and safely. The hand shower's maximum extended length is 1.45 m.





Single lever basin mixers with diamond cut

Features of all variants

/ consists of: single lever basin mixer, waste set
 / handle variant: lever handle
 / spray type: normal spray
 / maximum flow rate at 3 bar: 5 l/min
 / ceramic cartridge

/ temperature limitation adjustable
 / suitable for continuous flow water heaters
 / push-open waste set: metal
 / material waste set: metal
 / connection type: G 3/8 hose connections

/ connection dimension: DN15
 / EU taxonomy: max. 6 l/min - Substantial Contribution (SC) possible

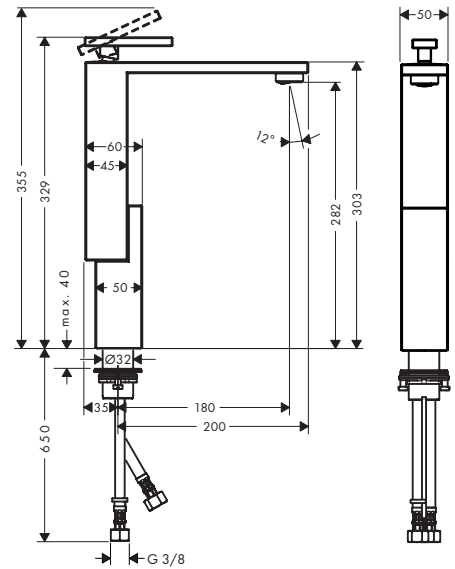
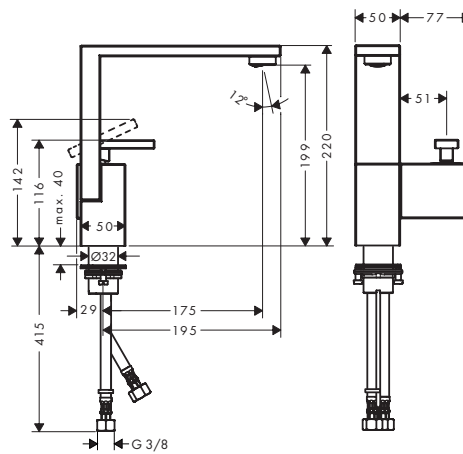
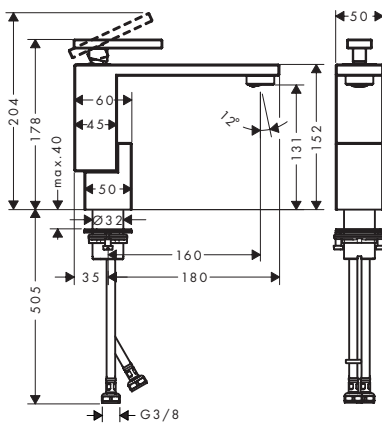
130



190



280



Sustainability



Technologies



Overview variants

ComfortZone	Projection (mm)	Spout height (mm)	For wash bowls	Finish	Code no.
130	160	131	-	● Chrome ● AXOR FinishPlus*	46011000 46011XXX
190	175	199	-	● Chrome ● AXOR FinishPlus*	46021000 46021XXX
280	180	282	■	● Chrome ● AXOR FinishPlus*	46031000 46031XXX

i This product is not available in brushed AXOR FinishPlus surfaces.

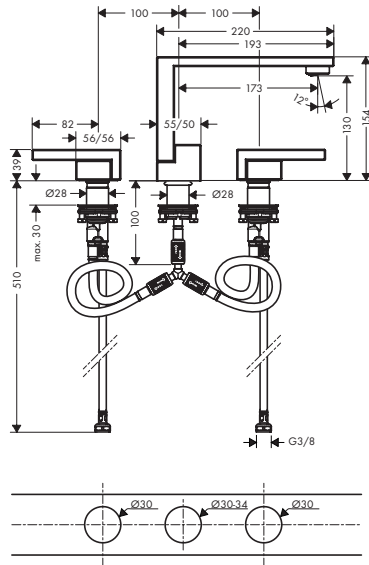
3-hole basin mixer 130 with push-open waste set - diamond cut

Features

/ consists of: 3-hole basin mixer, waste set
 / ComfortZone: 130
 / projection: 173 mm
 / spout height: 130 mm
 / handle variant: lever handle

/ spray type: normal spray
 / maximum flow rate at 3 bar: 5 l/min
 / ceramic valves hot/cold 90°
 / suitable for continuous flow water heaters
 / push-open waste set G 1 1/4

/ material waste set: metal
 / connection type: G 3/8 hose connections
 / connection dimension: DN15
 / EU taxonomy: max. 6 l/min - Substantial Contribution (SC) possible



Sustainability



Technologies



Finish	Code no.
Chrome	46051000
AXOR FinishPlus*	46051XXX

i This product is not available in brushed AXOR FinishPlus surfaces.

Optional parts:

	Code no.
Hose extension set for 3-hole basin mixer	38959000

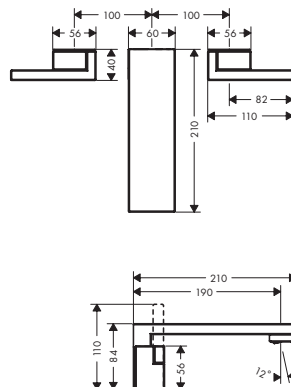
3-hole basin mixer for concealed installation wall-mounted with spout 190 mm and push-open waste set - diamond cut

Features

/ consists of: 3-hole basin mixer, waste set
 / projection: 190 mm
 / handle variant: lever handle
 / spray type: normal spray
 / maximum flow rate at 3 bar: 5 l/min

/ ceramic valves hot/cold 90°
 / suitable for continuous flow water heaters
 / push-open waste set G 1 1/4
 / material waste set: metal
 / connection type: basic set

/ connection dimension: DN15
 / EU taxonomy: max. 6 l/min - Substantial Contribution (SC) possible



Sustainability



Technologies



Finish	Code no.
Chrome	46061000
AXOR FinishPlus*	46061XXX

i This product is not available in brushed AXOR FinishPlus surfaces.

Required parts:

	Code no.
Basic set for 3-hole basin mixer for concealed installation wall-mounted	10303180

Optional parts:

	Code no.
Seal	96383000
AXOR Starck Extension set 25 mm for basic set for 3-hole basin mixer wall-mounted	96259000

* AXOR FinishPlus: For further AXOR FinishPlus surfaces please see the AXOR FinishPlus overview on page 33.

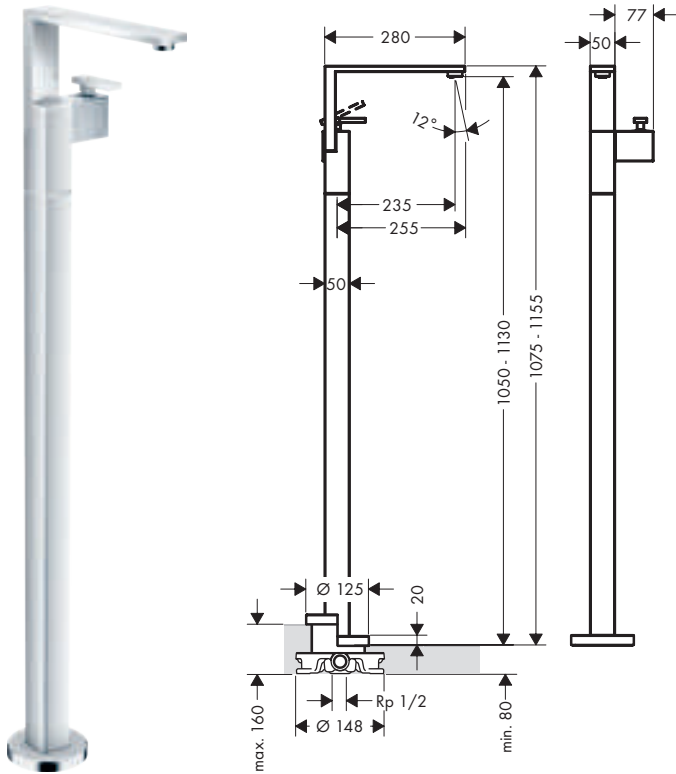
Single lever basin mixer floor-standing with push-open waste set - diamond cut

Features

/ consists of: single lever basin mixer, waste set
 / projection: 235 mm
 / handle variant: lever handle
 / spray type: normal spray
 / maximum flow rate at 3 bar: 5 l/min

/ ceramic cartridge
 / temperature limitation adjustable
 / suitable for continuous flow water heaters
 / push-open waste set G 1 1/4
 / material waste set: metal

/ connection type: basic set
 / connection dimension: DN 15
 / EU taxonomy: max. 6 l/min - Substantial Contribution (SC) possible



Sustainability



Technologies



Finish	Code no.
Chrome	46041000
AXOR FinishPlus*	46041XXX

i This product is not available in brushed AXOR FinishPlus surfaces.

! Required parts:



Basic set for mixers floor-standing Code no. 10452180

Optional parts:



Sealing foil for basic set bath mixer floor-standing Code no. 96441000

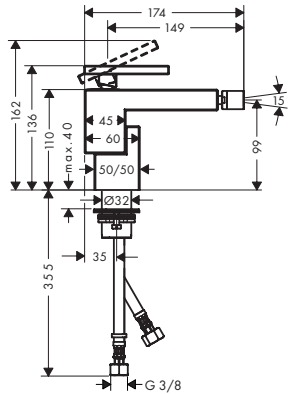
Single lever bidet mixer with push-open waste set - diamond cut

Features

- / consists of: single lever bidet mixer, waste set
- / projection: 149 mm
- / spout height: 99 mm
- / aerator with ball pivot
- / spray type: normal spray

- / maximum flow rate at 3 bar: 7 l/min
- / ceramic cartridge
- / temperature limitation adjustable
- / suitable for continuous flow water heaters
- / push-open waste set G 1 1/4

- / material waste set: metal
- / connection type: G 3/8 hose connections
- / connection dimension: DN15



Sustainability



Technologies



Finish	Code no.
Chrome	46211000
AXOR FinishPlus*	46211XXX

i This product is not available in brushed AXOR FinishPlus surfaces.

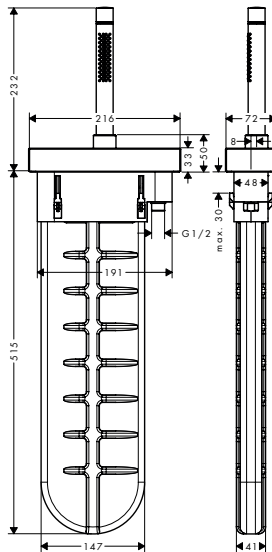
Rim mounted bath set

Features

- / consists of: baton hand shower, escutcheon, hose box, shower hose
- / suitable for installation on bath rim
- / spray type hand shower: Rain, MonoRain

- / sBox for quiet, smooth and protected hose guidance
- / connection thread: G 1/2
- / connection dimension: DN15

- / no additional maintenance opening required
- / maximum pull-out length of hand shower 1,45 m
- / removable for service at any time
- / maximum flow rate at 3 bar: 14,5 l/min



Spray types



Finish	Code no.
Chrome	46470000
AXOR FinishPlus*	46470XXX

i This product is not available in brushed AXOR FinishPlus surfaces.

Consisting of:	Included in	Code no.
AXOR Starck Baton hand shower 2jet	46470XXX	28532XXX

Required parts:	Code no.
sBox Rim and tile mounted bath basic set	15490180

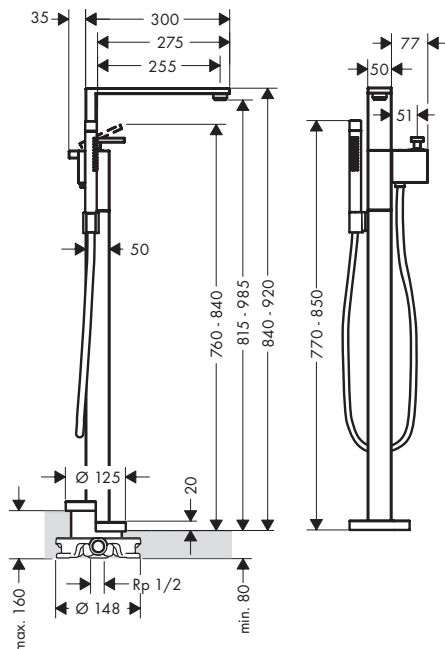
Optional parts:	Code no.
sBox Installation plate for tile mounted installation	28014000
sBox Mounting angle set for installation plate for tile mounted installation	28011000

*AXOR FinishPlus: For further AXOR FinishPlus surfaces please see the AXOR FinishPlus overview on page 33.

Single lever bath mixer floor-standing - diamond cut

Features

- / consists of: single lever bath mixer floor standing, baton hand shower, shower holder, shower hose
- / 2 functions
- / projection: 255 mm
- / spray type mixer: normal spray
- / spray type hand shower: Rain, MonoRain
- / maximum flow rate at 3 bar: 23 l/min
- / flow rate for bath spout at 3 bar: 23 l/min
- / flow rate of hand shower at 3 bar: 13 l/min
- / ceramic cartridge
- / temperature limitation adjustable
- / diverter with automatic resetting
- / non-return valve
- / suitable for continuous flow water heaters
- / connection dimension: DN15
- / connection type: basic set
- / deck mounted
- / min. operating pressure: 1 bar
- / max. operating pressure: 10 bar



Technologies



Spray types



Finish	Code no.
Chrome	46441000
AXOR FinishPlus*	46441XXX

i This product is not available in brushed AXOR FinishPlus surfaces.

Consisting of:	Included in	Code no.
AXOR Starck Metal effect shower hose 1.25 m with cylindrical nuts	46441XXX	28282XXX
AXOR Starck Baton hand shower 2jet	46441XXX	28532XXX

Required parts:	Code no.
Basic set for mixers floor-standing	10452180

Optional parts:	Code no.
Sealing foil for basic set bath mixer floor-standing	96441000
AXOR Starck Extension 60 mm for pipe	97686000

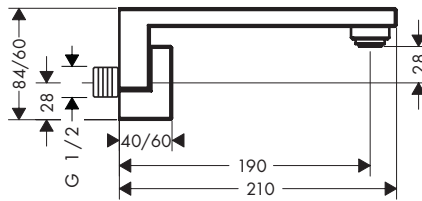
Bath spout diamond cut

Features

/ 1 function
/ projection: 190 mm

/ wall-mounted
/ maximum flow rate at 3 bar: 23 l/min

/ connection dimension: G 1/2
/ spray type: normal spray



Technologies



Finish	Code no.
Chrome	46411000
AXOR FinishPlus*	46411XXX

i This product is not available in brushed AXOR FinishPlus surfaces.

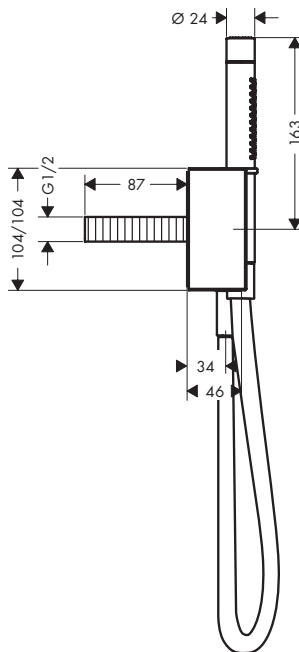
Porter unit with baton hand shower 2jet and shower hose - diamond cut

Features

/ consists of: baton hand shower, porter unit, shower holder, shower hose
/ shower head size: 68 x 24 mm
/ spray type: Rain, MonoRain

/ QuickClean: Limescale deposits can simply be rubbed off with your finger
/ maximum flow rate at 3 bar: 16,2 l/min
/ minimum flow pressure: 1 bar
/ operating pressure: min. 1 bar/max. 10 bar

/ shower hose with cylindrical nut on both ends
/ shower hose length: 1250 mm
/ with non-return valve
/ integrated support function
/ wall mounting: screw fastening



Technologies



Spray types



Finish	Code no.
Chrome	46521000
AXOR FinishPlus*	46521XXX

i This product is not available in brushed AXOR FinishPlus surfaces.

Consisting of:



AXOR Starck Metal effect shower hose 1.25 m with cylindrical nuts

Included in Code no.
46521XXX 28282XXX

Thermostatic modules Select for concealed installation

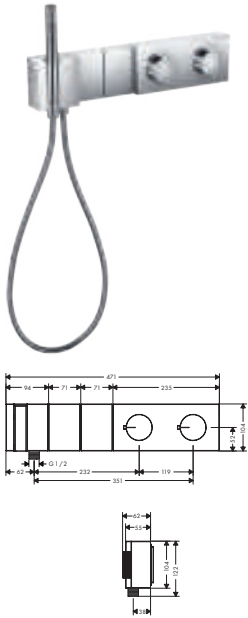
Features of all variants

/ consists of: thermostatic module, shower holder, baton hand shower, shower hose
 / simultaneous use of several outlets
 / depending on volume flow and installation situation approx. 50% flow rate reduction and integrated shut off function

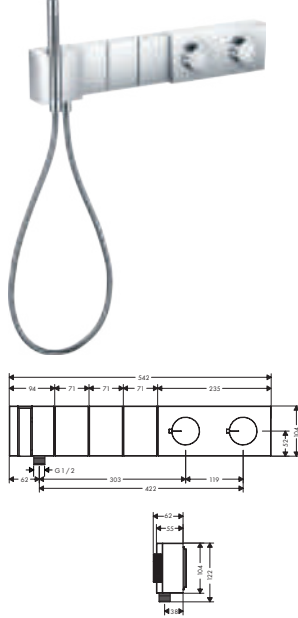
/ thermostat cartridge, Start/stop valve to operate the functions
 / flow rate of hand shower at 3 bar: 13 l/min
 / min. operating pressure: 1 bar
 / max. operating pressure: 10 bar
 / Safety stop at 40 °C

/ temperature limitation adjustable
 / for shower hoses with a cylindrical nut
 / connection type: basic set

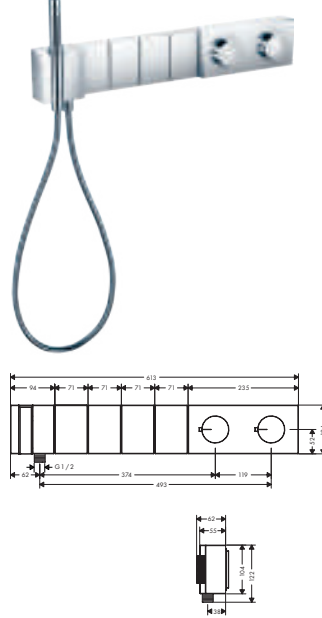
2 functions



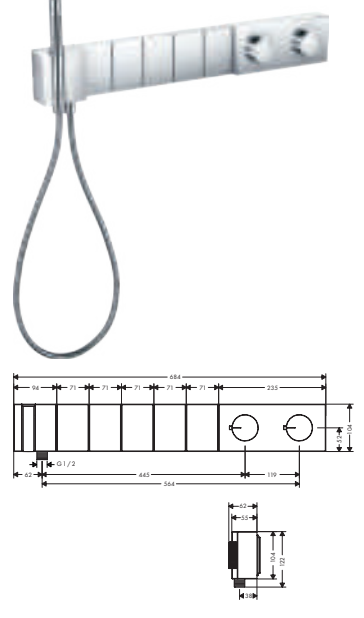
3 functions



4 functions



5 functions



Sustainability



Technologies



Overview variants

Number of functions	Max. flow rate at 3 bar (l/min)	Structure element	Finish	Code no.
2 functions	35	diamond cut	Chrome	46701000
			AXOR FinishPlus*	46701XXX
3 functions	38	diamond cut	Chrome	46711000
			AXOR FinishPlus*	46711XXX
4 functions	39	diamond cut	Chrome	46721000
			AXOR FinishPlus*	46721XXX
5 functions	38	diamond cut	Chrome	46731000
			AXOR FinishPlus*	46731XXX

i This product is not available in brushed AXOR FinishPlus surfaces.

Consisting of:



AXOR Starck Metal effect shower hose 1.25 m with cylindrical nuts

Included in	Code no.
46701XXX	28282XXX
46711XXX	
46721XXX	
46731XXX	

A Required parts:

	For	Code no.
Basic set for thermostatic module Select for 2 functions	46701XXX	18310180
Basic set for thermostatic module Select for 3 functions	46711XXX	18311180
Basic set for thermostatic module Select for 4 functions	46721XXX	18312180
Basic set for thermostatic module Select for 5 functions	46731XXX	18313180

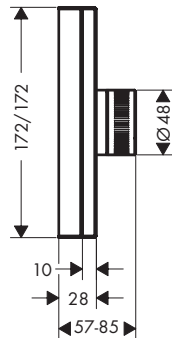
Thermostat HighFlow for concealed installation - diamond cut

Features

/ 1 function
/ thermostat cartridge
/ flow rate upper outlet: 42 l/min
/ flow rate lower outlet: 42 l/min

/ maximum flow rate at 3 bar: 59 l/min
/ min. operating pressure: 1 bar
/ max. operating pressure: 10 bar
/ Safety stop at 40 °C

/ temperature limitation adjustable
/ non-return valve
/ with silencer



Technologies



Finish	Code no.
Chrome	46741000
AXOR FinishPlus*	46741XXX

i This product is not available in brushed AXOR FinishPlus surfaces.

Required parts (choose one):

Option	Image	Description	Code no.
Option 1		AXOR iBox universal 2 Basic set	01400180
	+	Adapter plate for iBox universal 2	13588000
Option 2		AXOR iBox universal Basic set	01700180

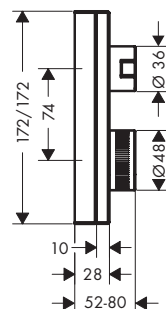
Thermostat for concealed installation with shut-off valve - diamond cut

Features

/ 1 function
/ thermostat cartridge, ceramic valves 90°
/ maximum flow rate at 3 bar: 26 l/min
/ min. operating pressure: 1 bar

/ max. operating pressure: 10 bar
/ Safety stop at 40 °C
/ temperature limitation adjustable
/ non-return valve

/ with silencer
/ connection type: basic set



Sustainability



Technologies



Finish	Code no.
Chrome	46751000
AXOR FinishPlus*	46751XXX

i This product is not available in brushed AXOR FinishPlus surfaces.

Required parts (choose one):

Option	Image	Description	Code no.
Option 1		AXOR iBox universal 2 Basic set	01400180
	+	Adapter plate for iBox universal 2	13588000

For more information about this product, please see the next page.

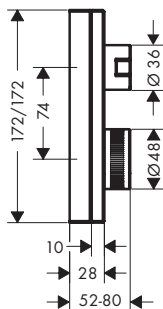
Thermostat for concealed installation with shut-off valve - diamond cut

⚠ Required parts (choose one):			Code no.
Option 2		AXOR iBox universal Basic set	01700180

Thermostat for concealed installation with shut-off/ diverter valve - diamond cut

Features

/ 2 functions	/ maximum flow rate at 3 bar: 29 l/min	/ temperature limitation adjustable
/ thermostat cartridge	/ min. operating pressure: 1 bar	/ non-return valve
/ flow rate upper outlet: 25 l/min	/ max. operating pressure: 10 bar	/ with silencer
/ flow rate lower outlet: 29 l/min	/ Safety stop at 40 °C	/ connection type: basic set



Sustainability






Technologies



Finish	Code no.
Chrome	46761000
AXOR FinishPlus*	46761XXX

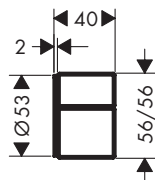
i This product is not available in brushed AXOR FinishPlus surfaces.

⚠ Required parts (choose one):			Code no.	
Option 1		AXOR iBox universal 2 Basic set	01400180	
	+		Adapter plate for iBox universal 2	13588000
Option 2		AXOR iBox universal Basic set	01700180	

Shut-off valve for concealed installation - diamond cut




Features

/ connection type: DN15/DN20	/ 1 function	/ noise class: II
------------------------------	--------------	-------------------



Finish	Code no.
Chrome	46771000
AXOR FinishPlus*	46771XXX

i This product is not available in brushed AXOR FinishPlus surfaces.

⚠ Required parts:			Code no.
	Basic set 52 l/min for shut-off valve for concealed installation spindle		16973180
	Basic set 40 l/min for shut-off valve for concealed installation ceramic		16974180
	Basic set 130 l/min for shut-off valve for concealed installation spindle		16970180

Shut-off valve for concealed installation - diamond cut

Optional parts:

Code no.



Extension set 25 mm for shut-off/ diverter valve Trio-/ Quattro

92990000

Possible product combinations

Showers



AXOR ShowerComposition

Shower module 250/250 2jet with shoulder shower

#12594XXX

page 445



AXOR ShowerComposition

Shower panel with thermostat, overhead shower 110/220 1jet and shoulder shower

#12595XXX

page 445



AXOR ShowerSolutions

ShowerHeaven 1200/300 4jet without lighting

#10637XXX

page 459

Further complementary products



AXOR Universal Rectangular

Bath towel rail 600 mm

#42661XXX

page 606



AXOR Suite Basins & Bathtub

Wash bowl 400/400 without tap hole and overflow

#42003XXX

page 657



AXOR Drain

Finish set shower drain 700

#42520XXX

page 688





Basin

Bidet

Bath

Plates

AXOR
MyEdition

AXOR MYEDITION

DESIGN
—
PHOENIX





"AXOR MyEdition offers perfectly coordinated multisensory experiences."

ANDREAS DIEFENBACH, PHOENIX

AXOR MyEdition

A personal statement

With its monolithic, linear design, AXOR MyEdition provides you with a stage for self-expression. A wide selection of cover plates made of exclusive materials leaves room for your own creativity. The collection responds to a human desire to have something unique, to stand out from the crowd and to move in new directions.

Design: PHOENIX

Characteristic design feature:

Monolith: The distinctive rectangle, due to its weight and size, is monolithic.

The designer's idea:

A stage for your own creativity: Numerous options for individualization offer customers a platform for self-realization.

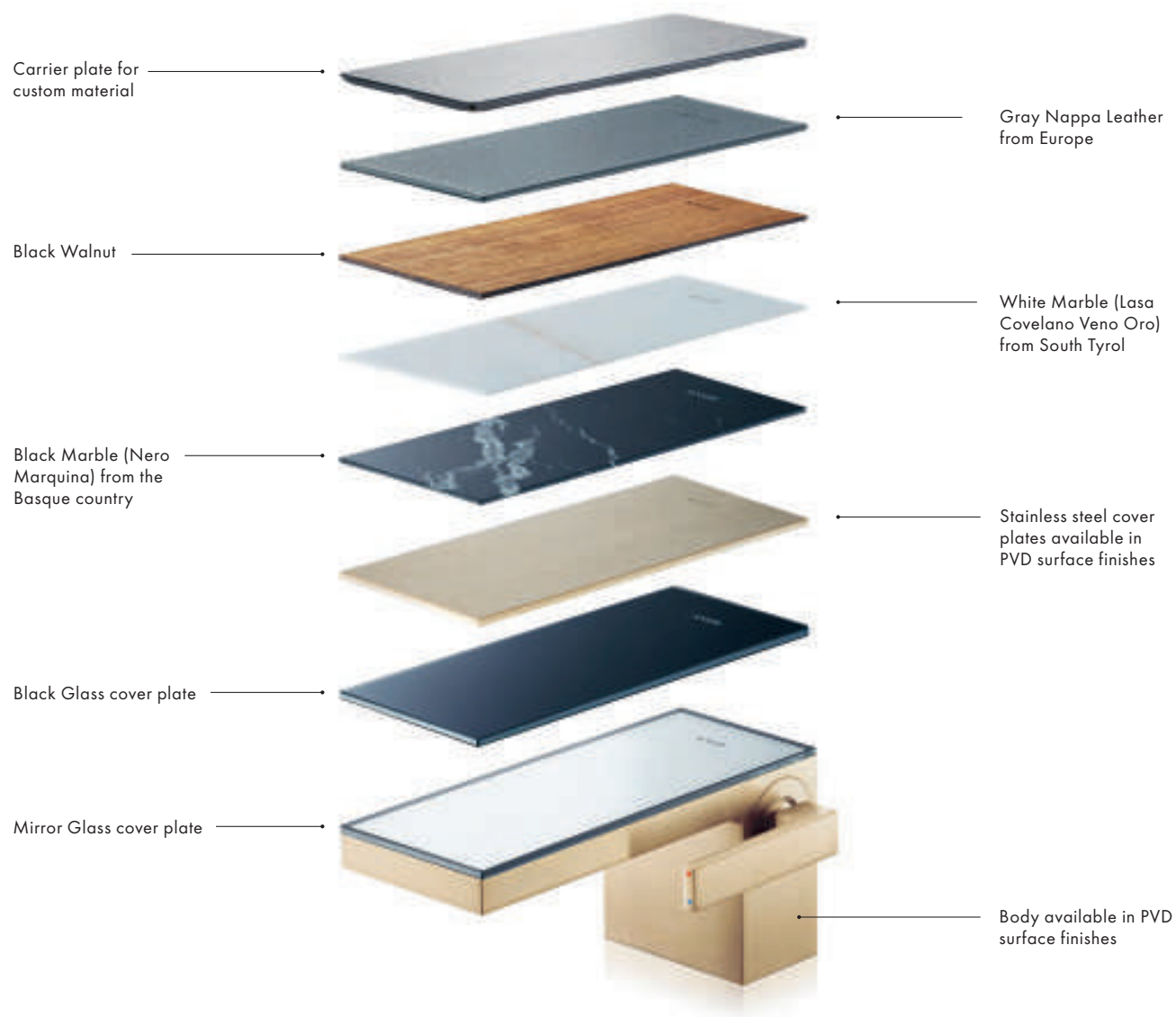
Special collection highlights:

- / With the neutral carrier plate, AXOR MyEdition lets you create a customized design using the custom material plate
- / A new dimension of individualization with carefully selected natural materials and exclusive surface finishes
- / A new look and feel with the use of natural materials such as glass, metal, wood, marble and leather, each with its own unique surface structure
- / A sensual contrast to linear design: Innovative water design with the velvety soft PowderRain spray mode, available for the first time on a wash basin mixer
- / Isolated water conduction: Prevents direct water contact with the body of the mixer
- / Integration or contrast: The perfect complement to the interior design or a statement in the bathroom



An avant-garde concept and an ingenious connection

A metal body with a chrome finish or one of the AXOR FinishPlus PVD surface. Crowned with a fascinating cover plate: With its exclusive material portfolio, AXOR Signature opens up groundbreaking potential. Metal, mirror glass, black glass and refined natural materials such as wood, marble and leather offer more appeal and new sensory experiences. AXOR MyEdition is the first.



The following variants are available as standard for all nine AXOR MyEdition products with their own item numbers:

- / PVD surface finishes (body) / Mirror Glass cover plate (-000)
- / Brushed Bronze / Black Glass (-600)

In addition to the standard variants, the products can be configured individually and ordered with separate item numbers for body and cover plate.



Natural materials for the bathroom— each cover plate is one of a kind

The refined materials reveal themselves in unique ways in AXOR MyEdition cover plates. Each design version is developed in an intensive process, made with precision craftsmanship and tested under the harshest conditions for mixer use in internal fatigue testing. The result is a perfect whole.

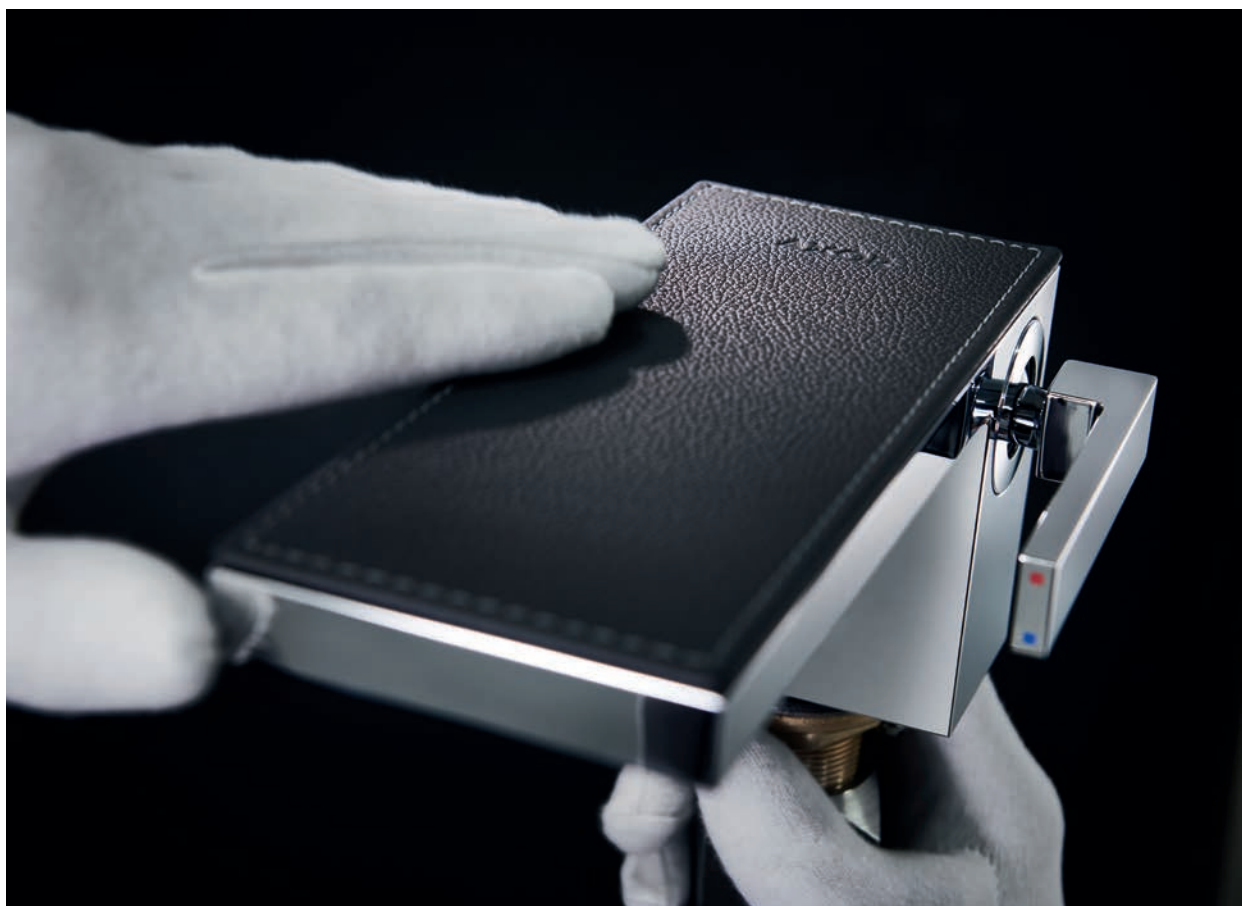
The elegant walnut veneer provides a fascinating example. Delicate sheets of wood are used to produce sturdy components with an attractive surface pattern, strikingly brown in color with a striped grain.

The white Lasa marble from South Tyrol is characterized by its fine, gold veins. The cover plates are shaved from the marble block in extremely thin layers, which are meticulously processed to produce stone veneer with a perfect surface feel. Its dark counterpart, Nero

Marquina, comes from quarries in the Basque Country of northern Spain. Deep black, with a distinctive white veining, it evokes the ultimate in elegance. Just as meticulous is the selection of nappa leather of European origin. Due to precision processing, it is especially resilient, so it is also suitable for use in wet areas.

Each cover plate is one of a kind. This makes each AXOR MyEdition mixer into an unmistakable original. For the ultimate in individualization for wash basins and bathtubs.

To ensure the durability of the cover plates, individual cleaning recommendations are enclosed for each material.





Consistent design language— for mixer and spray

New spray formers:

The shape of the water spray is derived from the product design. In this case, a rectangular spray former was developed which, in a fixed position, is equipped with PowderRain spray mode as well as QuickClean function for easily removing calcium deposits.

PowderRain spray mode:

AXOR MyEdition is the first collection with the PowderRain spray mode. Satiny smooth droplets emerge from 170 of the finest spray nozzles for a sensual, soft and luxuriant spray experience.

Isolated water conduction:

A separated water conduction is integrated into the metal basic set which separates the conduit from the body so it remains free of lead and nickel concentrations.



Independent elements

The fine line separating body and cover plate has the appearance of a shadow gap. This separation between the independent elements is what makes individualization possible

Monolith

Clear, angular design language; solid form

Water design

Multisensory experiences: The velvety soft PowderRain spray mode is the sensory counterpart to the linear design of the mixer. It provides a unique hand-washing experience

Materials

The cover plate, a variable element on the mixer, can be individualized as desired, e.g. with innovative materials such as leather, marble or wood

Ergonomics

The M25LS cartridge enables side handle placement for ergonomic use

Individualization

The body is the constant element of the mixer and, together with the freedom of choice in selecting monochromatic or combined AXOR FinishPlus PVD surfaces, it forms the basis for maximum individualization



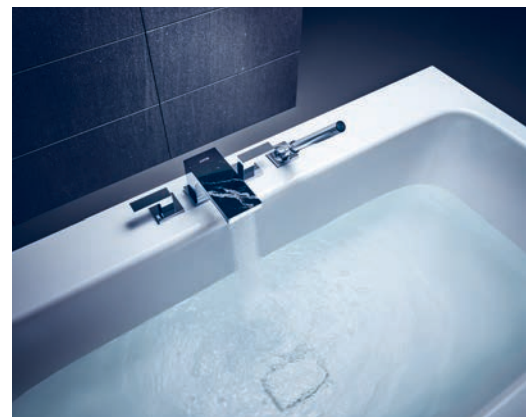
Available as standard for AXOR MyEdition are the variants Chrome/Mirror Glass (-000) and Chrome/Black Glass (-600). Glass is particularly hygienic, sturdy and resistant to harsh cleaning agents.



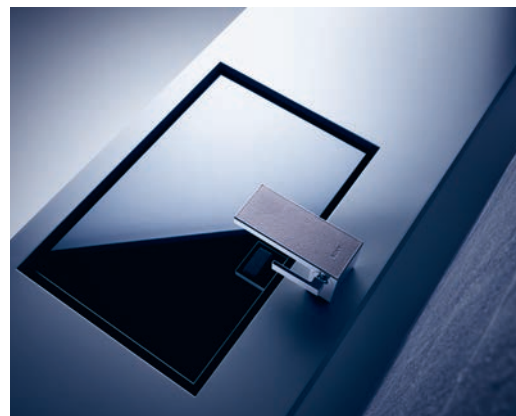
The cover plate in natural Black Walnut has very fine dark brown coloring in various shades. In combination with the AXOR FinishPlus surface Matt Black, it's a real eye-catcher.



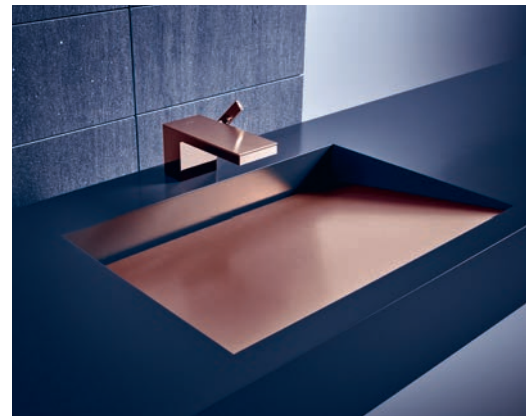
The brilliantly white Lasa Covelano Vena Oro Marble is fascinating with its fine, golden veining. It is sourced from a quarry in the Jenn Cliff Massif, the highest quarry in Europe, at an elevation of more than 2,220 meters.



The black Nero Marquina Marble is an exquisite, black limestone with distinctive, white quartz veining. Because it can be polished, it is called marble. The white quartz veins were formed in the later stages of the rock's development.



European Nappa Leather brings a sense of coziness to the bathroom. The gray leather has a fine, natural structure and a soft, smooth feel.



AXOR FinishPlus surfaces bring color into the bathroom. In addition to color-in-color combinations with polished or hand-brushed variants, bi-color variants can also be realized simply by exchanging the body and top.

Individualization for the bathtub



The individualization concept of AXOR MyEdition can also be applied to bathtubs.

The black Nero Marquina Marble cover plate with its striking white veining is a distinctive highlight on the four-hole rim-mounted mixer.

Especially impressive as well is the white Lasa Covelano Vena Oro Marble cover plate in combination with the floor-standing bathtub mixer.

AXOR offers a modular cover plate to realize different AXOR MyEdition faucet, each adorned with its customer's own, personally chosen material. In this way, a personal statement becomes a meaningful narrative, symbolizing a certain element, a special mood, a remembered landscape, a lasting image. The ideas materialized in the mixer's cover plate and surface finish reflect the texture of one's own identity.





COLLECTION OVERVIEW AND COMBINATION OPTIONS

PRODUCT COVER PLATES



PRODUCT BODY		PRODUCT COVER PLATES											
		Mirror Glass			Black Glass			Chrome			Matt Black		
		Plate 200	Plate 245	Plate 117	Plate 200	Plate 245	Plate 117	Plate 200	Plate 245	Plate 117	Plate 200	Plate 245	Plate 117
	Single lever basin mixer 70	Standard products Chrome, Matt Black	47010000			47010600 47010670							
	Single lever basin mixer 70 without plate	Chrome	47012000 47900000			47012000 47900600			47012000 47903000			47012000 47903000	
		15 PVD surface finishes, Matt Black	47012XXX 47900000			47012XXX 47900600			47012XXX 47903000			47012XXX 47903000	
	Single lever basin mixer 110	Standard products Chrome, Matt Black	47030000			47030600 47030670							
	Single lever basin mixer 110 without plate	Chrome	47032000 47900000			47032000 47900600			47032000 47903000			47032000 47903000	
		15 PVD surface finishes, Matt Black	47032XXX 47900000			47032XXX 47900600			47032XXX 47903000			47032XXX 47903000	
	Single lever basin mixer 230	Standard products Chrome, Matt Black		47020000			47020600 47020670						
	Single lever basin mixer 230 without plate	Chrome		47022000 47901000			47022000 47901600			47022000 47904000			47022000 47904670
		15 PVD surface finishes, Matt Black		47022XXX 47901000			47022XXX 47901600			47022XXX 47904000			47022XXX 47904670
	3-hole basin mixer 70	Standard products Chrome, Matt Black	47050000			47050600 47050670							
	3-hole basin mixer 70 without plate	Chrome	47052000 47900000			47052000 47900600			47052000 47903000			47052000 47904670	
		15 PVD surface finishes, Matt Black	47052XXX 47900000			47052XXX 47900600			47052XXX 47903000			47052XXX 47904670	
	3-hole basin mixer 110	Standard products Chrome, Matt Black	47070000			47070600 47070670							
	3-hole basin mixer 110 without plate	Chrome	47072000 47900000			47072000 47900600			47072000 47903000			47072000 47904670	
		15 PVD surface finishes, Matt Black	47072XXX 47900000			47072XXX 47900600			47072XXX 47903000			47072XXX 47904670	
	Single lever basin mixer for concealed installation	Standard products Chrome, Matt Black		47060600 47060670			47070600 47070670						
	Single lever basin mixer for concealed installation without plate	Chrome		47062000 47901000			47062000 47901600			47062000 47904000			47062000 47904670
		15 PVD surface finishes, Matt Black		47062XXX 47901000			47062XXX 47901600			47062XXX 47904000			47062XXX 47904670
	3-hole basin mixer for concealed installation	Standard products Chrome, Matt Black		47080000			47080600 47080670						
	3-hole basin mixer for concealed installation without plate	Chrome		47082000 47901000			47082000 47901600			47082000 47904000			47082000 47904670
		15 PVD surface finishes, Matt Black		47082XXX 47901000			47082XXX 47901600			47082XXX 47904000			47082XXX 47904670
	Single lever basin mixer floor-standing	Standard products Chrome, Matt Black	47040000			47040600 47040670							
	Single lever basin mixer floor-standing without plate	Chrome	47042000 47901000			47042000 47901600			47042000 47904000			47042000 47904670	
		15 PVD surface finishes, Matt Black	47042XXX 47901000			47042XXX 47901600			47042XXX 47904000			47042XXX 47904670	
	Single lever bidet mixer	Standard products Chrome, Matt Black			47210000			47210600 47210670					
	Single lever bidet mixer without plate	Chrome		47212000 47902000				47212000 47902600			47212000 47905000		47212000 47905670
		15 PVD surface finishes, Matt Black		47212XXX 47902000				47212XXX 47902600			47212XXX 47905000		47212XXX 47905670
	4-hole rim mounted bath mixer	Standard products Chrome, Matt Black	47430600 47430670			47070600 47070670							
	4-hole rim mounted bath mixer without plate	Chrome	47432000 47900000			47432000 47900600			47432000 47903000			47432000 47903670	
		15 PVD surface finishes, Matt Black	47432XXX 47900000			47432XXX 47900600			47432XXX 47903000			47432XXX 47903670	
	Single lever bath mixer floor-standing	Standard products Chrome, Matt Black	47440000			47440600 47440670							
	Single lever bath mixer floor-standing without plate	Chrome	47442000 47901000			47442000 47901600			47442000 47904000			47442000 47904670	
		15 PVD surface finishes, Matt Black	47442XXX 47901000			47442XXX 47901600			47442XXX 47904000			47442XXX 47904670	
	Bath spout	Standard products Chrome, Matt Black	47410000			47410600 47410670							
	Bath spout without plate	Chrome	47412000 47900000			47412000 47900600			47412000 47903000			47412000 47903670	
		15 PVD surface finishes, Matt Black	47412XXX 47900000			47412XXX 47900600			47412XXX 47903000			47412XXX 47903670	



15 PVD surface finishes			Wood: Black Walnut			White Marble: Lasa Covelana Vena Oro			Black Marble: Nero Marquina			Leather: Gray Nappa Leather			Carrier plate for custom material		
Plate 200	Plate 245	Plate 117	Plate 200	Plate 245	Plate 117	Plate 200	Plate 245	Plate 117	Plate 200	Plate 245	Plate 117	Plate 200	Plate 245	Plate 117	Plate 200	Plate 245	Plate 117
47012000 47903XXX			47012000 47906000			47012000 47909000			47012000 47913000			47012000 47916000			47012000 47921000*		
47012XXX 47903XXX			47012XXX 47906000			47012XXX 47909000			47012XXX 47913000			47012XXX 47916000			47012XXX 47921000*		
47032000 47903XXX			47032000 47906000			47032000 47909000			47032000 47913000			47032000 47916000			47032000 47921000*		
47032XXX 47903XXX			47032XXX 47906000			47032XXX 47909000			47032XXX 47913000			47032XXX 47916000			47032XXX 47921000*		
	47022000 47904XXX			47022000 47907000			47022000 47910000			47022000 47914000			47022000 47917000			47022000 47922000*	
	47022XXX 47904XXX			47022XXX 47907000			47022XXX 47910000			47022XXX 47914000			47022XXX 47917000			47022XXX 47922000*	
47052000 47903XXX			47052000 47906000			47052000 47909000			47052000 47913000			47052000 47916000			47052000 47921000*		
47052XXX 47903XXX			47052XXX 47906000			47052XXX 47909000			47052XXX 47913000			47052XXX 47916000			47052XXX 47921000*		
47072000 47903XXX			47072000 47906000			47072000 47909000			47072000 47913000			47072000 47916000			47072000 47921000*		
47072XXX 47903XXX			47072XXX 47906000			47072XXX 47909000			47072XXX 47913000			47072XXX 47916000			47072XXX 47921000*		
	47062000 47904XXX			47062000 47907000			47062000 47910000			47062000 47914000			47062000 47917000			47062000 47922000*	
	47062XXX 47904XXX			47062XXX 47907000			47062XXX 47910000			47062XXX 47914000			47062XXX 47917000			47062XXX 47922000*	
	47082000 47904XXX			47082000 47907000			47082000 47910000			47082000 47914000			47082000 47917000			47082000 47922000*	
	47082XXX 47904XXX			47082XXX 47907000			47082XXX 47910000			47082XXX 47914000			47082XXX 47917000			47082xxx 47922000	
	47042000 47904XXX			47042000 47907000			47042000 47910000			47042000 47914000			47042000 47917000			47042000 47922000*	
	47042XXX 47904XXX			47042XXX 47907000			47042XXX 47910000			47042XXX 47914000			47042XXX 47917000			47042XXX 47922000*	
		47212000 47905XXX			47212000 47908000			47212000 47911000			47212000 47915000			47212000 47918000			47212000 47923000*
		47212XXX 47905XXX			47212XXX 47908000			47212XXX 47911000			47212XXX 47915000			47212XXX 47918000			47212XXX 47923000*
47432000 47903XXX			47432000 47906000			47432000 47909000			47432000 47913000			47432000 47916000			47432000 47921000*		
47432XXX 47903XXX			47432XXX 47906000			47432XXX 47909000			47432XXX 47913000			47432XXX 47916000			47432XXX 47921000*		
	47442000 47904XXX			47442000 47907000			47442000 47910000			47442000 47914000			47442000 47917000			47442000 47922000*	
	47442XXX 47904XXX			47442XXX 47907000			47442XXX 47910000			47442XXX 47914000			47442XXX 47917000			47442XXX 47922000*	
47412000 47903XXX			47412000 47906000			47412000 47909000			47412000 47913000			47412000 47916000			47412000 47921000*		
47412XXX 47903XXX			47412XXX 47906000			47412XXX 47909000			47412XXX 47913000			47412XXX 47916000			47412XXX 47921000*		

AXOR
MyEdition

Single lever basin mixers

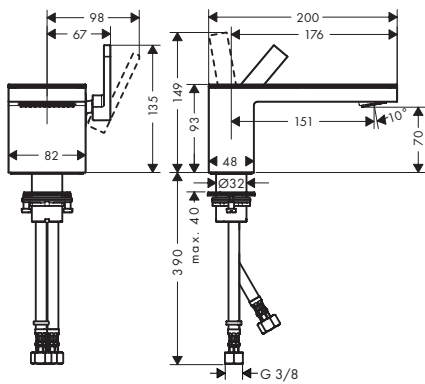
Features of all variants

/ handle variant: lever handle
 / spray type: PowderRain
 / maximum flow rate at 3 bar: 5 l/min
 / ceramic cartridge
 / temperature limitation adjustable

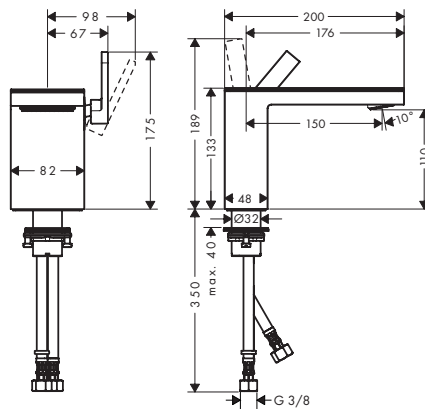
/ with isolated water conduction - without contact with nickel and lead
 / suitable for continuous flow water heaters
 / push-open waste set G 1 1/4
 / connection type: G 3/8 hose connections

/ connection dimension: DN15
 / EU taxonomy: max. 6 l/min - Substantial Contribution (SC) possible

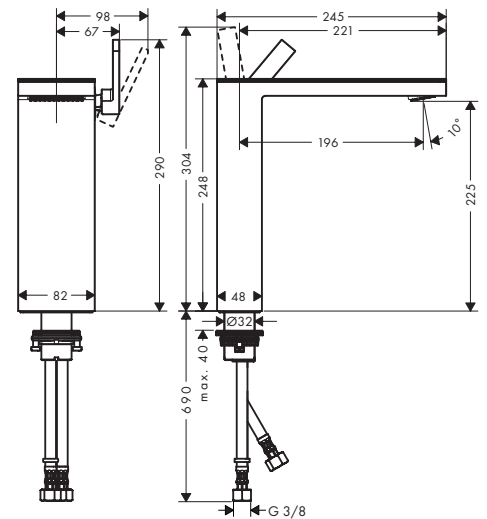
70 with plate



110 with plate



230 without plate



Sustainability



Technologies



Overview variants

ComfortZone	Projection (mm)	Spout height (mm)	For wash bowls	Cover	Finish	Code no.
70	151	70	-	with plate	Chrome/Mirror Glass 47010000 Chrome/Black Glass 47010600 Matt Black/Black Glass 47010670	
70	151	70	-	without plate	Chrome 47012000 Brushed Bronze 47012140 Brushed Black Chrome 47012340 Matt Black 47012670 AXOR FinishPlus* 47012XXX	
110	150	110	-	with plate	Chrome/Mirror Glass 47030000 Chrome/Black Glass 47030600 Matt Black/Black Glass 47030670	
110	150	110	-	without plate	Chrome 47032000 Brushed Bronze 47032140 Brushed Black Chrome 47032340 Matt Black 47032670 AXOR FinishPlus* 47032XXX	

Single lever basin mixers

Overview variants

ComfortZone	Projection (mm)	Spout height (mm)	For wash bowls	Cover	Finish	Code no.
230	196	225	■	with plate	Chrome/Mirror Glass 47020000 Chrome/Black Glass 47020600 Matt Black/Black Glass 47020670	
230	196	225	■	without plate	Chrome 47022000 Brushed Bronze 47022140 Brushed Black Chrome 47022340 Matt Black 47022670 AXOR FinishPlus* 47022XXX	

Consisting of:

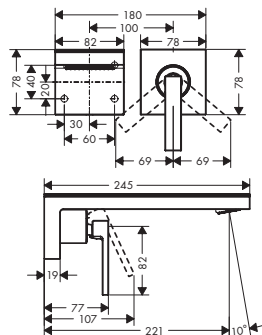
	Included in	Code no.
AXOR MyEdition Single lever basin mixer 70 with push-open waste set without plate	47010XXX	47012XXX
AXOR MyEdition Single lever basin mixer 110 with push-open waste set without plate	47030XXX	47032XXX
AXOR MyEdition Single lever basin mixer 230 for wash bowls with push-open waste set without plate	47020XXX	47022XXX
AXOR MyEdition Plate 200 Glass	47010XXX 47030XXX	47900XXX
AXOR MyEdition Plate 245 Glass	47020XXX	47901XXX

Single lever basin mixers for concealed installation wall-mounted

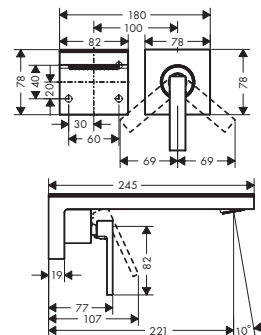
Features of all variants

- / projection: 221 mm
- / spout height: 82 mm
- / handle variant: lever handle
- / spray type: PowderRain
- / maximum flow rate at 3 bar: 5 l/min
- / ceramic cartridge
- / temperature limitation adjustable
- / with isolated water conduction - without contact with nickel and lead
- / suitable for continuous flow water heaters
- / non-closing waste set
- / connection type: basic set
- / connection dimension: DN15
- / handle can be positioned on the right or left, depending on the basic set installation
- / EU taxonomy: max. 6 l/min - Substantial Contribution (SC) possible

221 with plate



221 without plate



Sustainability



Overview variants

Projection (mm)	Cover	Finish	Code no.
221	with plate	Chrome/Mirror Glass 47060000 Chrome/Black Glass 47060600 Matt Black/Black Glass 47060670	

For more information about this product, please see the next page.

Single lever basin mixers for concealed installation wall-mounted

Overview variants

Projection (mm)	Cover	Finish	Code no.
221	without plate	Chrome Brushed Bronze Brushed Black Chrome Matt Black AXOR FinishPlus*	47062000 47062140 47062340 47062670 47062XXX

Consisting of:

	Included in	Code no.
AXOR MyEdition Single lever basin mixer for concealed installation wall-mounted with spout 221 mm without plate	47060XXX	47062XXX
AXOR MyEdition Plate 245 Glass	47060XXX	47901XXX

⚠ Required parts:

	Code no.
Basic set for single lever basin mixer for concealed installation wall-mounted	13623180

Optional parts:

	Code no.
Extension set 25 mm for single lever basin mixer wall-mounted	13586000

3-hole basin mixers

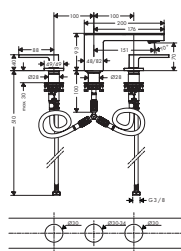
Features of all variants

/ handle variant: lever handle
 / spray type: PowderRain
 / maximum flow rate at 3 bar: 5 l/min
 / ceramic valves hot/cold 90°

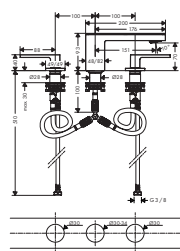
/ with isolated water conduction - without contact with nickel and lead
 / suitable for continuous flow water heaters
 / push-open waste set G 1 ¼

/ connection type: G ¾ hose connections
 / connection dimension: DN 15
 / EU taxonomy: max. 6 l/min - Substantial Contribution (SC) possible

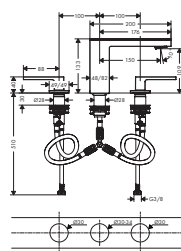
70 with plate



70 without plate



110 with plate



Sustainability



Technologies



Overview variants

ComfortZone	Projection (mm)	Spout height (mm)	Cover	Finish	Code no.
70	151	70	with plate	Chrome/Mirror Glass Chrome/Black Glass Matt Black/Black Glass	47050000 47050600 47050670

3-hole basin mixers

Overview variants

ComfortZone	Projection (mm)	Spout height (mm)	Cover	Finish	Code no.
70	151	70	without plate	Chrome	47052000
				Brushed Bronze	47052140
				Brushed Black Chrome	47052340
				Matt Black	47052670
				AXOR FinishPlus*	47052XXX
110	150	109	with plate	Chrome/Mirror Glass	47070000
				Chrome/Black Glass	47070600
				Matt Black/Black Glass	47070670
110	150	109	without plate	Chrome	47072000
				Brushed Bronze	47072140
				Brushed Black Chrome	47072340
				Matt Black	47072670
				AXOR FinishPlus*	47072XXX

Consisting of:

		Included in	Code no.
	AXOR MyEdition 3-hole basin mixer 70 with push-open waste set without plate	47050XXX	47052XXX
	AXOR MyEdition 3-hole basin mixer 110 with push-open waste set without plate	47070XXX	47072XXX
	AXOR MyEdition Plate 200 Glass	47050XXX 47070XXX	47900XXX

Optional parts:

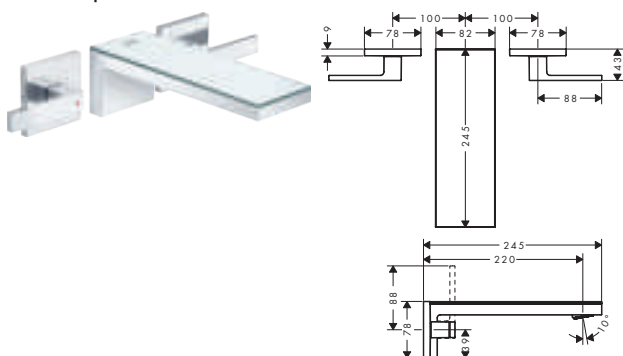
		Code no.
	Hose extension set for 3-hole basin mixer	38959000

3-hole basin mixers for concealed installation wall-mounted

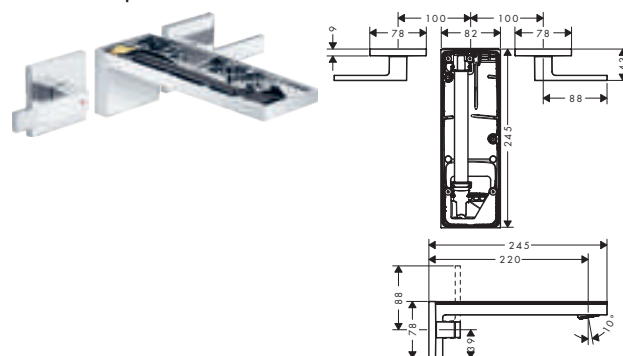
Features of all variants

- / projection: 221 mm
- / handle variant: lever handle
- / spray type: PowderRain
- / maximum flow rate at 3 bar: 5 l/min
- / ceramic valves hot/cold 90°
- / with isolated water conduction - without contact with nickel and lead
- / suitable for continuous flow water heaters
- / non-closing waste set
- / connection type: basic set
- / connection dimension: DN15
- / EU taxonomy: max. 6 l/min - Substantial Contribution (SC) possible

221 with plate



221 without plate



Sustainability



Overview variants

Projection (mm)	Cover	Finish	Code no.
221	with plate	Chrome/Mirror Glass	47080000
		Chrome/Black Glass	47080600
		Matt Black/Black Glass	47080670

For more information about this product, please see the next page.

*AXOR FinishPlus: For further AXOR FinishPlus surfaces please see the AXOR FinishPlus overview on page 33.

3-hole basin mixers for concealed installation wall-mounted

Overview variants

Projection (mm)	Cover	Finish	Code no.
221	without plate	Chrome Brushed Bronze Brushed Black Chrome Matt Black AXOR FinishPlus*	47082000 47082140 47082340 47082670 47082XXX

Consisting of:

	Included in	Code no.
AXOR MyEdition 3-hole basin mixer for concealed installation wall-mounted with spout 221 mm, lever handles, without plate	47080XXX	47082XXX
AXOR MyEdition Plate 245 Glass	47080XXX	47901XXX

Required parts:

	Code no.
Basic set for 3-hole basin mixer for concealed installation wall-mounted	10303180

Optional parts:

	Code no.
Seal	96383000
AXOR Starck Extension set 25 mm for basic set for 3-hole basin mixer wall-mounted	96259000

Single lever basin mixers floor-standing

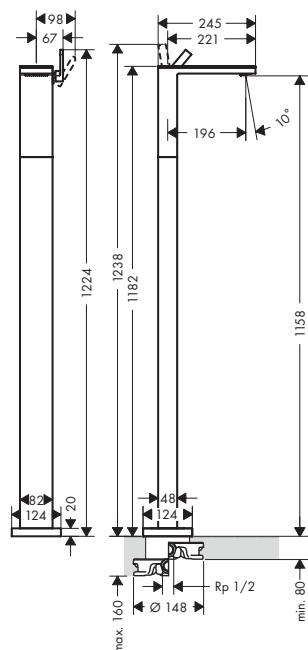
Features of all variants

- / projection: 196 mm
- / spout height: 1158 mm
- / handle variant: lever handle
- / spray type: PowderRain
- / maximum flow rate at 3 bar: 5 l/min

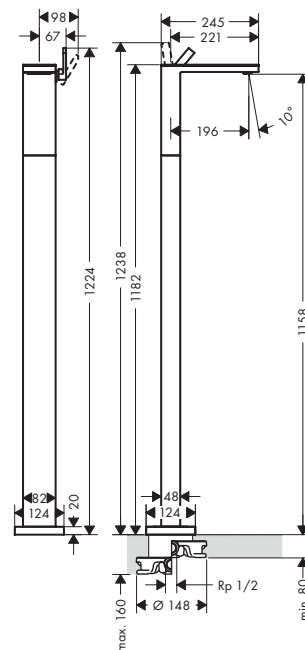
- / ceramic cartridge
- / temperature limitation adjustable
- / with isolated water conduction - without contact with nickel and lead
- / suitable for continuous flow water heaters

- / push-open waste set G 1 1/4
- / connection type: basic set
- / connection dimension: DN 15
- / EU taxonomy: max. 6 l/min - Substantial Contribution (SC) possible

with plate



without plate



Sustainability



Technologies



Single lever basin mixers floor-standing

Overview variants

Projection (mm)	Cover	Finish	Code no.
196	with plate	Chrome/Mirror Glass	47040000
		Chrome/Black Glass	47040600
		Matt Black/Black Glass	47040670
196	without plate	Chrome	47042000
		Brushed Bronze	47042140
		Brushed Black Chrome	47042340
		Matt Black	47042670
		AXOR FinishPlus*	47042XXX

Consisting of:

	Included in	Code no.
AXOR MyEdition Single lever basin mixer floor-standing with push-open waste set without plate	47040XXX	47042XXX
AXOR MyEdition Plate 245 Glass	47040XXX	47901XXX

Required parts:

	Code no.
Basic set for mixers floor-standing	10452180

Optional parts:

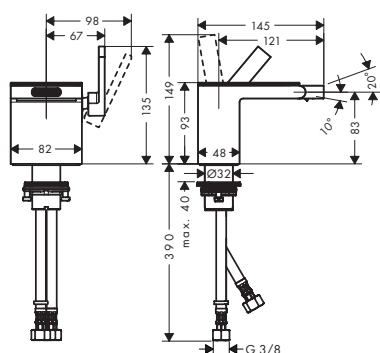
	Code no.
Sealing foil for basic set bath mixer floor-standing	96441000

Single lever bidet mixers

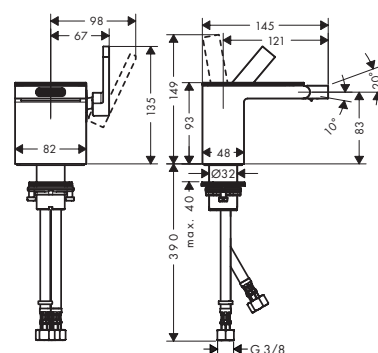
Features of all variants

- / projection: 121 mm
- / spout height: 83 mm
- / aerator with ball pivot
- / spray type: normal spray
- / maximum flow rate at 3 bar: 5 l/min
- / ceramic cartridge
- / temperature limitation adjustable
- / isolated water conduction - without contact with nickel and lead
- / suitable for continous flow water heaters
- / push-open waste set G 1¼
- / connection type: G ¾ hose connections
- / connection dimension: DN15
- / EU taxonomy: max. 6 l/min - Substantial Contribution (SC) possible

with plate



without plate



Sustainability



Overview variants

Projection (mm)	Spout height (mm)	Cover	Finish	Code no.
121	83	with plate	Chrome/Mirror Glass	47210000
			Chrome/Black Glass	47210600
			Matt Black/Black Glass	47210670

For more information about this product, please see the next page.

Single lever bidet mixers

Overview variants

Projection (mm)	Spout height (mm)	Cover	Finish	Code no.
121	83	without plate	Chrome Brushed Bronze Brushed Black Chrome Matt Black AXOR FinishPlus*	47212000 47212140 47212340 47212670 47212XXX

Consisting of:

	Included in	Code no.
AXOR MyEdition Single lever bidet mixer with push-open waste set without plate	47210XXX	47212XXX
AXOR MyEdition Plate 117 Glass	47210XXX	47902XXX

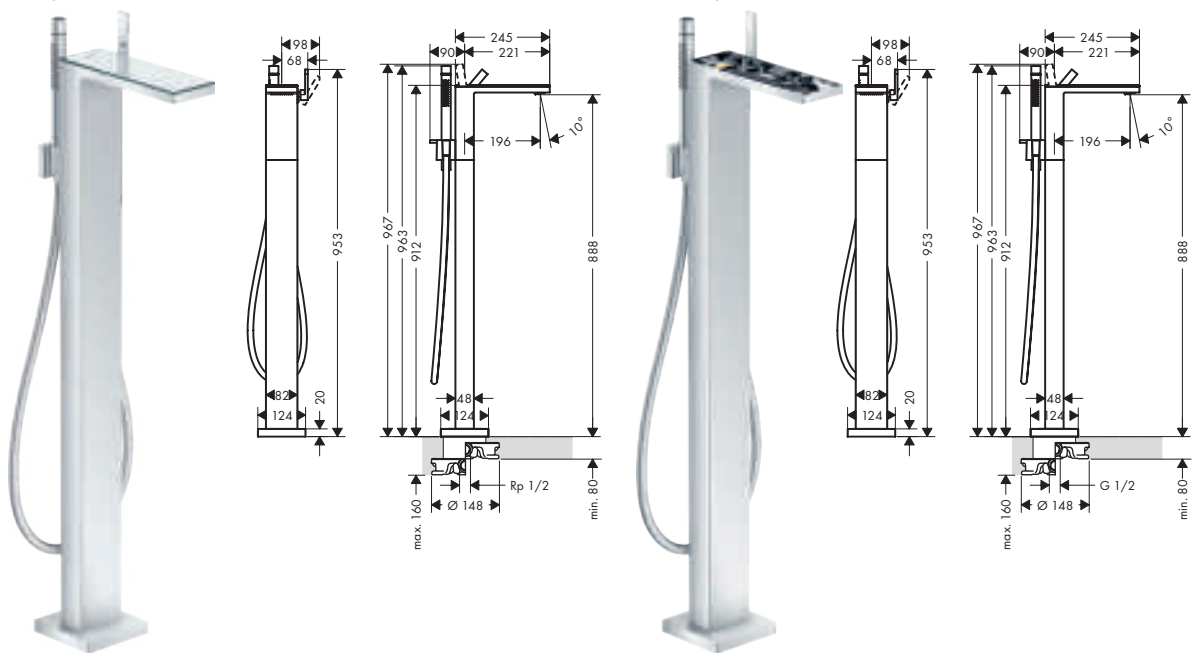
Single lever bath mixers floor-standing

Features of all variants

- / 2 functions
- / projection: 196 mm
- / spray type mixer: normal spray
- / spray type hand shower: Rain, MonoRain
- / maximum flow rate at 3 bar: 20 l/min
- / flow rate for bath spout at 3 bar: 20 l/min
- / flow rate of hand shower at 3 bar: 13 l/min
- / Ceramic cartridge
- / temperature limitation adjustable
- / diverter with automatic resetting
- / non-return valve
- / connection dimension: DN15
- / connection type: basic set
- / deck mounted
- / min. operating pressure: 1 bar
- / max. operating pressure: 10 bar

with plate

without plate



Overview variants

Projection (mm)	Cover	Finish	Code no.
196	with plate	Chrome/Mirror Glass Chrome/Black Glass Matt Black/Black Glass	47440000 47440600 47440670

Single lever bath mixers floor-standing

Overview variants

Projection (mm)	Cover	Finish	Code no.
196	without plate	Chrome Brushed Bronze Brushed Black Chrome Matt Black AXOR FinishPlus*	47442000 47442140 47442340 47442670 47442XXX

Consisting of:

		Included in	Code no.
	AXOR MyEdition Single lever bath mixer floor-standing without plate	47440XXX	47442XXX
	AXOR MyEdition Plate 245 Glass	47440XXX	47901XXX
	AXOR Starck Metal effect shower hose 1.25 m with cylindrical nuts	47442XXX 47440XXX	28282XXX
	AXOR Starck Baton hand shower 2jet	47442XXX 47440XXX	28532XXX

Required parts:

		Code no.
	Basic set for mixers floor-standing	10452180

Optional parts:

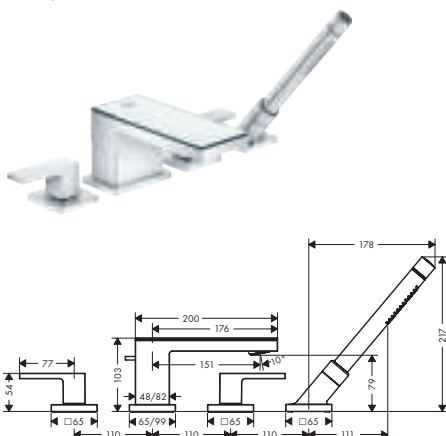
		Code no.
	Sealing foil for basic set bath mixer floor-standing	96441000

4-hole rim mounted bath mixers

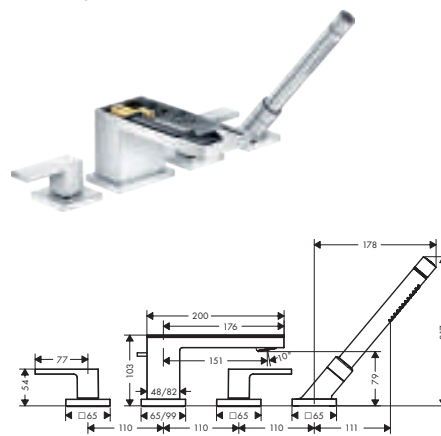
Features of all variants

- / 2 functions
- / projection: 151 mm
- / spray type mixer: normal spray
- / spray type hand shower: Rain, MonoRain
- / maximum pull-out length of hand shower: 1.10 m
- / maximum flow rate at 3 bar: 22 l/min
- / flow rate for bath spout at 3 bar: 22 l/min
- / flow rate of hand shower at 3 bar: 16 l/min
- / ceramic valves hot/cold 90°
- / diverter with automatic resetting
- / connection dimension: DN15
- / connection type: basic set
- / installation on bath rim
- / min. operating pressure: 1 bar
- / max. operating pressure: 10 bar

with plate



without plate



Technologies



Spray types



Overview variants

Projection (mm)	Cover	Finish	Code no.
151	with plate	Chrome/Mirror Glass Chrome/Black Glass Matt Black/Black Glass	47430000 47430600 47430670

For more information about this product, please see the next page.

4-hole rim mounted bath mixers

Overview variants

Projection (mm)	Cover	Finish	Code no.
151	without plate	Chrome	47432000
		Brushed Bronze	47432140
		Brushed Black Chrome	47432340
		Matt Black	47432670
		AXOR FinishPlus*	47432XXX

Consisting of:

	Included in	Code no.
AXOR MyEdition 4-hole rim mounted bath mixer without plate	47430XXX	47432XXX
AXOR MyEdition Plate 200 Glass	47430XXX	47900XXX
AXOR Starck Baton hand shower 2jet	47432XXX 47430XXX	28532XXX

Required parts:

	Code no.
Basic set for 4-hole rim mounted bath mixer	15480180

Optional parts:

	Code no.
Secuflex insert extension	98806000

Bath spouts

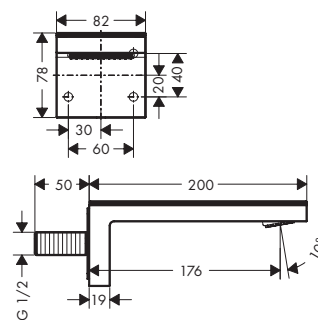
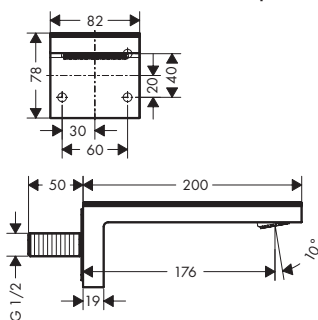
Features of all variants

- / 1 function
- / projection: 176 mm
- / wall-mounted
- / maximum flow rate at 3 bar: 24 l/min
- / connection dimension: DN 15
- / spray type: normal spray

with plate



without plate



Technologies



Overview variants

Projection (mm)	Cover	Finish	Code no.
176	with plate	Chrome/Mirror Glass	47410000
		Chrome/Black Glass	47410600
		Matt Black/Black Glass	47410670
176	without plate	Chrome	47412000
		Brushed Bronze	47412140
		Brushed Black Chrome	47412340
		Matt Black	47412670
		AXOR FinishPlus*	47412XXX

Bath spouts

Consisting of:



AXOR MyEdition Bath spout without plate

Included in
47410XXX

Code no.
47412XXX



AXOR MyEdition Plate 200 Glass

47410XXX

47900XXX

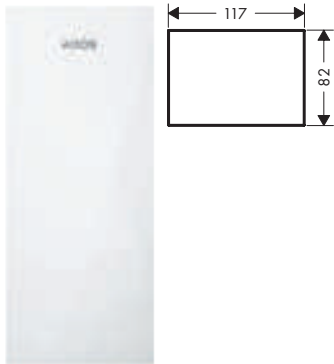
Plates metal

Features of all variants

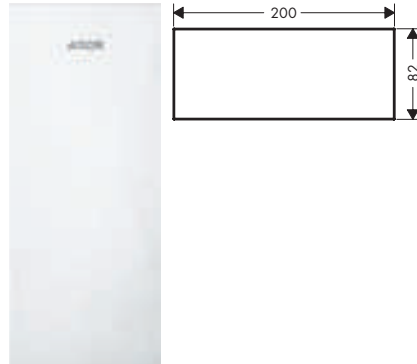
/ material: metal

/ removable

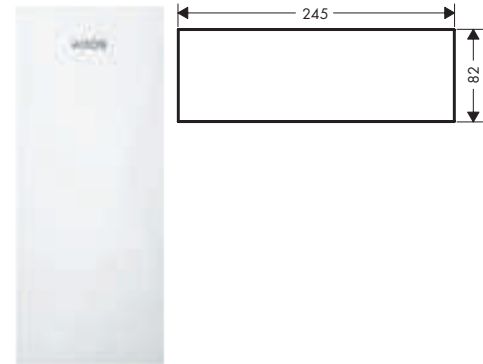
117



200



245



Overview variants

Length (mm)	Finish	Code no.
117	Chrome	47905000
	Brushed Bronze	47905140
	Brushed Black Chrome	47905340
	Matt Black	47905670
	AXOR FinishPlus*	47905XXX
200	Chrome	47903000
	Brushed Bronze	47903140
	Brushed Black Chrome	47903340
	Matt Black	47903670
	AXOR FinishPlus*	47903XXX
245	Chrome	47904000
	Brushed Bronze	47904140
	Brushed Black Chrome	47904340
	Matt Black	47904670
	AXOR FinishPlus*	47904XXX

*AXOR FinishPlus: For further AXOR FinishPlus surfaces please see the AXOR FinishPlus overview on page 33.

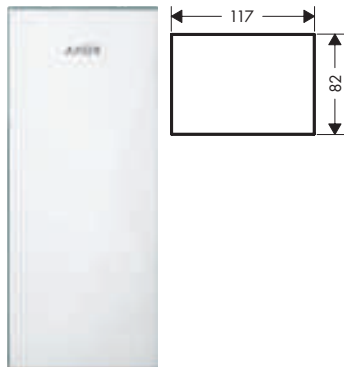
Plates glass

Features of all variants

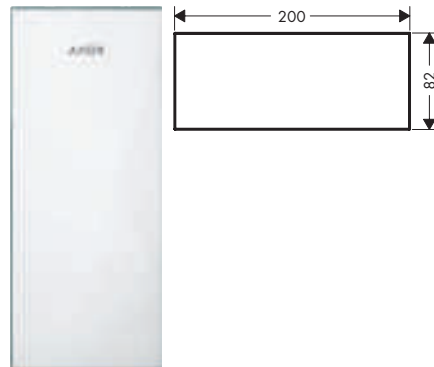
/ material: glass

/ removable

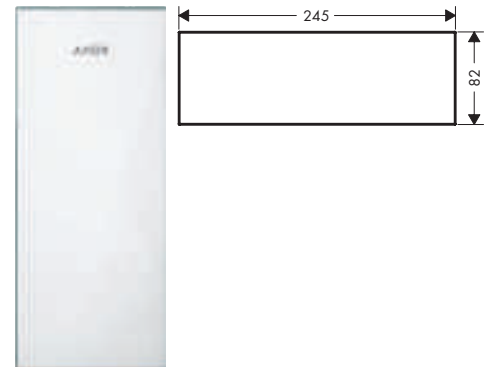
117



200



245



Overview variants

Length (mm)	Finish	Code no.
117	Mirror	47902000
	Black	47902600
200	Mirror	47900000
	Black	47900600
245	Mirror	47901000
	Black	47901600

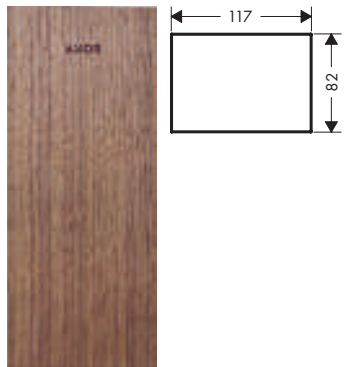
Plates American Walnut

Features of all variants

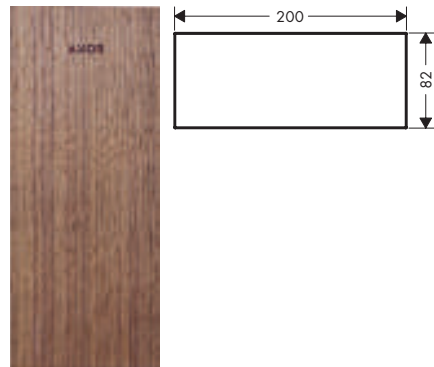
/ material: walnut
/ removable

/ since wood is a natural material, each piece is unique, and wood markings may vary

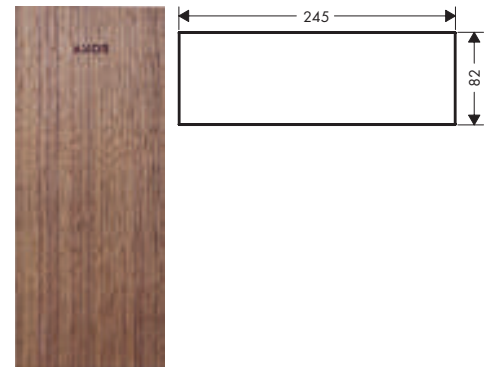
117



200



245



Overview variants

Length (mm)	Finish	Code no.
117	Black Walnut	47908000
200	Black Walnut	47906000
245	Black Walnut	47907000

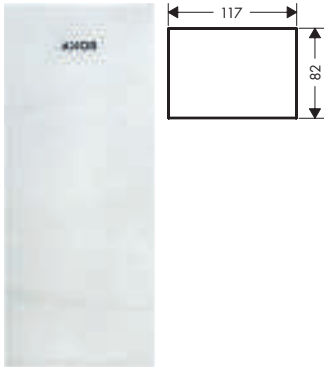
Plates Marble Lasa Covelano Vena Oro

Features of all variants

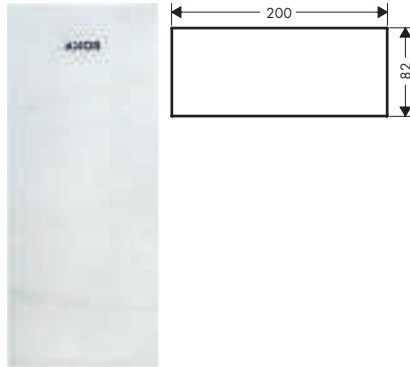
/ material: marble
/ removable

/ since marble is a natural material, each piece is unique, and marbling markings may vary

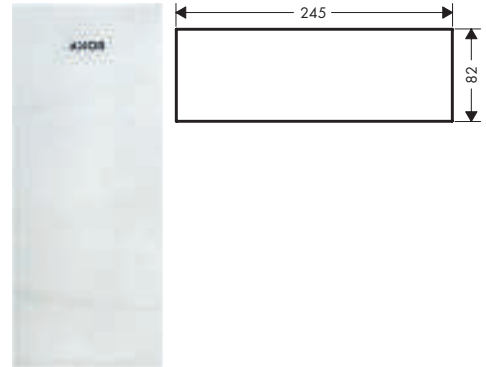
117



200



245



Overview variants

	Length (mm)	Finish	Code no.
	117	Marble Lasa Covelano Vena Oro	47911000
	200	Marble Lasa Covelano Vena Oro	47909000
	245	Marble Lasa Covelano Vena Oro	47910000

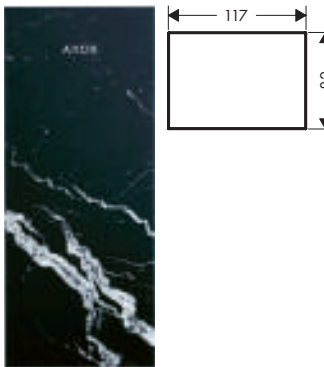
Plates Marble Nero Marquina

Features of all variants

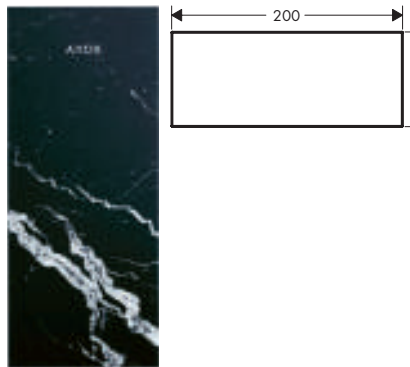
/ material: marble
/ removable

/ since marble is a natural material, each piece is unique, and marbling markings may vary

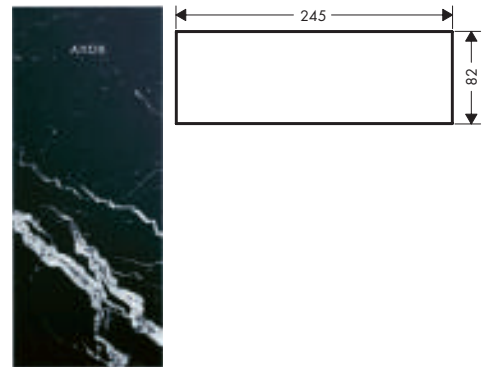
117



200



245



Overview variants

	Length (mm)	Finish	Code no.
	117	Marble Nero Marquina	47915000
	200	Marble Nero Marquina	47913000
	245	Marble Nero Marquina	47914000

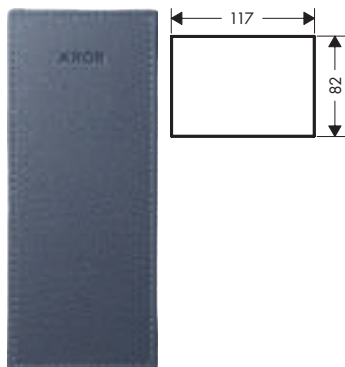
Plates Leather

Features of all variants

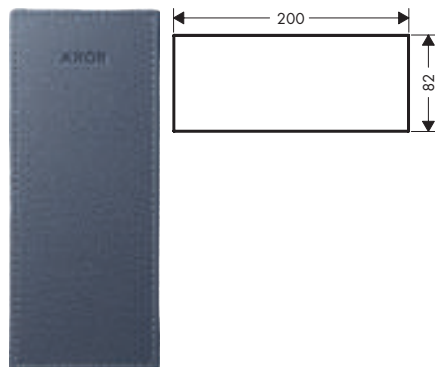
/ material: leather

/ removable

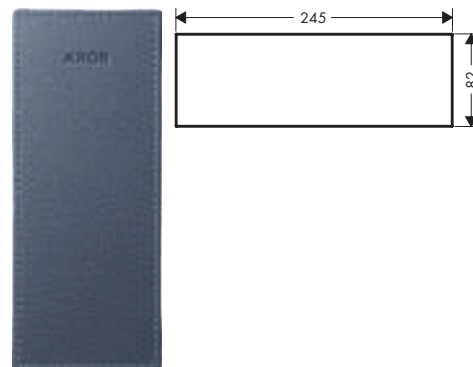
117



200



245



Overview variants

Length (mm)	Finish	Code no.
117	● Leather	47918000
200	● Leather	47916000
245	● Leather	47917000

Mounting plates

Features of all variants

/ the mounting plate is required to attach an individual material to the AXOR MyEdition products without plate

/ material thickness: recommended 3-5 mm (individual material)

/ material: stainless steel

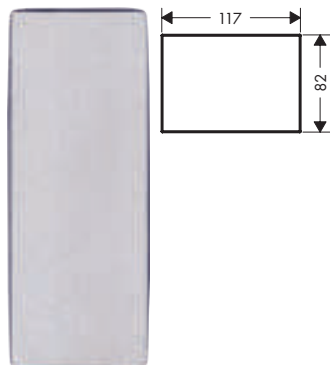
/ the corresponding AXOR MyEdition template is required for exact positioning of the individual material on the mounting plate

/ removable

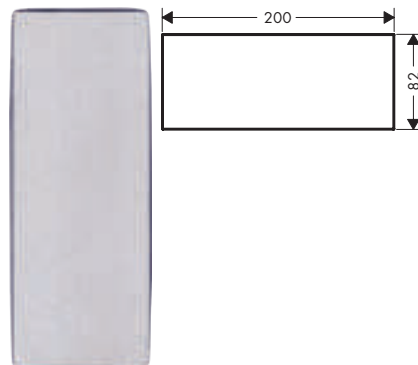
/ with rubber seal for tight fit

/ not included: individual material, glue

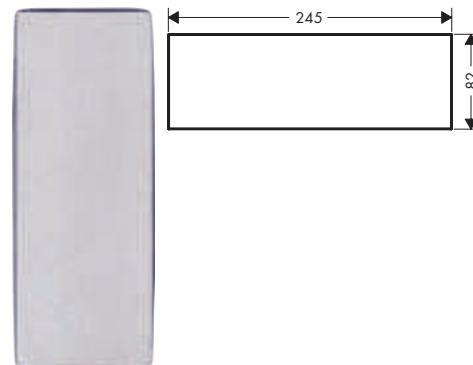
117



200






245



Overview variants

Length (mm)	Code no.
117	47923000
200	47921000
245	47922000

Mounting plates

⚠ Required parts:		For	Code no.
	AXOR MyEdition Template 117	47923XXX	47924000
	AXOR MyEdition Template 200	47921XXX	47925000
	AXOR MyEdition Template 245	47922XXX	47926000

Template 117

Features

/ for exact positioning during gluing of the individual material on the AXOR MyEdition mounting plate # 47923000

/ the template can be used several times
/ not included: individual material, glue



Code no.

47924000

Template 200

Features

/ for exact positioning during gluing of the individual material on the AXOR MyEdition mounting plate # 47921000

/ the template can be used several times
/ not included: individual material, glue



Code no.

47925000

Template 245

Features

/ for exact positioning during gluing of the individual material on the AXOR MyEdition mounting plate # 47922000

/ the template can be used several times
/ not included: individual material, glue

Code no.

47926000



Showers

**AXOR ShowerSolutions**

Overhead shower 300/300 2jet with shower arm

#35318XXX

page 469

**AXOR ShowerSolutions**

Overhead shower 460/300 3jet with ceiling connection

#35281XXX

page 473

**AXOR ShowerComposition**

Shower module 250/250 2jet with shoulder shower

#12594XXX

page 445

Shower controls

**AXOR ShowerSelect ID**

Thermostat for concealed installation square for 2 functions

#36752XXX

page 553

**AXOR ShowerSolutions**

Thermostatic module Select 460/90 for concealed installation for 2 functions

#18355XXX

page 561

**AXOR ShowerComposition**

Thermostatic module 540/110 for concealed installation for 3 functions

#12572XXX

page 447

Further complementary products

**AXOR Universal Rectangular**

Bath towel rail 600 mm

#42661XXX

page 606

**AXOR Suite Basins & Bathtub**

Wash bowl 400/400 without tap hole and overflow

#42003XXX

page 657

**AXOR Drain**

Finish set shower drain 700

#42520XXX

page 688





- Basin
- Bidet
- Bath
- Shower
- Thermostatic mixers / valves / diverters
- Overhead showers
- Hand showers
- Showers sets
- AXOR Starck V



AXOR STARCK

DESIGN

—

PHILIPPE STARCK





“The idea with AXOR Starck was to make a design that was deeply, structurally respectful of water. The first thing to bring water in history was the pump, and so the idea was to make something as simple as this.”

PHILIPPE STARCK

AXOR Starck

Minimalist bathroom design

AXOR Starck embodies the aesthetic of minimalism. The design focuses on the essential. A familiar shape, uncompromising in function, with an elemental connection to water. And therefore, an archetype: The collection is inspired by the historic hand pump used to pump water from wells.

Design: Philippe Starck

Characteristic design feature:

Rigorously cylindrical with a diagonal spout.

The designer's idea:

A minimalist statement: The basic form is derived from the historical hand pump—the first and most elementary object that made water available. Everything here has to do with the pure water and its beauty.

Special collection highlights:

- / Three handle variants: the classic feather handle, the modern pin handle and the ergonomic lever handle
- / Mixers in various ComfortZones that can be combined with various wash basins
- / AXOR Starck has been a bestseller for more than 25 years and is now a design classic
- / Innovative baton hand shower: the first of its kind and now a classic

Three single lever mixers— three handle variants

Three handles, one design: from the classic feather handle—the original from 1994 and a classic today—to the modern, totally streamlined pin handle and the ergonomic lever handle. The iconic, diagonal spout shape and the minimalist design underscore the focus on the essentials.

AXOR Starck single lever wash basin mixer with pin handle
/ Pin handle with integrated joystick cartridge: The sophisticated handle completes the minimalist design
/ Integrated cartridge enables a slim body
/ Three simple cylinders engender the minimalist design
/ Available in four heights: 70, 90, 170, 250



AXOR Starck single lever wash basin mixer with lever handle
/ Lever handle: The ergonomic lever handle represents modern minimalism
/ Available in three heights: 80, 100, 250
/ A CoolStart variant for saving energy and water is available



AXOR Starck single lever wash basin mixer with feather handle
/ Feather handle: classic form with a wink. The feather is a surprising detail within the overall minimalist look
/ Available in three heights: 60, 70, 220
/ Original design from 1994: inspired by the hand pump

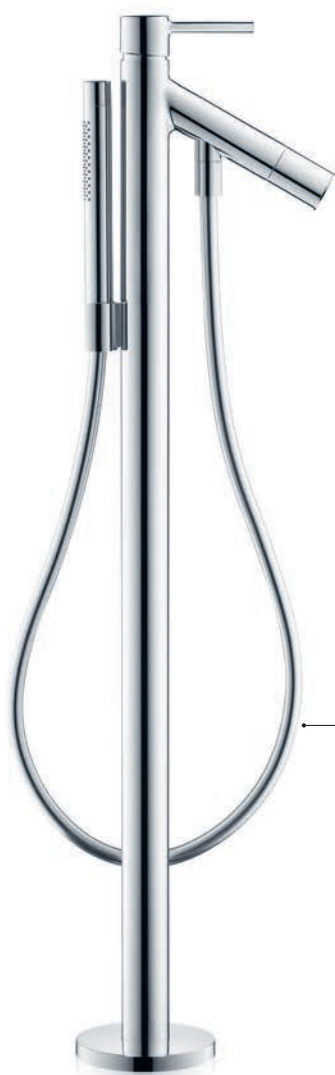
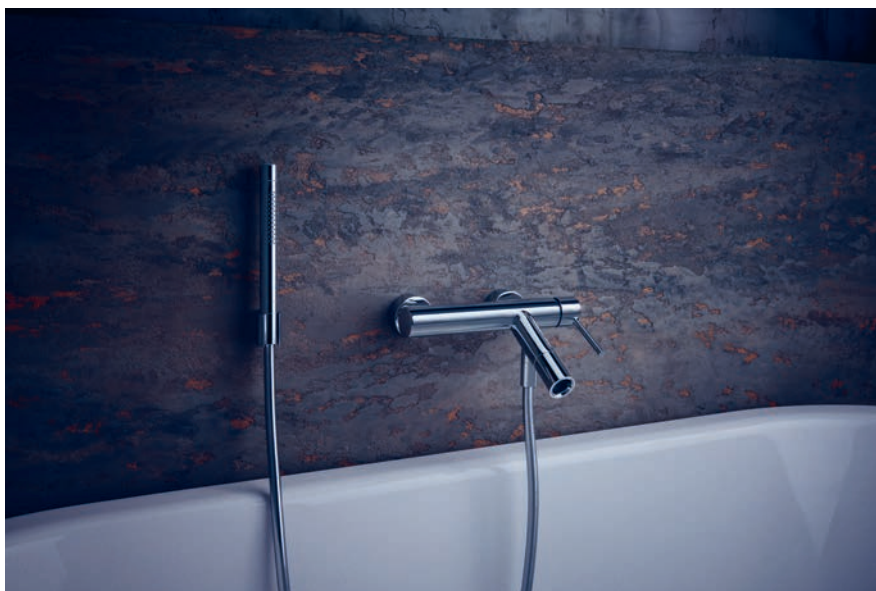




Minimalist look for the bathtub

An icon for your bathtub: Clear, linear forms with a diagonal spout that recalls the historical hand pump. The floor-standing bathtub mixer is particularly suitable for free-standing bathtubs.





Switching outlets

/ Switching from bathtub mixer to hand shower is done at the bath spout

/ Flow rate: 22 l/min (at 3 bar)

Metal effect shower hose 1.25 m (# 28282000) and Baton hand shower 2Jet (# 28532000)

/ Included in scope of delivery

Single lever basin mixers for hand washbasins

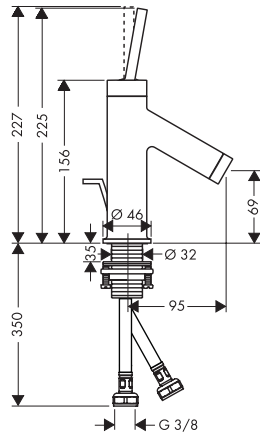
Features of all variants

/ consists of: single lever basin mixer, waste set
 / spray type: normal spray
 / maximum flow rate at 3 bar: 5 l/min
 / ceramic cartridge

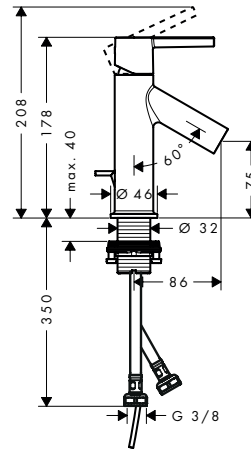
/ suitable for continuous flow water heaters
 / pop-up waste set G 1 1/4
 / connection type: G 3/8 hose connections
 / connection dimension: DN 15

/ EU taxonomy: max. 6 l/min - Substantial Contribution (SC) possible

70



80



Sustainability



Technologies



Overview variants

ComfortZone	Projection (mm)	Spout height (mm)	Handle version	Finish	Code no.
70	95	69	pin	Chrome 10116000 Brushed Black Chrome 10116340 AXOR FinishPlus* 10116XXX	
80	86	75	lever	Chrome 10102000 Brushed Black Chrome 10102340 AXOR FinishPlus* 10102XXX	

Single lever basin mixers

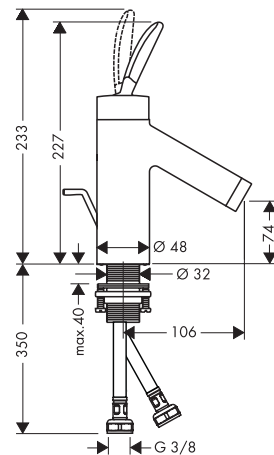
Features of all variants

/ consists of: single lever basin mixer, waste set
 / ComfortZone: 70
 / projection: 106 mm
 / spout height: 74 mm
 / handle variant: pin handle

/ spray type: normal spray
 / maximum flow rate at 3 bar: 5 l/min
 / ceramic cartridge
 / suitable for continuous flow water heaters
 / connection type: G 3/8 hose connections

/ connection dimension: DN 15
 / EU taxonomy: max. 6 l/min - Substantial Contribution (SC) possible

70



Sustainability



Technologies



Certificates/declarations



Overview variants

ComfortZone	Projection (mm)	Spout height (mm)	Waste set	Finish	Code no.
70	106	74	pop-up	Chrome 10010000 AXOR FinishPlus* 10010XXX	
70	106	74	non-closing	Chrome 10018000 AXOR FinishPlus* 10018XXX	

Single lever basin mixers with pin handle

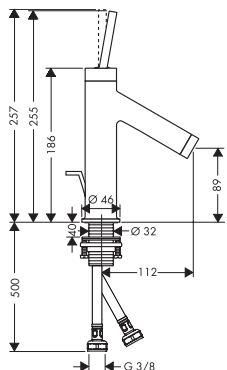
Features of all variants

/ consists of: single lever basin mixer, waste set
 / projection: 112 mm
 / handle variant: pin handle
 / spray type: normal spray

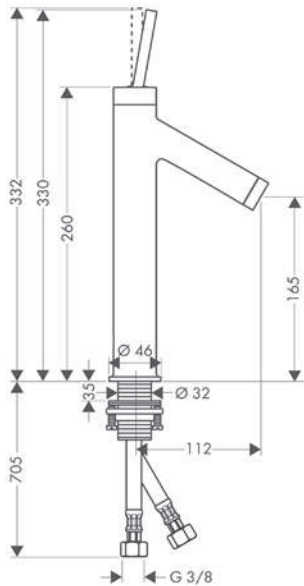
/ maximum flow rate at 3 bar: 5 l/min
 / ceramic cartridge
 / suitable for continuous flow water heaters
 / connection type: G 3/8

/ connection dimension: DN15
 / EU taxonomy: max. 6 l/min - Substantial Contribution (SC) possible

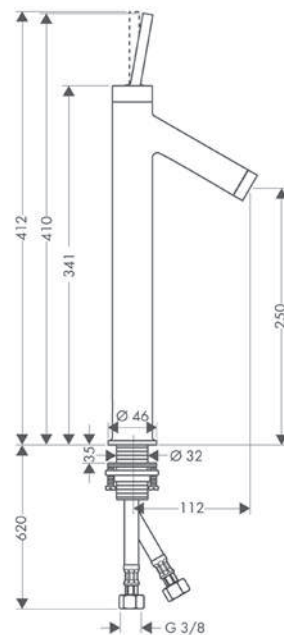
90



170



250



Sustainability



Technologies



Overview variants

ComfortZone	Projection (mm)	Spout height (mm)	Waste set	For wash bowls	Finish	Code no.
90	112	89	pop-up	-	Chrome	10111000
					Brushed Black Chrome	10111340
					AXOR FinishPlus*	10111XXX
90	112	89	non-closing	-	Chrome	10117000
					Brushed Black Chrome	10117340
					AXOR FinishPlus*	10117XXX
170	112	165	non-closing	■	Chrome	10123000
					Brushed Black Chrome	10123340
					AXOR FinishPlus*	10123XXX
250	112	250	non-closing	■	Chrome	10129000
					Brushed Black Chrome	10129340
					AXOR FinishPlus*	10129XXX

* AXOR FinishPlus: For further AXOR FinishPlus surfaces please see the AXOR FinishPlus overview on page 33.

Single lever basin mixers with lever handle

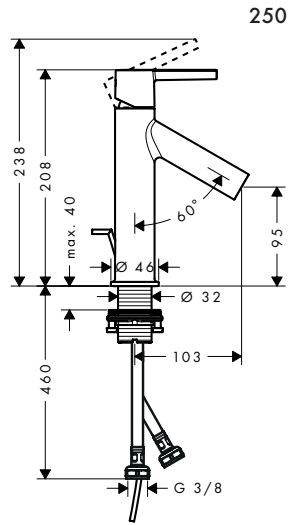
Features of all variants

/ consists of: single lever basin mixer, waste set
 / handle variant: lever handle
 / spray type: normal spray
 / ceramic cartridge

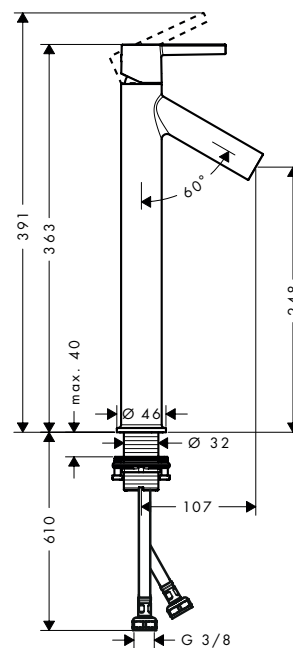
/ temperature limitation adjustable
 / suitable for continuous flow water heaters
 / connection type: G 3/8 hose connections
 / connection dimension: DN 15

/ EU taxonomy: max. 6 l/min - Substantial Contribution (SC) possible

100



250



Sustainability



Technologies



Certificates/declarations



Overview variants

ComfortZone	Projection (mm)	Spout height (mm)	Waste set	CoolStart	For wash bowls	Max. flow rate at 3 bar (l/min)	Finish	Code no.
100	103	95	pop-up	■	-	3.5	Chrome	10007000
							Brushed Black Chrome	10007340
							AXOR FinishPlus*	10007XXX
100	103	95	pop-up	-	-	5	Chrome	10001000
							Brushed Black Chrome	10001340
							Stainless Steel Optic	10001800
							AXOR FinishPlus*	10001XXX
100	103	95	non-closing	-	-	5	Chrome	10003000
							Brushed Black Chrome	10003340
							AXOR FinishPlus*	10003XXX
250	107	248	non-closing	-	■	5	Chrome	10103000
							Brushed Black Chrome	10103340
							AXOR FinishPlus*	10103XXX

i 10003XXX This product is only available in the AXOR FinishPlus surface Brushed Red Gold via AXOR Signature.

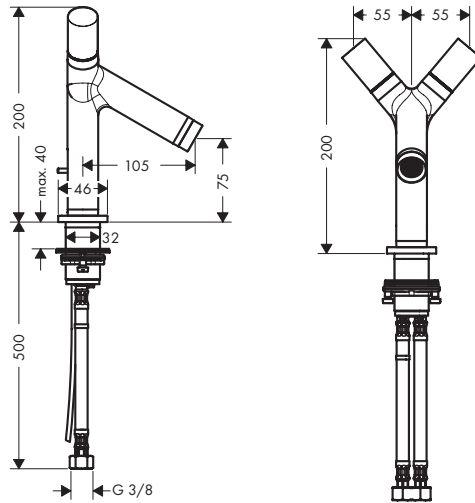
2-handle basin mixer 80 with pop-up waste set

Features

/ consists of: 2-handle basin mixer, waste set
 / ComfortZone: 80
 / projection: 105 mm
 / spout height: 75 mm
 / handle variant: cylinder handle

/ spray type: normal spray
 / maximum flow rate at 3 bar: 5 l/min
 / ceramic valves hot/ cold 180°
 / suitable for continuous flow water heaters
 / pop-up waste set G 1¼

/ connection type: G ¾ hose connections
 / connection dimension: DN 15
 / EU taxonomy: max. 6 l/min - Substantial Contribution (SC) possible



Sustainability



Technologies



Finish	Code no.
Chrome	10030000
AXOR FinishPlus*	10030XXX

i This product is only available in the AXOR FinishPlus surface Polished Red Gold via AXOR Signature.

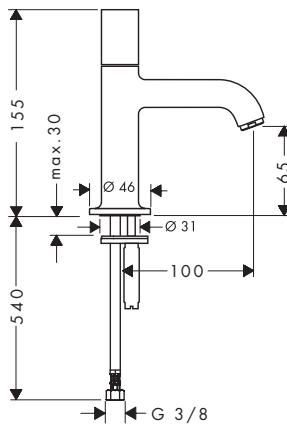
Pillar tap 70 without waste set

Features

/ ComfortZone: 70
 / projection: 100 mm
 / spout height: 65 mm
 / handle variant: cylinder handle

/ spray type: normal spray
 / maximum flow rate at 3 bar: 5 l/min
 / ceramic valve 180°
 / for cold water connection

/ connection type: G ¾ hose connection
 / connection dimension: DN 15
 / EU taxonomy: max. 6 l/min - Substantial Contribution (SC) possible



Sustainability



Technologies



Finish	Code no.
Chrome	38130000
Brushed Black Chrome	38130340
AXOR FinishPlus*	38130XXX

Single lever bidet mixers

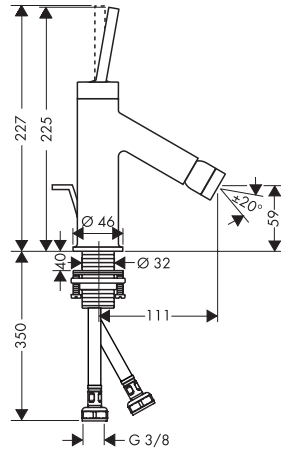
Features of all variants

/ consists of: single lever bidet mixer, waste set
 / aerator with ball pivot
 / spray type: normal spray

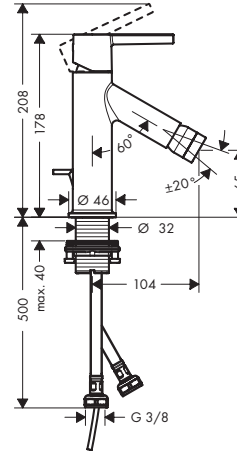
/ maximum flow rate at 3 bar: 7,5 l/min
 / ceramic cartridge
 / suitable for continuous flow water heaters

/ pop-up waste set G 1 1/4
 / connection type: G 3/8 hose connections
 / connection dimension: DN 15

pin handle



lever handle



Technologies



Overview variants

Projection (mm)	Spout height (mm)	Handle version	Finish	Code no.
111	59	pin	<ul style="list-style-type: none"> Chrome 10211000 Brushed Black Chrome 10211340 AXOR FinishPlus* 10211XXX 	
104	65	lever	<ul style="list-style-type: none"> Chrome 10214000 Brushed Black Chrome 10214340 AXOR FinishPlus* 10214XXX 	

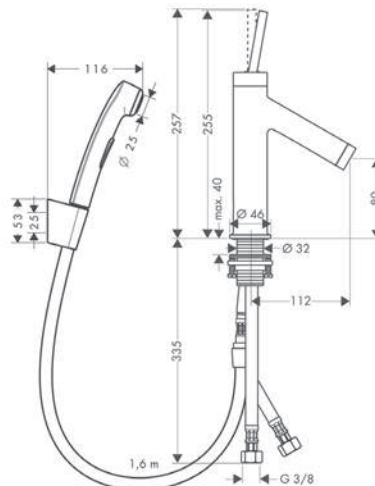
Single lever basin mixer 90 with bidette hand shower and shower hose 1.60 m

Features

/ consists of: single lever basin mixer, bidette hand shower, shower holder, shower hose, waste set
 / ComfortZone: 90
 / projection: 112 mm
 / spout height: 89 mm
 / handle variant: pin handle

/ spray type: normal spray
 / spray type Bidette: shower spray
 / maximum flow rate at 3 bar: 5 l/min
 / ceramic cartridge
 / suitable for continuous flow water heaters
 / push-open waste set G 1 1/4

/ connection type: G 3/8 hose connections
 / connection dimension: DN 15
 / EU taxonomy: max. 6 l/min - Substantial Contribution (SC) possible



Sustainability



Technologies



Certificates/declarations



Finish	Code no.
Chrome 10300000	
Brushed Black Chrome 10300340	
AXOR FinishPlus* 10300XXX	



This product is only available in the AXOR FinishPlus surface Polished Gold Optic via AXOR Signature.

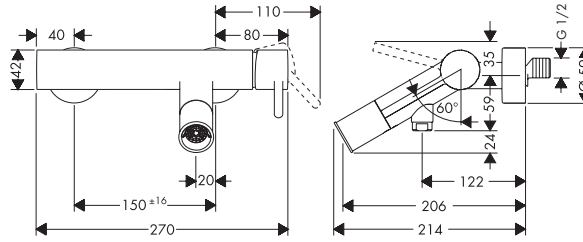
Single lever bath mixer for exposed installation with pin handle

Features

- / 2 functions
- / projection: 200 mm
- / centre distance: 150 ± 16 mm
- / spray type mixer: normal spray
- / maximum flow rate at 3 bar: 18 l/min
- / flow rate for bath spout at 3 bar: 18 l/min




- / flow rate of hand shower at 3 bar: 16 l/min
- / ceramic cartridge
- / temperature limitation adjustable
- / diverter with automatic resetting
- / non-return valve
- / with silencer

- / suitable for continous flow water heaters
- / connection dimension: DN15
- / connection type: S-connections
- / wall-mounted
- / min. operating pressure: 1 bar
- / max. operating pressure: 10 bar



Technologies



Finish	Code no.
 Chrome	10411000
 Brushed Black Chrome	10411340
 AXOR FinishPlus*	10411XXX

Single lever bath mixer floor-standing with pin handle

Features

- / consists of: single lever bath mixer floor standing, baton hand shower, shower holder
- / 2 functions
- / projection: 156 mm
- / spray type mixer: normal spray
- / spray type hand shower: MonoRain, Rain
- / maximum flow rate at 3 bar: 18 l/min
- / flow rate for bath spout at 3 bar: 18 l/min
- / flow rate of hand shower at 3 bar: 15 l/min
- / ceramic cartridge
- / temperature limitation adjustable
- / diverter with automatic resetting
- / non-return valve
- / suitable for continuous flow water heaters
- / connection dimension: DN15
- / connection type: basic set
- / deck mounted
- / min. operating pressure: 1 bar
- / max. operating pressure: 10 bar

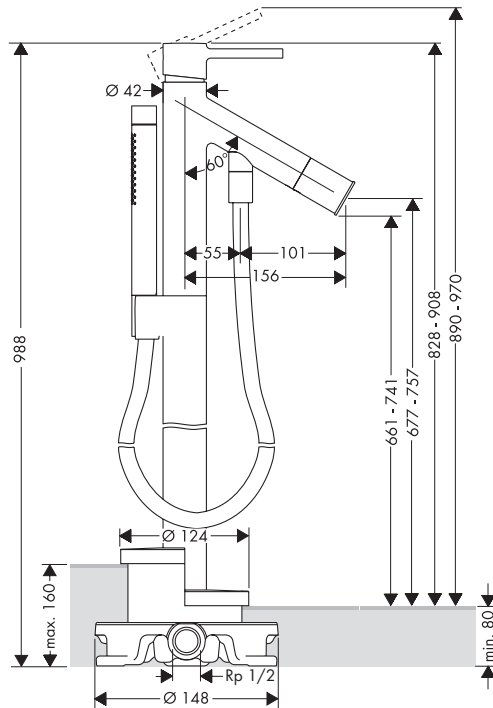
Technologies



Spray types



Certificates/declarations



Finish	Code no.
Chrome	10456000
Brushed Black Chrome	10456340
AXOR FinishPlus*	10456XXX

Consisting of:

	Included in	Code no.
AXOR Starck Metal effect shower hose 1.25 m with cylindrical nuts	10456XXX	28282XXX
AXOR Starck Baton hand shower 2jet	10456XXX	28532XXX

Required parts:

	Code no.
Basic set for mixers floor-standing	10452180

Optional parts:

	Finish	Code no.
Sealing foil for basic set bath mixer floor-standing		96441000
AXOR Starck Extension 60 mm for spout	Chrome	10981000
	AXOR FinishPlus*	10981XXX
AXOR Starck Extension 60 mm for pipe		97686000

Single lever bath mixers for concealed installation

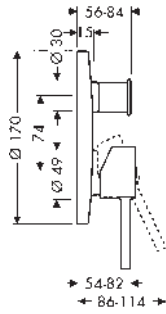
Features of all variants

/ 2 functions
/ ceramic cartridge
/ temperature limitation adjustable

/ diverter with automatic resetting
/ suitable for continuous flow water heaters
/ connection type: basic set

/ wall-mounted
/ no additional maintenance opening required

pin handle



Overview variants

Handle version	Security combination EN 1717	Max. flow rate at 3 bar (l/min)	Finish	Code no.
pin	-	29	Chrome	10416000
			Brushed Black Chrome	10416340
			AXOR FinishPlus*	10416XXX
pin	■	26	Chrome	10418000
			Brushed Black Chrome	10418340

⚠ Required parts (choose one):

Option	Image	Description	Code no.
Option 1		AXOR iBox universal 2 Basic set	01400180
		Adapter plate for iBox universal 2	13588000
Option 2		AXOR iBox universal Basic set	01700180

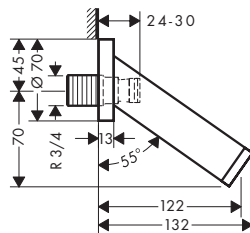
Bath spout

Features

/ 1 function
/ projection: 122 mm

/ maximum flow rate at 3 bar: 20 l/min
/ connection dimension: device connection DN20

/ spray type: normal spray



Technologies



Finish	Code no.
Chrome	10410000
Brushed Black Chrome	10410340
AXOR FinishPlus*	10410XXX

2-hole rim mounted thermostatic bath mixer with zero handles

Features

/ 2 functions
 / Safety stop at 40 °C
 / temperature limitation adjustable

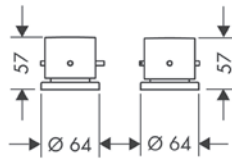
/ suitable for remote spout
 / connection dimension: DN15
 / connection type: basic set

/ rim mounted

Sustainability



Technologies



Finish	Code no.
Chrome	10480000
Brushed Black Chrome	10480340
AXOR FinishPlus*	10480XXX

Required parts: Code no.

Basic set for 2-hole rim mounted thermostatic bath mixer	15486180
--	----------

Optional parts: Code no.

Flexible connection tube 800 mm	58308000
---------------------------------	----------

Connection tube set for 2-hole rim mounted thermostatic bath mixer	13089000
--	----------

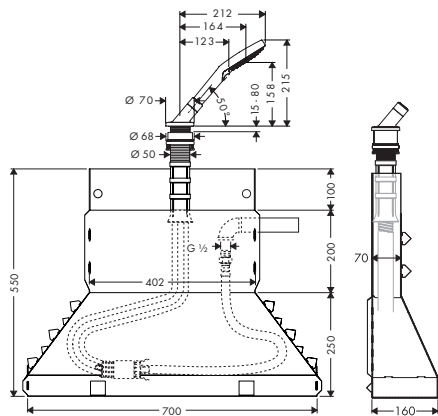
Rim mounted bath set with hand shower

Features

/ consists of: hand shower, shower holder, shower hose, Secubox, Secuflex hose brake, hose insert

/ suitable for for installation on bath rim or tile surround (no mounting plate available)
 / connection dimension: DN15

/ drilling diameter on bath tub: Ø 50 mm
 / maximum pull-out length of hand shower 1.10 m



Finish	Code no.
Chrome	19418000
Brushed Bronze	19418140
Brushed Black Chrome	19418340
Polished Gold Optic	19418990
AXOR FinishPlus*	19418XXX

Consisting of: Included in Code no.

AXOR ShowerSolutions Hand shower 120 3jet	19418XXX	26050XXX
---	----------	----------

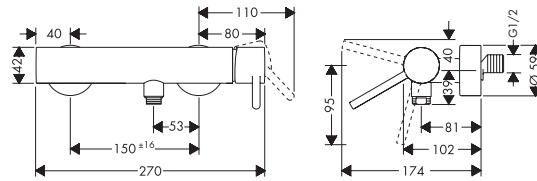
Optional parts: Code no.

Secuflex insert extension	98806000
---------------------------	----------

Single lever shower mixer for exposed installation with pin handle

Features

- / 1 function
- / centre distance: 150 ± 16 mm
- / maximum flow rate at 3 bar: 28 l/min
- / flow rate of hand shower at 3 bar: 16 l/min
- / ceramic cartridge
- / temperature limitation adjustable
- / non-return valve
- / with silencer
- / suitable for continuous flow water heaters
- / hose connection DN15
- / connection dimension: DN15
- / min. operating pressure: 1 bar
- / max. operating pressure: 10 bar
- / connection type: S-connections

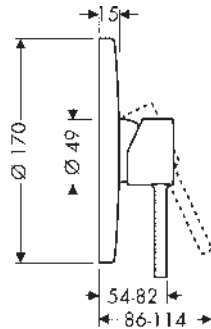


Finish	Code no.
Chrome	10611000
Brushed Black Chrome	10611340
AXOR FinishPlus*	10611XXX




Single lever shower mixer for concealed installation with pin handle

Features

- / 1 function
- / maximum flow rate at 3 bar: 29 l/min
- / temperature limitation adjustable
- / with silencer
- / suitable for continuous flow water heaters
- / min. operating pressure: 1 bar
- / max. operating pressure: 10 bar
- / connection type: basic set



Finish	Code no.
Chrome	10616000
Brushed Black Chrome	10616340
AXOR FinishPlus*	10616XXX

⚠ Required parts (choose one):		Code no.
Option 1		AXOR iBox universal 2 Basic set 01400180
	+	
		Adapter plate for iBox universal 2 13588000
Option 2		AXOR iBox universal Basic set 01700180

*AXOR FinishPlus: For further AXOR FinishPlus surfaces please see the AXOR FinishPlus overview on page 33.

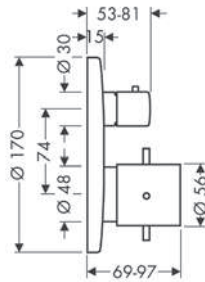
Thermostat for concealed installation with shut-off valve

Features

- / 1 function
- / thermostat cartridge, ceramic valves 90°
- / maximum flow rate at 3 bar: 25 l/min
- / min. operating pressure: 1 bar

- / max. operating pressure: 10 bar
- / Safety stop at 40 °C
- / temperature limitation adjustable
- / non-return valve

- / with silencer
- / connection type: basic set



Sustainability



Technologies



Finish	Code no.
Chrome	10700000
Brushed Black Chrome	10700340
AXOR FinishPlus*	10700XXX

⚠ Required parts (choose one):

Option	Image	Description	Code no.
Option 1		AXOR iBox universal 2 Basic set	01400180
	+	Adapter plate for iBox universal 2	13588000
Option 2		AXOR iBox universal Basic set	01700180

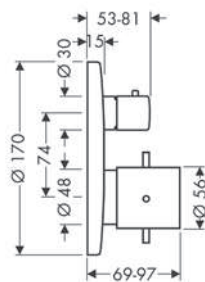
Thermostat for concealed installation with shut-off/ diverter valve

Features

- / 2 functions
- / thermostat cartridge, shut-off valve
- / flow rate upper outlet: 25 l/min
- / flow rate lower outlet: 29 l/min

- / maximum flow rate at 3 bar: 29 l/min
- / min. operating pressure: 1 bar
- / max. operating pressure: 10 bar
- / Safety stop at 40 °C

- / temperature limitation adjustable
- / non-return valve
- / with silencer
- / connection type: basic set



Sustainability



Technologies






Certificates/declarations



Finish	Code no.
Chrome	10720000
Brushed Black Chrome	10720340
AXOR FinishPlus*	10720XXX

Thermostat for concealed installation with shut-off/ diverter valve

Required parts (choose one):

			Code no.
Option 1		AXOR iBox universal 2 Basic set	01400180
	+		
		Adapter plate for iBox universal 2	13588000
Option 2		AXOR iBox universal Basic set	01700180

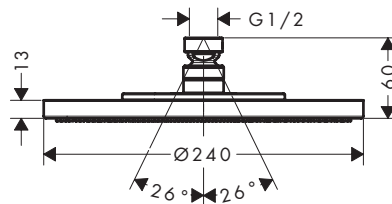
Overhead shower 240 1jet

Features

/ shower head size: 240 mm
 / spray type: RainAir
 / flow rate RainAir spray at 3 bar: 19 l/min
 / maximum flow rate at 3 bar: 19 l/min

/ minimum flow pressure: 1,5 bar
 / overhead shower angle adjustable
 / material spray disc: metal
 / spray disc removable for cleaning

/ installation: ceiling or wall
 / connection thread: G 1/2
 / connection dimension: DN15
 / suitable for continuous flow water heaters



Technologies








Spray types





Certificates/declarations


















Finish	Code no.
 Chrome	28494000
 Brushed Bronze	28494140
 Brushed Black Chrome	28494340
 Polished Gold Optic	28494990
 AXOR FinishPlus*	28494XXX

Required parts (choose one):

	AXOR ShowerSolutions Shower arm 390 mm
---	--

	AXOR ShowerSolutions Ceiling connector 100 mm
---	---

	AXOR ShowerSolutions Ceiling connector 300 mm
---	---

Finish	Code no.
 Chrome	26431000
 Brushed Bronze	26431140
 Brushed Black Chrome	26431340
 Polished Gold Optic	26431990
 AXOR FinishPlus*	26431XXX
 Chrome	26432000
 Brushed Bronze	26432140
 Brushed Black Chrome	26432340
 Polished Gold Optic	26432990
 AXOR FinishPlus*	26432XXX
 Chrome	26433000
 Brushed Bronze	26433140
 Brushed Black Chrome	26433340
 Polished Gold Optic	26433990
 AXOR FinishPlus*	26433XXX

Baton hand showers 2jet, 1jet

Features of all variants

/ shower head size: 68 x 24 mm

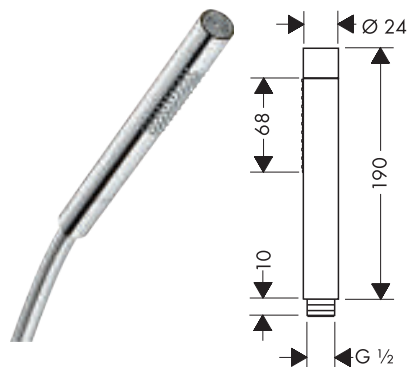
/ QuickClean: Limescale deposits can simply be rubbed off with your finger

/ minimum flow pressure: 1 bar

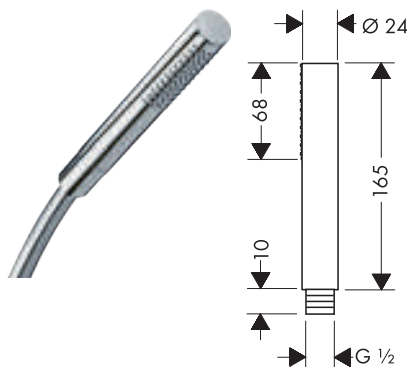
/ rinseable filter washer
/ connection thread: G 1/2

/ suitable for continuous flow water heaters

2 spray types



1 spray type



Sustainability



Technologies



Spray types



Certificates/declarations



Overview variants

Shower head size	Number of sprays	Spray types	Function from (l/min)	Max. flow rate at 3 bar (l/min)	Min. flow pressure (bar)	Finish	Code no.
68/24	2	Rain, MonoRain	6.4	14.5	1	Chrome Brushed Bronze Brushed Black Chrome Matt Black Polished Gold Optic AXOR FinishPlus*	28532000 28532140 28532340 28532670 28532990 28532XXX
68/24	1	Rain	6.5	8	1	Chrome Brushed Bronze Brushed Black Chrome Polished Gold Optic AXOR FinishPlus*	10531000 10531140 10531340 10531990 10531XXX

Shower sets 2jet, 1jet

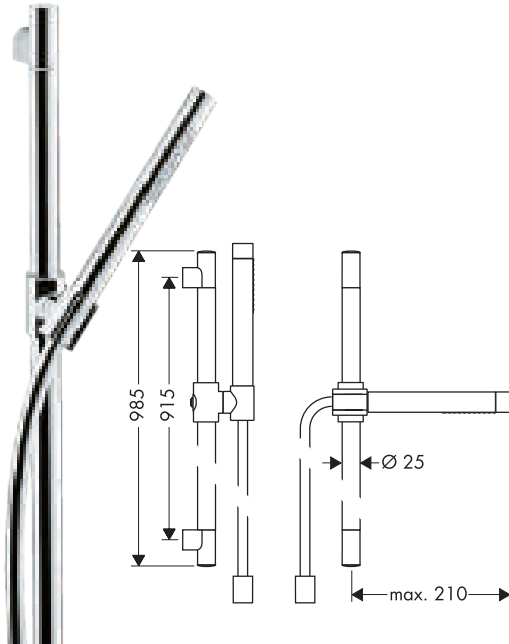
Features of all variants

- / consists of: shower bar, baton hand shower, shower hose, slider
- / shower head size: 68 x 24 mm
- / QuickClean: Limescale deposits can simply be rubbed off with your finger

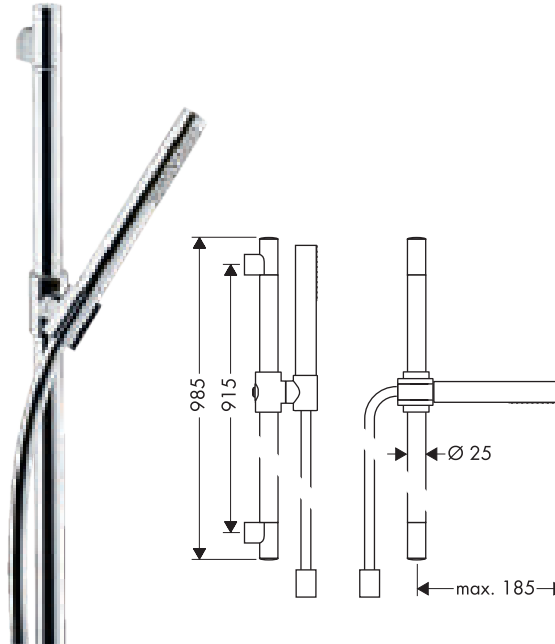
- / minimum flow pressure: 1 bar
- / operating pressure: min. 1 bar/max. 6 bar
- / wall supports made of plastic
- / profile pipe: round
- / shower bar diameter: 25 mm

- / drilling distance: 915 mm
- / shower hose with cylindrical nut on both ends
- / pivot connector prevents hose from tangling

2 spray types



1 spray type



Sustainability



Technologies



Spray types



Overview variants

Shower head size	Number of sprays	Spray types	Function from (l/min)	Max. flow rate at 3 bar (l/min)	Min. flow pressure (bar)	Finish	Code no.
68/24	2	Rain, MonoRain	6.4	14.5	1	<ul style="list-style-type: none"> Chrome 27980000 Brushed Bronze 27980140 Brushed Black Chrome 27980340 Polished Gold Optic 27980990 AXOR FinishPlus* 27980XXX 	
68/24	1	Rain		8	1	<ul style="list-style-type: none"> Chrome 27983000 Brushed Bronze 27983140 Brushed Black Chrome 27983340 Polished Gold Optic 27983990 AXOR FinishPlus* 27983XXX 	

Consisting of:

		Included in	Code no.
	AXOR Starck Baton hand shower 2jet	27980XXX	28532XXX
	AXOR Starck Baton hand shower 1jet EcoSmart	27983XXX	10531XXX
	AXOR Starck Metal effect shower hose 1.60 m with cylindrical nuts	27980XXX 27983XXX	28286XXX

* AXOR FinishPlus: For further AXOR FinishPlus surfaces please see the AXOR FinishPlus overview on page 33.

AXOR Starck | Shower bar

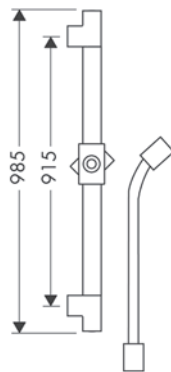
Shower bar 0.90 m with shower hose 1.60 m

Features

/ consists of: shower bar, shower hose, slider
 / pipe length: 985 mm
 / shower bar diameter: 25 mm
 / profile pipe: round

/ drilling distance: 915 mm
 / shower hose length: 1600 mm
 / metal hand shower holder
 / slider steplessly adjustable

/ suitable for: AXOR Starck baton hand shower and
 AXOR One hand shower



Finish	Code no.
Chrome	27830000
Brushed Bronze	27830140
Brushed Black Chrome	27830340
Polished Gold Optic	27830990
AXOR FinishPlus*	27830XXX

Consisting of:



AXOR Starck Metal effect shower hose 1.60 m with cylindrical nuts

Included in
27830XXX

Code no.
28286XXX



“AXOR Starck V is a revolution: a minimal object, nearly invisible and totally transparent, that encloses the water vortex. This enables a special experience with water.”

PHILIPPE STARCK

AXOR Starck V

The vitality of water

AXOR Starck V is a unique eye-catcher at the wash basin. With its organic, sculptural design, the spectacular glass body displays the water, revealing a wonder of nature: the water vortex. In all its strength and beauty. Vital and captivating.

Design: Philippe Starck

Characteristic design feature:

A fascinating eye-catcher: The organic, sculptural form with a body in transparent glass, making the powerful, specially designed water vortex visible.

The designer's idea:

Making the beauty and vitality of water visible by means of a glass body.

Special collection highlights:

- / Three variants: Single lever mixer 140 and 220 with a higher base or with a two-hole mixer with a separate pin handle
- / Modern facet cut as additional glass option
- / With EasyClick and SafetyStop function: The spout can be separated from the base with just a click in order to clean or replace it
- / Convenient 360° swivel spout
- / Spout made of high-quality crystal glass
- / Economical water consumption: 4 l/min (at 3 bar)
- / AXOR Starck V is the fifth collection designed in cooperation with Philippe Starck

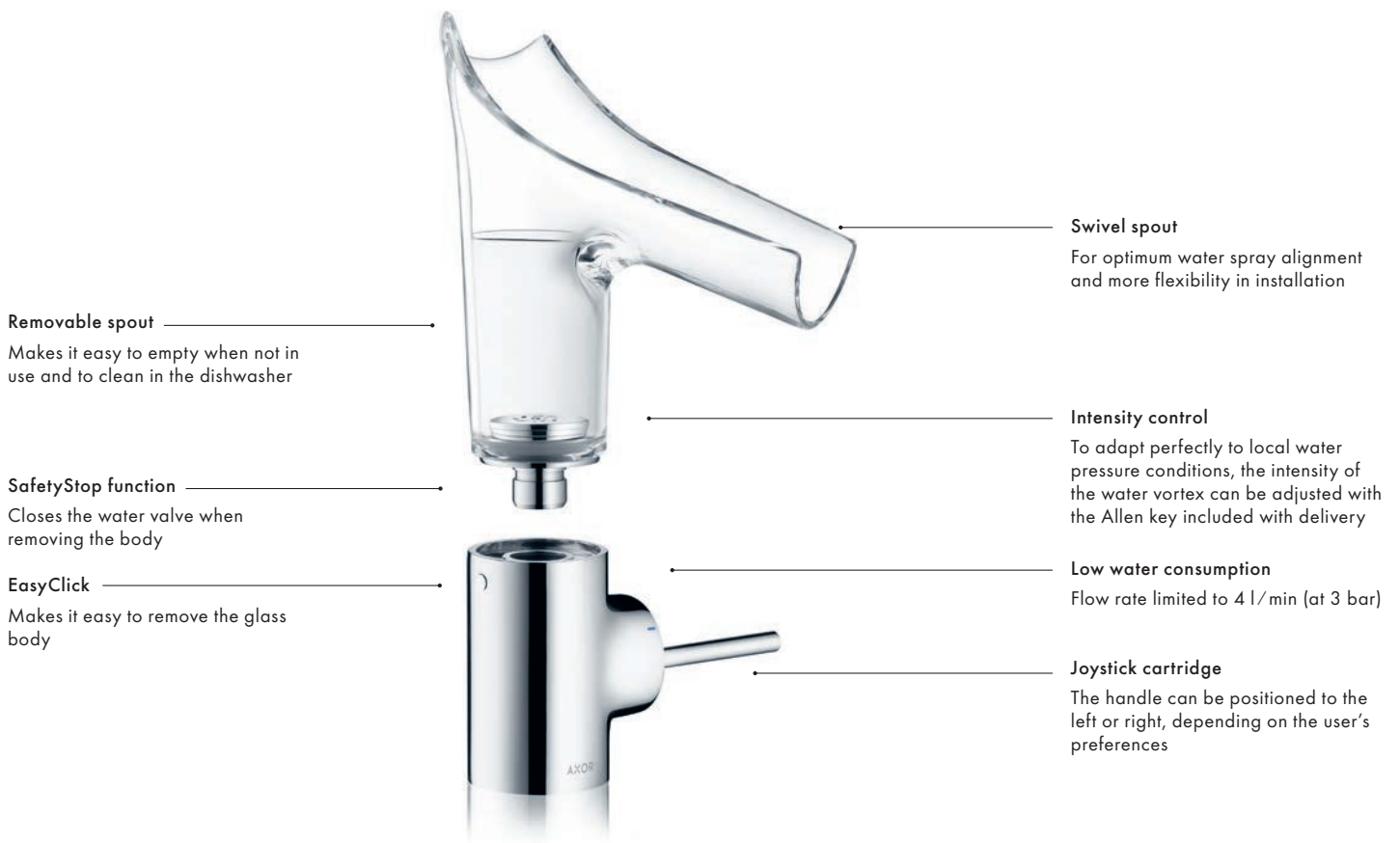
Understanding the beauty and soul of water

Unrelenting curiosity and a boundless passion for water are what motivate Klaus Grohe, son of the company's founder, Hans Grohe. He is particularly impressed by the pure energy of a vortex. He wonders how to bring this natural spectacle home, to the wash basin, and starts to develop a water vortex in a mixer. Klaus Grohe and AXOR find a partner in designer Philippe Starck, who creates a glass mixer, a kind of organic sculpture, in which this power of nature can be seen.

Water can be breath-takingly beautiful. When it forms an elegant vortex, it becomes a true natural spectacle.



In a way that, up to now, was not possible, AXOR Starck V lets us experience the elemental fascination of water. The transparent glass body enables us to see the elegance and vitality of a water vortex.



Single lever basin mixers with glass spout

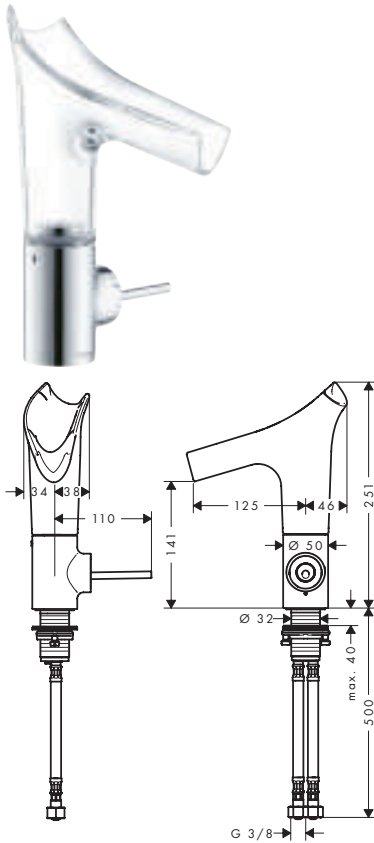
Features of all variants

/ consists of: single lever basin mixer, waste set
 / projection: 125 mm
 / handle variant: pin handle
 / swivel range adjustable in 3 steps 95°, 120° or 360°
 / spray type: laminar spray

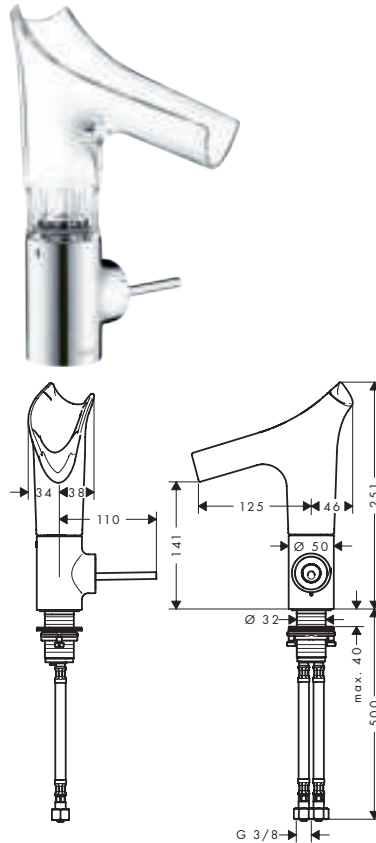
/ EasyClick connection between body and spout with SafetyStop-function
 / Spout is dishwasher safe
 / material spout: crystal glass
 / maximum flow rate at 3 bar: 4 l/min
 / ceramic cartridge
 / non-closing waste set

/ connection type: G 3/8 hose connections
 / connection dimension: DN 15
 / handle can be positioned on the right or left
 / not recommended for the public and semi-public area
 / EU taxonomy: max. 6 l/min - Substantial Contribution (SC) possible

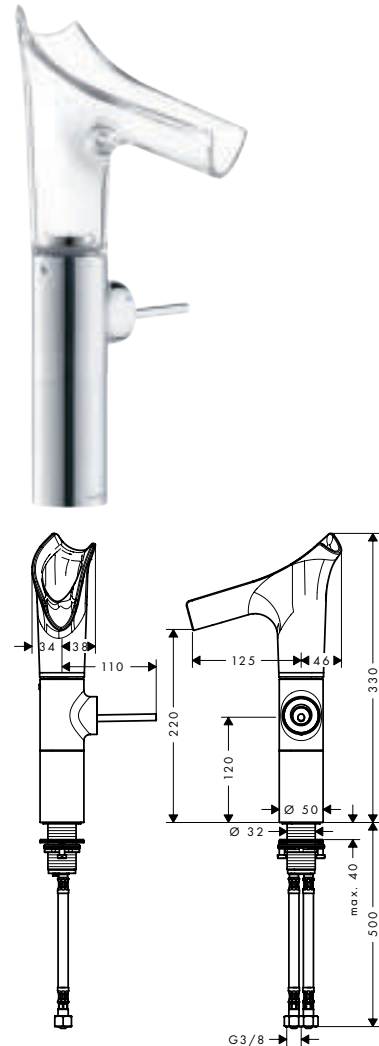
140



140 bevel cut



220



Sustainability



Technologies



Overview variants

ComfortZone	Projection (mm)	Spout height (mm)	For wash bowls	Structure element	Finish	Code no.
140	125	141	–	without structure	● Chrome 12112000 ○ White 12112450 ● AXOR FinishPlus* 12112XXX	
140	125	141	–	bevel cut	● Chrome 12123000 ● Polished Gold Optic 12123990 ● AXOR FinishPlus* 12123XXX	
220	125	220	■	without structure	● Chrome 12114000 ● AXOR FinishPlus* 12114XXX	

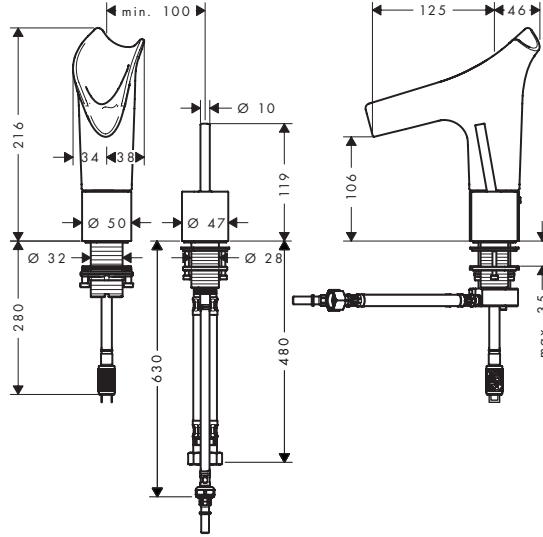
2-hole basin mixer 110 with waste set

Features

- / consists of: 2-hole basin mixer, waste set
- / ComfortZone: 110
- / projection: 125 mm
- / spout height: 106 mm
- / handle variant: pin handle
- / swivel range adjustable in 3 steps 95°, 120° or 360°
- / spray type: laminar spray

- / EasyClick connection between body and spout with SafetyStop-function
- / Spout is dishwasher safe
- / material spout: crystal glass
- / maximum flow rate at 3 bar: 4 l/min
- / ceramic cartridge
- / non-closing waste set
- / connection type: G 3/8 hose connections

- / connection dimension: DN15
- / handle can be positioned on the right or left
- / not recommended for the public and semi-public area
- / EU taxonomy: max. 6 l/min - Substantial Contribution (SC) possible



Sustainability



Technologies



Finish	Code no.
Chrome	12115000
AXOR FinishPlus*	12115XXX

Possible product combinations

Showers



AXOR One

Overhead shower 280 2jet with shower arm

#48492XXX

page 142



AXOR ShowerSolutions

Overhead shower 220 1jet EcoSmart

#35383XXX

page 480



AXOR ShowerSelect ID

Thermostat for concealed installation round for 2 functions

#36750XXX

page 553

Shower systems



AXOR Starck

Shower column with thermostat and overhead shower 240 1jet

#12672XXX

page 534



AXOR ShowerSolutions

Showerpipe with thermostat 800 and overhead shower 350 1jet

#27984XXX

page 536

Further complementary products



AXOR Universal Circular

Bath towel rail 600 mm

#42860XXX

page 613



AXOR Suite Basins & Bathtub

Wash bowl 400 without tap hole and overflow

#42001XXX

page 656



AXOR Drain

Finish set shower drain 700

#42520XXX

page 688





Basin

Bath

Thermostatic mixers

AXOR STARCK ORGANIC

DESIGN

—
PHILIPPE STARCK





“Nature loves economy. That's why the AXOR Starck Organic collection looks so reduced, yet is full of invention. It is revolutionary.”

PHILIPPE STARCK

AXOR Starck Organic

Sense and sensibility

Modeled on nature. In its beauty, efficiency and primeval essence. AXOR Starck Organic unifies design and technology into a sculptural appearance with sensuous, organic forms. Minimalist in water design and in its use of resources. As nature would have intended.

Design: Philippe Starck

Characteristic design feature:

Organic, minimalist bathroom design: The mixer, inspired by the primeval essence of nature, refers to forms such as a branch or a water droplet.

The designer's idea:

A revolutionary way of dealing with the vital element of water: AXOR Starck Organic brings ecology and economy together in one collection. In an organic, composition with a sensual water experience.

Special collection highlights:

- / Innovative control concept: Separate control of water flow and temperature
- / AXOR wash basin mixer with water consumption of just 3.5 l/min (at 3 bar)
- / Innovative shower spray for a mixer: a sensual water experience with a soft, luxuriant stream of water and low consumption
- / Intelligent use of resources with respect to energy and materials
- / AXOR Starck Organic is the fourth collection designed in cooperation with Philippe Starck
- / Distinguished with the Green Product Design Award

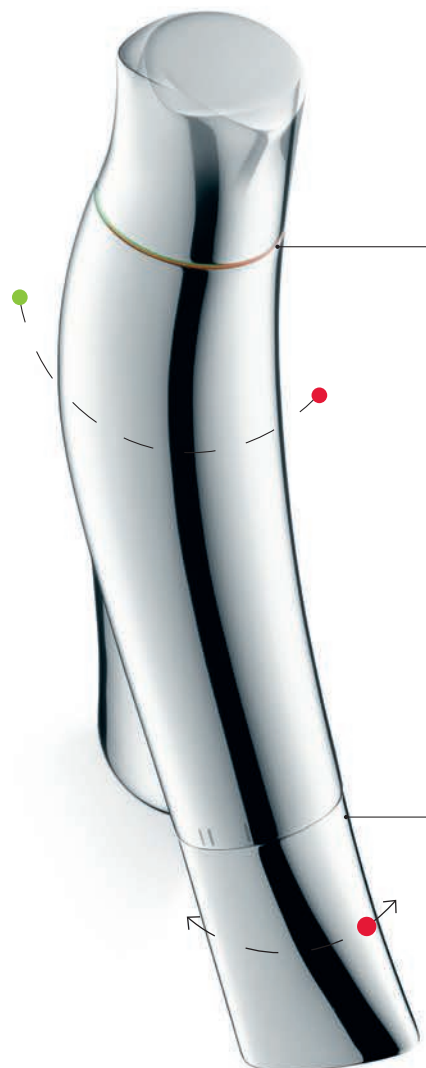
An innovative concept for conscientiously controlling water flow and temperature

The innovative, two-handle mixer from AXOR Starck Organic is the next step in the evolution in mixer control. It moves away from the classic single lever mixers with which water temperature and flow are controlled simultaneously. Instead the mixer ensures an ergonomic motion sequence with economical water use: The temperature controller, used less frequently, is positioned on the mixer head; the handle for water flow control, always in use, is in a practical position below at the water spout.

Advantages of separate controls

 °C

 on/off



Temperature control

- / Preset to a preferred temperature or an energy-saving cold setting
- / A harmonious look in any position
- / The preset prevents dripping and dirt marks because the mixer handle rarely needs to be touched
- / New vivid, easy-to-see hot and cold labeling: cold water = green (energy-saving); hot water = orange

Water flow control

- / Cleaner and more convenient, with direct operation at the spout
- / Normal position for 3.5 l/min: best functionality together with a consistent, pleasant water flow while still saving water
- / Booster position for increasing flow rate to 5 l/min
- / Gradual water flow control with snap-in positions at 3.5 l/min (Normal) and 5 l/min (Booster)





Intelligent functions set ecological and technological standards

Mixer shower spray

The innovative shower spray for the wash basin mixer sets new standards for sensuality and conservation. It generates a wonderful water flow with a pleasant feel while maintaining optimum function. With 90 small openings the spray former creates a soft, luxuriant shower spray.



Normal + Booster

Gradual water flow control up to the snap-in position for 3.5 l/min. Those who need a larger volume of water can simply switch to the Booster position (5 l/min).



Spray former

The spray former has a QuickClean function for easily removing limescale deposits. For a conventional spray jet, simply replace the spray former.



Adjustable spout

For the right-handed version, the spout is used in the ex-works position. Left-handed users can rotate the spout by 80° for perfect ergonomics. Simply unscrew the jet former with the appropriate key and reinsert the spout.



Revolutionary water experience.

Low water consumption

AXOR Starck Organic minimizes the consumption of both water, a valuable natural resource, and energy. With the temperature preset, less hot water is used. During production of the collection, resources are used sparingly: The hollow body construction of the mixer requires less material and, as a result, less.

Setting the temperature consciously

The temperature can be set individually. A maximum temperature can be set to save energy costs and prevent scalding. This is interesting primarily for mixers used in public areas and hotels as well as in households with children

Minimized material use

About one third less brass is used in the mixer walls (hollow bodies) than in conventional manufacturing

Isolated water conduction

Prevents direct water contact with the mixer body. This keeps drinking water free of lead and nickel concentrations

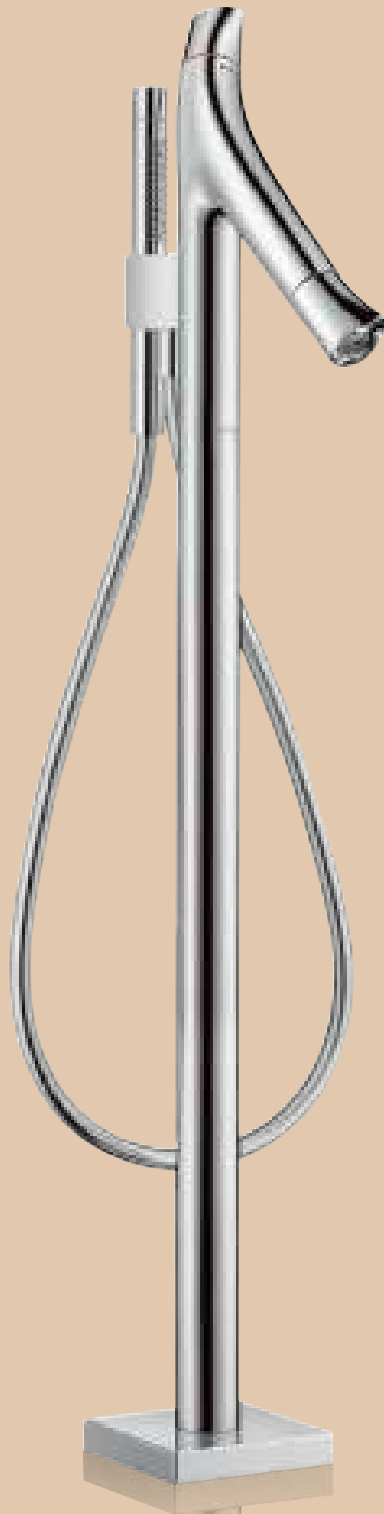


Economical water consumption

Flow rate limited to 3.5 l/min. The result is a consistent, pleasant water experience with improved functionality in comparison with our conventional mixers



Organic design all the way to the bathtub



The striking, powerful AXOR Starck Organic design is also found in the extraordinary bath mixers. The floor-standing bath filler with integrated hand shower complements the range for free-standing bathtubs.



Thanks to its organic, minimalist design, it looks great with the broadest range of bathtub shapes.

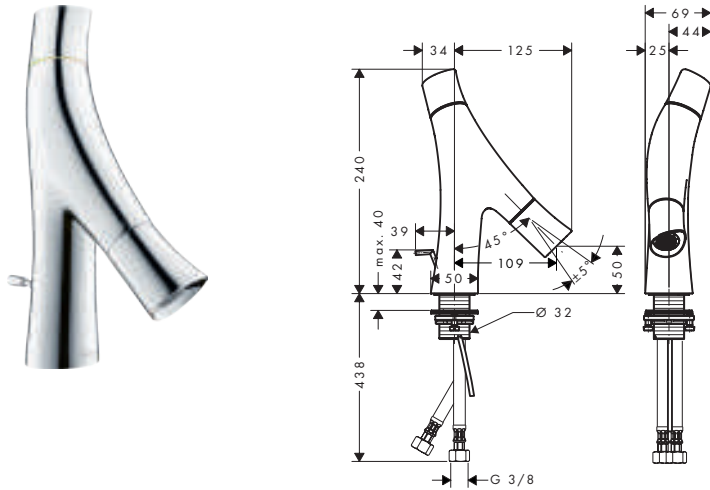
2-handle basin mixer 50 for hand wash basins with pop-up waste set

Features

- / consists of: 2-handle basin mixer, waste set
- / ComfortZone: 50
- / projection: 109 mm
- / spout height: 50 mm
- / handle variant: cylinder handle
- / spray type: shower spray
- / maximum flow rate at 3 bar: 3,4 l/min

- / flow rate booster: 5 l/min
- / ceramic cartridge for temperature control
- / ceramic valve for volume control
- / temperature limitation adjustable
- / separation of temperature and volume control
- / with isolated water conduction - without contact with nickel and lead

- / suitable for continuous flow water heaters
- / pop-up waste set G 1 1/4
- / connection type: G 3/8 hose connections
- / connection dimension: DN 15
- / EU taxonomy: max. 6 l/min - Substantial Contribution (SC) possible



Sustainability



Technologies



Finish	Code no.
Chrome	12014000
AXOR FinishPlus*	12014XXX

2-handle basin mixers

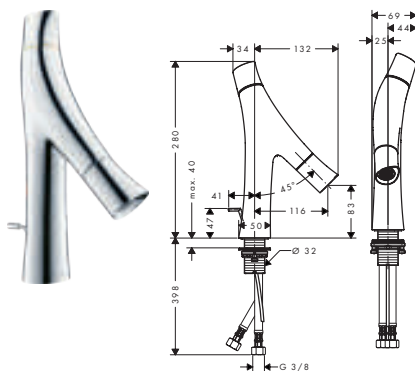
Features of all variants

- / consists of: 2-handle basin mixer, waste set
- / handle variant: cylinder handle
- / spray type: shower spray
- / maximum flow rate at 3 bar: 3,5 l/min
- / flow rate booster: 5 l/min
- / ceramic cartridge for temperature control

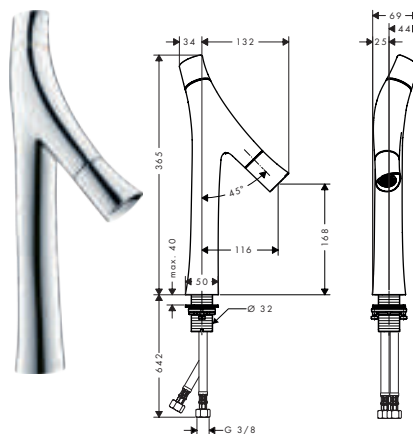
- / ceramic valve for volume control
- / temperature limitation adjustable
- / separation of temperature and volume control
- / with isolated water conduction - without contact with nickel and lead
- / suitable for continuous flow water heaters

- / connection type: G 3/8 hose connections
- / connection dimension: DN 15
- / EU taxonomy: max. 6 l/min - Substantial Contribution (SC) possible

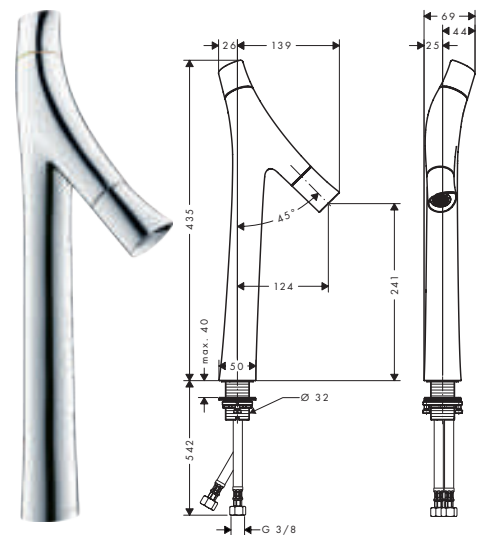
80



170



240



Sustainability



Technologies



Overview variants

ComfortZone	Projection (mm)	Spout height (mm)	Waste set	For wash bowls	Finish	Code no.
80	116	83	pop-up	–	Chrome	12010000
					AXOR FinishPlus*	12010XXX
80	116	83	non-closing	–	Chrome	12011000
					AXOR FinishPlus*	12011XXX
170	116	168	non-closing	■	Chrome	12012000
					AXOR FinishPlus*	12012XXX
240	124	241	non-closing	■	Chrome	12013000
					AXOR FinishPlus*	12013XXX

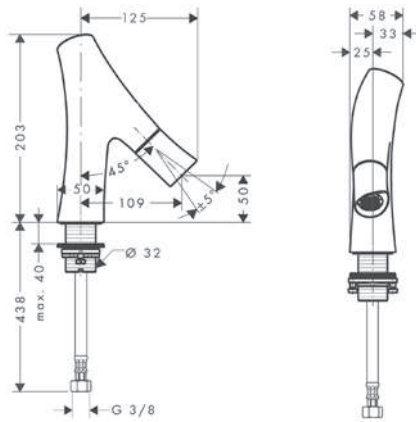
Pillar tap 50 without waste set

Features

- / ComfortZone: 50
- / projection: 109 mm
- / spout height: 50 mm
- / handle variant: cylinder handle
- / spray type: shower spray
- / maximum flow rate at 3 bar: 3,5 l/min

- / flow rate booster: 5 l/min
- / ceramic valve for volume control
- / with isolated water conduction - without contact with nickel and lead
- / suitable for continuous flow water heaters
- / for cold water connection

- / connection type: G 3/8 hose connection
- / connection dimension: DN 15
- / EU taxonomy: max. 6 l/min - Substantial Contribution (SC) possible



Sustainability



Technologies



Finish	Code no.
Chrome	12110000
AXOR FinishPlus*	12110XXX

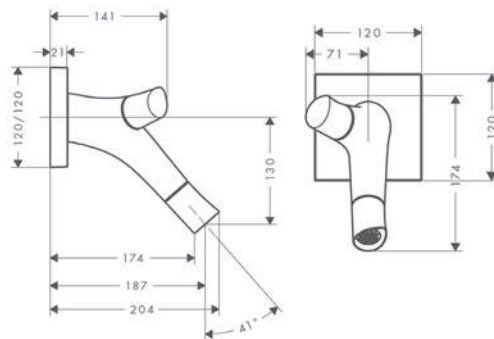
2-handle basin mixer for concealed installation wall-mounted with spout 187 mm

Features

- / consists of: 2-handle basin mixer, waste set
- / projection: 187 mm
- / handle variant: cylinder handle
- / spray type: shower spray
- / maximum flow rate at 3 bar: 3,5 l/min
- / flow rate booster: 5 l/min

- / ceramic cartridge for temperature control
- / ceramic valve for volume control
- / temperature limitation adjustable
- / separation of temperature and volume control
- / with isolated water conduction - without contact with nickel and lead

- / suitable for continuous flow water heaters
- / non-closing waste set
- / connection type: basic set
- / connection dimension: DN 15
- / EU taxonomy: max. 6 l/min - Substantial Contribution (SC) possible



Sustainability



Technologies



Finish	Code no.
Chrome	12015000
AXOR FinishPlus*	12015XXX

Required parts:



Basic set for Showerpipe/ shower column

Code no.

10902180



AXOR Starck Seal

96660000

Optional parts:



AXOR Starck Organic Extension set 28 mm for basin mixer wall-mounted

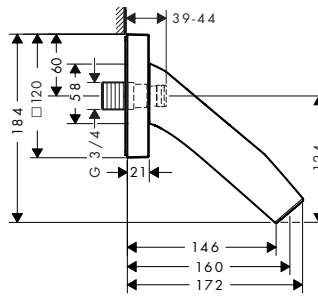
Code no.

12918000

Bath spout

Features

- / 1 function
- / projection: 160 mm
- / maximum flow rate at 3 bar: 27 l/min
- / connection dimension: device connection DN20
- / spray type: laminar spray

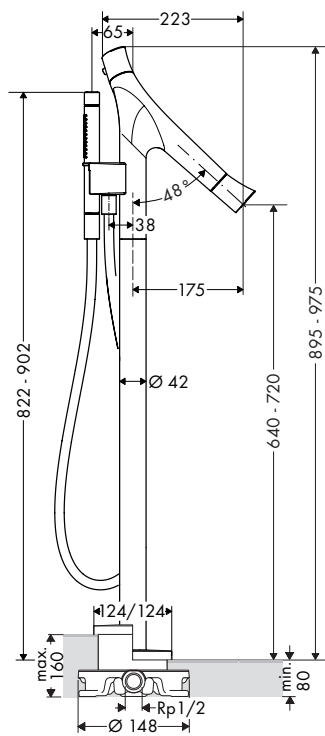


Finish	Code no.
Chrome	12417000
AXOR FinishPlus*	12417XXX

Bath thermostat floor-standing

Features

- / consists of: bath thermostat floor standing, baton
- / hand shower, shower hose, shower holder
- / projection 175 mm
- / 2 functions
- / thermostat cartridge, shut-off/ diverter valve
- / spray type mixer: normal spray
- / spray type hand shower: Rain, MonoRain
- / maximum flow rate at 3 bar: 20 l/min
- / flow rate for bath spout at 3 bar: 20 l/min
- / flow rate of hand shower at 3 bar: 15 l/min
- / min. operating pressure: 1 bar
- / max. operating pressure: 10 bar
- / Safety stop at 40 °C
- / temperature limitation adjustable
- / non-return valve
- / connection dimension: DN15
- / connection type: basic set
- / deck mounted
- / dirt filter included



Sustainability



Technologies



Spray types



Finish	Code no.
Chrome	12016000
AXOR FinishPlus*	12016XXX

Consisting of:

	Included in	Code no.
AXOR Starck Metal effect shower hose 1.25 m with cylindrical nuts	12016XXX	28282XXX

Required parts:

	Code no.
Basic set for mixers floor-standing	10452180

Optional parts:

	Code no.
Sealing foil for basic set bath mixer floor-standing	96441000
Extension 60 mm	92135000

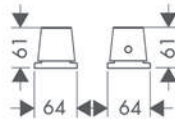
2-hole rim mounted thermostatic bath mixer

Features

/ 2 functions
/ Safety stop at 40 °C

/ temperature limitation adjustable
/ connection dimension: DN15

/ connection type: basic set
/ rim mounted



Sustainability



Technologies



Finish	Code no.
Chrome	12422000
AXOR FinishPlus*	12422XXX

Required parts:



Basic set for 2-hole rim mounted thermostatic bath mixer

Code no.

15486180

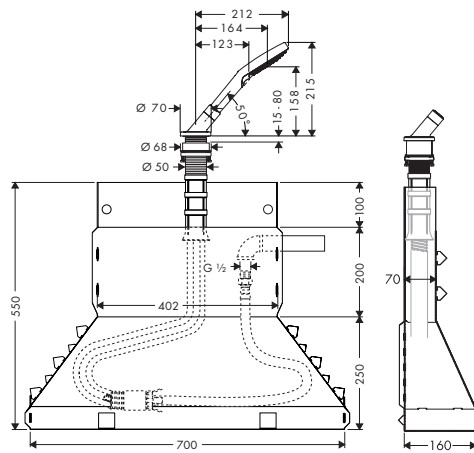
Rim mounted bath set with hand shower

Features

/ consists of: hand shower, shower holder, shower hose, Secubox, Secuflex hose brake, hose insert

/ suitable for for installation on bath rim or tile surround (no mounting plate available)
/ connection dimension: DN15

/ drilling diameter on bath tub: Ø 50 mm
/ maximum pull-out length of hand shower 1.10 m



Finish	Code no.
Chrome	19418000
Brushed Bronze	19418140
Brushed Black Chrome	19418340
Polished Gold Optic	19418990
AXOR FinishPlus*	19418XXX

Consisting of:



AXOR ShowerSolutions Hand shower 120 3jet

Included in

19418XXX

Code no.

26050XXX

Optional parts:



Secuflex insert extension

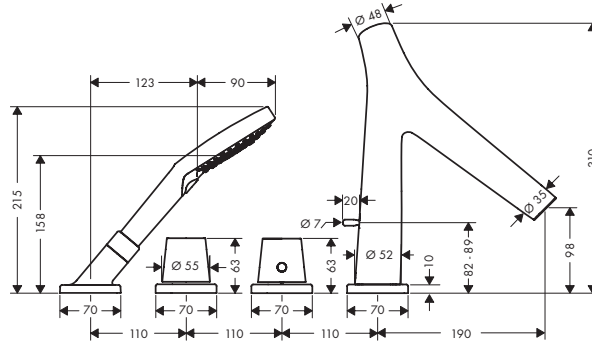
Code no.

98806000

4-hole rim mounted thermostatic bath mixer

Features

- / consists of: 4-hole rim mounted bath mixer, hand shower, shower hose, shower holder
- / projection 190 mm
- / 2 functions
- / thermostat cartridge
- / spray type mixer: laminar spray
- / spray type hand shower: Rain, RainAir, WhirlAir
- / maximum pull-out length of hand shower: 1.10 m
- / maximum flow rate at 3 bar: 18 l/min
- / flow rate for bath spout at 3 bar: 18 l/min
- / flow rate of hand shower at 3 bar: 16 l/min
- / min. operating pressure: 1 bar
- / max. operating pressure: 10 bar
- / Safety stop at 40 °C
- / temperature limitation adjustable
- / non-return valve
- / with automatic resetting
- / with silencer
- / connection dimension: DN 15
- / connection type: basic set
- / rim mounted



Sustainability



Technologies



Spray types



Finish	Code no.
Chrome	12425000
AXOR FinishPlus*	12425XXX

Consisting of:



AXOR ShowerSolutions Hand shower 120 3jet

Included in	Code no.
12425XXX	26050XXX

Required parts:



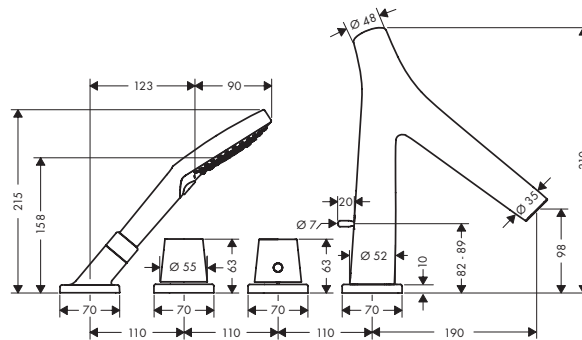
Basic set for 4-hole rim mounted thermostatic bath mixer

Code no.
15482180

4-hole tile mounted thermostatic bath mixer

Features

- / consists of: 4-hole tile mounted bath mixer, hand shower, Secuflex hose set
- / projection 190 mm
- / 2 functions
- / thermostat cartridge
- / spray type mixer: laminar spray
- / spray type hand shower: Rain, RainAir, WhirlAir
- / maximum pull-out length of hand shower: 1.10 m
- / maximum flow rate at 3 bar: 17 l/min
- / flow rate for bath spout at 3 bar: 17 l/min
- / flow rate of hand shower at 3 bar: 16 l/min
- / min. operating pressure: 1 bar
- / max. operating pressure: 10 bar
- / Safety stop at 40 °C
- / temperature limitation adjustable
- / non-return valve
- / with automatic resetting
- / with silencer
- / connection dimension: DN 15
- / connection type: basic set
- / tile mounted



Sustainability



Technologies



Spray types



Finish	Code no.
Chrome	12426000
AXOR FinishPlus*	12426XXX

Consisting of:



AXOR ShowerSolutions Hand shower 120 3jet

Included in	Code no.
12426XXX	26050XXX

4-hole tile mounted thermostatic bath mixer

Required parts:



Basic set for 4-hole tile mounted thermostatic bath mixer

Code no.

15483180

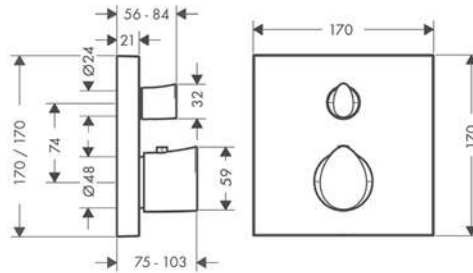
Thermostat for concealed installation with shut-off valve

Features

- / 1 function
- / thermostat cartridge, ceramic valves 90°
- / maximum flow rate at 3 bar: 25 l/min
- / min. operating pressure: 1 bar

- / max. operating pressure: 10 bar
- / Safety stop at 40 °C
- / temperature limitation adjustable
- / non-return valve

- / with silencer
- / connection type: basic set



Sustainability



Technologies



Finish	Code no.
Chrome	12715000
AXOR FinishPlus*	12715XXX

Required parts (choose one):

Option	Image	Description	Code no.
Option 1		AXOR iBox universal 2 Basic set	01400180
	+		
		Adapter plate for iBox universal 2	13588000
Option 2		AXOR iBox universal Basic set	01700180

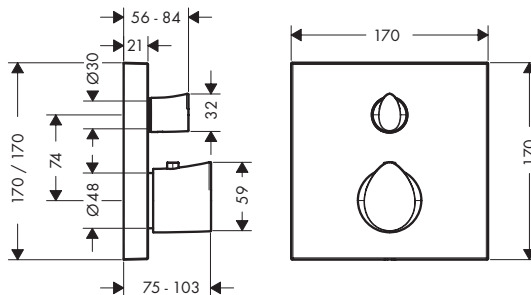
Thermostat for concealed installation with shut-off/ diverter valve

Features

- / 2 functions
- / thermostat cartridge, shut-off/ diverter valve
- / flow rate upper outlet: 25 l/min
- / flow rate lower outlet: 29 l/min

- / maximum flow rate at 3 bar: 29 l/min
- / min. operating pressure: 1 bar
- / max. operating pressure: 10 bar
- / Safety stop at 40 °C

- / temperature limitation adjustable
- / non-return valve
- / with silencer
- / connection type: basic set



Sustainability






Technologies



Finish	Code no.
Chrome	12716000
AXOR FinishPlus*	12716XXX

For more information about this product, please see the next page.

Thermostat for concealed installation with shut-off/ diverter valve

⚠ Required parts (choose one):			Code no.
Option 1		AXOR iBox universal 2 Basic set	01400180
	+		
		Adapter plate for iBox universal 2	13588000
Option 2		AXOR iBox universal Basic set	01700180

Showers



AXOR ShowerSolutions
Overhead shower 250/580 3jet

#35283XXX

page 472



AXOR One
Overhead shower 280 1jet with ceiling connection

#48493XXX

page 143

Shower controls



AXOR ShowerSelect ID
Thermostat for concealed installation square
for 2 functions

#36752XXX

page 553



AXOR ShowerSolutions
Thermostatic module Select 530/90 for concealed
installation for 3 functions

#18356XXX

page 561

Further complementary products



AXOR Universal Rectangular
Bath towel rail 600 mm

#42661XXX

page 606



AXOR Suite Basins & Bathtub
Wash bowl 400/400 without tap hole and overflow

#42003XXX

page 657



AXOR Drain
Finish set shower drain 700

#42520XXX

page 688





Basin

Bidet

Bath

Shower

Thermostatic mixers / valves / diverters

Overhead showers

Shower sets

AXOR CITTERIO

DESIGN

—

ANTONIO CITTERIO



„Those who enjoy celebrating the daily ritual of washing should do so with beautiful objects such as AXOR Citterio.“

ANTONIO CITTERIO

AXOR Citterio

A contemporary classic

AXOR Citterio is an icon of modern bathroom design. Understated yet unmistakably luxurious, with distinctive flat surfaces that brilliantly reflect the light, AXOR Citterio celebrates the preciousness of water itself. With its balanced proportions and elegant geometries, the collection is perfectly suited to any bathroom ambiance.

Design: Antonio Citterio and Toan Nguyen

Characteristic design feature:

Monumental faucet design: Geometric precision and striking, flat surfaces—from spout to handles.

The designer's idea:

Luxury at second glance: Appreciate the value of water with this special faucet and experience the element more fully.

Special collection highlights:

- / Various handle versions: modern pin handle, classic cross handle, original lever handle and new, floating lever handle
- / Rhombic cut: The new lever handle's exclusive surface pattern is a haptic and optical experience
- / The flatness of the spout is an especially striking feature of the collection
- / Extensive product range with different faucet heights, installation possibilities, versions with plate or single escutcheon
- / AXOR Citterio product history: 2003 collection launch, 2010 enhanced design, 2021 extension of the product portfolio. AXOR Citterio is the first of four AXOR collections designed in cooperation with Antonio Citterio. Today, AXOR Citterio is a classic in bathroom design.

A monument at the wash basin

The AXOR Citterio collection offers a variety of product variants: pin, cross and lever handles as well as products with cover plates and escutcheons. Various installation types and diverse spout lengths and faucet heights cover nearly every installation situation. In its geometric precision and monumentality, AXOR Citterio conveys the spirit of Italian neoclassical architecture. The comprehensive product range for wash basin, shower and bathtub enables endless individual solutions, all within a consistent design language.



**Striking pin handle:**

- / Iconic handle with modern, technological enhanced joystick cartridge
- / The striking design creates a deeper awareness and appreciation of water

**New lever handle:**

- / „Floating“ form continues the architectonic design language
- / Even more ergonomic, intuitive and easy to use
- / Offers precise control of water temperature and volume
- / Optional available with exclusive „rhombic cut“

**Classic cross handles:**

- / Timeless design, proven functionality and familiar mechanical operation
- / Underscore the classic air of the three-hole mixer version and offer direct and separate control of hot and cold water
- / Available with escutcheons or plate

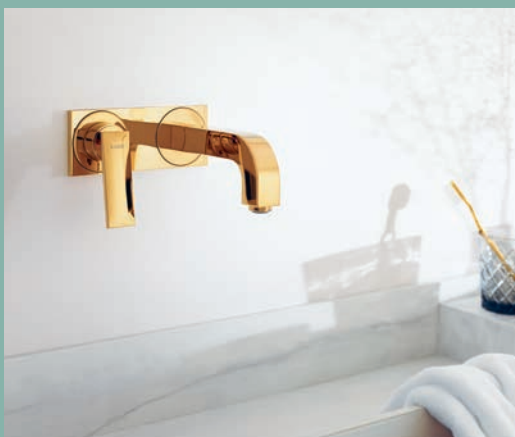


Single lever basin mixer 190 with pin handle and pop-up waste set in Brushed Gold Optic.

A variety of products with perfect form



Single lever basin mixer for concealed installation, wall-mounted, with flat lever handle, spout 220 mm and cover plate in Polished Gold Optic.



Three-hole basin mixer for concealed installation, wall-mounted, with spout 162 mm, lever handles and escutcheons in Polished Black Chrome.



Single-hole lavatory faucet 160 with pin handle
in Brushed Nickel.

At the bathtub: a special radiance

The traditional, wall-mounted bathtub mixer with classic cross handles underscores the monumental design. The geometric precision and striking flatness of the products for the wash basin and shower is carried over to the bathtub.

Hot/cold inscriptions

- / The laser inscriptions underscore the high-quality look

Easy to switch outlets

- / Switch from bathtub spout to hand shower simply by pulling the diverter

Traditional design

- / Classic cross handles for the traditional bathtub mixer for wall installation. Also available with lever handles



Hand shower 120 3jet (# 26050000)

- / Included in scope of delivery
- / Spray modes: Rain, RainAir and WhirlAir
- / Including shower hose 1.25 m (# 28622000)





Single lever basin mixers for hand washbasins

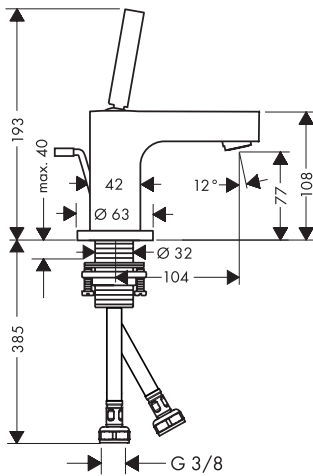
Features of all variants

/ consists of: single lever basin mixer, waste set
 / maximum flow rate at 3 bar: 5 l/min
 / ceramic cartridge

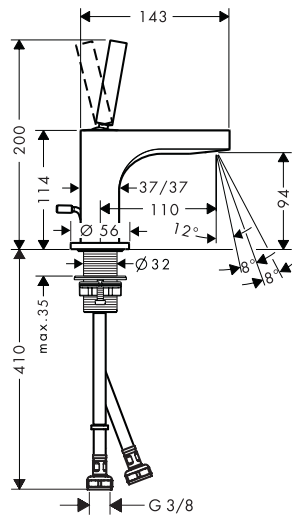
/ suitable for continuous flow water heaters
 / pop-up waste set G 1 1/4
 / connection type: G 3/8 hose connections

/ connection dimension: DN15
 / EU taxonomy: max. 6 l/min - Substantial Contribution (SC) possible

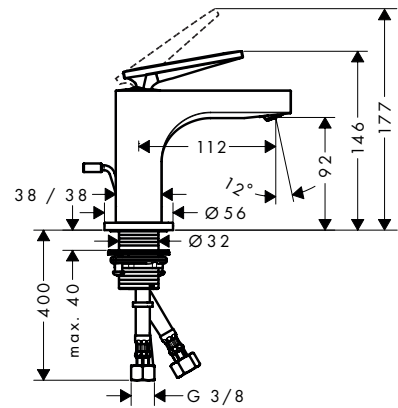
80



90



90



Sustainability



Technologies



Overview variants

ComfortZone	Projection (mm)	Spout height (mm)	Spray types	Handle version	Structure element	Finish	Code no.
80	104	77	normal spray	pin	without structure	Chrome	39015000
						Brushed Black Chrome	39015340
						AXOR FinishPlus*	39015XXX
90	112	92	laminar spray	pin	without structure	Chrome	39035000
						Brushed Black Chrome	39035340
						AXOR FinishPlus*	39035XXX
90	112	92	laminar spray	lever	without structure	Chrome	39022000
						Brushed Black Chrome	39022340
						AXOR FinishPlus*	39022XXX
90	112	92	laminar spray	lever	rhombic cut	Chrome	39001000
						Stainless Steel Optic	39001800
						Brushed Black Chrome	39001340
						AXOR FinishPlus*	39001XXX

Single lever basin mixers with pin handle

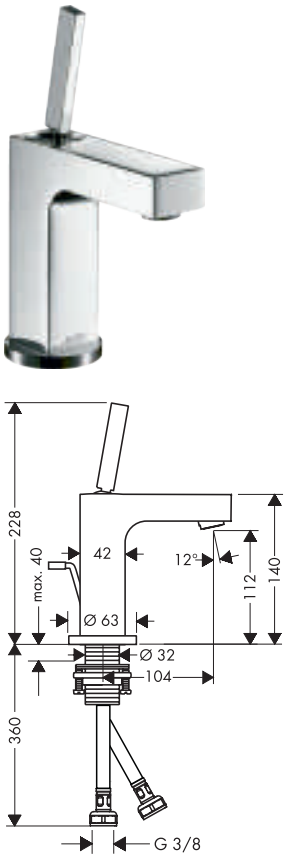
Features of all variants

/ consists of: single lever basin mixer, waste set
 / handle variant: pin handle
 / maximum flow rate at 3 bar: 5 l/min

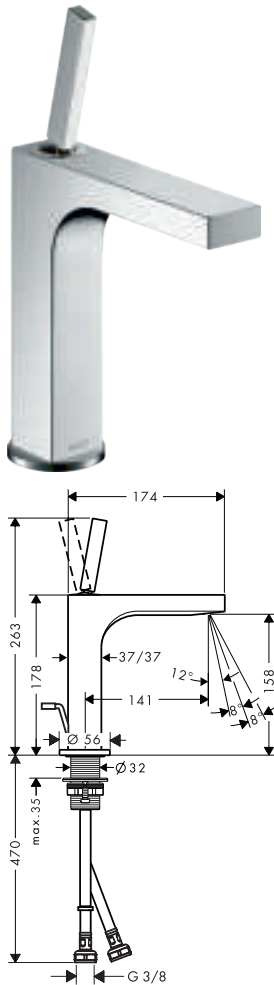
/ ceramic cartridge
 / suitable for continuous flow water heaters
 / connection type: G 3/8 hose connections

/ connection dimension: DN15
 / EU taxonomy: max. 6 l/min - Substantial Contribution (SC) possible

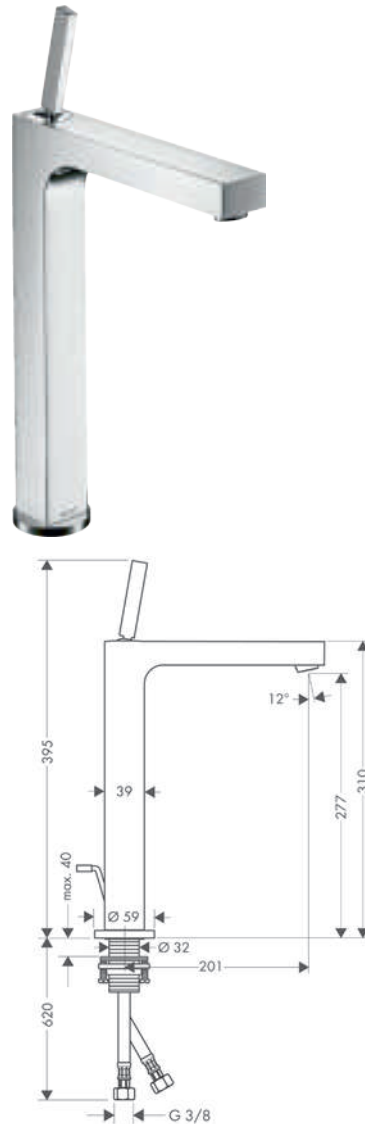
110



160



280



Sustainability



Technologies



Overview variants

ComfortZone	Projection (mm)	Spout height (mm)	Spray types	Waste set	For wash bowls	Finish	Code no.
110	104	112	normal spray	pop-up	-	<ul style="list-style-type: none"> Chrome 39010000 Brushed Black Chrome 39010340 AXOR FinishPlus* 39010XXX 	
110	104	112	normal spray	non-closing	-	<ul style="list-style-type: none"> Chrome 39018000 Brushed Black Chrome 39018340 AXOR FinishPlus* 39018XXX 	
160	141	158	laminar spray	pop-up	-	<ul style="list-style-type: none"> Chrome 39031000 Brushed Black Chrome 39031340 AXOR FinishPlus* 39031XXX 	
160	141	158	laminar spray	non-closing	-	<ul style="list-style-type: none"> Chrome 39032000 Brushed Black Chrome 39032340 AXOR FinishPlus* 39032XXX 	
280	201	277	normal spray	pop-up	■	<ul style="list-style-type: none"> Chrome 39020000 Brushed Black Chrome 39020340 AXOR FinishPlus* 39020XXX 	

* AXOR FinishPlus: For further AXOR FinishPlus surfaces please see the AXOR FinishPlus overview on page 33.

Single lever basin mixers with lever handle

Features of all variants

/ consists of: single lever basin mixer, waste set
 / handle variant: lever handle
 / maximum flow rate at 3 bar: 5 l/min

/ ceramic cartridge
 / suitable for continuous flow water heaters
 / connection type: G 3/8 hose connections

/ connection dimension: DN15
 / EU taxonomy: max. 6 l/min - Substantial Contribution (SC) possible

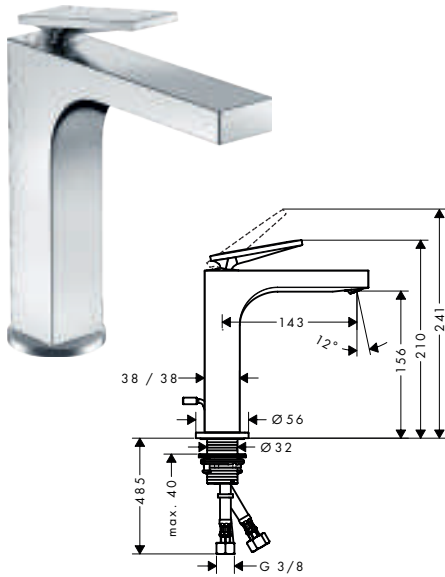
Sustainability



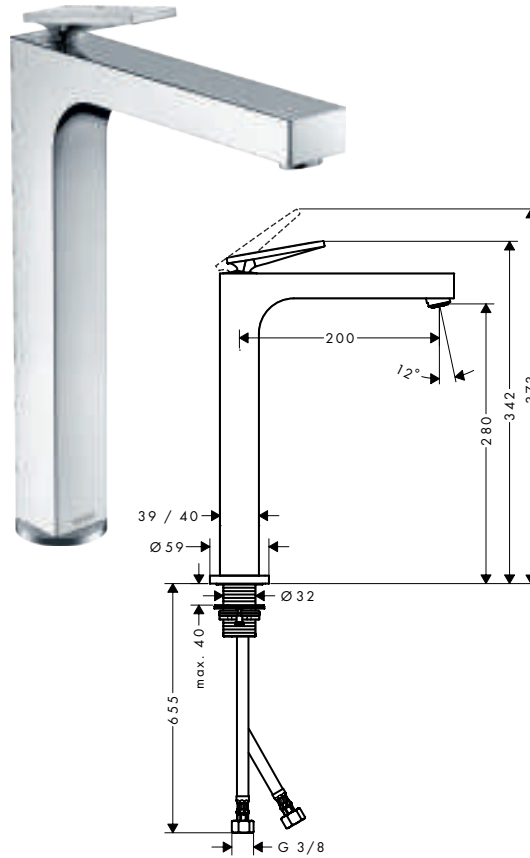
Technologies



160



280 rhombic cut



Overview variants

ComfortZone	Projection (mm)	Spout height (mm)	Spray types	Waste set	For wash bowls	Structure element	Finish	Code no.
160	143	156	laminar spray	pop-up	-	without structure	Chrome	39023000
							Brushed Black Chrome	39023340
							AXOR FinishPlus*	39023XXX
160	143	156	laminar spray	non-closing	-	without structure	Chrome	39024000
							Brushed Black Chrome	39024340
							AXOR FinishPlus*	39024XXX
160	143	156	laminar spray	pop-up	-	rhombic cut	Chrome	39071000
							Brushed Black Chrome	39071340
							AXOR FinishPlus*	39071XXX
160	143	156	laminar spray	non-closing	-	rhombic cut	Chrome	39081000
							Brushed Black Chrome	39081340
							AXOR FinishPlus*	39081XXX
280	200	280	normal spray	non-closing	■	without structure	Chrome	39021000
							Brushed Black Chrome	39021340
							AXOR FinishPlus*	39021XXX
280	200	280	normal spray	non-closing	■	rhombic cut	Chrome	39151000
							Brushed Black Chrome	39151340
							AXOR FinishPlus*	39151XXX

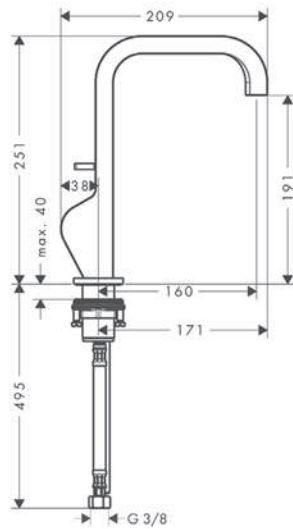
Single lever basin mixers

Features of all variants

/ consists of: single lever basin mixer, waste set
 / ComfortZone: 190
 / projection: 160 mm
 / spout height: 191 mm
 / handle variant: pin handle

/ spray type: normal spray
 / maximum flow rate at 3 bar: 5 l/min
 / ceramic cartridge
 / suitable for continuous flow water heaters
 / connection type: G 3/8 hose connections

/ connection dimension: DN15
 / handle position on the side: bottom-side at the base body (not suitable for wash bowls)
 / EU taxonomy: max. 6 l/min - Substantial Contribution (SC) possible



Sustainability



Technologies



Overview variants

ComfortZone	Projection (mm)	Spout height (mm)	Waste set	Finish	Code no.
190	160	191	pop-up	Chrome Brushed Black Chrome AXOR FinishPlus*	39034000 39034340 39034XXX
190	160	191	non-closing	Chrome AXOR FinishPlus*	39037000 39037XXX

i 39037XXX This product is not available in the AXOR FinishPlus surfaces Polished and Brushed Black Chrome.

Single lever basin mixers for concealed installation wall-mounted with plate

Features of all variants

/ consists of: single lever basin mixer for concealed installation wall-mounted, waste set
 / spray type: normal spray
 / maximum flow rate at 3 bar: 5 l/min
 / ceramic cartridge

/ suitable for continuous flow water heaters
 / non-closing waste set
 / connection type: basic set
 / connection dimension: DN 15

/ handle can be positioned on the right or left, depending on the basic set installation
 / EU taxonomy: max. 6 l/min - Substantial Contribution (SC) possible

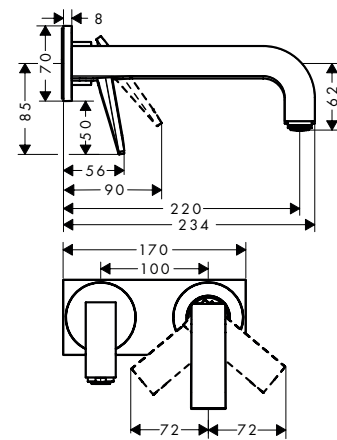
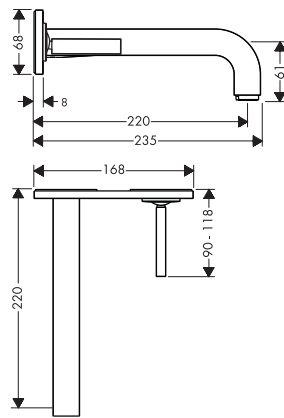
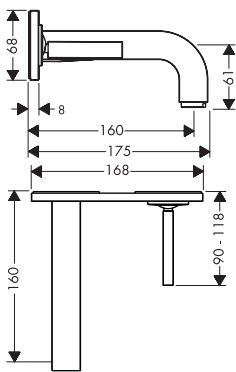
160



220



220 rhombic cut



Sustainability



Technologies



Overview variants

Projection (mm)	Handle version	Structure element	Finish	Code no.
160	pin	without structure	Chrome	39112000
			Brushed Black Chrome	39112340
			AXOR FinishPlus*	39112XXX
220	pin	without structure	Chrome	39115000
			Brushed Black Chrome	39115340
			AXOR FinishPlus*	39115XXX
220	lever	without structure	Chrome	39119000
			Brushed Black Chrome	39119340
			AXOR FinishPlus*	39119XXX
220	lever	rhombic cut	Chrome	39171000
			Brushed Black Chrome	39171340
			AXOR FinishPlus*	39171XXX

Required parts:



Basic set for single lever basin mixer for concealed installation wall-mounted

Code no.

13623180

Optional parts:



Extension set 25 mm for single lever basin mixer wall-mounted

Code no.

13586000

Single lever basin mixers for concealed installation wall-mounted with escutcheons

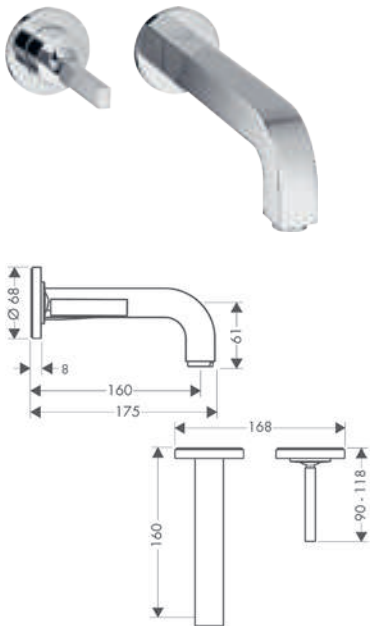
Features of all variants

/ consists of: single lever basin mixer for concealed installation wall-mounted, waste set
 / spray type: normal spray
 / maximum flow rate at 3 bar: 5 l/min
 / ceramic cartridge

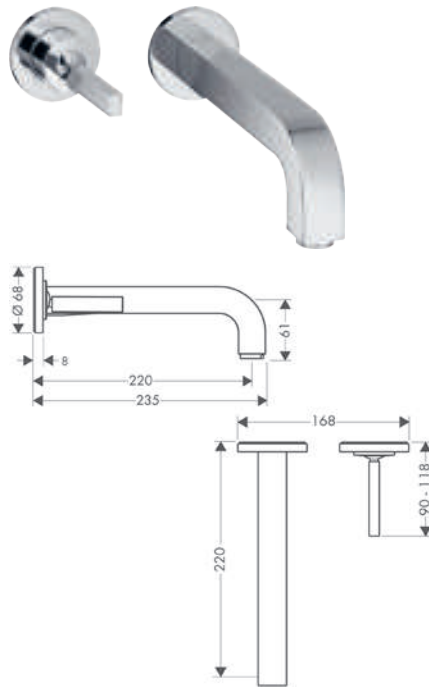
/ suitable for continuous flow water heaters
 / non-closing waste set
 / connection type: basic set
 / connection dimension: DN15

/ handle can be positioned on the right or left, depending on the basic set installation
 / EU taxonomy: max. 6 l/min - Substantial Contribution (SC) possible

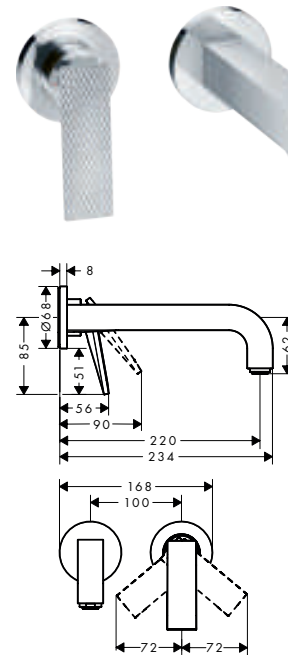
160



220



220 rhombic cut



Sustainability



Technologies



Overview variants

Projection (mm)	Handle version	Structure element	Finish	Code no.
160	pin	without structure	Chrome	39113000
			Brushed Black Chrome	39113340
			AXOR FinishPlus*	39113XXX
220	pin	without structure	Chrome	39116000
			Brushed Black Chrome	39116340
			AXOR FinishPlus*	39116XXX
220	lever	without structure	Chrome	39121000
			Brushed Black Chrome	39121340
			AXOR FinishPlus*	39121XXX
220	lever	rhombic cut	Chrome	39181000
			Brushed Black Chrome	39181340
			AXOR FinishPlus*	39181XXX

⚠ Required parts:



Basic set for single lever basin mixer for concealed installation wall-mounted

Code no.

13623180

Optional parts:



Extension set 25 mm for single lever basin mixer wall-mounted

Code no.

13586000

* AXOR FinishPlus: For further AXOR FinishPlus surfaces please see the AXOR FinishPlus overview on page 33.

3-hole basin mixers with plate

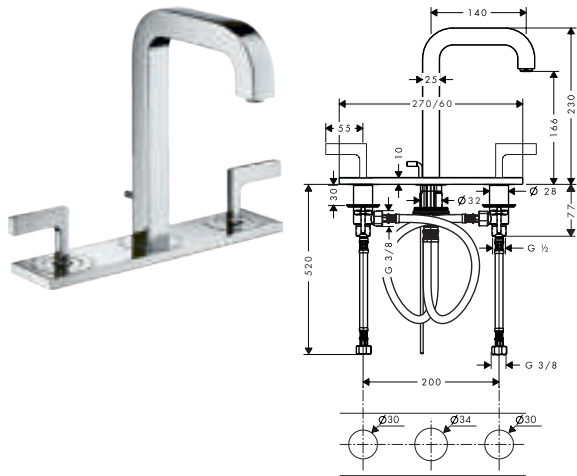
Features of all variants

/ consists of: 3-hole basin mixer, waste set
 / ComfortZone: 170
 / projection: 140 mm
 / spout height: 166 mm
 / spray type: normal spray

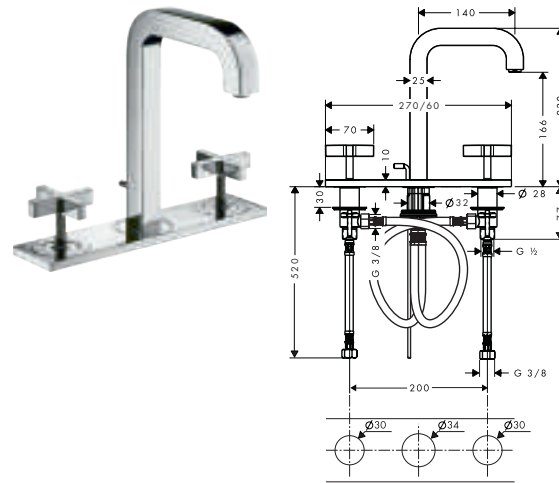
/ maximum flow rate at 3 bar: 5 l/min
 / suitable for continuous flow water heaters
 / pop-up waste set G 1 1/4
 / connection type: G 3/8 hose connections
 / connection dimension: DN15

/ for use only at flat, plain surfaces
 / EU taxonomy: max. 6 l/min - Substantial Contribution (SC) possible

lever handle



cross handle



Sustainability



Technologies



Overview variants

ComfortZone	Projection (mm)	Spout height (mm)	Handle version	Finish	Code no.
170	140	166	lever	Chrome	39136000
				Brushed Black Chrome	39136340
				AXOR FinishPlus*	39136XXX
170	140	166	cross	Chrome	39134000
				Brushed Black Chrome	39134340
				AXOR FinishPlus*	39134XXX

Optional parts:



Hose extension set for 3-hole basin mixer

Code no.

38959000

3-hole basin mixers with escutcheons

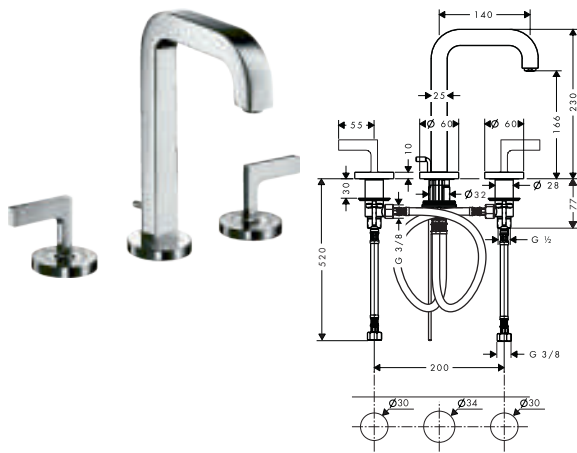
Features of all variants

/ consists of: 3-hole basin mixer, waste set
 / ComfortZone: 170
 / projection: 140 mm
 / spout height: 166 mm

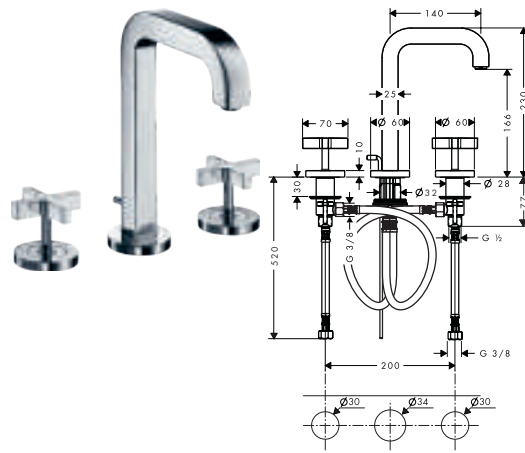
/ spray type: normal spray
 / maximum flow rate at 3 bar: 5 l/min
 / suitable for continuous flow water heaters
 / pop-up waste set G 1 1/4

/ connection type: G 3/8 hose connections
 / connection dimension: DN15
 / EU taxonomy: max. 6 l/min - Substantial Contribution (SC) possible

lever handle



cross handle



Sustainability



Technologies



3-hole basin mixers with escutcheons

Overview variants

ComfortZone	Projection (mm)	Spout height (mm)	Handle version	Finish	Code no.
170	140	166	lever	Chrome	39135000
				Brushed Black Chrome	39135340
				AXOR FinishPlus*	39135XXX
170	140	166	cross	Chrome	39133000
				Brushed Black Chrome	39133340
				AXOR FinishPlus*	39133XXX

Optional parts:

	Code no.
 Hose extension set for 3-hole basin mixer	38959000

3-hole basin mixers for concealed installation wall-mounted with plate

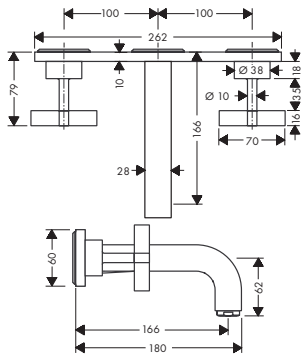
Features of all variants

/ consists of: 3-hole basin mixer for concealed installation wall-mounted, waste set
 / spray type: normal spray
 / maximum flow rate at 3 bar: 5 l/min

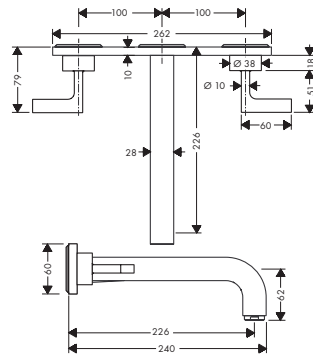
/ suitable for continuous flow water heaters
 / non-closing waste set
 / connection type: basic set
 / connection dimension: DN15

/ EU taxonomy: max. 6 l/min - Substantial Contribution (SC) possible

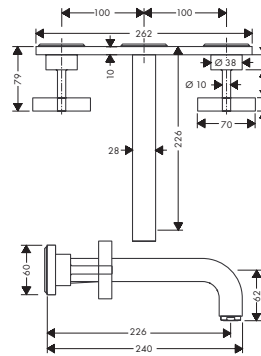
166 with cross handles



226 with lever handles



226 with cross handles



Sustainability



Technologies






Overview variants

Projection (mm)	Handle version	Finish	Code no.
166	cross	Chrome	39314000
		Brushed Black Chrome	39314340
		AXOR FinishPlus*	39314XXX
226	lever	Chrome	39148000
		Brushed Black Chrome	39148340
		AXOR FinishPlus*	39148XXX
226	cross	Chrome	39144000
		Brushed Black Chrome	39144340
		AXOR FinishPlus*	39144XXX

For more information about this product, please see the next page.

* AXOR FinishPlus: For further AXOR FinishPlus surfaces please see the AXOR FinishPlus overview on page 33.

3-hole basin mixers for concealed installation wall-mounted with plate

Required parts:		Code no.
	Basic set for 3-hole basin mixer for concealed installation wall-mounted	10303180
Optional parts:		Code no.
	Seal	96383000
	AXOR Starck Extension set 25 mm for basic set for 3-hole basin mixer wall-mounted	96259000

3-hole basin mixers for concealed installation wall-mounted with escutcheons

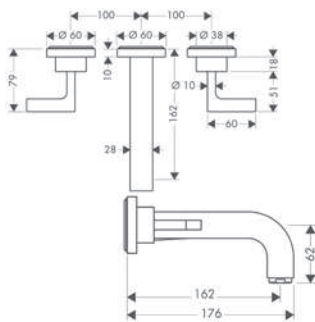
Features of all variants

/ consists of: 3-hole basin mixer for concealed installation wall-mounted, waste set
 / spray type: normal spray
 / maximum flow rate at 3 bar: 5 l/min

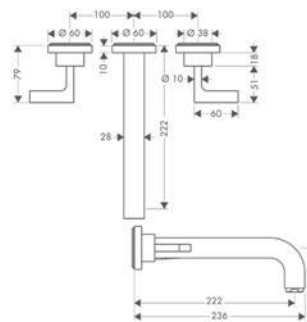
/ suitable for continuous flow water heaters
 / non-closing waste set
 / connection type: basic set
 / connection dimension: DN 15

/ EU taxonomy: max. 6 l/min - Substantial Contribution (SC) possible

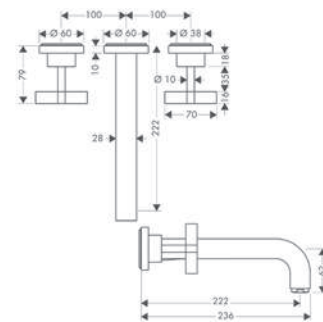
162 with lever handles



222 with lever handles



222 with cross handles



Sustainability




Technologies



Overview variants

Projection (mm)	Handle version	Finish	Code no.
162	lever	Chrome	39315000
		Brushed Black Chrome	39315340
		AXOR FinishPlus*	39315XXX
162	cross	Chrome	39313000
		Brushed Black Chrome	39313340
		AXOR FinishPlus*	39313XXX
222	lever	Chrome	39147000
		Brushed Black Chrome	39147340
		AXOR FinishPlus*	39147XXX
222	cross	Chrome	39143000
		Brushed Black Chrome	39143340
		AXOR FinishPlus*	39143XXX

Required parts:		Code no.
	Basic set for 3-hole basin mixer for concealed installation wall-mounted	10303180

3-hole basin mixers for concealed installation wall-mounted with escutcheons

Optional parts:



Seal

Code no.

96383000



AXOR Starck Extension set 25 mm for basic set for 3-hole basin mixer wall-mounted

96259000

Single lever bidet mixers

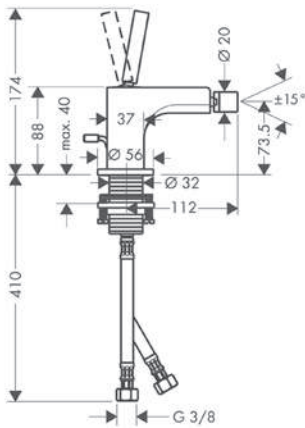
Features of all variants

/ consists of: single lever bidet mixer, waste set
/ aerator with ball pivot
/ spray type: laminar spray

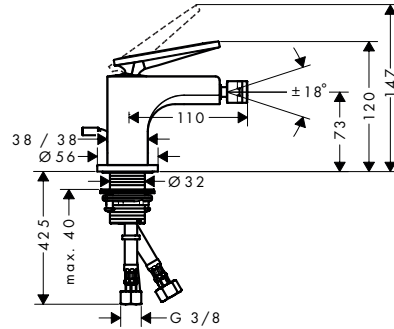
/ maximum flow rate at 3 bar: 7,2 l/min
/ ceramic cartridge
/ suitable for continuous flow water heaters

/ pop-up waste set G 1 1/4
/ connection type: G 3/8 hose connections
/ connection dimension: DN15

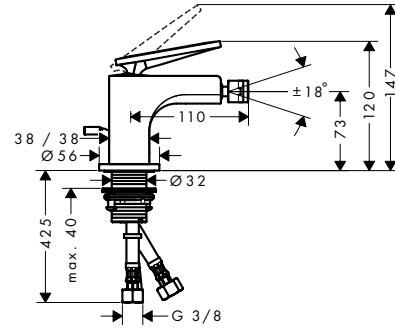
pin handle



lever handle



rhombic cut



Overview variants

Projection (mm)	Spout height (mm)	Handle version	Structure element	Finish	Code no.
112	74	pin	without structure	Chrome	39210000
				Brushed Black Chrome	39210340
				AXOR FinishPlus*	39210XXX
110	73	lever	without structure	Chrome	39214000
				Brushed Black Chrome	39214340
				AXOR FinishPlus*	39214XXX
112	73	lever	rhombic cut	Chrome	39201000
				Stainless Steel Optic	39201800
				Brushed Black Chrome	39201340
				AXOR FinishPlus*	39201XXX

* AXOR FinishPlus: For further AXOR FinishPlus surfaces please see the AXOR FinishPlus overview on page 33.

Single lever bath mixers floor-standing

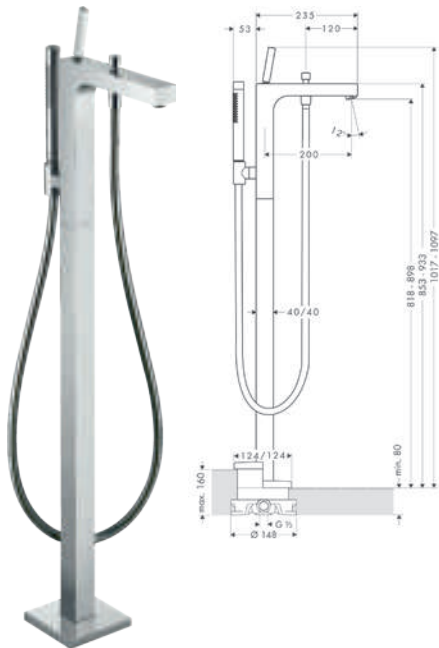
Features of all variants

/ consists of: single lever bath mixer floor standing, baton hand shower, shower holder, shower hose
 / 2 functions
 / projection: 200 mm
 / spray type mixer: normal spray

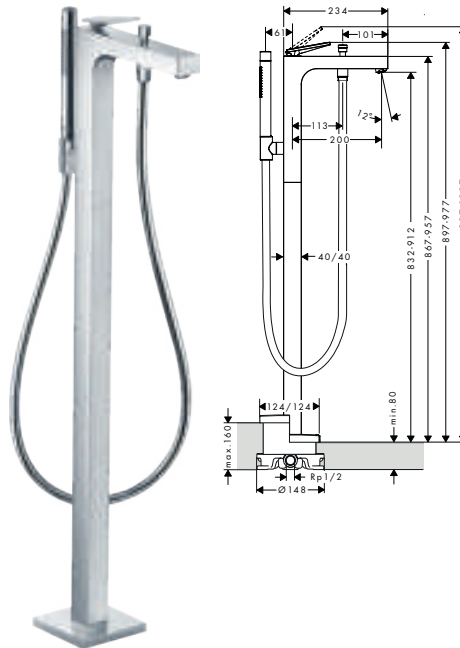
/ spray type hand shower: Rain, MonoRain
 / diverter with automatic resetting
 / protected against backflow, according to DIN EN 1717
 / connection dimension: DN15

/ connection type: basic set
 / deck mounted
 / min. operating pressure: 1 bar
 / max. operating pressure: 10 bar

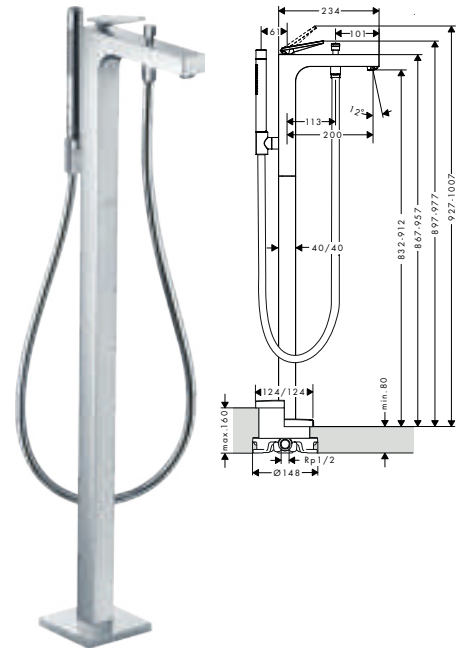
pin handle



lever handle



rhombic cut



Technologies



Spray types



Overview variants

Projection (mm)	Handle version	Structure element	Max. flow rate at 3 bar (l/min)	Finish	Code no.
200	pin	without structure	22	Chrome	39451000
				Brushed Black Chrome	39451340
				AXOR FinishPlus*	39451XXX
200	lever	without structure	20	Chrome	39440000
				Brushed Black Chrome	39440340
				AXOR FinishPlus*	39440XXX
200	lever	rhombic cut	20	Chrome	39471000
				Brushed Black Chrome	39471340
				AXOR FinishPlus*	39471XXX


Consisting of:

		Included in	Code no.
	AXOR Starck Metal effect shower hose 1.25 m with cylindrical nuts	39451XXX 39440XXX 39471XXX	28282XXX
	AXOR Starck Baton hand shower 2jet	39451XXX 39440XXX 39471XXX	28532XXX

Required parts:

		Code no.
	Basic set for mixers floor-standing	10452180

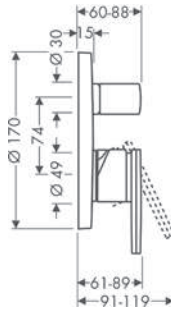
Single lever bath mixers floor-standing

Optional parts:		Code no.
	Sealing foil for basic set bath mixer floor-standing	96441000
	AXOR Starck Extension 60 mm for pipe	97686000







Single lever bath mixers for concealed installation




Features of all variants

- / 2 functions
- / ceramic cartridge
- / temperature limitation adjustable
- / diverter with automatic resetting
- / with silencer
- / suitable for continuous flow water heaters
- / connection type: basic set
- / wall-mounted
- / min. operating pressure: 1 bar
- / max. operating pressure: 10 bar



Overview variants

Security combination EN 1717	Max. flow rate at 3 bar (l/min)	Finish	Code no.
-	29	 Chrome	39455000
		 Brushed Black Chrome	39455340
		 AXOR FinishPlus*	39455XXX
■	25	 Chrome	39457000
		 Brushed Black Chrome	39457340
		 AXOR FinishPlus*	39457XXX

⚠ Required parts (choose one):			Code no.
Option 1		AXOR iBox universal 2 Basic set	01400180
	+		13588000
Option 2		AXOR iBox universal Basic set	01700180

* AXOR FinishPlus: For further AXOR FinishPlus surfaces please see the AXOR FinishPlus overview on page 33.

3-hole bath mixers for concealed installation for wall mounting with plate

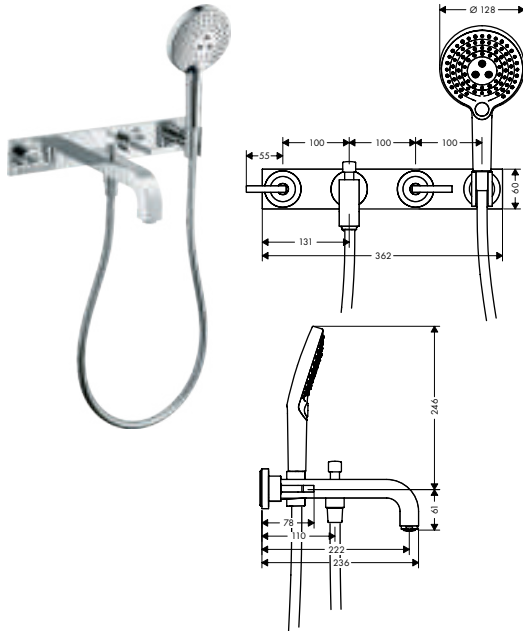
Features of all variants

/ consists of: 3-hole bath mixer, hand shower, shower holder, shower hose
 / 2 functions
 / projection: 222 mm
 / spray type mixer: normal spray
 / spray type hand shower: Rain, RainAir, WhirlAir

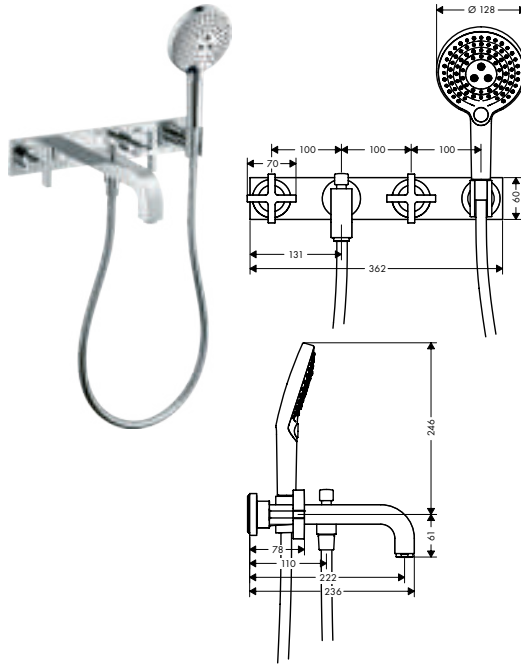
/ maximum flow rate at 3 bar: 22,5 l/min
 / flow rate for bath spout at 3 bar: 22,5 l/min
 / flow rate of hand shower at 3 bar: 20 l/min
 / ceramic valves hot/cold 90°
 / diverter with automatic resetting
 / non-return valve

/ connection dimension: DN15
 / connection type: basic set
 / wall-mounted
 / min. operating pressure: 1 bar
 / max. operating pressure: 10 bar
 / no additional maintenance opening required

lever handle



cross handle



Technologies



Spray types



Overview variants

Projection (mm)	Handle version	Finish	Code no.
222	lever	Chrome	39442000
		Brushed Black Chrome	39442340
222	cross	AXOR FinishPlus*	39442XXX
		Chrome	39441000
		Brushed Black Chrome	39441340
		AXOR FinishPlus*	39441XXX

Consisting of:

		Included in	Code no.
	AXOR ShowerSolutions Hand shower 120 3jet	39442XXX 39441XXX	26050XXX
	Metal effect shower hose 1.25 m with conical nuts	39442XXX 39441XXX	28622XXX
	AXOR Citterio Shower holder round	39442XXX 39441XXX	39525XXX

Required parts:

		Code no.
	Basic set for 3-hole basin mixer for concealed installation wall-mounted	10303180

Optional parts:

		Code no.
	Seal	96383000
	AXOR Starck Extension set 25 mm for basic set for 3-hole basin mixer wall-mounted	96259000

3-hole bath mixers for concealed installation for wall mounting with escutcheons

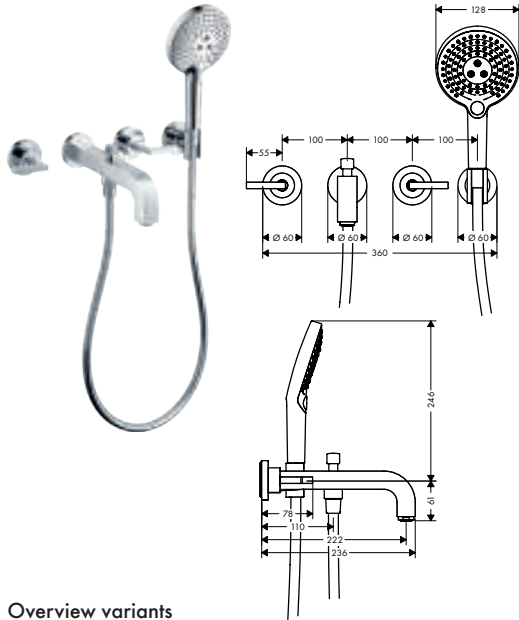
Features of all variants

/ consists of: 3-hole bath mixer, hand shower, shower holder, shower hose
 / 2 functions
 / projection: 222 mm
 / spray type mixer: normal spray
 / maximum flow rate at 3 bar: 22,5 l/min

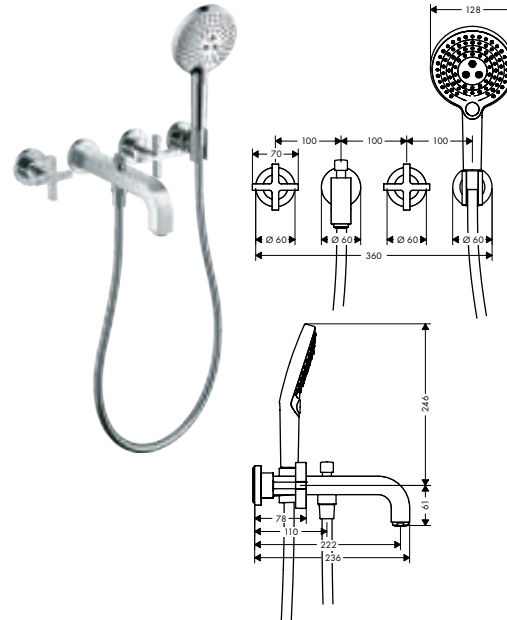
/ flow rate for bath spout at 3 bar: 22,5 l/min
 / flow rate of hand shower at 3 bar: 20 l/min
 / ceramic valves hot/cold 90°
 / diverter with automatic resetting
 / connection dimension: DN15
 / connection type: basic set

/ wall-mounted
 / min. operating pressure: 1 bar
 / max. operating pressure: 10 bar
 / no additional maintenance opening required

lever handle



cross handle



Technologies



Spray types



Overview variants

Projection (mm)	Handle version	Finish	Code no.
222	lever	Chrome	39448000
		Brushed Black Chrome	39448340
		AXOR FinishPlus*	39448XXX
222	cross	Chrome	39447000
		Brushed Black Chrome	39447340
		AXOR FinishPlus*	39447XXX

Consisting of:

	Included in	Code no.
AXOR ShowerSolutions Hand shower 120 3jet	39448XXX 39447XXX	26050XXX
Metal effect shower hose 1.25 m with conical nuts	39448XXX 39447XXX	28622XXX
AXOR Citterio Shower holder round	39448XXX 39447XXX	39525XXX

Required parts:

	Code no.
Basic set for 3-hole basin mixer for concealed installation wall-mounted	10303180

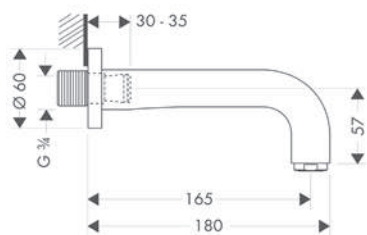
Optional parts:

	Code no.
Seal	96383000
AXOR Starck Extension set 25 mm for basic set for 3-hole basin mixer wall-mounted	96259000

Bath spout

Features

- / 1 function
- / projection: 165 mm
- / maximum flow rate at 3 bar: 21 l/min
- / connection dimension: device connection DN20
- / spray type: normal spray



Technologies



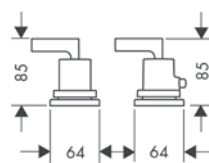
Finish	Code no.
Chrome	39410000
Brushed Black Chrome	39410340
AXOR FinishPlus*	39410XXX

2-hole rim mounted thermostatic bath mixer

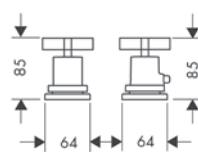
Features of all variants

- / 2 functions
- / Safety stop at 40 °C
- / temperature limitation adjustable
- / suitable for remote spout
- / connection dimension: DN15
- / connection type: basic set
- / rim mounted

lever handle



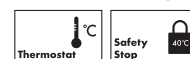
cross handle



Sustainability




Technologies



Overview variants

Handle version	Finish	Code no.
lever	Chrome	39482000
	Brushed Black Chrome	39482340
	AXOR FinishPlus*	39482XXX
cross	Chrome	39480000
	Brushed Black Chrome	39480340
	AXOR FinishPlus*	39480XXX

Required parts:

	Basic set for 2-hole rim mounted thermostatic bath mixer	Code no. 15486180
---	--	----------------------

Optional parts:

	Flexible connection tube 800 mm	Code no. 58308000
---	---------------------------------	----------------------

2-hole rim mounted thermostatic bath mixer

Optional parts:	Code no.
Connection tube set for 2-hole rim mounted thermostatic bath mixer	13089000



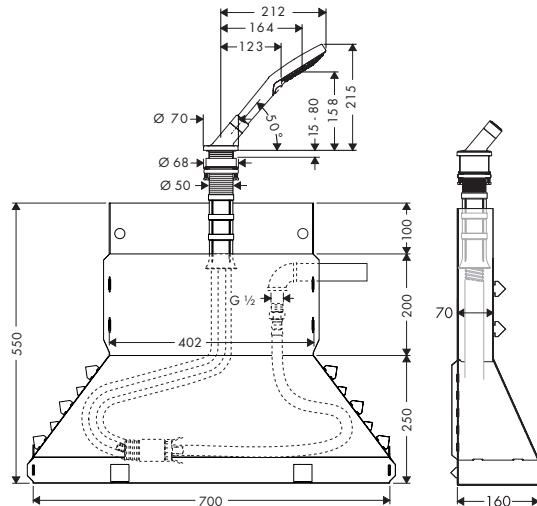
Rim mounted bath set with hand shower

Features

/ consists of: hand shower, shower holder, shower hose, Secubox, Secuflex hose brake, hose insert

/ suitable for for installation on bath rim or tile surround (no mounting plate available)
/ connection dimension: DN15

/ drilling diameter on bath tub: Ø 50 mm
/ maximum pull-out length of hand shower 1.10 m



Finish	Code no.
Chrome	19418000
Brushed Bronze	19418140
Brushed Black Chrome	19418340
Polished Gold Optic	19418990
AXOR FinishPlus*	19418XXX

Consisting of:	Included in	Code no.
AXOR ShowerSolutions Hand shower 120 3jet	19418XXX	26050XXX



Optional parts:	Code no.
Secuflex insert extension	98806000

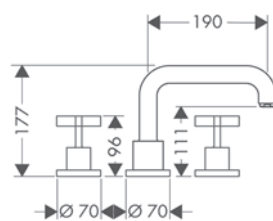
3-hole rim mounted bath mixer with cross handles

Features

/ 1 function
/ projection: 190 mm
/ spray type mixer: normal spray
/ maximum flow rate at 3 bar: 21,5 l/min

/ connection dimension: DN15
/ connection type: basic set
/ installation on bath rim
/ min. operating pressure: 1 bar

/ max. operating pressure: 10 bar
/ no additional maintenance opening required



Technologies



Finish	Code no.
Chrome	39436000
Brushed Black Chrome	39436340
AXOR FinishPlus*	39436XXX

Required parts:	Code no.
Basic set for 3-hole rim mounted bath mixer	15484180



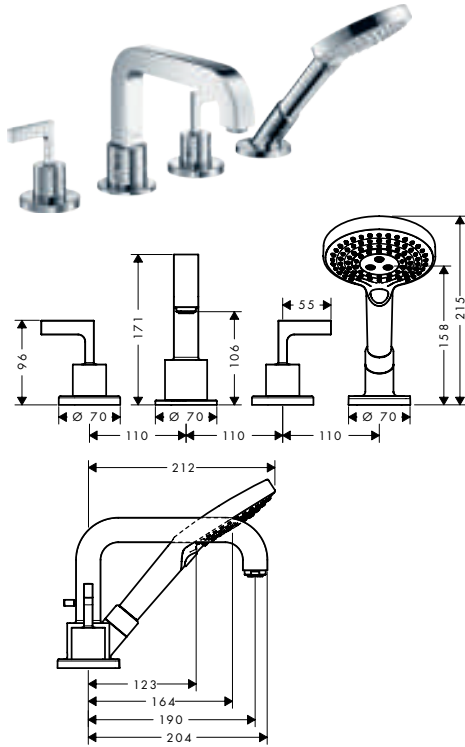
* AXOR FinishPlus: For further AXOR FinishPlus surfaces please see the AXOR FinishPlus overview on page 33.

4-hole rim mounted bath mixers

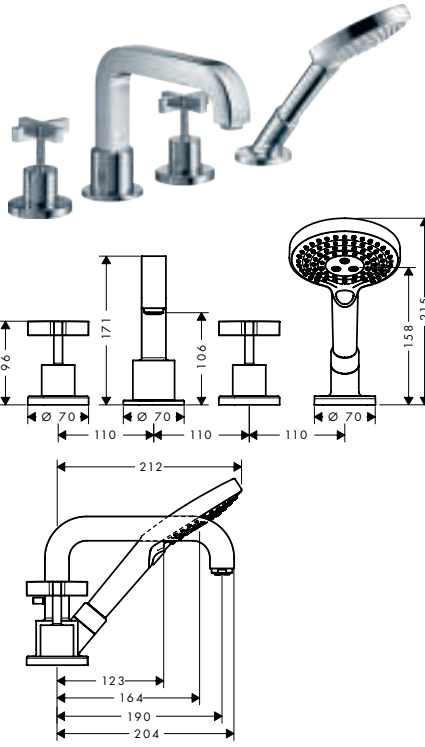
Features of all variants

- / consists of: 4-hole rim mounted bath mixer, hand shower, shower hose, shower holder
- / 2 functions
- / projection: 190 mm
- / spray type mixer: normal spray
- / spray type hand shower: Rain, RainAir, WhirlAir
- / maximum pull-out length of hand shower: 1.10 m
- / maximum flow rate at 3 bar: 21 l/min
- / flow rate for bath spout at 3 bar: 21 l/min
- / flow rate of hand shower at 3 bar: 18 l/min
- / ceramic valves hot/cold 90°
- / diverter with automatic resetting
- / non-return valve
- / connection dimension: DN 15
- / connection type: basic set
- / min. operating pressure: 1 bar
- / max. operating pressure: 10 bar
- / no additional maintenance opening required

lever handle



cross handle



Technologies




Spray types



Overview variants

Projection (mm)	Handle version	Finish	Code no.
190	lever	Chrome	39446000
		Brushed Black Chrome	39446340
		AXOR FinishPlus*	39446XXX
190	cross	Chrome	39445000
		Brushed Black Chrome	39445340
		AXOR FinishPlus*	39445XXX

Consisting of:

	Included in	Code no.
 AXOR ShowerSolutions Hand shower 120 3jet	39446XXX 39445XXX	26050XXX

Required parts:

	Code no.
 Basic set for 4-hole rim mounted bath mixer	15480180

Optional parts:

	Code no.
 Secuflex insert extension	98806000

4-hole tile mounted bath mixers

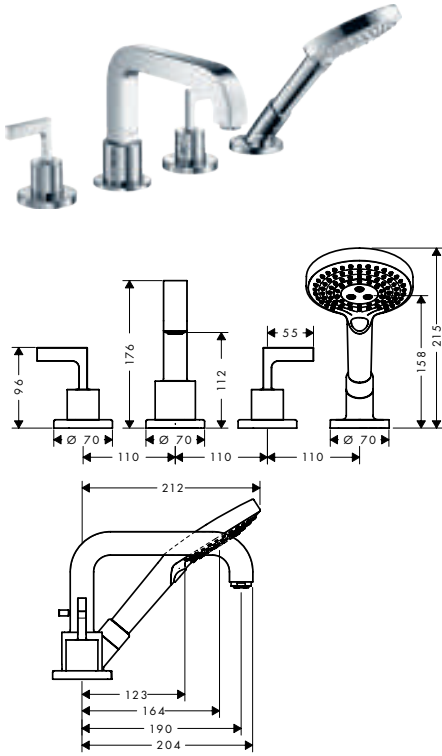
Features of all variants

- / consists of: 4-hole tile mounted bath mixer, hand shower, shower holder, shower hose
- / 2 functions
- / projection: 190 mm
- / spray type mixer: normal spray
- / spray type hand shower: Rain, RainAir, WhirlAir

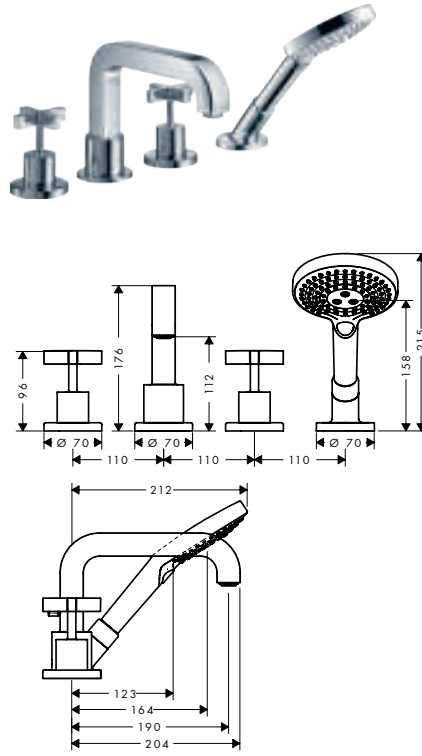
- / maximum pull-out length of hand shower: 1.10 m
- / maximum flow rate at 3 bar: 21 l/min
- / ceramic valves hot/cold 90°
- / diverter with automatic resetting
- / non-return valve
- / connection dimension: DN15

- / connection type: basic set
- / tile mounted
- / min. operating pressure: 1 bar
- / max. operating pressure: 10 bar
- / no additional maintenance opening required

lever handle



cross handle



Technologies



Spray types



Overview variants

Projection (mm)	Handle version	Finish	Code no.
190	lever	Chrome	39454000
		Brushed Black Chrome	39454340
		AXOR FinishPlus*	39454XXX
190	cross	Chrome	39453000
		Brushed Black Chrome	39453340
		AXOR FinishPlus*	39453XXX

Consisting of:



AXOR ShowerSolutions Hand shower 120 3jet

Included in	Code no.
39454XXX	26050XXX
39453XXX	

Required parts:



Basic set for 4-hole tile mounted bath mixer

Code no.
15481180

Optional parts:



Secuflex insert extension

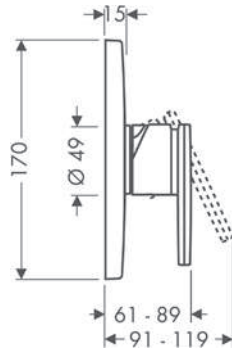
Code no.
98806000

*AXOR FinishPlus: For further AXOR FinishPlus surfaces please see the AXOR FinishPlus overview on page 33.

Single lever shower mixer for concealed installation with lever handle




Features

- / 1 function
- / maximum flow rate at 3 bar: 29 l/min
- / ceramic cartridge
- / temperature limitation adjustable
- / with silencer
- / suitable for continous flow water heaters
- / min. operating pressure: 1 bar
- / max. operating pressure: 10 bar
- / connection type: basic set



Finish	Code no.
Chrome	39655000
Brushed Black Chrome	39655340
AXOR FinishPlus*	39655XXX

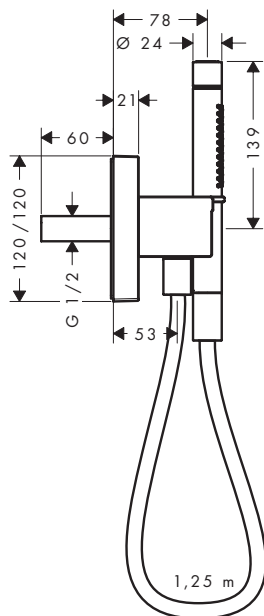
Required parts (choose one):

		Code no.
Option 1	 AXOR iBox universal 2 Basic set	01400180
	+ 	13588000
Option 2	 AXOR iBox universal Basic set	01700180

Porter unit 120/120 with baton hand shower 2jet and shower hose

Features

- / consists of: porter unit, baton hand shower, shower holder, shower hose
- / shower head size: 68 x 24 mm
- / spray type: Rain, MonoRain
- / maximum flow rate at 3 bar: 16,2 l/min
- / minimum flow pressure: 1 bar
- / operating pressure: min. 1 bar/max. 10 bar
- / in a joined installation (10 mm distance), the basic set no.28486180 must be used
- / in a joined installation (10 mm distance) we recommend for perfect handling only the horizontal installation
- / in a freely-arranged installation (distance greater than 10 mm), no basic set is required
- / for shower hoses with conical or cylindrical nut on both sides
- / shower hose length: 1250 mm
- / with non-return valve
- / integrated support function
- / wall mounting: screw fastening
- / rinseable filter washer




Spray types



Finish	Code no.
Chrome	12626000
Brushed Bronze	12626140
Brushed Black Chrome	12626340
Polished Gold Optic	12626990
AXOR FinishPlus*	12626XXX

Consisting of:

	AXOR Starck Metal effect shower hose 1.25 m with cylindrical nuts	Included in	Code no.
		12626XXX	28282XXX

Porter unit 120/120 with baton hand shower 2jet and shower hose

Optional parts:



AXOR ShowerSolutions Basic set for shower module 120/120 for concealed installation

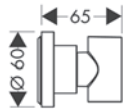
Code no.

28486180

Shower holder round

Features

- / fixed holding position
- / for shower hoses with conical nut
- / material: metal
- / conical mount
- / dimensions: 60 x 60 x 65 mm (HxWxD)
- / diameter drill hole: 6 mm
- / 2 drill holes



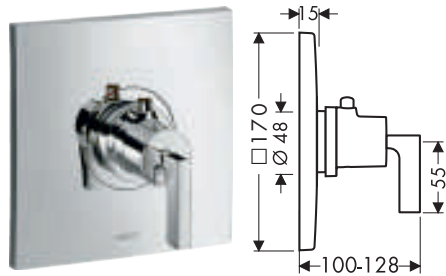
Finish	Code no.
Chrome	39525000
Brushed Bronze	39525140
Brushed Black Chrome	39525340
Polished Gold Optic	39525990
AXOR FinishPlus*	39525XXX

Thermostats HighFlow for concealed installation

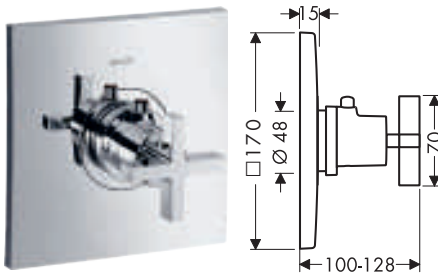
Features of all variants

- / 1 function
- / thermostat cartridge
- / maximum flow rate at 3 bar: 59 l/min
- / min. operating pressure: 1 bar
- / max. operating pressure: 10 bar
- / Safety stop at 40 °C
- / temperature limitation adjustable
- / with silencer
- / connection type: basic set

lever handle



cross handle



Technologies



Overview variants

Handle version	Finish	Code no.
lever	Chrome	39711000
	Brushed Black Chrome	39711340
	AXOR FinishPlus*	39711XXX
cross	Chrome	39716000
	Brushed Black Chrome	39716340
	AXOR FinishPlus*	39716XXX

Required parts (choose one):

Option	Image	Description	Code no.
Option 1		AXOR iBox universal 2 Basic set	01400180
+		Adapter plate for iBox universal 2	13588000
Option 2		AXOR iBox universal Basic set	01700180

*AXOR FinishPlus: For further AXOR FinishPlus surfaces please see the AXOR FinishPlus overview on page 33.

Thermostats for concealed installation with shut-off valve

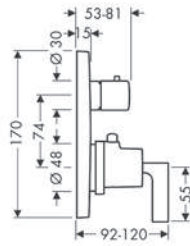
Features of all variants

/ 1 function
 / thermostat cartridge, ceramic valves 90°
 / maximum flow rate at 3 bar: 26 l/min

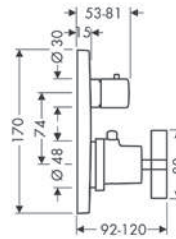
/ min. operating pressure: 1 bar
 / max. operating pressure: 10 bar
 / Safety stop at 40 °C

/ temperature limitation adjustable
 / with silencer
 / connection type: basic set

lever handle



cross handle



Sustainability



Technologies



Overview variants

Handle version	Finish	Code no.
lever	Chrome	39700000
	Brushed Black Chrome	39700340
	AXOR FinishPlus*	39700XXX
cross	Chrome	39705000
	Brushed Black Chrome	39705340
	AXOR FinishPlus*	39705XXX

Required parts (choose one):

Option	Image	Description	Code no.
Option 1		AXOR iBox universal 2 Basic set	01400180
	+		
		Adapter plate for iBox universal 2	13588000
Option 2		AXOR iBox universal Basic set	01700180

Thermostats for concealed installation with shut-off and diverter valve

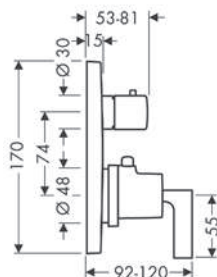
Features of all variants

/ 2 functions
 / thermostat cartridge, shut-off valve
 / flow rate upper outlet: 25 l/min
 / flow rate lower outlet: 29 l/min

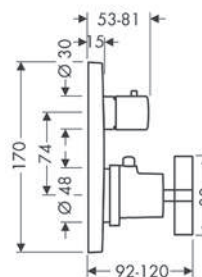
/ maximum flow rate at 3 bar: 29 l/min
 / min. operating pressure: 1 bar
 / max. operating pressure: 10 bar
 / Safety stop at 40 °C

/ temperature limitation adjustable
 / with silencer
 / connection type: basic set

lever handle



cross handle



Sustainability









Technologies






Thermostats for concealed installation with shut-off and diverter valve

Overview variants

Handle version	Finish	Code no.
lever	 Chrome	39720000
	 Brushed Black Chrome	39720340
	 AXOR FinishPlus*	39720XXX
cross	 Chrome	39725000
	 Brushed Black Chrome	39725340
	 AXOR FinishPlus*	39725XXX

⚠ Required parts (choose one):

Option	Image	Description	Code no.
Option 1		AXOR iBox universal 2 Basic set	01400180
	+		
		Adapter plate for iBox universal 2	13588000
Option 2		AXOR iBox universal Basic set	01700180

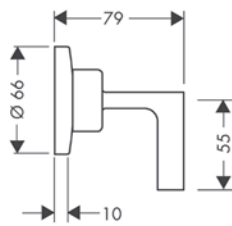
Shut-off valves for concealed installation

Features of all variants

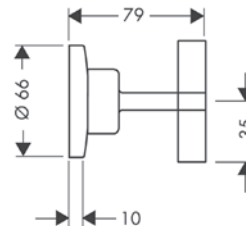
/ connection type: DN15/DN20

/ noise class: II







lever handle






cross handle




Overview variants

Handle version	Finish	Code no.
lever	 Chrome	39960000
	 Brushed Black Chrome	39960340
	 AXOR FinishPlus*	39960XXX
cross	 Chrome	39965000
	 Brushed Black Chrome	39965340
	 AXOR FinishPlus*	39965XXX

⚠ Required parts (choose one):

Image	Description	Code no.
	Basic set 130 l/min for shut-off valve for concealed installation spindle	16970180
	Basic set 52 l/min for shut-off valve for concealed installation spindle	16973180
	Basic set 40 l/min for shut-off valve for concealed installation ceramic	16974180

Optional parts:

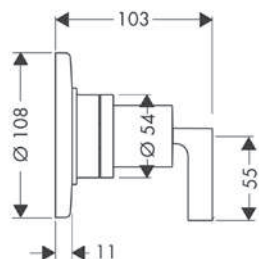
Image	Description	Code no.
	Extension set 25 mm for shut-off/ diverter valve Trio-/ Quattro	92990000

Shut-off/diverter valves for concealed installation

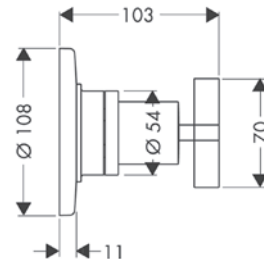
Features of all variants

/ connection dimension: DN20

lever handle



cross handle



Overview variants

Handle version	Finish	Code no.
lever	Chrome	39920000
	Brushed Black Chrome	39920340
	AXOR FinishPlus*	39920XXX
cross	Chrome	39925000
	Brushed Black Chrome	39925340
	AXOR FinishPlus*	39925XXX

Required parts (choose one):

	Code no.
Basic set for Quattro four-way diverter valve for concealed installation	16930180
Basic set for shut-off/ diverter valve Trio for concealed installation	16982180

Optional parts:

	Code no.
Extension set 25 mm for shut-off/ diverter valve Trio-/ Quattro	92990000

Wall outlets with non-return valve

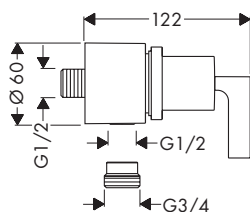
Features of all variants

/ connection type: DN15

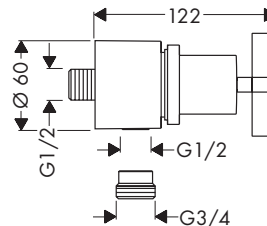
/ hose connection DN15/DN20

/ with non-return valve

lever handle



cross handle



Overview variants

Handle version	Finish	Code no.
lever	Chrome	39882000
	Brushed Black Chrome	39882340
	AXOR FinishPlus*	39882XXX
cross	Chrome	39883000
	Brushed Black Chrome	39883340
	AXOR FinishPlus*	39883XXX

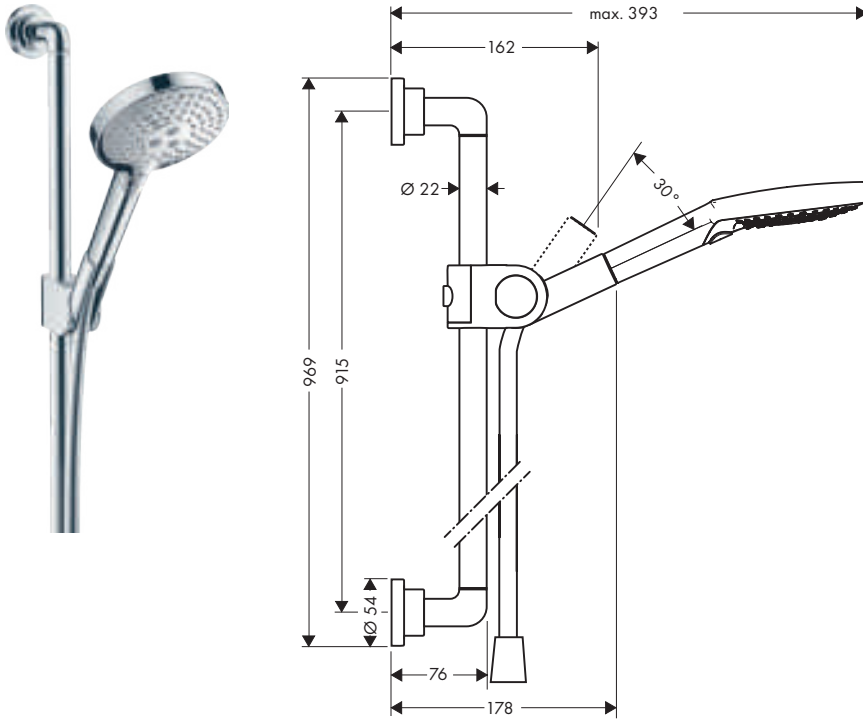
Shower set 0.90 m with hand shower 120 3jet

Features

- / consists of: hand shower, shower bar, shower hose, slider
- / shower head size: 120 mm
- / spray type: Rain, RainAir, WhirlAir
- / convenient spray selection via Select button

- / QuickClean: Limescale deposits can simply be rubbed off with your finger
- / inclination angle can be adjusted by 30°
- / support for shower hose with conical nuts
- / maximum flow rate at 3 bar: 16 l/min
- / minimum flow pressure: 1 bar

- / operating pressure: min. 1 bar/max. 6 bar
- / wall supports of metal
- / profile pipe: round
- / shower bar diameter: 22 mm
- / drilling distance: 915 mm
- / pivot connector prevents hose from tangling



Technologies



Spray types



Finish	Code no.
Chrome	27991000
Brushed Black Chrome	27991340
AXOR FinishPlus*	27991XXX

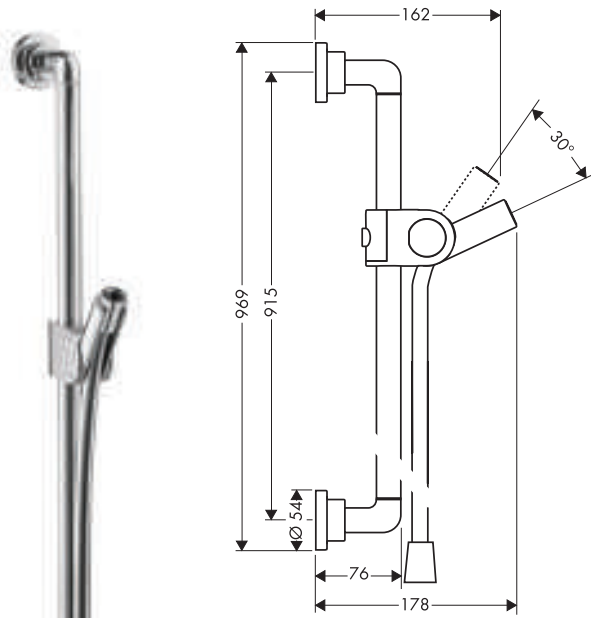
Consisting of:

	Included in	Code no.
AXOR ShowerSolutions Hand shower 120 3jet	27991XXX	26050XXX
Metal effect shower hose 1.60 m with conical nuts	27991XXX	28626XXX


Shower bar 0.90 m with shower hose 1.60 m

Features

- / consists of: shower bar, shower hose, slider
- / pivot connector prevents hose from tangling
- / pipe length: 969 mm
- / shower bar diameter: 22 mm
- / profile pipe: round
- / drilling distance: 915 mm
- / shower hose length: 1600 mm
- / metal hand shower holder
- / slider with locking mechanism
- / wall supports of metal



Finish	Code no.
Chrome	27831000
Brushed Black Chrome	27831340
AXOR FinishPlus*	27831XXX

Consisting of:	Included in	Code no.
 Metal effect shower hose 1.60 m with conical nuts	27831XXX	28626XXX

Showers



AXOR ShowerSolutions
Overhead shower 250/580 3jet

#35283XXX

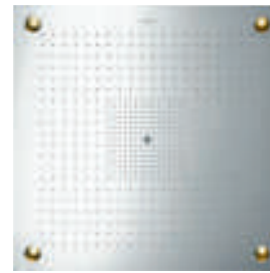
page 472



AXOR ShowerSolutions
Overhead shower 300/300 2jet with ceiling connection

#35320XXX

page 470



AXOR ShowerSolutions
ShowerHeaven 970/970 3jet with lighting

#10623XXX

page n/a

Shower controls



AXOR ShowerSelect ID
Thermostat for concealed installation square for 2 functions

#36752XXX

page 553



AXOR ShowerComposition
Thermostatic module 540/110 for concealed installation for 3 functions

#12572XXX

page 447



AXOR ShowerSolutions
Thermostatic module Select 600/90 for concealed installation for 4 functions

#18357XXX

page 562

Further complementary products



AXOR Universal Rectangular
Bath towel rail 600 mm

#42661XXX

page 606



AXOR Suite Basins & Bathtub
Wash bowl 400/400 without tap hole and overflow

#42003XXX

page 657



AXOR Drain
Finish set shower drain 700

#42520XXX

page 688





- Basin
- Bidet
- Bath
- Shower
- Thermostatic mixers / valves / diverters
- Shower sets



AXOR CITTERIO E

DESIGN

—
ANTONIO CITTERIO



“AXOR Citterio E is a redesign of an everyday object. These little, but refined details are extremely important for perception.”

ANTONIO CITTERIO

AXOR Citterio E

The essence of elegance

AXOR Citterio E perfects the beauty of proportionality and connects curved and angular shapes, familiar and new, classic and modern, to create a timelessly elegant form. Balanced right down to the last detail. This is the E in AXOR Citterio E. Harmony is created in the balance of opposites.

Design: Antonio Citterio

Characteristic design feature:

Elegant, timeless design: Soft, round shapes, a tapered spout and classic cross handles that are especially ergonomic.

The designer's idea:

A symbiosis of opposites to create perfect beauty: With AXOR Citterio E, we wanted to create something simple, but with high tangible and visible quality, to serve as an antidote to our complex world.

Special collection highlights:

- / Three handle variants: the classic cross handle, the modern pin handle and the ergonomic lever handle
- / Modern functionality: pin handle, shower set with metal slider, thermostatic module with various handles for different functions and, unambiguous, ergonomic control
- / Selected products from the collection available in Matt Black
- / AXOR Citterio E is the third collection in cooperation with Antonio Citterio

A perfect symbiosis of right angles and soft, round shapes

Elegance and ease of use come together in the single-hole lavatory faucet. Precisely worked surfaces and edges are combined with gentle shapes and escutcheons in Softsquare design. Different handle variants, such as the slim joystick handle or the lever handle, are an expression of high quality.



Various handle variants

- / Distinctive, modern pin handle with joystick cartridge—for ergonomic operation
- / Lever handle for easy, ergonomic control

A tapered spout

Thoroughly planned design right down to the spout—for an elegant look

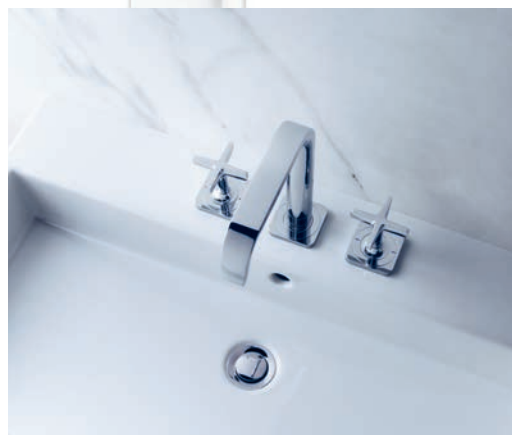


Harmonious character

Precisely developed surfaces and edges which, together with gentle curves, create a balanced look—even with very different handle variants

Fully integrated spray formers

Uncompromising execution down to the spray former that underscores the intricate mixer design. Flow rate: 5 l/min (at 3 bar)



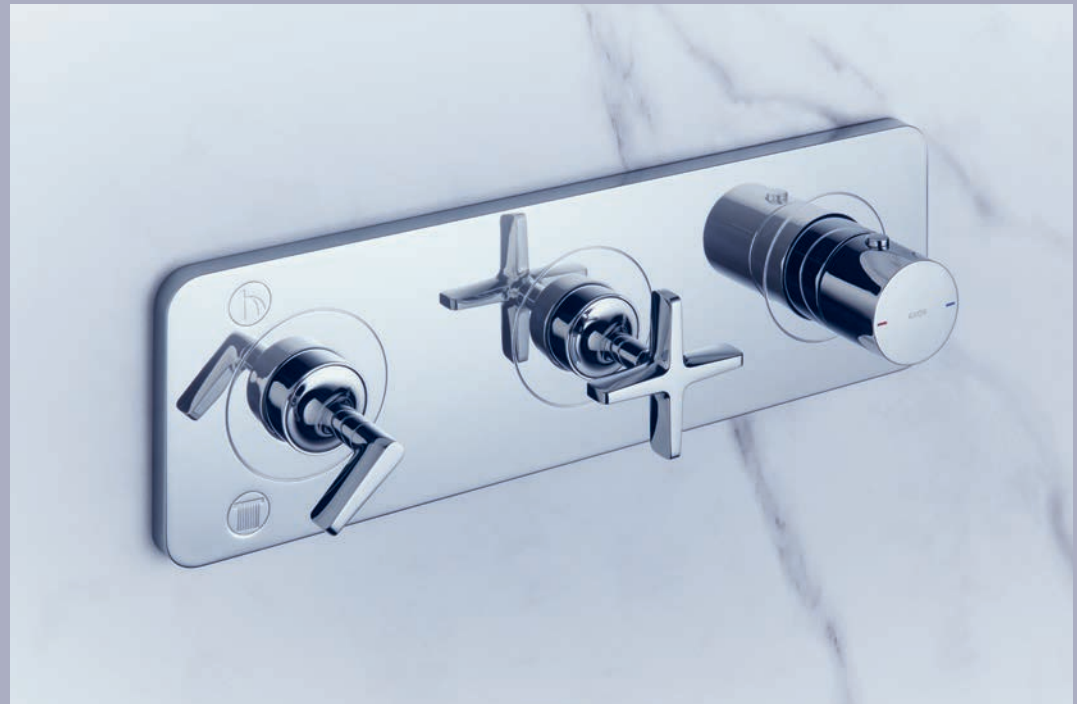
Cross handles, with their classic look, characterize the three-hole wash basin mixers. Ergonomic, with soft radii, they are easy to grip and to operate.





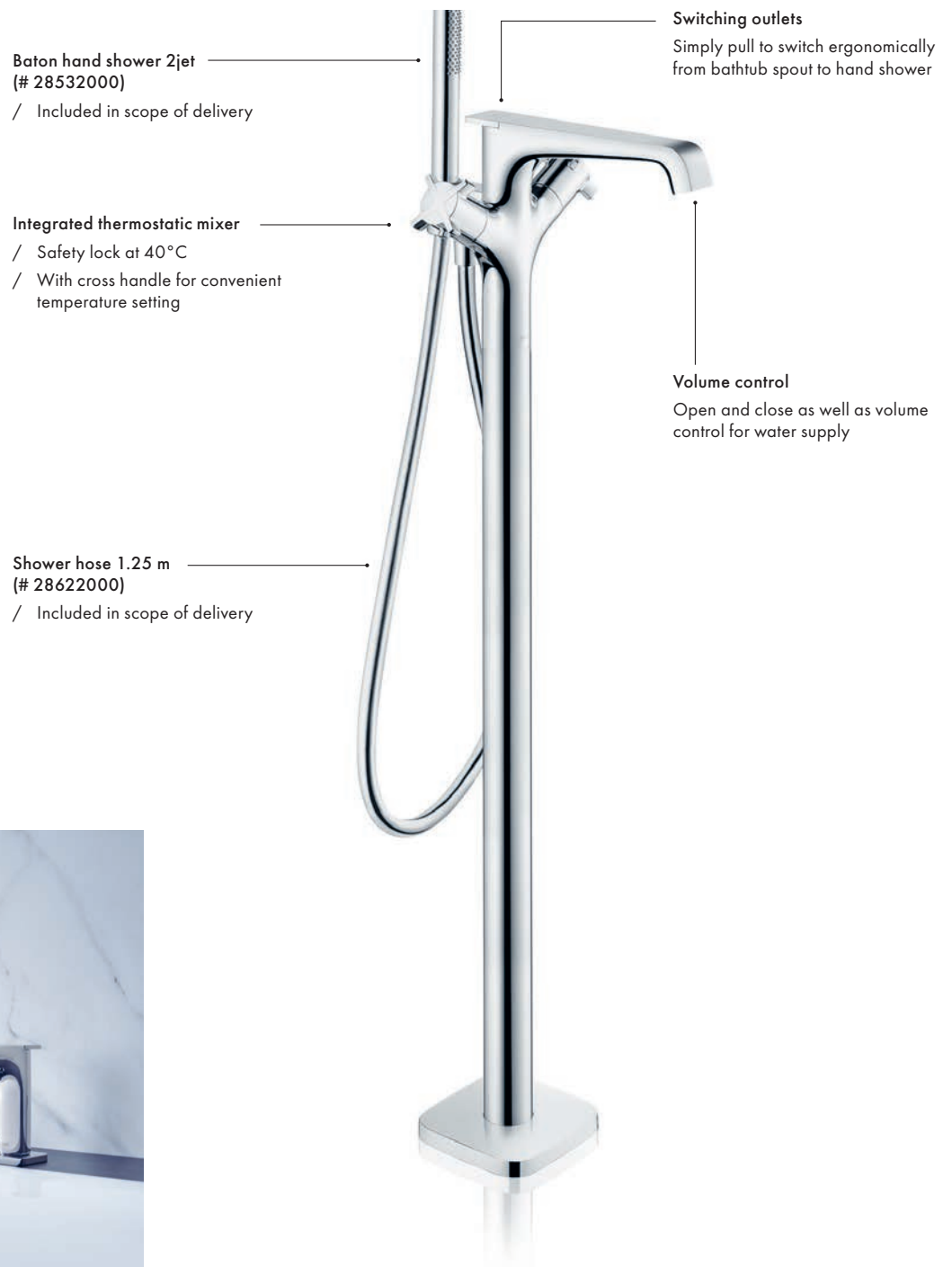
Elegance and functionality in the shower

The scope for individual design is almost boundless. The thermostatic module 380 / 120 can be installed with individual escutcheons for three functions or with a plate for two functions. In connection with the basic set based on the modular principle of the AXOR ShowerCollection, installation can be carried out for customized dimensions in rows spaced 10 mm apart. The building block system and the optional 120 / 120 square product grid offer more options for individuality and creativity in shower planning.



A perfect symbiosis of right angles and soft, round shapes

Elegance and ease of use come together in the single-hole lavatory faucet. Precisely worked surfaces and edges are combined with gentle shapes and escutcheons in Softsquare design. Different handle variants, such as the slim joystick handle or the lever handle, are an expression of high quality.



The four-hole rim-mounted mixer is a timeless, elegant product for the bathtub. At the same time, the handles offer intuitive operation: the temperature with the cylindrical handle, the water flow with the ergonomic cross handle.



Single lever basin mixers for hand washbasins

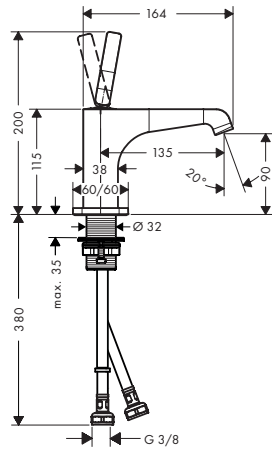
Features of all variants

/ consists of: single lever basin mixer, waste set
 / ComfortZone: 90
 / projection: 135 mm
 / spout height: 90 mm
 / spray type: laminar spray

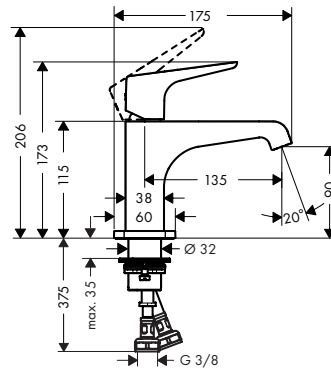
/ maximum flow rate at 3 bar: 5 l/min
 / ceramic cartridge
 / suitable for continuous flow water heaters
 / non-closing waste set
 / connection type: G 3/8 hose connections

/ connection dimension: DN15
 / EU taxonomy: max. 6 l/min - Substantial Contribution (SC) possible

pin handle



lever handle



Overview variants

ComfortZone	Projection (mm)	Spout height (mm)	Handle version	Finish	Code no.
90	135	90	pin	Chrome	36102000
				Brushed Bronze	36102140
				Brushed Black Chrome	36102340
				AXOR FinishPlus*	36102XXX
90	135	90	lever	Chrome	36112000
				Brushed Bronze	36112140
				Brushed Black Chrome	36112340
				AXOR FinishPlus*	36112XXX

Sustainability



Technologies



Single lever basin mixers

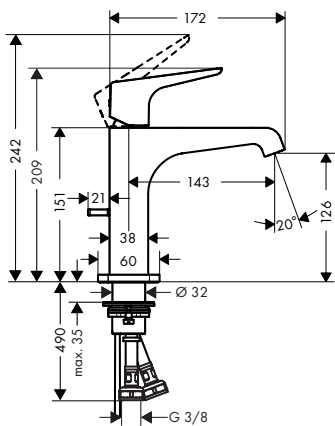
Features of all variants

/ consists of: single lever basin mixer, waste set
 / spray type: laminar spray
 / maximum flow rate at 3 bar: 5 l/min

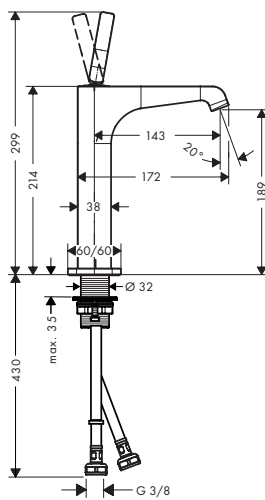
/ ceramic cartridge
 / suitable for continuous flow water heaters
 / connection type: G 3/8 hose connections

/ connection dimension: DN15
 / EU taxonomy: max. 6 l/min - Substantial Contribution (SC) possible

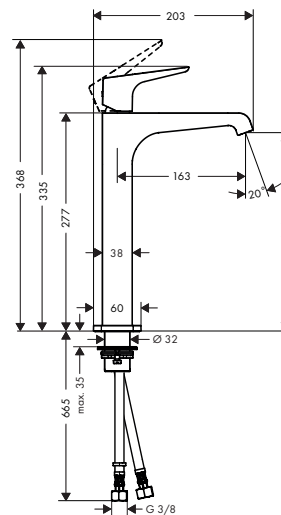
130



190



250



Sustainability



Technologies



Certificates/declarations



Overview variants

ComfortZone	Projection (mm)	Spout height (mm)	Waste set	Handle version	For wash bowls	Finish	Code no.
130	143	126	pop-up	pin	-	Chrome	36100000
						Brushed Bronze	36100140
						Brushed Black Chrome	36100340
						Matt Black	36100670
						AXOR FinishPlus*	36100XXX
130	143	126	non-closing	pin	-	Chrome	36101000
						Brushed Bronze	36101140
						Brushed Black Chrome	36101340
						Matt Black	36101670
						Stainless Steel Optic	36101800
130	143	126	pop-up	lever	-	Chrome	36110000
						Brushed Bronze	36110140
						Brushed Black Chrome	36110340
						Matt Black	36110670
						AXOR FinishPlus*	36110XXX

For more information about this product, please see the next page.

*AXOR FinishPlus: For further AXOR FinishPlus surfaces please see the AXOR FinishPlus overview on page 33.

Single lever basin mixers

Overview variants

ComfortZone	Projection (mm)	Spout height (mm)	Waste set	Handle version	For wash bowls	Finish	Code no.
130	143	126	non-closing	lever	-	Chrome	36111000
						Brushed Bronze	36111140
						Brushed Black Chrome	36111340
						Matt Black	36111670
						AXOR FinishPlus*	36111XXX
190	143	189	non-closing	pin	■	Chrome	36103000
						Brushed Bronze	36103140
						Brushed Black Chrome	36103340
						AXOR FinishPlus*	36103XXX
						Chrome	36104000
250	163	252	non-closing	pin	■	Brushed Bronze	36104140
						Brushed Black Chrome	36104340
						Matt Black	36104670
						AXOR FinishPlus*	36104XXX
						Chrome	36113000
250	163	252	non-closing	lever	■	Brushed Bronze	36113140
						Brushed Black Chrome	36113340
						Matt Black	36113670
						AXOR FinishPlus*	36113XXX
						Chrome	36113000

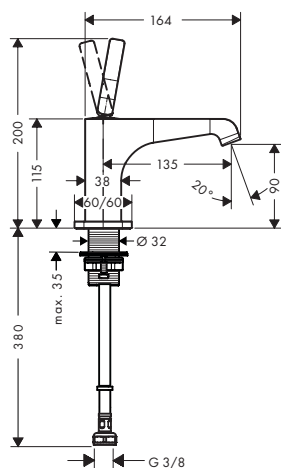
Pillar tap 90 with pin handle without waste set

Features

- / ComfortZone: 90
- / projection: 135 mm
- / spout height: 90 mm
- / handle variant: pin handle
- / spray type: laminar spray

- / maximum flow rate at 3 bar: 5 l/min
- / ceramic cartridge
- / for cold water connection
- / non-closing waste set
- / connection type: G 3/8 hose connection

- / connection dimension: DN 15
- / EU taxonomy: max. 6 l/min - Substantial Contribution (SC) possible



Sustainability



Technologies



Finish	Code no.
Chrome	36105000
Brushed Bronze	36105140
Brushed Black Chrome	36105340
AXOR FinishPlus*	36105XXX

Single lever basin mixers for concealed installation wall-mounted

Features of all variants

/ consists of: single lever basin mixer for concealed installation wall-mounted, waste set
 / projection: 221 mm
 / handle variant: pin handle
 / spray type: laminar spray

/ maximum flow rate at 3 bar: 5 l/min
 / ceramic cartridge
 / suitable for continuous flow water heaters
 / non-closing waste set
 / connection type: basic set

/ handle can be positioned on the right or left, depending on the basic set installation
 / EU taxonomy: max. 6 l/min - Substantial Contribution (SC) possible

with plate



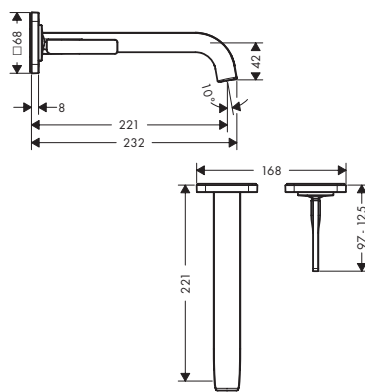
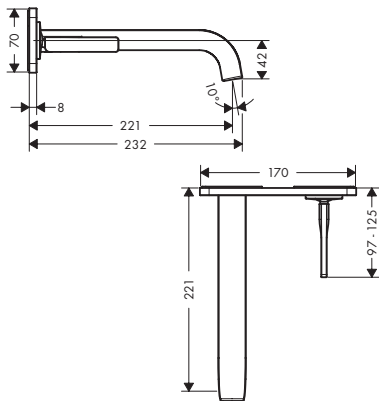
with escutcheons



Sustainability



Certificates/declarations



Overview variants

Projection (mm)	Cover	Finish	Code no.
221	plate	Chrome	36114000
		Brushed Bronze	36114140
		Brushed Black Chrome	36114340
		AXOR FinishPlus*	36114XXX
221	escutcheons	Chrome	36106000
		Brushed Bronze	36106140
		Brushed Black Chrome	36106340
		Matt Black	36106670
		AXOR FinishPlus*	36106XXX

Required parts:



Basic set for single lever basin mixer for concealed installation wall-mounted

Code no.

13623180

Optional parts:



Extension set 25 mm for single lever basin mixer wall-mounted

Code no.

13586000

* AXOR FinishPlus: For further AXOR FinishPlus surfaces please see the AXOR FinishPlus overview on page 33.

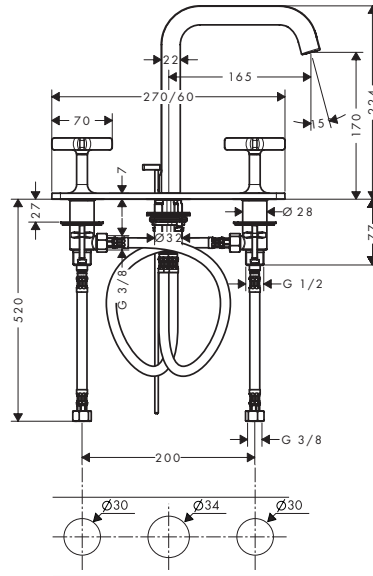
3-hole basin mixer 170 with plate and pop-up waste set

Features

/ consists of: 3-hole basin mixer, waste set
 / ComfortZone: 170
 / projection: 165 mm
 / spout height: 170 mm
 / handle variant: cross handle

/ spray type: laminar spray
 / maximum flow rate at 3 bar: 5 l/min
 / ceramic valves hot/ cold 180°
 / suitable for continuous flow water heaters
 / pop-up waste set G 1¼

/ connection type: G ¾ hose connections
 / connection dimension: DN 15
 / for use only at flat, plain surfaces
 / EU taxonomy: max. 6 l/min - Substantial Contribution (SC) possible



Sustainability



Technologies



Finish	Code no.
Chrome	36116000
Brushed Bronze	36116140
Brushed Black Chrome	36116340
AXOR FinishPlus*	36116XXX

Optional parts:



Hose extension set for 3-hole basin mixer

Code no.

38959000

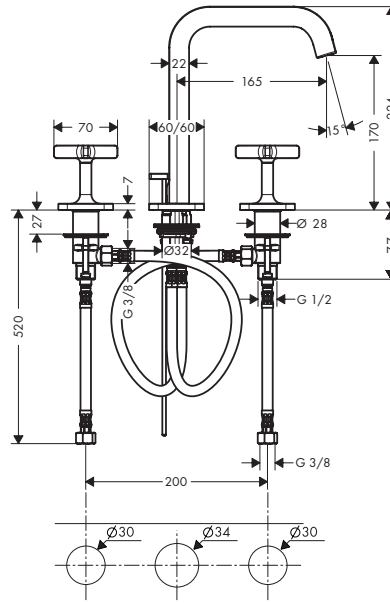
3-hole basin mixer 170 with escutcheons and pop-up waste set

Features

/ consists of: 3-hole basin mixer, waste set
 / ComfortZone: 170
 / projection: 165 mm
 / spout height: 170 mm
 / handle variant: cross handle

/ spray type: laminar spray
 / maximum flow rate at 3 bar: 5 l/min
 / ceramic valves hot/ cold 180°
 / suitable for continuous flow water heaters
 / pop-up waste set G 1¼

/ connection type: G ¾ hose connections
 / connection dimension: DN 15
 / EU taxonomy: max. 6 l/min - Substantial Contribution (SC) possible



Sustainability



Technologies



Finish	Code no.
Chrome	36108000
Brushed Bronze	36108140
Brushed Black Chrome	36108340
Matt Black	36108670
AXOR FinishPlus*	36108XXX

Optional parts:



Hose extension set for 3-hole basin mixer

Code no.

38959000

Single lever bidet mixers

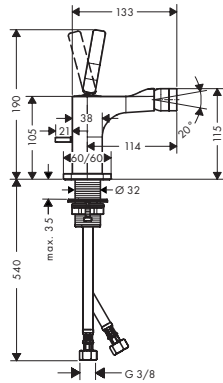
Features of all variants

/ consists of: single lever bidet mixer, waste set
 / projection: 114 mm
 / aerator with ball pivot
 / spray type: normal spray

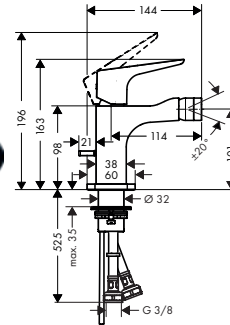
/ maximum flow rate at 3 bar: 7,2 l/min
 / ceramic cartridge
 / suitable for continuous flow water heaters
 / pop-up waste set G 1 1/4

/ connection type: G 3/8 hose connections
 / connection dimension: DN15

pin handle



lever handle



Technologies



Overview variants

Projection (mm)	Spout height (mm)	Handle version	Finish	Code no.
114	105	pin	Chrome	36120000
			Brushed Bronze	36120140
			Brushed Black Chrome	36120340
			Matt Black	36120670
			AXOR FinishPlus*	36120XXX
114	101	lever	Chrome	36121000
			Brushed Bronze	36121140
			Brushed Black Chrome	36121340
			AXOR FinishPlus*	36121XXX

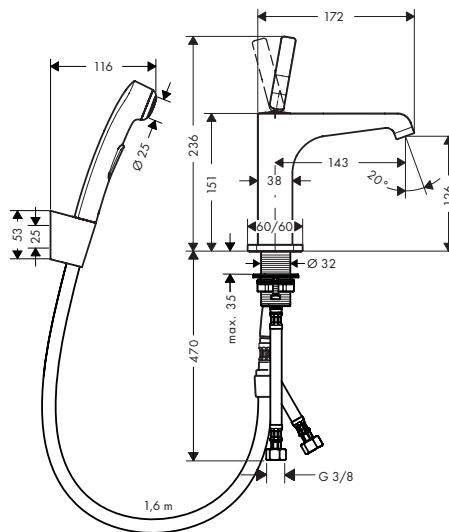
Single lever basin mixer 130 with bidette hand shower and shower hose 1.60 m

Features

/ consists of: single lever basin mixer, bidette hand shower, shower holder, shower hose, waste set
 / ComfortZone: 130
 / projection: 143 mm
 / spout height: 126 mm
 / handle variant: pin handle

/ spray type: normal spray
 / spray type Bidette: shower spray
 / maximum flow rate at 3 bar: 5 l/min
 / ceramic cartridge
 / suitable for continuous flow water heaters
 / push-open waste set G 1 1/4

/ connection type: G 3/8 hose connections
 / connection dimension: DN15
 / EU taxonomy: max. 6 l/min - Substantial Contribution (SC) possible



Sustainability



Technologies



Certificates/declarations



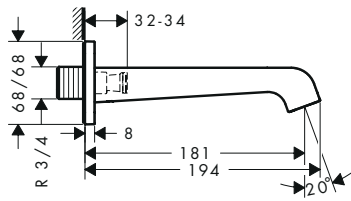
Finish	Code no.
Chrome	36130000
Brushed Bronze	36130140
Brushed Black Chrome	36130340
Matt Black	36130670
AXOR FinishPlus*	36130XXX

*AXOR FinishPlus: For further AXOR FinishPlus surfaces please see the AXOR FinishPlus overview on page 33.

Bath spout

Features

- / 1 function
- / connection type: G 3/4
- / projection: 181 mm
- / maximum flow rate at 3 bar: 23 l/min
- / spray type: laminar spray

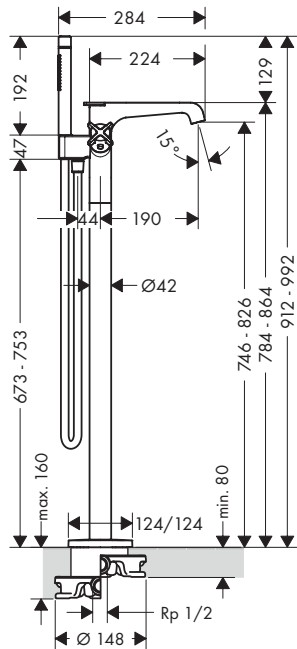


Finish	Code no.
Chrome	36425000
Brushed Bronze	36425140
Brushed Black Chrome	36425340
Matt Black	36425670
AXOR FinishPlus*	36425XXX

Bath thermostat floor-standing

Features

- / consists of: bath thermostat floor standing, baton hand shower, shower hose, shower holder
- / projection 190 mm
- / 2 functions
- / diversion between outlets via diverter knob
- / thermostat cartridge, ceramic valves 180°
- / spray type mixer: laminar spray
- / spray type hand shower: Rain, MonoRain
- / maximum flow rate at 3 bar: 19 l/min
- / flow rate for bath spout at 3 bar: 19 l/min
- / flow rate of hand shower at 3 bar: 15 l/min
- / min. operating pressure: 1 bar
- / max. operating pressure: 10 bar
- / Safety stop at 40 °C
- / temperature limitation adjustable
- / non-return valve
- / with automatic resetting
- / connection dimension: DN 15
- / connection type: basic set
- / deck mounted



Sustainability



Technologies



Spray types



Finish	Code no.
Chrome	36416000
Brushed Bronze	36416140
Brushed Black Chrome	36416340
Matt Black	36416670
AXOR FinishPlus*	36416XXX

Consisting of:



AXOR Starck Baton hand shower 2jet

Included in 36416XXX Code no. 28532XXX



Metal effect shower hose 1.25 m with conical nuts

36416XXX 28622XXX

Required parts:



Basic set for mixers floor-standing

Code no. 10452180

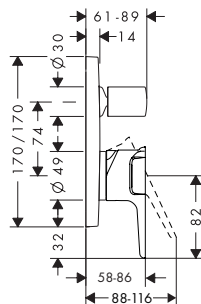
Bath thermostat floor-standing

Optional parts:		Code no.
	Sealing foil for basic set bath mixer floor-standing	96441000
	Extension 60 mm	92135000










Single lever bath mixers for concealed installation




Features of all variants

- / 2 functions
- / ceramic cartridge
- / temperature limitation adjustable
- / diverter with automatic resetting
- / with silencer
- / suitable for continuous flow water heaters
- / connection type: basic set
- / wall-mounted
- / min. operating pressure: 1 bar
- / max. operating pressure: 10 bar



Overview variants

Security combination EN 1717	Max. flow rate at 3 bar (l/min)	Finish	Code no.
-	29	<ul style="list-style-type: none">  Chrome 36455000  Brushed Bronze 36455140  Brushed Black Chrome 36455340  Matt Black 36455670  AXOR FinishPlus* 36455XXX 	
■	25	<ul style="list-style-type: none">  Chrome 36457000  Brushed Bronze 36457140  Brushed Black Chrome 36457340  AXOR FinishPlus* 36457XXX 	

⚠ Required parts (choose one):			Code no.
Option 1		AXOR iBox universal 2 Basic set	01400180
	+		Adapter plate for iBox universal 2 13588000
Option 2		AXOR iBox universal Basic set	01700180

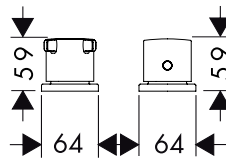
2-hole rim mounted thermostatic bath mixer

Features

/ 2 functions
 / Safety stop at 40 °C
 / temperature limitation adjustable

/ suitable for remote spout
 / connection dimension: DN 15
 / connection type: basic set

/ rim mounted



Sustainability



Technologies



Finish	Code no.
Chrome	36412000
Brushed Bronze	36412140
Brushed Black Chrome	36412340
AXOR FinishPlus*	36412XXX

Required parts: Code no.



Basic set for 2-hole rim mounted thermostatic bath mixer

15486180

Optional parts: Code no.



Connection tube set for 2-hole rim mounted thermostatic bath mixer

13089000



Flexible connection tube 800 mm

58308000

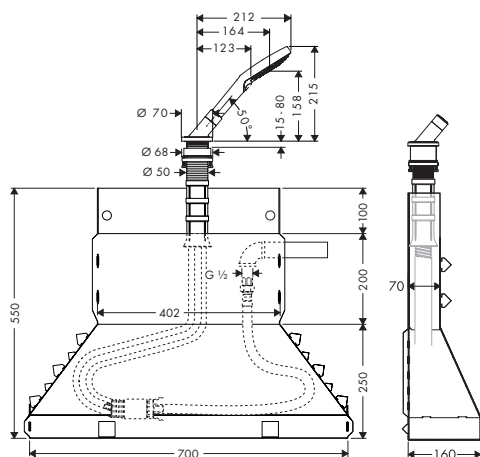
Rim mounted bath set with hand shower

Features

/ consists of: hand shower, shower holder, shower hose, Secubox, Secuflex hose brake, hose insert

/ suitable for for installation on bath rim or tile surround (no mounting plate available)
 / connection dimension: DN 15

/ drilling diameter on bath tub: Ø 50 mm
 / maximum pull-out length of hand shower 1.10 m



Finish	Code no.
Chrome	19418000
Brushed Bronze	19418140
Brushed Black Chrome	19418340
Polished Gold Optic	19418990
AXOR FinishPlus*	19418XXX

Consisting of: Included in Code no.



AXOR ShowerSolutions Hand shower 120 3jet

19418XXX 26050XXX

Optional parts: Code no.



Secuflex insert extension

98806000

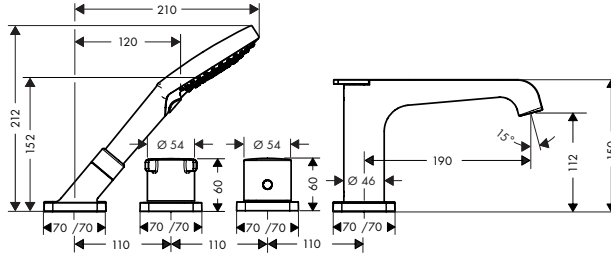
4-hole rim mounted thermostatic bath mixer

Features

- / consists of: 4-hole rim mounted bath mixer, hand shower, Secuflex hose set
- / projection 190 mm
- / 2 functions
- / diversion between outlets via diverter knob
- / spray type mixer: laminar spray
- / spray type hand shower: Rain, RainAir, WhirlAir

- / maximum pull-out length of hand shower: 1.10 m
- / maximum flow rate at 3 bar: 20 l/min
- / flow rate for bath spout at 3 bar: 20 l/min
- / flow rate of hand shower at 3 bar: 14 l/min
- / min. operating pressure: 1 bar
- / max. operating pressure: 10 bar
- / Safety stop at 40 °C

- / temperature limitation adjustable
- / non-return valve
- / with automatic resetting
- / with silencer
- / connection dimension: DN15
- / connection type: basic set
- / rim mounted



Sustainability



Technologies



Spray types



Finish	Code no.
Chrome	36411000
Brushed Bronze	36411140
Brushed Black Chrome	36411340
Matt Black	36411670
AXOR FinishPlus*	36411XXX

Consisting of:



AXOR ShowerSolutions Hand shower 120 3jet

Included in	Code no.
36411XXX	26050XXX

Required parts:



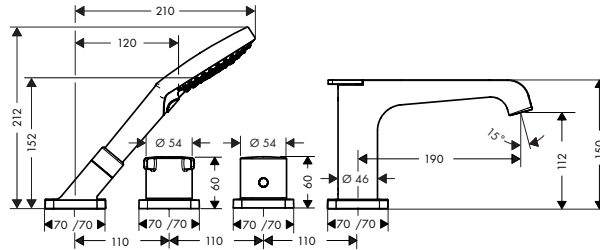
Basic set for 4-hole rim mounted thermostatic bath mixer

Code no.
15482180

4-hole tile mounted thermostatic bath mixer

Features

- / consists of: 4-hole tile mounted bath mixer, hand shower, Secuflex hose set
- / projection 190 mm
- / 2 functions
- / diversion between outlets via diverter knob
- / spray type mixer: laminar spray
- / spray type hand shower: Rain, RainAir, WhirlAir
- / maximum pull-out length of hand shower: 1.10 m
- / maximum flow rate at 3 bar: 20 l/min
- / flow rate for bath spout at 3 bar: 20 l/min
- / flow rate of hand shower at 3 bar: 14 l/min
- / min. operating pressure: 1 bar
- / max. operating pressure: 10 bar
- / Safety stop at 40 °C
- / temperature limitation adjustable
- / non-return valve
- / with automatic resetting
- / with silencer
- / connection dimension: DN15
- / connection type: basic set
- / tile mounted



Sustainability



Technologies



Spray types



Finish	Code no.
Chrome	36410000
Brushed Bronze	36410140
Brushed Black Chrome	36410340
Matt Black	36410670
AXOR FinishPlus*	36410XXX

Consisting of:



AXOR ShowerSolutions Hand shower 120 3jet

Included in	Code no.
36410XXX	26050XXX

Required parts:



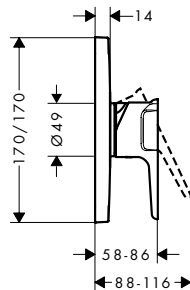
Basic set for 4-hole tile mounted thermostatic bath mixer

Code no.
15483180

Single lever shower mixer for concealed installation

Features

- / 1 function
- / maximum flow rate at 3 bar: 29 l/min
- / ceramic cartridge
- / temperature limitation adjustable
- / with silencer
- / suitable for continuous flow water heaters
- / min. operating pressure: 1 bar
- / max. operating pressure: 10 bar
- / connection type: basic set



Finish	Code no.
Chrome	36655000
Brushed Bronze	36655140
Brushed Black Chrome	36655340
Matt Black	36655670
AXOR FinishPlus*	36655XXX

Required parts (choose one):

Option 1



AXOR iBox universal 2 Basic set

Code no.
01400180

+



Adapter plate for iBox universal 2

13588000

Option 2



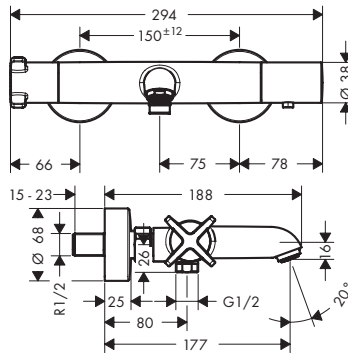
AXOR iBox universal Basic set

01700180

Bath thermostat for exposed installation

Features

- / projection 177 mm
- / 2 functions
- / thermostat cartridge, shut-off/ diverter valve
- / spray type spout: normal spray
- / maximum flow rate at 3 bar: 21 l/min
- / flow rate for bath spout at 3 bar: 21 l/min
- / flow rate of hand shower at 3 bar: 17 l/min
- / min. operating pressure: 1 bar
- / max. operating pressure: 10 bar
- / Safety stop at 40 °C
- / temperature limitation adjustable
- / non-return valve
- / with silencer
- / connection dimension: DN15
- / connection type: S-connections
- / centre distance: 150 ± 16 mm



Sustainability



Technologies

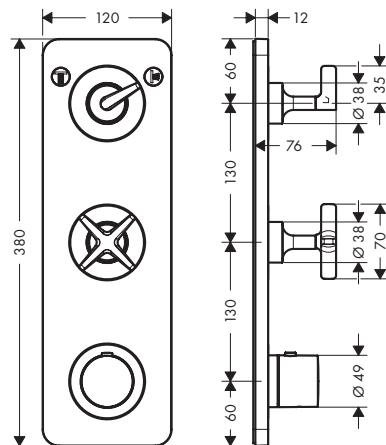


Finish	Code no.
Chrome	36140000
Brushed Bronze	36140140
Brushed Black Chrome	36140340
AXOR FinishPlus*	36140XXX

Thermostatic module 380/120 for concealed installation for 2 functions with plate

Features

- / 2 functions
- / simultaneous utilization of 2 functions
- / thermostat cartridge
- / flow rate upper outlet: 42 l/min
- / flow rate lower outlet: 40 l/min
- / maximum flow rate at 3 bar: 42 l/min
- / min. operating pressure: 1 bar
- / max. operating pressure: 10 bar
- / combination of highflow thermostat with shut-off valve and Duo diverter valve for controlling 2 consumers
- / Safety stop at 40 °C
- / temperature limitation adjustable
- / connection dimension: DN20
- / connection type: basic set



Sustainability



Technologies



Certificates/declarations



Finish	Code no.
Chrome	36703000
Brushed Bronze	36703140
Brushed Black Chrome	36703340
Matt Black	36703670
AXOR FinishPlus*	36703XXX

Required parts:



AXOR Citterio E Basic set for thermostatic module 380/120 for concealed installation for 2 functions

Code no.

36701180

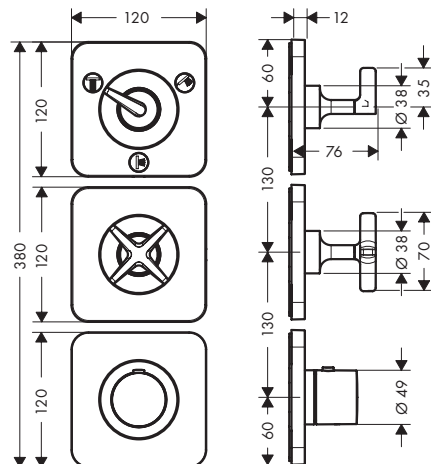
Thermostatic module 380/120 for concealed installation for 3 functions with escutcheons

Features

/ consists of: shower thermostat, shut-off valve, diverter valve
 / simultaneous utilization of 2 functions
 / thermostat cartridge
 / flow rate lower outlet: 37,9 l/min
 / Flow rate left and right: 37,9 l/min

/ maximum flow rate at 3 bar: 42 l/min
 / min. operating pressure: 1 bar
 / max. operating pressure: 10 bar
 / combination of highflow thermostat with shut-off valve and Quattro diverter valve for controlling 3 consumers

/ Safety stop at 40 °C
 / temperature limitation adjustable
 / connection dimension: DN20
 / connection type: basic set



Sustainability



Technologies



Certificates/declarations



Finish	Code no.
Chrome	36704000
Brushed Bronze	36704140
Brushed Black Chrome	36704340
Matt Black	36704670
AXOR FinishPlus*	36704XXX

Consisting of:		Included in	Code no.
	AXOR Citterio E Thermostat 120/120 for concealed installation	36704XXX	36702XXX
	AXOR Citterio E Shut-off valve 120/120 for concealed installation	36704XXX	36771XXX
	AXOR Citterio E Shut-off/ diverter valve Trio/ Quattro 120/120 for concealed installation	36704XXX	36772XXX
Required parts:		Code no.	
	AXOR Citterio E Basic set for thermostatic module 380/120 for concealed installation for 3 functions	36708180	

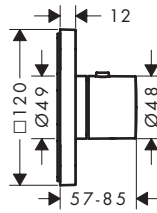
Thermostat 120/120 for concealed installation

Features

/ thermostat cartridge
/ maximum flow rate at 3 bar: 59 l/min
/ min. operating pressure: 1,5 bar

/ max. operating pressure: 10 bar
/ Safety stop at 40 °C
/ temperature limitation adjustable

/ connection dimension: DN20
/ connection type: basic set



Technologies



Finish	Code no.
Chrome	36702000
Brushed Bronze	36702140
Brushed Black Chrome	36702340
Matt Black	36702670
AXOR FinishPlus*	36702XXX

Required parts:

	Code no.
AXOR ShowerSolutions Basic set for thermostatic module 120/120 for concealed installation	10754180

Optional parts:

	Finish	Code no.
AXOR ShowerSolutions Extension set 25 mm for thermostatic module	Chrome	10790000
	AXOR FinishPlus*	10790XXX

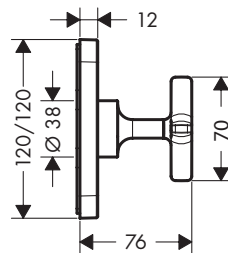
Shut-off valve 120/120 for concealed installation

Features

/ connection type: basic set
/ in a freely arranged installation, basic sets no.16973180, no.16974180 or no.16970180 can also be used

/ in a joined installation (10 mm distance) with no.36703000 or no.36704000, the basic set no.10971180 must be used

/ in a joined installation (10 mm distance) with no.36702000 and no.36772000, the thermostat module finish set for 3 consumers with 3 escutcheons 12x12 no.36704000 and the basic set no.36708180 must be used
/ noise class: II



Finish	Code no.
Chrome	36771000
Brushed Bronze	36771140
Brushed Black Chrome	36771340
Matt Black	36771670
AXOR FinishPlus*	36771XXX

Required parts (choose one):

	Code no.
Basic set 130 l/min for shut-off valve for concealed installation spindle	16970180
Basic set 40 l/min for shut-off valve for concealed installation ceramic	16974180
AXOR ShowerSolutions Basic set for shut-off valve 120/120 for concealed installation	10971180
Basic set 52 l/min for shut-off valve for concealed installation spindle	16973180

For more information about this product, please see the next page.

Shut-off valve 120/120 for concealed installation

Optional parts:		Code no.
	Extension set 25 mm for shut-off/ diverter valve Trio-/ Quattro	92990000

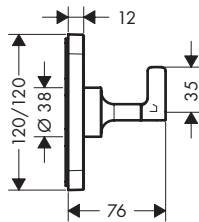
Shut-off/ diverter valve Trio/ Quattro 120/120 for concealed installation






Features





/ 3 consumers: in a joined installation (10 mm distance) with no.36702000 and no.36771000, please use the thermostat module finish set for 3 consumers with 3 escutcheons 12x12 no.36704000 and the basic set no.36708180

/ 3 consumers: in a freely-arranged installation (distance greater than 10 mm), the basic set no.15930180 must be used
 / 2 consumers: in a joined installation (10 mm distance) with no.36702000, the basic set no.36770180 must be used

/ 2 consumers: in a freely-arranged installation (distance greater than 10 mm), the basic set no.15981180 must be used
 / 3 functions
 / simultaneous utilization of 2 functions
 / connection dimension: DN15



Finish	Code no.
 Chrome	36772000
 Brushed Bronze	36772140
 Brushed Black Chrome	36772340
 Matt Black	36772670
 AXOR FinishPlus*	36772XXX

⚠ Required parts (choose one):		Code no.
	AXOR Citterio E Basic set for shut-off/ diverter valve Trio 120/120 for concealed installation	36770180
	Basic set for shut-off/ diverter valve Trio for concealed installation	16982180
	Basic set for Quattro four-way diverter valve for concealed installation	16930180
Optional parts:		Code no.
	Extension set 25 mm for shut-off/ diverter valve Trio-/ Quattro	92990000

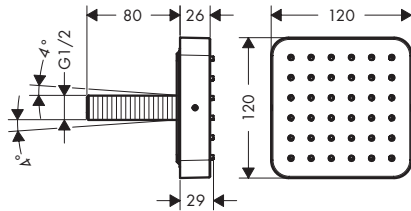
Shower module 120/120 for concealed installation softsquare

Features

- / shower head size: 120 mm
- / spray type: Rain
- / spray angle adjustable in five steps
- / field of application: functions as overhead, shoulder or side shower
- / maximum flow rate at 3 bar: 5,3 l/min
- / flow rate Rain spray at 3 bar: 5,3 l/min
- / minimum flow pressure: 1 bar

- / operating pressure: min. 1 bar/max. 6 bar
- / connection thread: G 1/2
- / in a joined installation (10 mm distance), the basic set no.28486180 must be used
- / in a freely arranged installation, connection via a G 1/2 connecting thread is possible

- / if installed as an overhead shower with several joint modules, the use of installation aid no.28470180 is recommended
- / suitable for continuous flow water heaters
- / connection dimension: DN15
- / material: metal
- / EU taxonomy: max. 6 l/min - Substantial Contribution (SC) possible



Sustainability



Technologies





Spray types



Finish	Code no.
Chrome	36822000
Brushed Bronze	36822140
Brushed Black Chrome	36822340
AXOR FinishPlus*	36822XXX

Optional parts:

		Code no.
	AXOR ShowerSolutions Installation part	28470180
	AXOR ShowerSolutions Basic set for shower module 120/120 for concealed installation	28486180

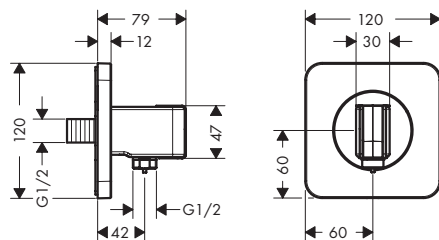
Porter unit 120/120 softsquare

Features

- / integrated support function
- / metal connection angle
- / non-return valve
- / connection type: G 1/2


- / for shower hoses with a conical nut
- / in a joined installation (10 mm distance) we recommend for perfect handling only the horizontal installation

- / in a joined installation (10 mm distance), the basic set no.28486180 must be used
- / in a freely-arranged installation (distance greater than 10 mm), no basic set is required



Finish	Code no.
Chrome	36724000
Brushed Bronze	36724140
Brushed Black Chrome	36724340
Matt Black	36724670
Polished Gold Optic	36724990
AXOR FinishPlus*	36724XXX

Optional parts:

		Code no.
	AXOR ShowerSolutions Basic set for shower module 120/120 for concealed installation	28486180

*AXOR FinishPlus: For further AXOR FinishPlus surfaces please see the AXOR FinishPlus overview on page 33.

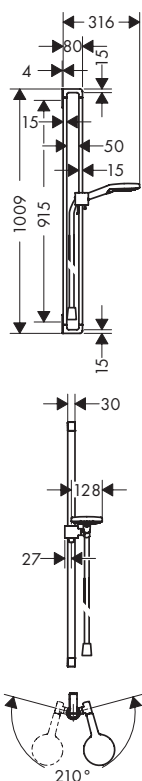
Shower set 0.90 m with hand shower 120 3jet

Features

- / consists of: hand shower, shower bar, shower hose, slider
- / shower head size: 120 mm
- / spray type: Rain, RainAir, WhirlAir
- / convenient spray selection via Select button

- / QuickClean: Limescale deposits can simply be rubbed off with your finger
- / maximum flow rate at 3 bar: 15 l/min
- / minimum flow pressure: 1 bar
- / operating pressure: min. 1 bar/max. 6 bar

- / wall supports of metal
- / bar width: 30 mm
- / drilling distance: 915 mm
- / pivot connector prevents hose from tangling



Technologies



Spray types



Finish	Code no.
Chrome	36735000
Brushed Bronze	36735140
Brushed Black Chrome	36735340
Polished Gold Optic	36735990
AXOR FinishPlus*	36735XXX

Consisting of:		Included in	Code no.
	AXOR ShowerSolutions Hand shower 120 3jet	36735XXX	26050XXX
	AXOR Citterio E Shower slider	36735XXX	92726XXX
	Metal effect shower hose 1.60 m with conical nuts	36735XXX	28626XXX

Optional parts:		Finish	Code no.
	AXOR Universal Softsquare Cover for rail	Chrome	42871000
		Brushed Bronze	42871140
		Brushed Black Chrome	42871340
		Polished Gold Optic	42871990
		AXOR FinishPlus*	42871XXX

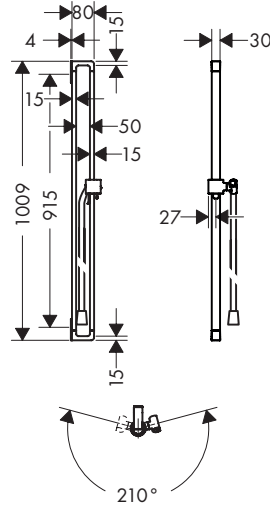
Shower bar 0.90 m with shower hose 1.60 m

Features

/ consists of: shower bar, shower hose, slider
 / pivot connector prevents hose from tangling
 / support for shower hose with conical nuts
 / slider moves sideways, up/down and pivots

/ bar width: 30 mm
 / profile pipe: square
 / drilling distance: 915 mm
 / shower hose length: 1600 mm

/ metal hand shower holder
 / slider steplessly adjustable
 / silent inclination angle adjustment
 / wall supports of metal



Finish	Code no.
Chrome	36736000
Brushed Bronze	36736140
Brushed Black Chrome	36736340
Polished Gold Optic	36736990
AXOR FinishPlus*	36736XXX

Consisting of:

	Included in	Code no.
 Metal effect shower hose 1.60 m with conical nuts	36736XXX	28626XXX

Optional parts:

	Finish	Code no.
 AXOR Universal Softsquare Cover for rail	Chrome	42871000
	Brushed Bronze	42871140
	Brushed Black Chrome	42871340
	Polished Gold Optic	42871990
	AXOR FinishPlus*	42871XXX

*AXOR FinishPlus: For further AXOR FinishPlus surfaces please see the AXOR FinishPlus overview on page 33.

Possible product combinations

Showers



AXOR ShowerSolutions

Overhead shower 460/300 3jet with shower arm and softsquare escutcheon

#35276XXX

page 473



AXOR Citterio C

Overhead shower 270/270 1jet EcoSmart with shower arm

#28791XXX

page 114



AXOR One

Overhead shower 280 1jet with ceiling connection

#48493XXX

page 143

Shower controls



AXOR ShowerSelect ID

Thermostat for concealed installation softsquare for 2 functions

#36754XXX

page 109



AXOR One

Thermostatic module for concealed installation for 2 functions

#45712XXX

page 137

Further complementary products



AXOR Universal Softsquare

Rail bath towel holder 600 mm

#42832XXX

page 620



AXOR Suite Basins & Bathtub

Wash bowl 400 without tap hole and overflow

#42001XXX

page 656



AXOR Drain

Finish set shower drain 700

#42520XXX

page 688





- Basin
- Bidet
- Bath
- Shower
- Thermostatic mixers / valves / diverters

AXOR CITTERIO M

DESIGN
—
ANTONIO CITTERIO



“If I have only a small space available, it is even more important that I furnish it with carefully selected, valuable objects—such as AXOR Citterio M.”

ANTONIO CITTERIO

AXOR Citterio M

The essence of elegance

M as in metropolis. AXOR Citterio M stands for cultivated, urban living. With simple, slim forms and clearly defined lines, the collection is an expression of modern, urban elegance. With a quiet and understated presence in the bathroom. A masterpiece, offering an everyday retreat from the frenetic pace of the city.

Design: Antonio Citterio and Toan Nguyen

Characteristic design feature:

Clear, svelte, quiet and understated: characteristically slim, simple, cylindrical forms and elegant surfaces

The designer's idea:

A symbol for urbanization: AXOR Citterio M is a collection that meets the demands of modern, urban life. All with modern elegance and slender forms

Special collection highlights:

- / Variants: single lever, two-hole and three-hole mixers
- / Clear, easy operation with flat lever handles
- / Timeless urban design: space-saving wall-mounted mixers, understated elements for the bathroom
- / Perfect form: the first AXOR mixer with a fully integrated spray former
- / AXOR Citterio M, the second collection in cooperation with Antonio Citterio, was introduced in 2008



Delicate and understated design for the modern metropolis

AXOR Citterio M—a bathroom collection inspired by modern city life. M as in modernity. Metropolis. Milan. With characteristically slim forms, the overall impression is particularly elegant and a nod to Italian design. The collection fits easily and seamlessly into a variety of bathroom furnishings and lifestyles. The slim, single lever mixer with a flat handle and striking spout is both modern and timeless. Combinations are possible with wash basins of nearly any form with this extraordinary classic and elegant design.

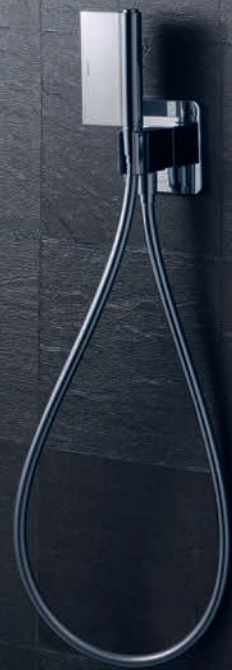
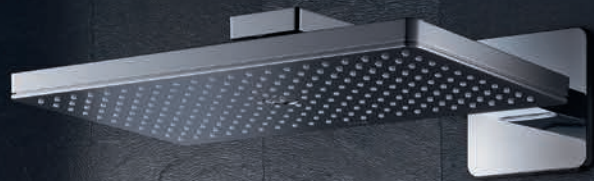


Classic in function, modern in design: The mixer comes to life in the tension between its traditional three-hole arrangement and the clear, uncomplicated form.



Urban chic in all of its rich variations:
 With its various design versions,
 the concealed, wall-mounted mixer
 offers a modern, space saving
 solution.





Modern design for the bathtub

The intricately designed AXOR Citterio M four-hole rim-mounted mixer is the ideal product choice for the tub in modern bathrooms. The lever handles—shaped like halves of a river pebble—offer ergonomic operation, like a caress for the hands. AXOR Citterio M meets all the requirements of urban living for a variety of applications in the bathroom.



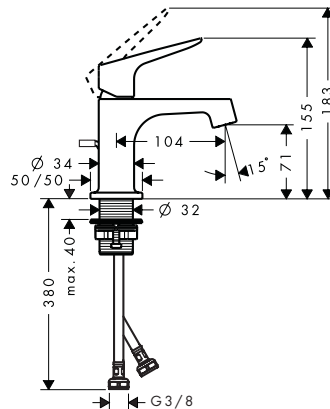
Single lever basin mixer 70 for hand wash basins with pop-up waste set

Features

/ consists of: single lever basin mixer, waste set
 / ComfortZone: 70
 / projection: 104 mm
 / spout height: 71 mm
 / handle variant: lever handle

/ spray type: normal spray
 / maximum flow rate at 3 bar: 5 l/min
 / ceramic cartridge
 / temperature limitation adjustable
 / suitable for continuous flow water heaters

/ pop-up waste set G 1 1/4
 / connection type: G 3/8 hose connections
 / connection dimension: DN 15
 / EU taxonomy: max. 6 l/min - Substantial Contribution (SC) possible



Sustainability



Technologies



Finish	Code no.
Chrome	34016000
AXOR FinishPlus*	34016XXX

Single lever basin mixers

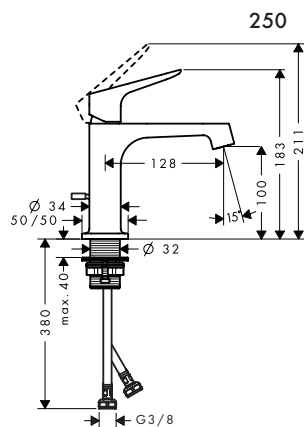
Features of all variants

/ consists of: single lever basin mixer, waste set
 / handle variant: lever handle
 / spray type: normal spray
 / maximum flow rate at 3 bar: 5 l/min

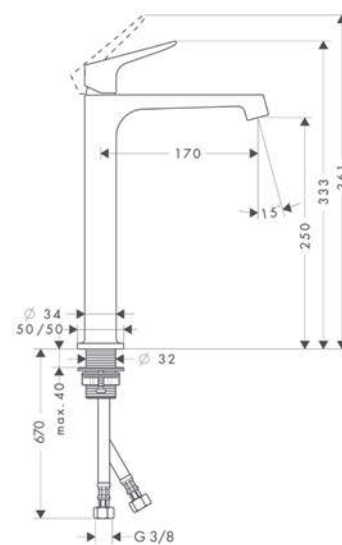
/ ceramic cartridge
 / temperature limitation adjustable
 / suitable for continuous flow water heaters
 / connection type: G 3/8 hose connections

/ connection dimension: DN 15
 / EU taxonomy: max. 6 l/min - Substantial Contribution (SC) possible

100



250



Sustainability



Technologies



Certificates/declarations



Overview variants

ComfortZone	Projection (mm)	Spout height (mm)	Waste set	For wash bowls	Finish	Code no.
100	128	100	pop-up	–	Chrome	34010000
					AXOR FinishPlus*	34010XXX
100	128	100	non-closing	–	Chrome	34017000
					AXOR FinishPlus*	34017XXX
250	170	250	non-closing	■	Chrome	34127000
					AXOR FinishPlus*	34127XXX

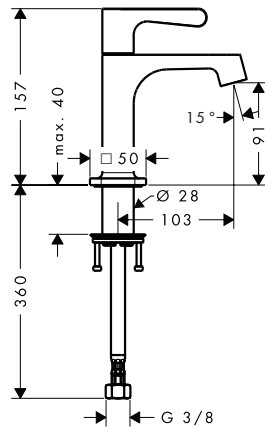
Pillar tap 90 without waste set

Features

- / ComfortZone: 90
- / projection: 103 mm
- / spout height: 91 mm
- / handle variant: lever handle

- / spray type: normal spray
- / maximum flow rate at 3 bar: 5 l/min
- / ceramic valves 90°
- / for cold water connection

- / connection type: G 3/8 hose connections
- / connection dimension: DN15
- / EU taxonomy: max. 6 l/min - Substantial Contribution (SC) possible



Sustainability



Technologies



Finish	Code no.
Chrome	34130000
AXOR FinishPlus*	34130XXX

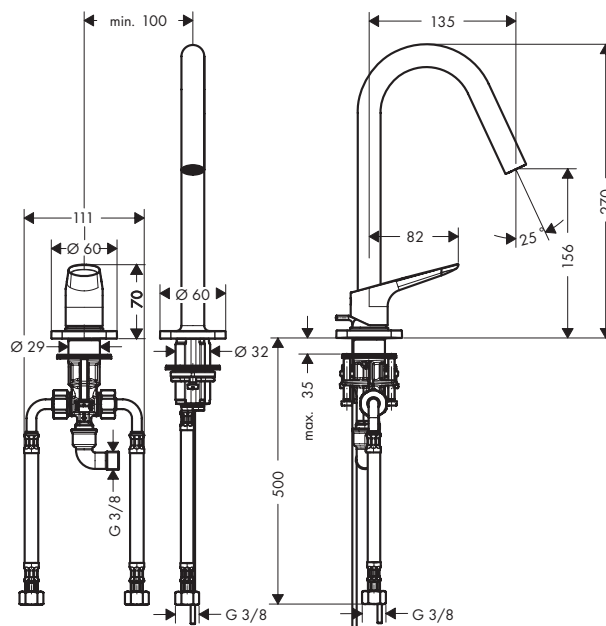
2-hole basin mixer 160 with pop-up waste set

Features

- / consists of: 2-hole basin mixer, waste set
- / ComfortZone: 160
- / projection: 135 mm
- / spout height: 156 mm
- / handle variant: lever handle
- / spray type: normal spray

- / maximum flow rate at 3 bar: 5 l/min
- / ceramic cartridge
- / temperature limitation adjustable
- / suitable for continuous flow water heaters
- / pop-up waste set G 1 1/4
- / connection type: G 3/8 hose connections

- / connection dimension: DN15
- / flexible arrangement of control unit and spout possible
- / EU taxonomy: max. 6 l/min - Substantial Contribution (SC) possible



Sustainability



Technologies



Finish	Code no.
Chrome	34132000
AXOR FinishPlus*	34132XXX

Optional parts:



Hose extension set for 2-hole basin mixer

Code no.
38960000

Single lever basin mixers for concealed installation wall-mounted with plate

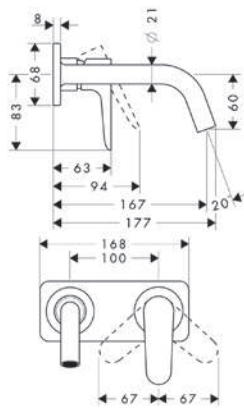
Features of all variants

/ consists of: single lever basin mixer for concealed installation wall-mounted, waste set
 / handle variant: lever handle
 / spray type: normal spray
 / maximum flow rate at 3 bar: 5 l/min

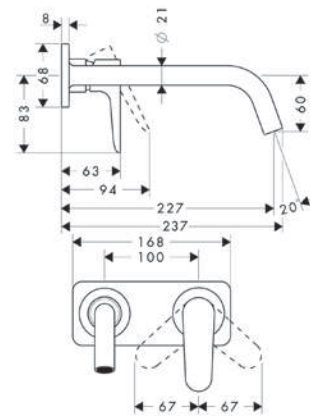
/ ceramic cartridge
 / temperature limitation adjustable
 / suitable for continuous flow water heaters
 / non-closing waste set
 / connection type: basic set

/ connection dimension: DN15
 / handle can be positioned on the right or left, depending on the basic set installation
 / EU taxonomy: max. 6 l/min - Substantial Contribution (SC) possible

167



227



Sustainability



Technologies



Overview variants

Projection (mm)	Finish	Code no.
167	Chrome	34112000
	AXOR FinishPlus*	34112XXX
227	Chrome	34115000
	AXOR FinishPlus*	34115XXX

Required parts:



Basic set for single lever basin mixer for concealed installation wall-mounted

Code no.

13623180

Optional parts:



Extension set 25 mm for single lever basin mixer wall-mounted

Code no.

13586000

Single lever basin mixers for concealed installation wall-mounted with escutcheons

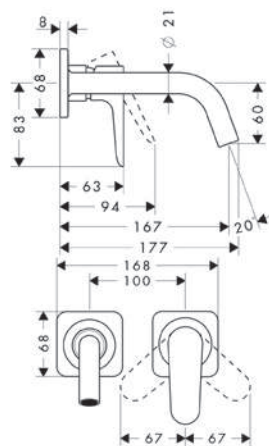
Features of all variants

/ consists of: single lever basin mixer for concealed installation wall-mounted, waste set
 / handle variant: lever handle
 / spray type: normal spray
 / maximum flow rate at 3 bar: 5 l/min

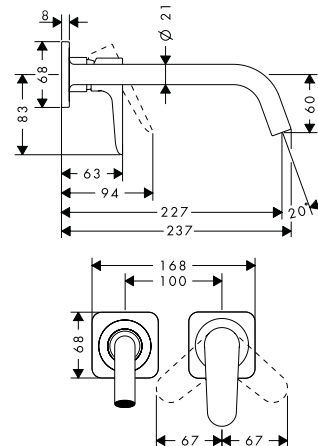
/ ceramic cartridge
 / temperature limitation adjustable
 / suitable for continuous flow water heaters
 / non-closing waste set
 / connection type: basic set

/ connection dimension: DN15
 / handle can be positioned on the right or left, depending on the basic set installation
 / EU taxonomy: max. 6 l/min - Substantial Contribution (SC) possible

167



227



Sustainability



Technologies



Single lever basin mixers for concealed installation wall-mounted with escutcheons

Overview variants

Projection (mm)	Finish	Code no.
167	Chrome	34113000
	AXOR FinishPlus*	34113XXX
227	Chrome	34116000
	AXOR FinishPlus*	34116XXX

Required parts:



Basic set for single lever basin mixer for concealed installation wall-mounted

Code no.

13623180

Optional parts:



Extension set 25 mm for single lever basin mixer wall-mounted

Code no.

13586000

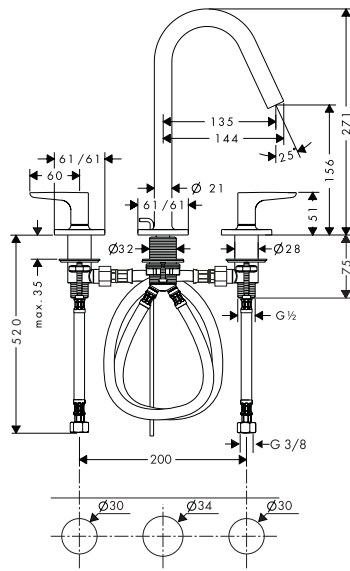
3-hole basin mixer 160 with lever handles, escutcheons and pop-up waste set

Features

/ consists of: 3-hole basin mixer, waste set
 / ComfortZone: 160
 / projection: 135 mm
 / spout height: 156 mm
 / handle variant: lever handle

/ spray type: normal spray
 / maximum flow rate at 3 bar: 5 l/min
 / ceramic valves hot/cold 90°
 / suitable for continuous flow water heaters
 / pop-up waste set G 1 1/4

/ connection type: G 3/8 hose connections
 / connection dimension: DN15
 / EU taxonomy: max. 6 l/min - Substantial Contribution (SC) possible



Sustainability



Technologies



Finish	Code no.
Chrome	34133000
AXOR FinishPlus*	34133XXX

Optional parts:



Hose extension set for 3-hole basin mixer

Code no.

38959000

3-hole basin mixers for concealed installation wall-mounted with escutcheons

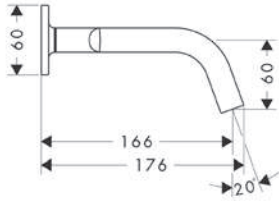
Features of all variants

/ consists of: 3-hole basin mixer for concealed installation wall-mounted, waste set
 / handle variant: lever handle
 / spray type: normal spray

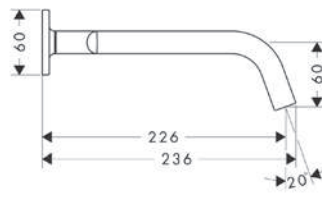
/ maximum flow rate at 3 bar: 5 l/min
 / ceramic valves hot/cold 90°
 / suitable for continuous flow water heaters
 / non-closing waste set

/ connection type: basic set
 / connection dimension: DN 15
 / EU taxonomy: max. 6 l/min - Substantial Contribution (SC) possible

166



226



Sustainability



Technologies



Overview variants

Projection (mm)	Finish	Code no.
166	Chrome	34313000
	AXOR FinishPlus*	34313XXX
226	Chrome	34315000
	AXOR FinishPlus*	34315XXX

Required parts:

	Code no.
Basic set for 3-hole basin mixer for concealed installation wall-mounted	10303180

Optional parts:

	Code no.
AXOR Starck Extension set 25 mm for basic set for 3-hole basin mixer wall-mounted	96259000
Seal	96383000

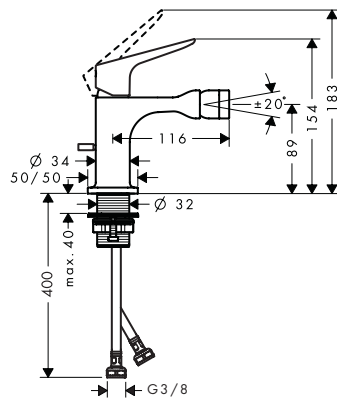
Single lever bidet mixer with pop-up waste set

Features

/ consists of: single lever bidet mixer, waste set
 / projection: 116 mm
 / aerator with ball pivot
 / spray type: normal spray

/ maximum flow rate at 3 bar: 7,2 l/min
 / ceramic cartridge
 / temperature limitation adjustable
 / suitable for continuous flow water heaters

/ pop-up waste set G 1¼
 / material waste set: metal
 / connection type: G ¾ hose connections
 / connection dimension: DN 15



Technologies



Finish	Code no.
Chrome	34210000
AXOR FinishPlus*	34210XXX

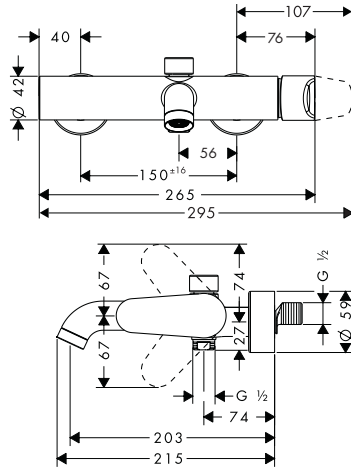
Single lever bath mixer for exposed installation

Features

- / 2 functions
- / projection: 200 mm
- / centre distance: 150 ± 16 mm
- / spray type mixer: normal spray
- / maximum flow rate at 3 bar: 22 l/min
- / flow rate for bath spout at 3 bar: 22 l/min

- / flow rate of hand shower at 3 bar: 16 l/min
- / ceramic cartridge
- / temperature limitation adjustable
- / diverter with automatic resetting
- / non-return valve
- / with silencer

- / suitable for continous flow water heaters
- / connection dimension: DN15
- / connection type: S-connections
- / wall-mounted
- / min. operating pressure: 1 bar
- / max. operating pressure: 10 bar



Technologies



Finish	Code no.
Chrome	34420000
AXOR FinishPlus*	34420XXX

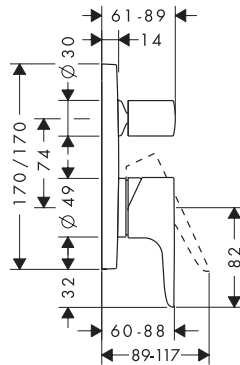
Single lever bath mixers for concealed installation

Features of all variants

- / 2 functions
- / ceramic cartridge
- / temperature limitation adjustable
- / diverter with automatic resetting




- / with silencer
- / suitable for continous flow water heaters
- / connection type: basic set
- / wall-mounted

- / min. operating pressure: 1 bar
- / max. operating pressure: 10 bar



Overview variants

Security combination EN 1717	Max. flow rate at 3 bar (l/min)	Finish	Code no.
-	29	Chrome	34425000
■	25	Chrome	34427000

⚠ Required parts (choose one):			Code no.	
Option 1		AXOR iBox universal 2 Basic set	01400180	
	+		Adapter plate for iBox universal 2	13588000
Option 2		AXOR iBox universal Basic set	01700180	

*AXOR FinishPlus: For further AXOR FinishPlus surfaces please see the AXOR FinishPlus overview on page 33.

AXOR Citterio M | Bath spout, 4-hole rim mounted bath mixer

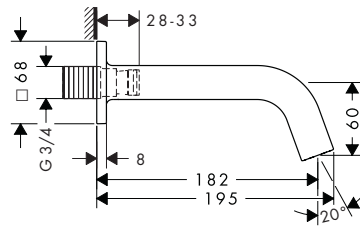
Bath spout

Features

/ 1 function
/ projection: 182 mm

/ maximum flow rate at 3 bar: 22 l/min
/ connection dimension: DN20

/ spray type: normal spray



Technologies



Finish	Code no.
Chrome	34410000
AXOR FinishPlus*	34410XXX

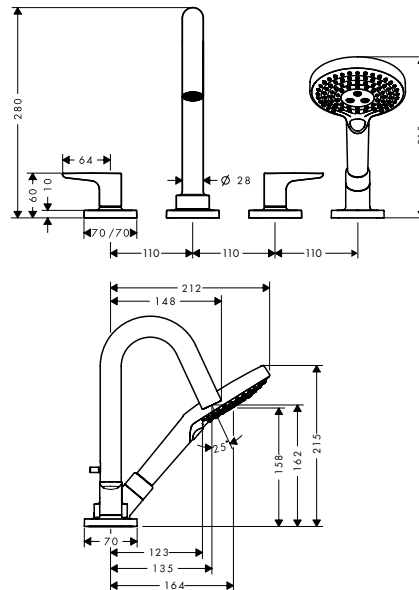
4-hole rim mounted bath mixer with lever handles and escutcheons

Features

/ consists of: 4-hole rim mounted bath mixer, hand shower, shower hose, shower holder
/ 2 functions
/ projection: 135 mm
/ spray type mixer: normal spray
/ spray type hand shower: Rain, RainAir, WhirlAir

/ maximum pull-out length of hand shower: 1.10 m
/ maximum flow rate at 3 bar: 20 l/min
/ flow rate for bath spout at 3 bar: 20 l/min
/ flow rate of hand shower at 3 bar: 18 l/min
/ ceramic valves hot/cold 90°
/ diverter with automatic resetting

/ non-return valve
/ connection dimension: DN15
/ connection type: basic set
/ installation on bath rim
/ min. operating pressure: 1 bar
/ max. operating pressure: 10 bar



Technologies



Spray types



Finish	Code no.
Chrome	34444000
AXOR FinishPlus*	34444XXX

Consisting of:



AXOR ShowerSolutions Hand shower 120 3jet

Included in	Code no.
34444XXX	26050XXX

Required parts:



Basic set for 4-hole rim mounted bath mixer

Code no.
15480180

Optional parts:



Secuflex insert extension

Code no.
98806000

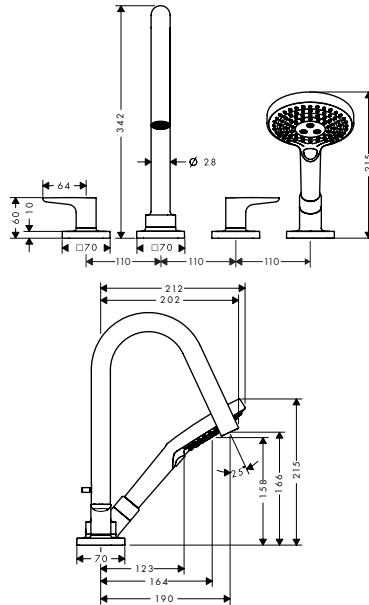
4-hole tile mounted bath mixer with lever handles and escutcheons

Features

- / consists of: 4-hole tile mounted bath mixer, hand shower, shower holder
- / 2 functions
- / projection: 190 mm
- / spray type mixer: normal spray
- / spray type hand shower: Rain, RainAir, WhirlAir
- / maximum pull-out length of hand shower: 1.10 m

- / maximum flow rate at 3 bar: 18 l/min
- / flow rate for bath spout at 3 bar: 21 l/min
- / flow rate of hand shower at 3 bar: 18 l/min
- / ceramic valves hot/cold 90°
- / diverter with automatic resetting
- / non-return valve
- / connection dimension: DN15

- / connection type: basic set
- / tile mounted
- / min. operating pressure: 1 bar
- / max. operating pressure: 10 bar
- / no additional maintenance opening required



Technologies



Spray types



Finish	Code no.
Chrome	34454000
AXOR FinishPlus*	34454XXX

Consisting of:



AXOR ShowerSolutions Hand shower 120 3jet

Included in	Code no.
34454XXX	26050XXX

Required parts:



Basic set for 4-hole tile mounted bath mixer

Code no.
15481180

Optional parts:



Secuflex insert extension

Code no.
98806000

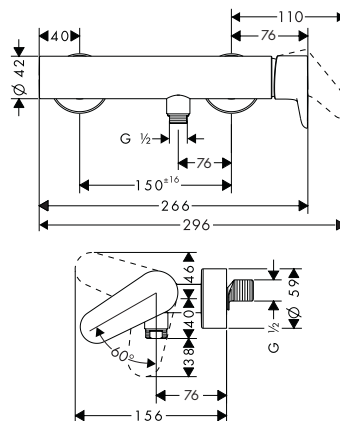
Single lever shower mixer for exposed installation

Features

- / 1 function
- / centre distance: 150 ± 16 mm
- / maximum flow rate at 3 bar: 26 l/min
- / flow rate of hand shower at 3 bar: 19 l/min
- / ceramic cartridge

- / temperature limitation adjustable
- / non-return valve
- / with silencer
- / suitable for continuous flow water heaters
- / hose connection DN15

- / connection dimension: DN15
- / min. operating pressure: 1 bar
- / max. operating pressure: 10 bar
- / connection type: S-connections

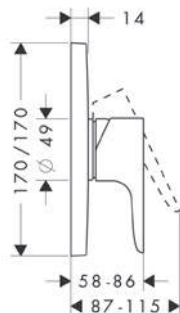


Finish	Code no.
Chrome	34620000
AXOR FinishPlus*	34620XXX

Single lever shower mixer for concealed installation

Features

- / 1 function
- / maximum flow rate at 3 bar: 29 l/min
- / ceramic cartridge
- / temperature limitation adjustable
- / with silencer
- / suitable for continuous flow water heaters
- / min. operating pressure: 1 bar
- / max. operating pressure: 10 bar
- / connection type: basic set



Finish	Code no.
Chrome	34625000
AXOR FinishPlus*	34625XXX

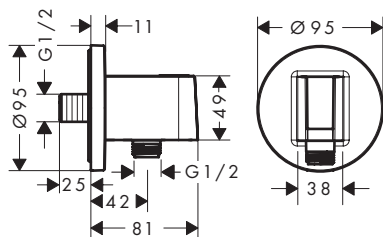
⚠ Required parts (choose one):		Code no.
Option 1	AXOR iBox universal 2 Basic set	01400180
+	Adapter plate for iBox universal 2	13588000
Option 2	AXOR iBox universal Basic set	01700180

Porter units

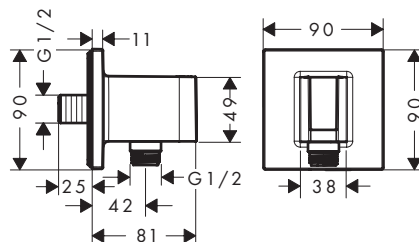
Features of all variants

- / integrated support function
- / metal housing with internal water supply made of plastic
- / non-return valve
- / connection type: G 1/2
- / for shower hoses with a conical nut
- / metal housing with internal water supply made of plastic

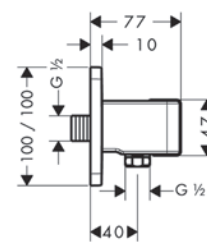
round



square



softsquare



Overview variants

Shape	Finish	Code no.
round	Chrome	36733000
	Brushed Black Chrome	36733340
	Matt Black	36733670
	AXOR FinishPlus*	36733XXX

Porter units

Overview variants

Shape	Finish	Code no.
square	Chrome	36734000
	Brushed Black Chrome	36734340
	Matt Black	36734670
	AXOR FinishPlus*	36734XXX
softsquare	Chrome	11626000
	Matt Black	11626670
	AXOR FinishPlus*	11626XXX

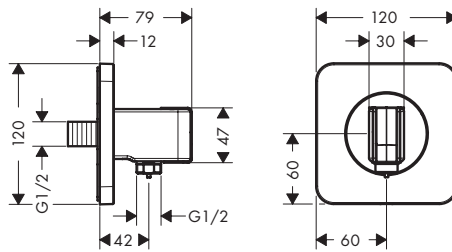
Porter unit 120/120 softsquare

Features

/ integrated support function
 / metal connection angle
 / non-return valve
 / connection type: G 1/2

/ for shower hoses with a conical nut
 / in a joined installation (10 mm distance) we recommend for perfect handling only the horizontal installation

/ in a joined installation (10 mm distance), the basic set no.28486180 must be used
 / in a freely-arranged installation (distance greater than 10 mm), no basic set is required



Finish	Code no.
Chrome	36724000
Brushed Bronze	36724140
Brushed Black Chrome	36724340
Matt Black	36724670
Polished Gold Optic	36724990
AXOR FinishPlus*	36724XXX

Optional parts:



AXOR ShowerSolutions Basic set for shower module 120/120 for concealed installation

Code no.

28486180

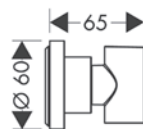
Shower holder round

Features

/ fixed holding position
 / for shower hoses with conical nut
 / material: metal

/ conical mount
 / dimensions: 60 x 60 x 65 mm (HxWxD)
 / diameter drill hole: 6 mm

/ 2 drill holes



Finish	Code no.
Chrome	39525000
Brushed Bronze	39525140
Brushed Black Chrome	39525340
Polished Gold Optic	39525990
AXOR FinishPlus*	39525XXX

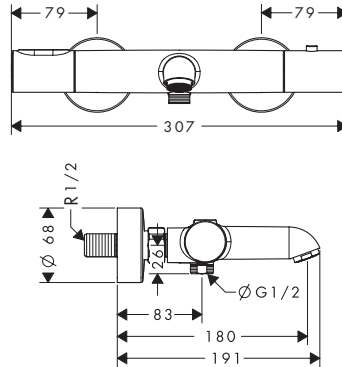
Bath thermostat for exposed installation

Features

- / projection 180 mm
- / 2 functions
- / thermostat cartridge, shut-off/ diverter valve
- / spray type spout: normal spray
- / maximum flow rate at 3 bar: 21 l/min
- / flow rate for bath spout at 3 bar: 21 l/min

- / flow rate of hand shower at 3 bar: 17 l/min
- / min. operating pressure: 1 bar
- / max. operating pressure: 10 bar
- / Safety stop at 40 °C
- / temperature limitation adjustable
- / non-return valve

- / with silencer
- / connection dimension: DN 15
- / connection type: S-connections
- / centre distance: 150 ± 12 mm



Sustainability



Technologies



Finish	Code no.
Chrome	34435000
AXOR FinishPlus*	34435XXX

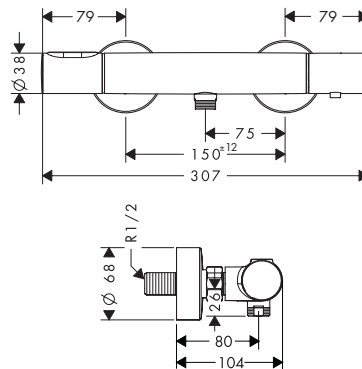
Shower thermostat for exposed installation

Features

- / 1 function
- / thermostat cartridge, ceramic valve 180°
- / maximum flow rate at 3 bar: 20 l/min
- / min. operating pressure: 1 bar

- / max. operating pressure: 10 bar
- / Safety stop at 40 °C
- / temperature limitation adjustable
- / non-return valve

- / with silencer
- / centre distance: 150 ± 12 mm
- / connection dimension: DN 15
- / connection type: S-connections



Sustainability



Technologies



Certificates/declarations



Finish	Code no.
Chrome	34635000
AXOR FinishPlus*	34635XXX

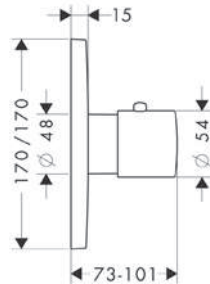
Thermostat HighFlow for concealed installation

Features

/ 1 function
/ thermostat cartridge
/ flow rate upper outlet: 42 l/min
/ flow rate lower outlet: 42 l/min

/ maximum flow rate at 3 bar: 59 l/min
/ min. operating pressure: 1 bar
/ max. operating pressure: 10 bar
/ Safety stop at 40 °C

/ temperature limitation adjustable
/ with silencer
/ connection type: basic set



Technologies



Finish	Code no.
Chrome	34716000
AXOR FinishPlus*	34716XXX

Required parts (choose one):

Option	Image	Description	Code no.
Option 1		AXOR iBox universal 2 Basic set	01400180
	+		
		Adapter plate for iBox universal 2	13588000
Option 2		AXOR iBox universal Basic set	01700180

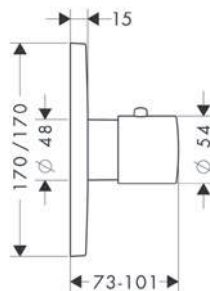
Thermostat for concealed installation

Features

/ 1 function
/ thermostat cartridge
/ maximum flow rate at 3 bar: 43 l/min

/ min. operating pressure: 1 bar
/ max. operating pressure: 10 bar
/ Safety stop at 40 °C

/ temperature limitation adjustable
/ with silencer
/ connection type: basic set



Technologies



Finish	Code no.
Chrome	34715000
AXOR FinishPlus*	34715XXX

Required parts (choose one):

Option	Image	Description	Code no.
Option 1		AXOR iBox universal 2 Basic set	01400180
	+		
		Adapter plate for iBox universal 2	13588000
Option 2		AXOR iBox universal Basic set	01700180

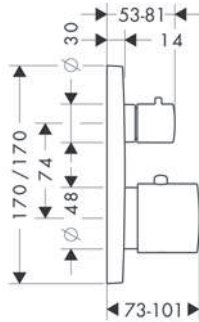
Thermostat for concealed installation with shut-off valve

Features

/ 1 function
 / thermostat cartridge, ceramic valves 90°
 / flow rate upper outlet: 25 l/min
 / flow rate lower outlet: 25 l/min

/ maximum flow rate at 3 bar: 25 l/min
 / min. operating pressure: 1 bar
 / max. operating pressure: 10 bar
 / Safety stop at 40 °C

/ temperature limitation adjustable
 / with silencer
 / connection type: basic set



Sustainability



Technologies



Certificates/declarations



Finish	Code no.
Chrome	34705000
AXOR FinishPlus*	34705XXX

Required parts (choose one):

Option	Image	Description	Code no.
Option 1		AXOR iBox universal 2 Basic set	01400180
	+	Adapter plate for iBox universal 2	13588000
Option 2		AXOR iBox universal Basic set	01700180

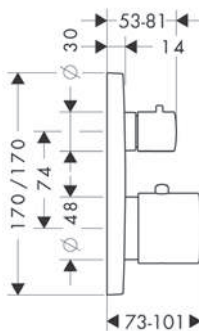
Thermostat for concealed installation with shut-off/ diverter valve

Features

/ 2 functions
 / thermostat cartridge, shut-off valve
 / flow rate upper outlet: 25 l/min
 / flow rate lower outlet: 29 l/min

/ maximum flow rate at 3 bar: 29 l/min
 / min. operating pressure: 1 bar
 / max. operating pressure: 10 bar
 / Safety stop at 40 °C

/ temperature limitation adjustable
 / with silencer
 / connection type: basic set



Sustainability



Technologies



Certificates/declarations



Finish	Code no.
Chrome	34725000
AXOR FinishPlus*	34725XXX

Required parts (choose one):

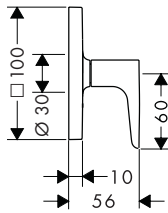
Option	Image	Description	Code no.
Option 1		AXOR iBox universal 2 Basic set	01400180
	+	Adapter plate for iBox universal 2	13588000
Option 2		AXOR iBox universal Basic set	01700180

Shut-off valve for concealed installation with lever handle

Features

/ connection type: DN15/DN20

/ noise class: II



Finish	Code no.
Chrome	34960000
AXOR FinishPlus*	34960XXX

⚠ Required parts (choose one):

		Code no.
	Basic set 40 l/min for shut-off valve for concealed installation ceramic	16974180
	Basic set 130 l/min for shut-off valve for concealed installation spindle	16970180
	Basic set 52 l/min for shut-off valve for concealed installation spindle	16973180

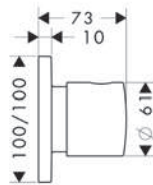
Optional parts:

		Code no.
	Extension set 25 mm for shut-off/ diverter valve Trio-/ Quattro	92990000

Shut-off/ diverter valve Trio/ Quattro for concealed installation

Features

/ connection dimension: DN20



Finish	Code no.
Chrome	34920000
AXOR FinishPlus*	34920XXX

⚠ Required parts (choose one):

		Code no.
	Basic set for Quattro four-way diverter valve for concealed installation	16930180
	Basic set for shut-off/ diverter valve Trio for concealed installation	16982180

Optional parts:

		Code no.
	Extension set 25 mm for shut-off/ diverter valve Trio-/ Quattro	92990000

Possible product combinations

Showers



AXOR Citterio C

Overhead shower 270/270 1jet EcoSmart with shower arm

#28791XXX

page 114



AXOR One

Overhead shower 280 1jet with ceiling connection

#48493XXX

page 143



AXOR ShowerSolutions

Overhead shower 220 1jet EcoSmart

#35383XXX

page 480

Shower controls



AXOR ShowerSelect ID

Thermostat for concealed installation softsquare for 2 functions

#36754XXX

page 109



AXOR One

Thermostatic module for concealed installation for 2 functions

#45712XXX

page 137

Further complementary products



AXOR Universal Softsquare

Rail bath towel holder 600 mm

#42832XXX

page 620



AXOR Suite Basins & Bathtub

Wash bowl 400 without tap hole and overflow

#42001XXX

page 656



AXOR Drain

Finish set shower drain 700

#42520XXX

page 688





Basin

Wash bowls and wash basin

Bidet

Bath

Shower

Thermostatic mixers

AXOR URQUIOLA

DESIGN

—

PATRICIA URQUIOLA





“Little memories and personal objects are what make a room feel like home. The mixer has to be personal, just as with AXOR Urquiola.”

PATRICIA URQUIOLA

AXOR Urquiola

Poetry for the senses

AXOR Urquiola is a multi-faceted collection that embodies eclectic design principles. A skillful mix of styles and influences, a fascinating interplay of references and symbols, a harmonious whole created from distinct elements and interesting details. A variety of forms—asymmetrical and flat—come together to form something new and unique. Simultaneously sensuous and functional. An expression of the great art of style fusion.

Design: Patricia Urquiola

Characteristic design feature:

Skillful style fusion: With its asymmetries and flat surfaces, intricate details, radii and the skillful interplay of various forms, the collection expresses the unexpected. This is eclecticism. Yet the collection, while surprising, is harmonious and sensuous in its overall look.

The designer's idea:

Elements and impressions of life come together naturally—everything in harmony.

Special collection highlights:

- / Eclecticism: a fusion of various style elements that invokes the unconventional
- / AXOR Urquiola is characterized by expansive surfaces, extraordinary details and a sensual look
- / This elegant design features handles with large openings for a delicate overall impression, despite the amplitude of the basic form
- / Sink and bath tub in a reinterpreted form of the historical washtub
- / AXOR Urquiola is the realization of Patricia Urquiola's vision of the bathroom, which was conceptualized as part of the AXOR WaterDreams

A fusion of styles and elements

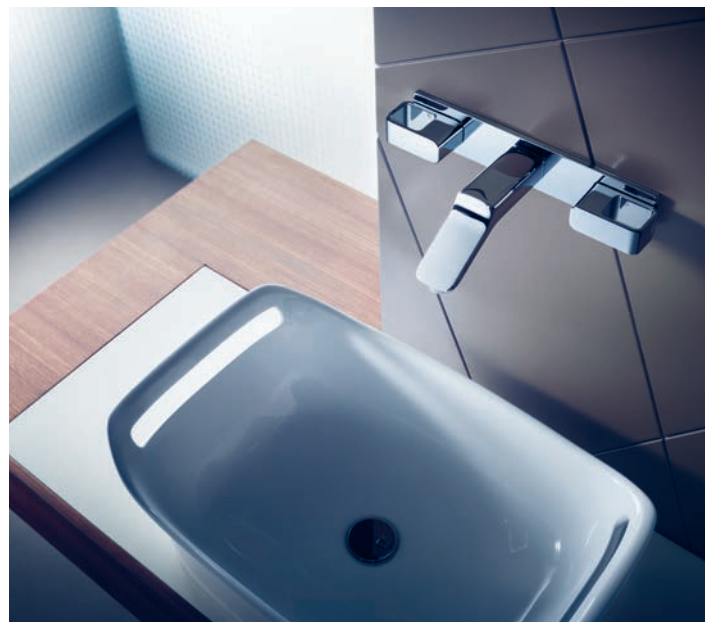
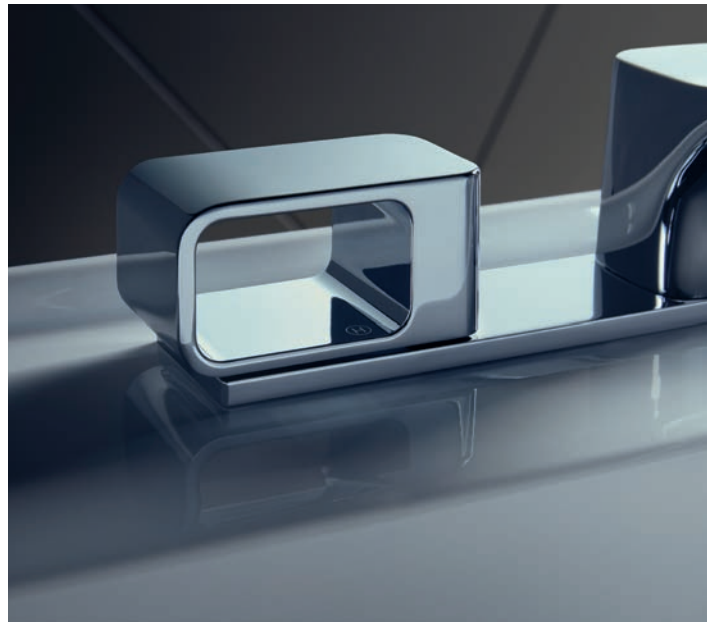
The shifting interplay of personal memories and impressions forms the basis of the AXOR Urquiola collection. Abandoning conformity, convention and rigid structures. Embracing multifaceted, richly detailed worlds of style full of sensuality and powerful energy. With its lively style mixture, AXOR Urquiola offers a new freedom to create individually designed oasis in which the details fuse together into a harmonious whole.





The noble, luxurious surfaces, the soft shapes and flowing transitions accentuate the collection's air of harmony and variety.

The generously sized openings in the handles, an overall design feature, enable intuitive, ergonomic operation.

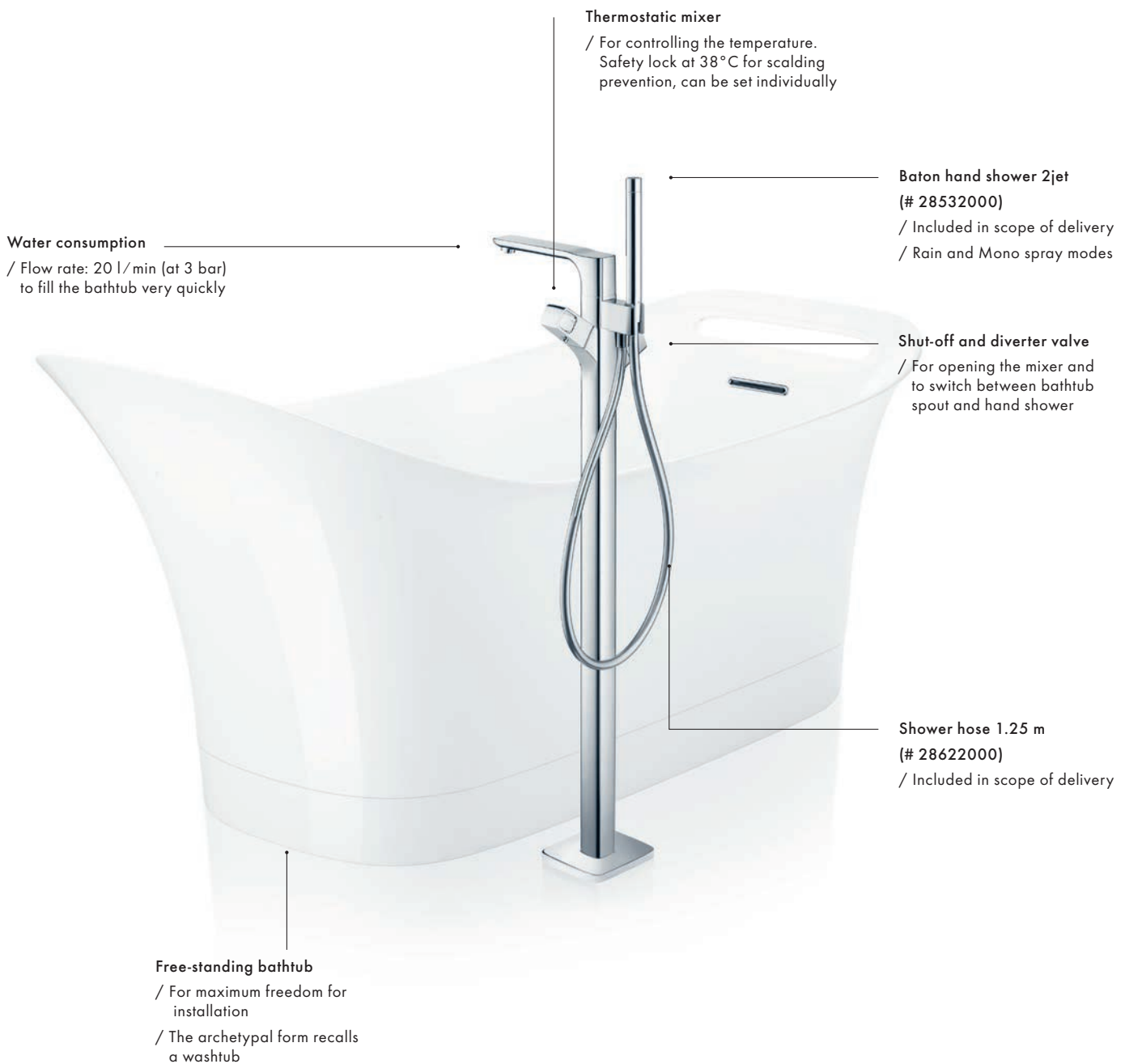


Nostalgic accents: The form of the wash basin recalls traditional wash bowls of years gone by.

Practical handles: The integrated handles also serve as towel holders.

Style fusion all the way to the bathtub

The floor-standing bathtub mixer, with its eclectic design, is at home anywhere in the bathroom. Just as sensuous as its counterpart on the wash basin, it fuses flat surfaces with unexpected asymmetries. When combined with the nostalgic look of the AXOR Urquiola bathtub, made of mineral casting material with a gel coating, it is a visual highlight in the bathroom.





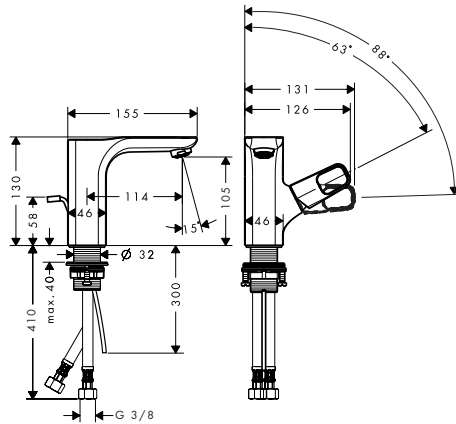
Single lever basin mixer 110 for hand wash basins with pop-up waste set

Features

- / consists of: single lever basin mixer, waste set
- / ComfortZone: 110
- / projection: 114 mm
- / spout height: 105 mm
- / handle variant: flat handle

- / spray type: normal spray
- / maximum flow rate at 3 bar: 5 l/min
- / ceramic cartridge
- / temperature limitation adjustable
- / suitable for continuous flow water heaters

- / pop-up waste set G 1 1/4
- / connection type: G 3/8 hose connections
- / connection dimension: DN 15
- / EU taxonomy: max. 6 l/min - Substantial Contribution (SC) possible



Sustainability



Technologies



Finish	Code no.
Chrome	11025000
AXOR FinishPlus*	11025XXX



This product is not available in the AXOR FinishPlus surfaces Polished and Brushed Black Chrome.

Single lever basin mixers

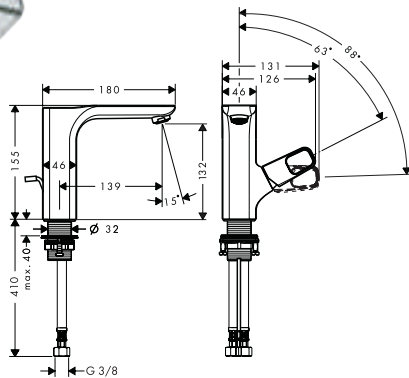
Features of all variants

- / consists of: single lever basin mixer, waste set
- / handle variant: flat handle
- / spray type: normal spray
- / maximum flow rate at 3 bar: 5 l/min

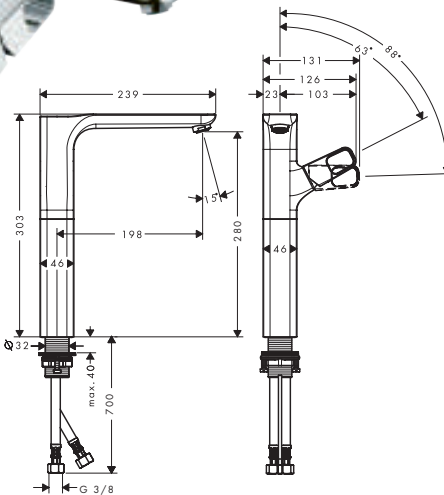
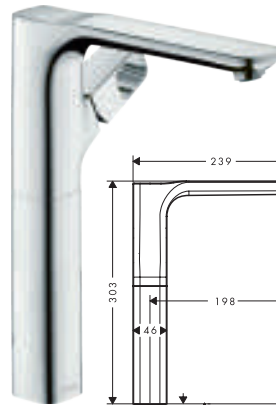
- / ceramic cartridge
- / temperature limitation adjustable
- / suitable for continuous flow water heaters
- / connection type: G 3/8 hose connections

- / connection dimension: DN 15
- / EU taxonomy: max. 6 l/min - Substantial Contribution (SC) possible

130



280



Sustainability



Technologies



Overview variants

ComfortZone	Projection (mm)	Spout height (mm)	Waste set	For wash bowls	Finish	Code no.
130	139	132	pop-up	–	Chrome	11020000
					AXOR FinishPlus*	11020XXX
130	139	132	non-closing	–	Chrome	11021000
					AXOR FinishPlus*	11021XXX
280	198	280	non-closing	■	Chrome	11035000
					AXOR FinishPlus*	11035XXX



This product is not available in the AXOR FinishPlus surfaces Polished and Brushed Black Chrome.

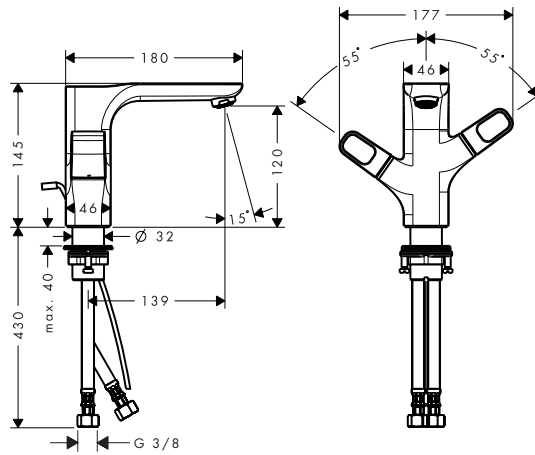
2-handle basin mixer 120 with pop-up waste set

Features

/ consists of: 2-handle basin mixer, waste set
 / ComfortZone: 120
 / projection: 139 mm
 / spout height: 120 mm
 / handle variant: flat handle

/ spray type: normal spray
 / maximum flow rate at 3 bar: 5 l/min
 / ceramic valves hot/cold 90°
 / suitable for continuous flow water heaters
 / pop-up waste set G 1 ¼

/ connection type: G ¾ hose connections
 / connection dimension: DN15
 / EU taxonomy: max. 6 l/min - Substantial Contribution (SC) possible



Sustainability



Technologies



Finish	Code no.
Chrome	11024000
AXOR FinishPlus*	11024XXX

i This product is not available in the AXOR FinishPlus surfaces Polished and Brushed Black Chrome.

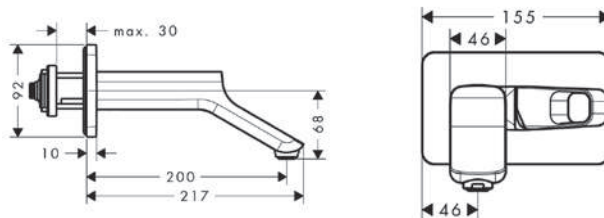
Single lever basin mixer for concealed installation wall-mounted with spout 200 mm

Features

/ consists of: single lever basin mixer for concealed installation wall-mounted, waste set
 / projection: 200 mm
 / handle variant: flat handle
 / spray type: normal spray

/ maximum flow rate at 3 bar: 5 l/min
 / ceramic cartridge
 / temperature limitation adjustable
 / suitable for continuous flow water heaters
 / non-closing waste set

/ connection type: basic set
 / connection dimension: DN15
 / EU taxonomy: max. 6 l/min - Substantial Contribution (SC) possible



Sustainability



Technologies



Finish	Code no.
Chrome	11026000
AXOR FinishPlus*	11026XXX

i This product is not available in the AXOR FinishPlus surfaces Polished and Brushed Black Chrome.

! Required parts:



Basic set for Showerpipe/ shower column

Code no.

10902180

Optional parts:



AXOR Urquiola Extension set 28 mm for single lever basin mixer wall-mounted

Code no.

11980000

3-hole basin mixers

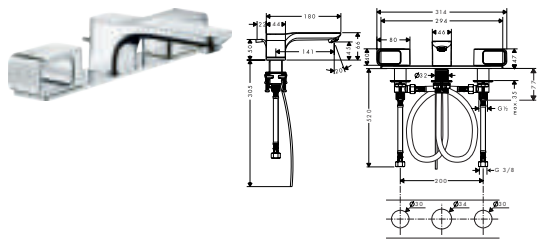
Features of all variants

/ consists of: 3-hole basin mixer, waste set
 / ComfortZone: 50
 / projection: 180 mm
 / spout height: 45 mm
 / handle variant: flat handle

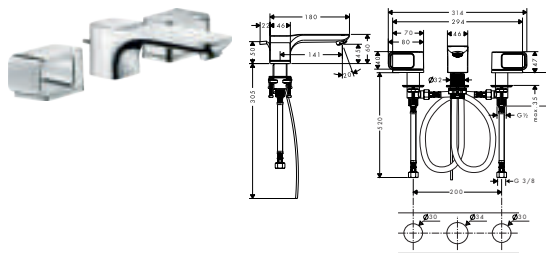
/ spray type: normal spray
 / maximum flow rate at 3 bar: 5 l/min
 / ceramic valves hot/cold 90°
 / suitable for continuous flow water heaters
 / pop-up waste set G 1¼

/ connection type: G ¾ hose connections
 / connection dimension: DN 15
 / EU taxonomy: max. 6 l/min - Substantial Contribution (SC) possible

with plate



with escutcheons



Sustainability



Technologies



Overview variants

ComfortZone	Projection (mm)	Spout height (mm)	Cover	Finish	Code no.
50	180	45	plate	Chrome	11040000
				AXOR FinishPlus*	11040XXX
50	180	45	escutcheons	Chrome	11041000
				AXOR FinishPlus*	11041XXX

i This product is not available in the AXOR FinishPlus surfaces Polished and Brushed Black Chrome.

Optional parts:	For	Code no.
Hose extension set for 3-hole basin mixer	11041XXX	38959000

3-hole basin mixers wall mounted

Features of all variants

/ consists of: 3-hole basin mixer for concealed installation wall-mounted, waste set
 / handle variant: flat handle
 / spray type: normal spray

/ maximum flow rate at 3 bar: 5 l/min
 / ceramic valves hot/cold 90°
 / suitable for continuous flow water heaters
 / non-closing waste set

/ connection type: basic set
 / connection dimension: DN 15
 / EU taxonomy: max. 6 l/min - Substantial Contribution (SC) possible

168



228



Sustainability



Technologies



Overview variants

	Projection (mm)	Finish	Code no.
	168	Chrome	11042000
		AXOR FinishPlus*	11042XXX
	228	Chrome	11043000
		AXOR FinishPlus*	11043XXX

i This product is not available in the AXOR FinishPlus surfaces Polished and Brushed Black Chrome.

Required parts:	Code no.
Basic set for 3-hole basin mixer for concealed installation wall-mounted	10303180

Wash basin 624/399 wall-mounted

Features

/ material: mineral cast with gelcoat
/ without tap hole
/ without overflow

/ without waste set
/ only in conjunction with basin mixers without pull rod

/ installation type: wall mounted
/ overflow class: CL00



Finish	Code no.
○ White	11302000

Optional parts:



Waste set non-closing for washbasins

Finish	Code no.
● Chrome	51301000
● AXOR FinishPlus*	51301XXX

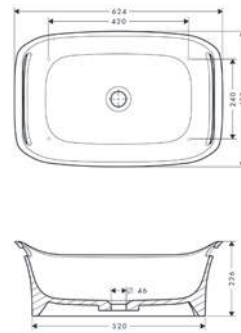
Wash bowl 624/408

Features

/ material: mineral cast with gelcoat
/ without tap hole
/ without overflow

/ without waste set
/ only in conjunction with basin mixers without pull rod

/ installation type: built-on
/ overflow class: CL00



Finish	Code no.
○ White	11300000

Optional parts:



Waste set non-closing for washbasins

Finish	Code no.
● Chrome	51301000
● AXOR FinishPlus*	51301XXX

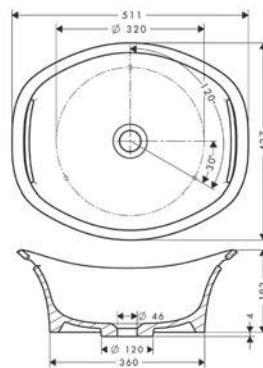
Wash bowl 511/427

Features

/ material: mineral cast with gelcoat
/ without tap hole
/ without overflow

/ without waste set
/ only in conjunction with basin mixers without pull rod

/ installation type: built-on
/ overflow class: CL00



Finish	Code no.
○ White	11301000

Optional parts:



Waste set non-closing for washbasins

Finish	Code no.
● Chrome	51301000
● AXOR FinishPlus*	51301XXX

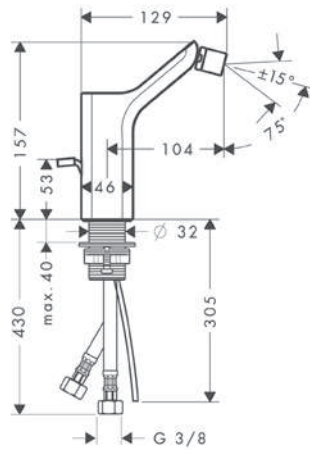
Single lever bidet mixer with pop-up waste set

Features

/ consists of: single lever bidet mixer, waste set
 / projection: 104 mm
 / spout height: 157 mm
 / ball-pivot joint

/ spray type: laminar spray
 / maximum flow rate at 3 bar: 7,2 l/min
 / ceramic cartridge
 / temperature limitation adjustable

/ suitable for continuous flow water heaters
 / pop-up waste set G 1¼
 / connection type: G ¾ hose connections
 / connection dimension: DN 15



Finish	Code no.
Chrome	11220000
AXOR FinishPlus*	11220XXX



This product is not available in the AXOR FinishPlus surfaces Polished and Brushed Black Chrome.

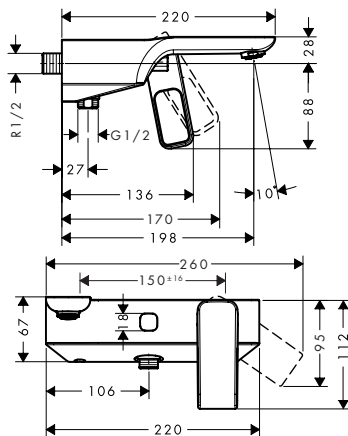
Single lever bath mixer for exposed installation

Features

/ 2 functions
 / projection: 198 mm
 / centre distance: 150 ± 16 mm
 / spray type mixer: normal spray
 / maximum flow rate at 3 bar: 24 l/min
 / flow rate for bath spout at 3 bar: 24 l/min

/ flow rate of hand shower at 3 bar: 18 l/min
 / ceramic cartridge
 / temperature limitation adjustable
 / diverter with automatic resetting
 / non-return valve
 / with silencer

/ suitable for continuous flow water heaters
 / connection dimension: DN 15
 / connection type: S-connections
 / wall-mounted
 / min. operating pressure: 1 bar
 / max. operating pressure: 10 bar



Technologies



Finish	Code no.
Chrome	11420000
AXOR FinishPlus*	11420XXX



This product is not available in the AXOR FinishPlus surfaces Polished and Brushed Black Chrome.

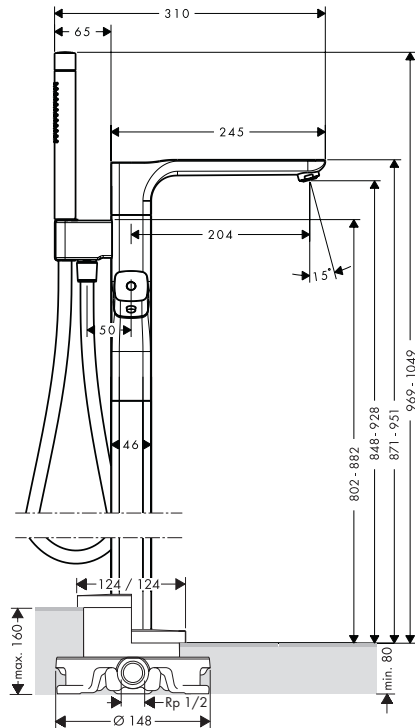
Bath thermostat floor-standing

Features

- / consists of: bath thermostat floor standing, baton hand shower, shower hose, shower holder
- / projection 204 mm
- / 2 functions
- / thermostat cartridge, shut-off/ diverter valve
- / spray type mixer: normal spray
- / spray type hand shower: Rain, MonoRain

- / maximum flow rate at 3 bar: 21 l/min
- / flow rate for bath spout at 3 bar: 21 l/min
- / flow rate of hand shower at 3 bar: 14 l/min
- / min. operating pressure: 1 bar
- / max. operating pressure: 10 bar
- / Safety stop at 40 °C
- / temperature limitation adjustable

- / non-return valve
- / with automatic resetting
- / not suitable for continuous flow water heaters
- / connection dimension: DN 15
- / connection type: basic set
- / deck mounted
- / dirt filter included



Sustainability



Technologies



Spray types



Finish	Code no.
Chrome	11422000
AXOR FinishPlus*	11422XXX

i This product is not available in the AXOR FinishPlus surfaces Polished and Brushed Black Chrome.

Consisting of:



AXOR Starck Baton hand shower 2jet

Included in Code no.
11422XXX 28532XXX



Metal effect shower hose 1.25 m with conical nuts

11422XXX 28622XXX

! Required parts:



Basic set for mixers floor-standing

Code no.
10452180

Optional parts:



Sealing foil for basic set bath mixer floor-standing

Code no.
96441000



Extension 60 mm

92135000

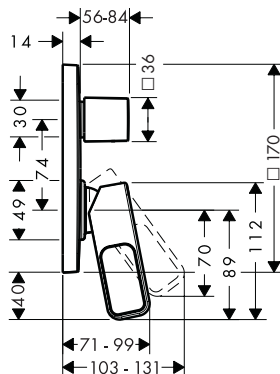
Single lever bath mixer for concealed installation

Features

/ 2 functions
 / maximum flow rate at 3 bar: 22 l/min
 / ceramic cartridge
 / temperature limitation adjustable




/ diverter with automatic resetting
 / with silencer
 / suitable for continous flow water heaters
 / connection type: basic set

/ wall-mounted
 / min. operating pressure: 1 bar
 / max. operating pressure: 10 bar



Finish	Code no.
Chrome	11425000
AXOR FinishPlus*	11425XXX

i This product is not available in the AXOR FinishPlus surfaces Polished and Brushed Black Chrome.

Required parts (choose one):		Code no.
Option 1	 AXOR iBox universal 2 Basic set	01400180
	+ 	13588000
Option 2	 AXOR iBox universal Basic set	01700180

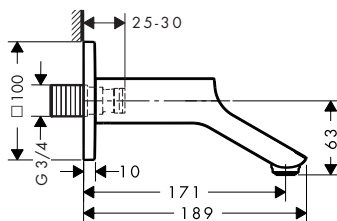
Bath spout

Features

/ 1 function
 / projection: 171 mm

/ maximum flow rate at 3 bar: 21 l/min
 / connection dimension: DN20

/ spray type: normal spray



Technologies

Finish	Code no.
Chrome	11430000
AXOR FinishPlus*	11430XXX

i This product is not available in the AXOR FinishPlus surfaces Polished and Brushed Black Chrome.

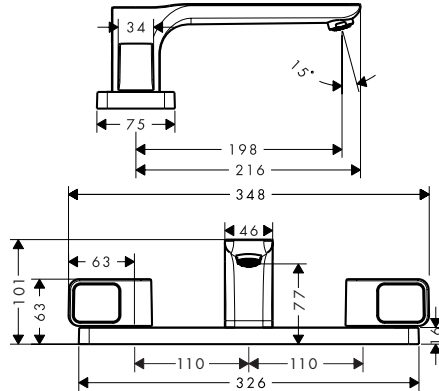
3-hole rim mounted bath mixer

Features

- / 1 function
- / projection: 198 mm
- / spray type mixer: normal spray
- / maximum flow rate at 3 bar: 25 l/min

- / ceramic valves hot/cold 90°
- / connection dimension: DN15
- / connection type: basic set
- / installation on bath rim

- / min. operating pressure: 1 bar
- / max. operating pressure: 10 bar



Technologies



Finish	Code no.
Chrome	11436000
AXOR FinishPlus*	11436XXX

i This product is not available in the AXOR FinishPlus surfaces Polished and Brushed Black Chrome.

Required parts:



Basic set for 3-hole rim mounted bath mixer

Code no.

15484180

Optional parts:



AXOR Citterio Installation plate

Code no.

39449000

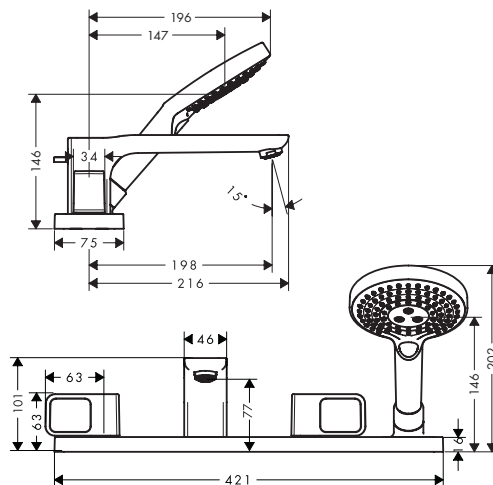
4-hole rim mounted bath mixer

Features

- / consists of: 4-hole rim mounted bath mixer, hand shower, shower hose, shower holder
- / 2 functions
- / projection: 198 mm
- / spray type mixer: normal spray
- / spray type hand shower: Rain, RainAir, WhirlAir

- / maximum pull-out length of hand shower: 1.10 m
- / maximum flow rate at 3 bar: 22 l/min
- / ceramic valves hot/cold 90°
- / diverter with automatic resetting
- / non-return valve
- / connection dimension: DN15

- / connection type: basic set
- / installation on bath rim
- / min. operating pressure: 1 bar
- / max. operating pressure: 10 bar
- / no additional maintenance opening required



Technologies



Spray types



Finish	Code no.
Chrome	11443000
AXOR FinishPlus*	11443XXX

i This product is not available in the AXOR FinishPlus surfaces Polished and Brushed Black Chrome.

Consisting of:



AXOR ShowerSolutions Hand shower 120 3jet

Included in

11443XXX

Code no.

26050XXX

For more information about this product, please see the next page.

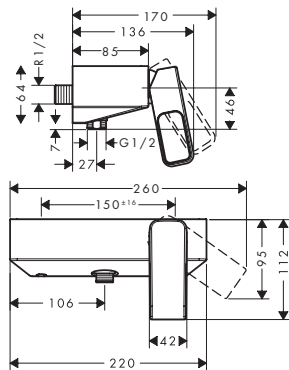
Single lever shower mixer for exposed installation

Features

/ 1 function
 / centre distance: 150 ± 16 mm
 / maximum flow rate at 3 bar: 28 l/min
 / ceramic cartridge
 / temperature limitation adjustable

/ non-return valve
 / with silencer
 / suitable for continuous flow water heaters
 / hose connection DN15
 / connection dimension: DN15

/ min. operating pressure: 1 bar
 / max. operating pressure: 10 bar
 / connection type: S-connections



Finish	Code no.
Chrome	11620000
AXOR FinishPlus*	11620XXX

i This product is not available in the AXOR FinishPlus surfaces Polished and Brushed Black Chrome.

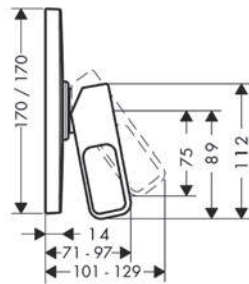
Single lever shower mixer for concealed installation

Features

/ 1 function
 / maximum flow rate at 3 bar: 29 l/min
 / ceramic cartridge

/ temperature limitation adjustable
 / with silencer
 / suitable for continuous flow water heaters




/ min. operating pressure: 1 bar
 / max. operating pressure: 10 bar



Finish	Code no.
Chrome	11625000
AXOR FinishPlus*	11625XXX

i This product is not available in the AXOR FinishPlus surfaces Polished and Brushed Black Chrome.

Required parts (choose one):

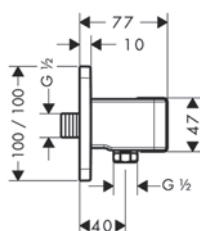
		Code no.
Option 1	 AXOR iBox universal 2 Basic set	01400180
	+  Adapter plate for iBox universal 2	13588000
Option 2	 AXOR iBox universal Basic set	01700180

Porter unit softsquare

Features

/ integrated support function
 / metal housing with internal water supply made of plastic

/ non-return valve
 / connection type: G 1/2
 / for shower hoses with a conical nut

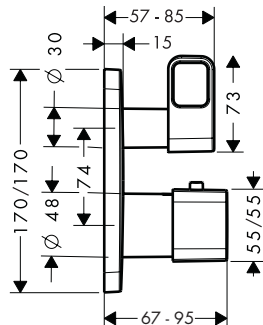


Finish	Code no.
Chrome	11626000
Matt Black	11626670
AXOR FinishPlus*	11626XXX

Thermostat for concealed installation with shut-off valve

Features

- / 1 function
- / thermostat cartridge, ceramic valves 90°
- / maximum flow rate at 3 bar: 26 l/min
- / min. operating pressure: 1 bar
- / max. operating pressure: 10 bar
- / Safety stop at 40 °C
- / temperature limitation adjustable
- / non-return valve
- / with silencer
- / connection type: basic set



Sustainability



Technologies



Finish	Code no.
Chrome	11732000
AXOR FinishPlus*	11732XXX

i This product is not available in the AXOR FinishPlus surfaces Polished and Brushed Black Chrome.

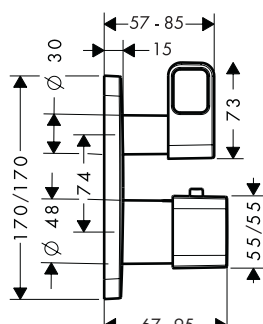
! Required parts (choose one):

Option	Image	Description	Code no.
Option 1		AXOR iBox universal 2 Basic set	01400180
	+	Adapter plate for iBox universal 2	13588000
Option 2		AXOR iBox universal Basic set	01700180

Thermostat for concealed installation with shut-off/ diverter valve

Features

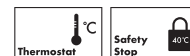
- / 2 functions
- / thermostat cartridge, shut-off valve
- / maximum flow rate at 3 bar: 29 l/min
- / min. operating pressure: 1 bar
- / max. operating pressure: 10 bar
- / Safety stop at 40 °C
- / temperature limitation adjustable
- / non-return valve
- / with silencer
- / connection type: basic set



Sustainability



Technologies



Finish	Code no.
Chrome	11733000
AXOR FinishPlus*	11733XXX

i This product is not available in the AXOR FinishPlus surfaces Polished and Brushed Black Chrome.

! Required parts (choose one):

Option	Image	Description	Code no.
Option 1		AXOR iBox universal 2 Basic set	01400180
	+	Adapter plate for iBox universal 2	13588000
Option 2		AXOR iBox universal Basic set	01700180

Showers



AXOR ShowerSolutions
Overhead shower 300 2jet with shower arm

#35303XXX

page 466



AXOR Citterio C
Overhead shower 270/270 1jet EcoSmart with shower arm

#28791XXX

page 114



AXOR One
Overhead shower 280 1jet with ceiling connection

#48493XXX

page 143

Shower controls



AXOR ShowerSelect ID
Thermostat for concealed installation softsquare for 2 functions

#36754XXX

page 109



AXOR One
Thermostatic module for concealed installation for 2 functions

#45712XXX

page 137

Further complementary products



AXOR Universal Softsquare
Rail bath towel holder 600 mm

#42832XXX

page 620



AXOR Suite Basins & Bathtub
Wash bowl 400 without tap hole and overflow

#42001XXX

page 656

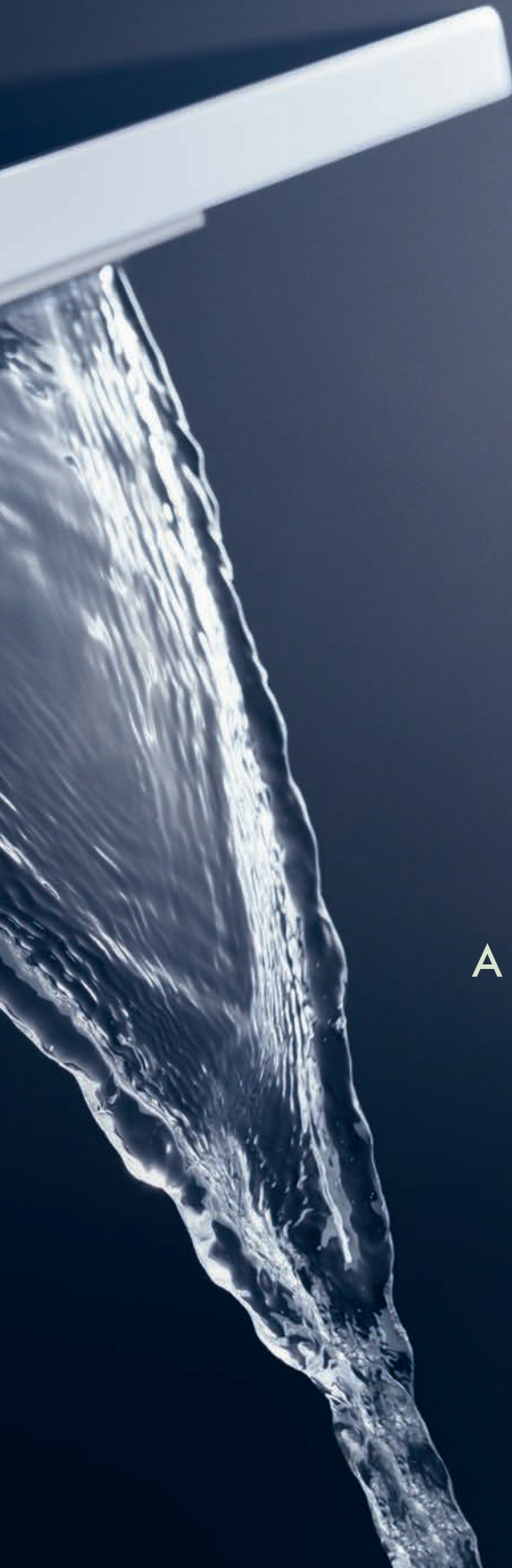


AXOR Drain
Finish set shower drain 700

#42520XXX

page 688





Basin

Wash bowls and wash basin

Bath

AXOR MASSAUD

DESIGN

—
JEAN-MARIE MASSAUD





"I wanted to make the functional elements disappear to create the landscape for a holistic experience with water."

JEAN-MARIE MASSAUD

AXOR Massaud

The peace of nature

AXOR Massaud perfects the connection between people and nature. The collection makes water into a source of wellbeing and composure. Celebrates it in the form of a natural waterfall flowing from a shelf. The collection embodies uncompromising, organic avant-garde design inspired by the elements of nature. Far from all technology, to enjoy the moment—with water rather than with a mixer.

Design: Jean-Marie Massaud

Characteristic design feature:

Organic design language inspired by nature: Expansive surfaces meet soft curves that transition to radical geometric forms. The body is a blade of grass. The cascading spray a natural waterfall.

The designer's idea:

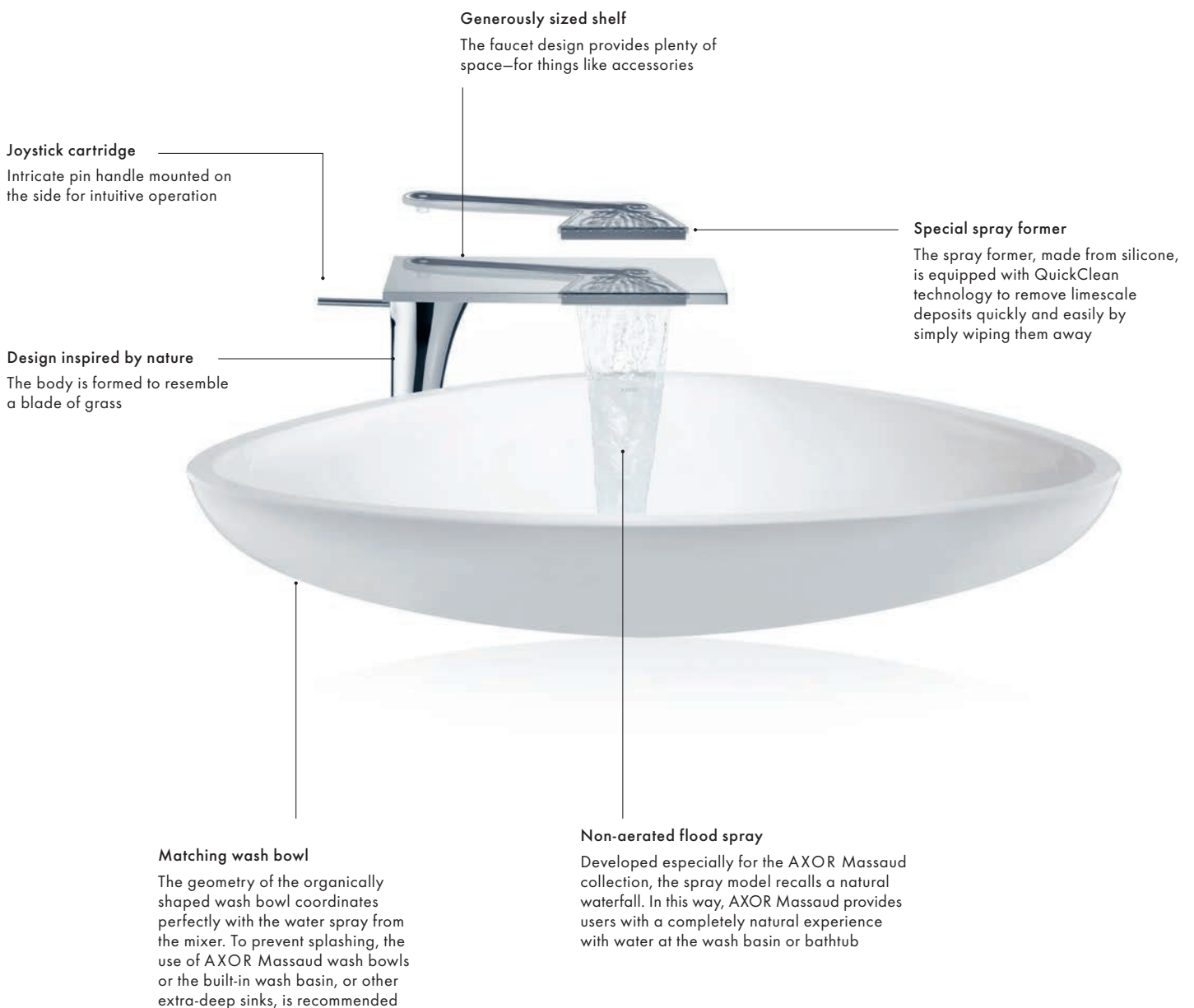
The natural world and its elements: A sensuous waterfall flowing from a shelf—this is AXOR Massaud. The mixer is not a technical object. Rather, it was designed to present the element of water and create an ingenious connection between people and nature. To provide a source of calmness and contemplation.

Special collection highlights:

- / The mixer gives added value as a shelf
- / Avant-garde water design: the cascading waterfall is not aerated—this nod to a natural waterfall resulted from intensive development work
- / Matching wash basins in organic design
- / The first collection in cooperation with Jean-Marie Massaud

Harmonious connection between natural aesthetics and modern design

AXOR Massaud brings the natural world into the bathroom, allowing us to experience the element of water in all its sensual glory. A vigorous stream gushes from the mixer like a waterfall. Behind this gorgeous cascade is advanced water-saving technology. All rounded out by the harmonious relation between the wash basin, with its organic form, and the mixer.



The floor-standing bathtub mixer with a non-aerated flood spray that flows from the mixer into the tub like a natural waterfall.



Single lever basin mixers

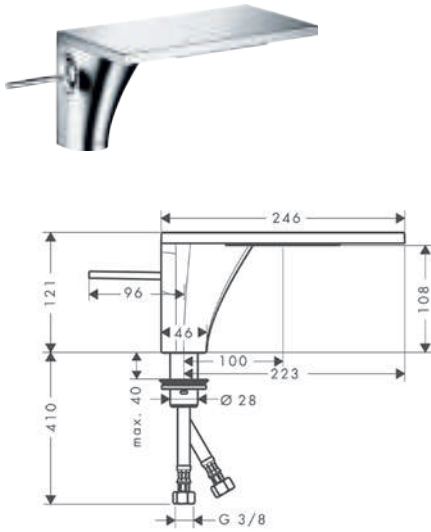
Features of all variants

/ consists of: single lever basin mixer, waste set
 / handle variant: cylinder handle
 / spray type: wide flood jet
 / maximum flow rate at 3 bar: 4 l/min

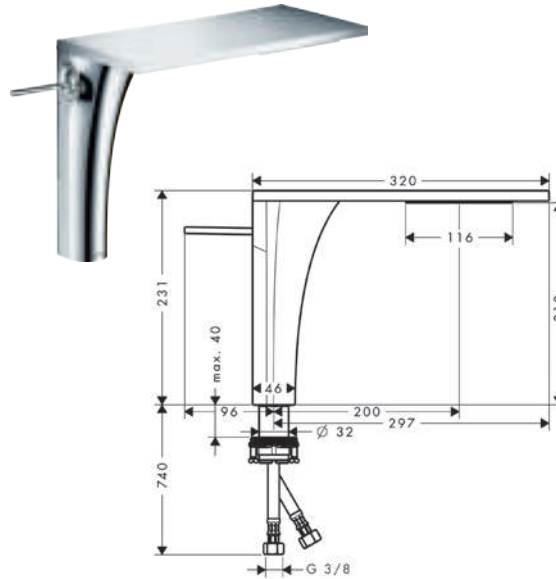
/ ceramic cartridge
 / suitable for continuous flow water heaters
 / non-closing waste set
 / connection type: G 3/8 hose connections

/ connection dimension: DN15
 / EU taxonomy: max. 6 l/min - Substantial Contribution (SC) possible

110



220



Sustainability



Technologies



Spray types



Overview variants

ComfortZone	Projection (mm)	Spout height (mm)	For wash bowls	Finish	Code no.
110	100	108	-	● Chrome 18010000 ● AXOR FinishPlus* 18010XXX	
220	200	218	■	● Chrome 18020000 ● AXOR FinishPlus* 18020XXX	

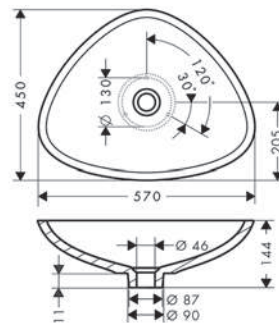
Wash bowl 570/450

Features

/ material: mineral cast with gelcoat
 / without tap hole
 / without overflow

/ only in conjunction with basin mixers without pull rod
 / installation type: built-on

/ overflow class: CLOO



Finish	Code no.
○ White	42305000

Optional parts:



Waste set non-closing for washbasins

Finish	Code no.
● Chrome	51301000
● AXOR FinishPlus*	51301XXX

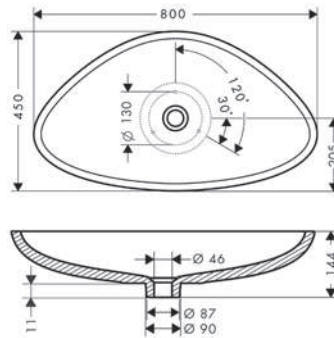
Wash bowl 800/450

Features

/ material: mineral cast with gelcoat
 / without tap hole
 / without overflow

/ without waste set
 / only in conjunction with basin mixers without pull rod

/ installation type: built-on
 / overflow class: CL00



Finish	Code no.
○ White	42300000

Optional parts:



Waste set non-closing for washbasins

Finish	Code no.
● Chrome	51301000
● AXOR FinishPlus*	51301XXX

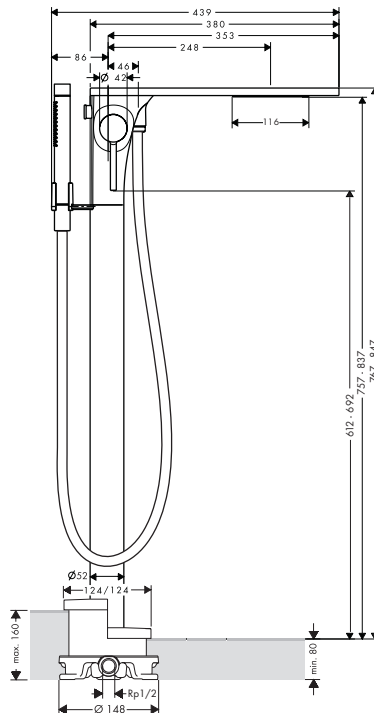
Single lever bath mixer floor-standing

Features

/ consists of: single lever bath mixer floor standing, baton hand shower, shower hose, shower holder
 / 2 functions
 / projection: 248 mm
 / spray type mixer: wide flood jet
 / spray type hand shower: Rain, MonoRain

/ maximum flow rate at 3 bar: 17 l/min
 / flow rate for bath spout at 3 bar: 17 l/min
 / flow rate of hand shower at 3 bar: 14 l/min
 / ceramic cartridge
 / temperature limitation adjustable
 / diverter with automatic resetting

/ non-return valve
 / connection dimension: DN15
 / connection type: basic set
 / deck mounted
 / min. operating pressure: 1 bar
 / max. operating pressure: 10 bar



Technologies



Spray types



Finish	Code no.
● Chrome	18450000
● AXOR FinishPlus*	18450XXX

Consisting of:



AXOR Starck Metal effect shower hose 1.25 m with cylindrical nuts

Included in	Code no.
18450XXX	28282XXX



AXOR Starck Baton hand shower 2jet

18450XXX	28532XXX
----------	----------

Required parts:



Basic set for mixers floor-standing

Code no.
10452180

For more information about this product, please see the next page.

Single lever bath mixer floor-standing

Optional parts:		Code no.
	Sealing foil for basic set bath mixer floor-standing	96441000
	AXOR Starck Extension 60 mm for pipe	97686000

Showers

**AXOR ShowerSolutions**

Overhead shower 300/300 2jet with shower arm

#35318XXX

page 469

**AXOR ShowerSolutions**

Overhead shower 460/300 3jet with shower arm and square escutcheon

#35282XXX

page 472

**AXOR ShowerComposition**

Shower module 250/250 2jet with shoulder shower

#12594XXX

page 445

Shower controls

**AXOR ShowerSelect ID**

Thermostat for concealed installation square for 2 functions

#36752XXX

page 553

**AXOR ShowerComposition**

Thermostatic module 540/110 for concealed installation for 3 functions

#12572XXX

page 447

**AXOR ShowerSolutions**

Thermostatic module Select 600/90 for concealed installation for 4 functions

#18357XXX

page 562

Further complementary products

**AXOR Universal Rectangular**

Bath towel rail 600 mm

#42661XXX

page 606

**AXOR Suite Basins & Bathtub**

Wash bowl 400/400 without tap hole and overflow

#42003XXX

page 657

**AXOR Drain**

Finish set shower drain 700

#42520XXX

page 688



Basin

Bidet

Bath

Shower

Thermostatic mixers / valves / diverters



AXOR UNO

DESIGN
—
PHOENIX



“Implemented at the highest technological levels, AXOR Uno is the quintessence of purism: Clean, minimalist and subtle.”

ANDREAS DIEFENBACH, PHOENIX

AXOR Uno

The power of simplicity

AXOR Uno is about the purity of perfection. And about the simple shapes that form a visible design. Inspired by the original purists. The mixer consists of pipes—the original form of water transport—put together at precise right angles. Subtly excessive, based on the golden ratio. This ascetic form exudes a great strength. The power of simplicity.

Design: PHOENIX

Characteristic design feature:

Purist mixer design: A clear design language with basic cylindrical forms. Precisely put together at right angles. Subtly excessive, based on the golden ratio.

The designer's idea:

An appreciation of design and material: With the pipe, one of the oldest forms of water transport, AXOR Uno embodies radical reduction to the essentials. The material and the design are the clear focus of the mixers.

Special collection highlights:

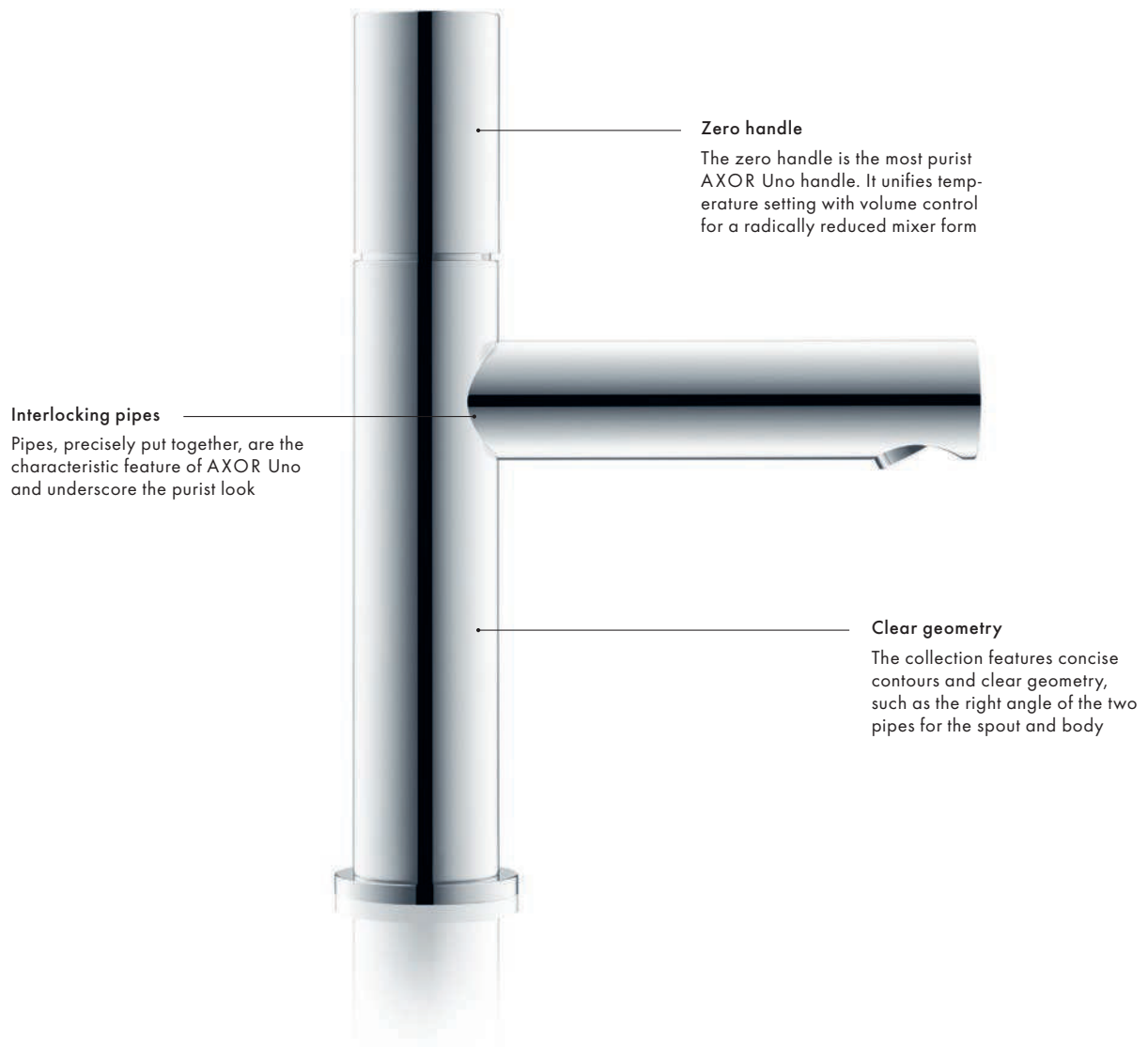
- / Two design families and handle variants: a purist zero handle or a handle with Select technology
- / The design of the AXOR Uno 200 wash basin mixers is based on the principle of the golden ratio, a classic proportional relationship
- / The perfect addition to AXOR Uno in the shower: AXOR Showerpipe 800—also rigorously purist in design
- / AXOR Uno is a redesign of the successful AXOR Uno collection introduced in 1985





Purism. Without exception

Characterized by clear lines and cylinders put together at precise right angles, AXOR Uno embodies purism at its finest. With its sleek zero handle, maximum ergonomics meet minimalist design.





For the four-hole rim-mounted bath mixer with zero handles (# 45444000), the baton hand shower 2jet (# 28532000) is included in the scope of delivery.

A special bathroom highlight is the floor-standing bath spout (# 45412 -000, -xxx) in combination with thermostatic module Select for 2 functions (# 18355, -000, -xxx).



Single lever basin mixers with zero handle

Features of all variants

/ consists of: single lever basin mixer, waste set
 / handle variant: cylinder handle
 / spray type: laminar spray
 / maximum flow rate at 3 bar: 5 l/min

/ ceramic cartridge
 / temperature limitation adjustable
 / suitable for continuous flow water heaters
 / connection type: G 3/8 hose connections

/ connection dimension: DN15
 / EU taxonomy: max. 6 l/min - Substantial Contribution (SC) possible

80



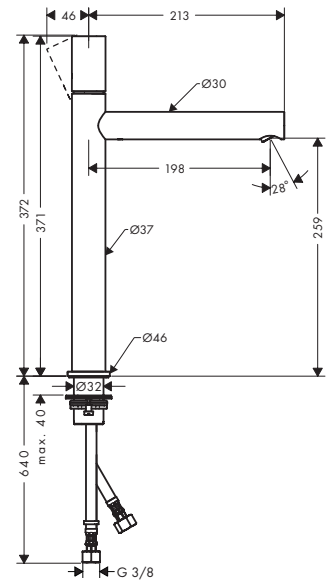
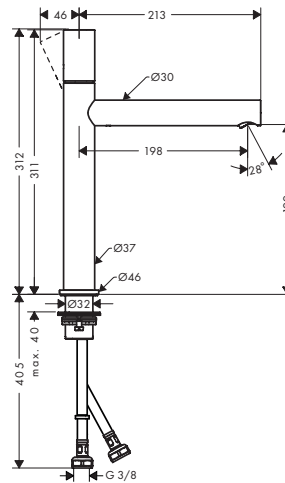
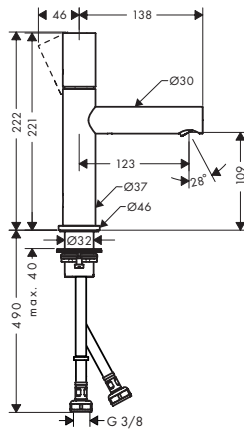
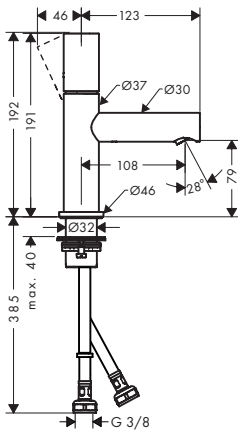
110



200



260



Sustainability



Technologies



Overview variants

ComfortZone	Projection (mm)	Spout height (mm)	Waste set	For wash bowls	Finish	Code no.
80	108	79	non-closing	-	Chrome 45005000 Brushed Black Chrome 45005340 Brushed Nickel 45005820 AXOR FinishPlus* 45005XXX	
110	123	109	pop-up	-	Chrome 45001000 Brushed Black Chrome 45001340 Stainless Steel Optic 45001800 Brushed Nickel 45001820 AXOR FinishPlus* 45001XXX	

Single lever basin mixers with zero handle

Overview variants

ComfortZone	Projection (mm)	Spout height (mm)	Waste set	For wash bowls	Finish	Code no.
110	123	109	non-closing	-	Chrome	45002000
					Brushed Black Chrome	45002340
					Brushed Nickel	45002820
					AXOR FinishPlus*	45002XXX
200	198	199	non-closing	■	Chrome	45003000
					Brushed Black Chrome	45003340
					Brushed Nickel	45003820
					AXOR FinishPlus*	45003XXX
260	198	259	non-closing	■	Chrome	45004000
					Brushed Black Chrome	45004340
					Brushed Nickel	45004820
					AXOR FinishPlus*	45004XXX

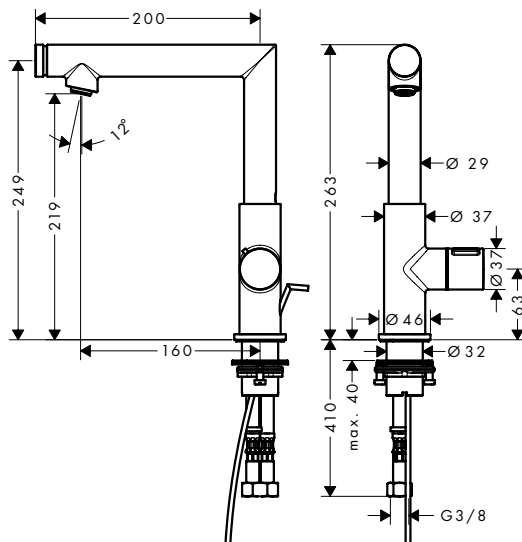
Basin mixer Select 220 with pop-up waste set

Features

/ consists of: Basin mixer, waste set
 / ComfortZone: 220
 / projection: 160 mm
 / spout height: 219 mm
 / handle variant: cylinder handle
 / swivel range 110°

/ spray type: normal spray
 / maximum flow rate at 3 bar: 5 l/min
 / Start/stop valve to operate the functions
 / temperature limitation adjustable
 / separation of temperature control and open/close
 / suitable for continuous flow water heaters

/ pop-up waste set G 1 1/4
 / connection type: G 3/8 hose connections
 / connection dimension: DN15
 / EU taxonomy: max. 6 l/min - Substantial Contribution (SC) possible



Sustainability



Technologies



Finish	Code no.
Chrome	45016000
Brushed Black Chrome	45016340
Brushed Nickel	45016820
AXOR FinishPlus*	45016XXX

*AXOR FinishPlus: For further AXOR FinishPlus surfaces please see the AXOR FinishPlus overview on page 33.

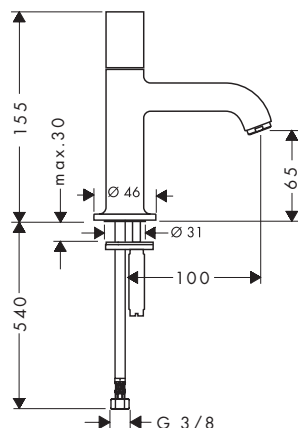
Pillar tap 70 without waste set

Features

/ ComfortZone: 70
 / projection: 100 mm
 / spout height: 65 mm
 / handle variant: cylinder handle

/ spray type: normal spray
 / maximum flow rate at 3 bar: 5 l/min
 / ceramic valve 180°
 / for cold water connection

/ connection type: G 3/8 hose connection
 / connection dimension: DN 15
 / EU taxonomy: max. 6 l/min - Substantial Contribution (SC) possible



Sustainability



Technologies



Finish	Code no.
Chrome	38130000
Brushed Black Chrome	38130340
Brushed Nickel	38130820
AXOR FinishPlus*	38130XXX

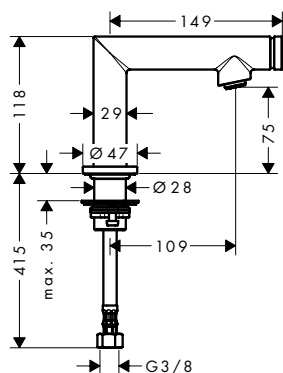
Pillar tap Select 80 without waste set

Features

/ ComfortZone: 80
 / projection: 109 mm
 / spout height: 75 mm
 / handle variant: cylinder handle

/ spray type: normal spray
 / maximum flow rate at 3 bar: 5 l/min
 / Start/stop valve to operate the functions
 / for cold water connection

/ connection type: G 3/8 hose connection
 / connection dimension: DN 15
 / EU taxonomy: max. 6 l/min - Substantial Contribution (SC) possible



Sustainability



Technologies



Finish	Code no.
Chrome	45130000
Brushed Black Chrome	45130340
Brushed Nickel	45130820
AXOR FinishPlus*	45130XXX

Basin mixers for concealed installation wall-mounted Select

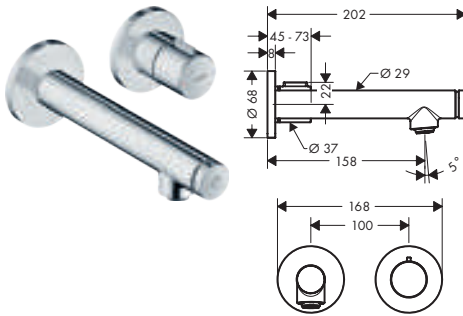
Features of all variants

/ consists of: basin mixer for concealed installation wall-mounted, waste set
 / handle variant: cylinder handle
 / spray type: normal spray
 / maximum flow rate at 3 bar: 5 l/min

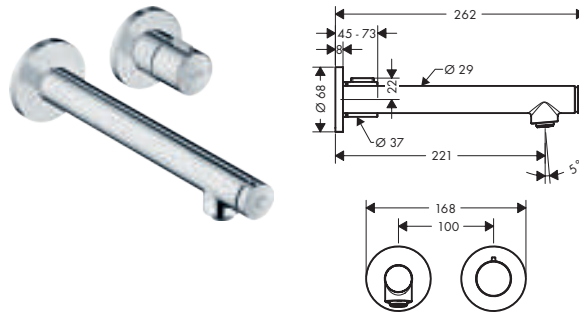
/ Start/stop valve to operate the functions
 / separation of temperature control and open/close
 / suitable for continuous flow water heaters
 / non-closing waste set
 / connection type: basic set

/ connection dimension: DN15
 / handle can be positioned on the right or left, depending on the basic set installation
 / EU taxonomy: max. 6 l/min - Substantial Contribution (SC) possible

158



221



Sustainability



Technologies



Certificates/declarations



Overview variants

Projection (mm)	Finish	Code no.
158	Chrome	45112000
	Brushed Black Chrome	45112340
	Brushed Nickel	45112820
	AXOR FinishPlus*	45112XXX
221	Chrome	45113000
	Brushed Black Chrome	45113340
	Brushed Nickel	45113820
	AXOR FinishPlus*	45113XXX

Required parts:



Basic set for single lever basin mixer for concealed installation wall-mounted

Code no.

13623180

Optional parts:



Extension set 25 mm for single lever basin mixer wall-mounted

Code no.

13586000

* AXOR FinishPlus: For further AXOR FinishPlus surfaces please see the AXOR FinishPlus overview on page 33.

Single lever basin mixers for concealed installation wall-mounted with escutcheons

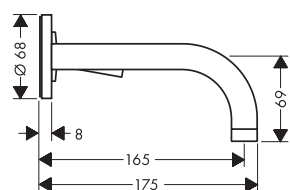
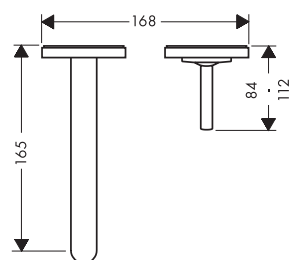
Features of all variants

/ consists of: single lever basin mixer for concealed installation wall-mounted, waste set
 / handle variant: pin handle
 / spray type: normal spray
 / maximum flow rate at 3 bar: 5 l/min

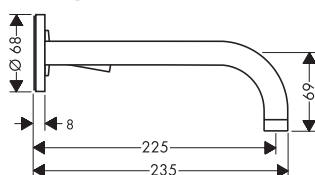
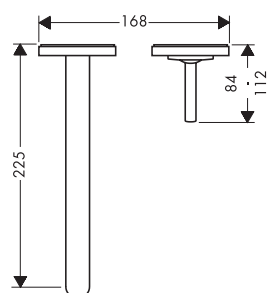
/ ceramic cartridge
 / suitable for continuous flow water heaters
 / non-closing waste set
 / connection type: basic set
 / connection dimension: DN 15

/ handle can be positioned on the right or left, depending on the basic set installation
 / EU taxonomy: max. 6 l/min - Substantial Contribution (SC) possible

165



225



Sustainability



Technologies



Certificates/declarations



Overview variants

Projection (mm)	Handle version	Finish	Code no.
165	pin	Chrome	38113000
		Brushed Black Chrome	38113340
		Brushed Nickel	38113820
		AXOR FinishPlus*	38113XXX
225	pin	Chrome	38116000
		Brushed Black Chrome	38116340
		Brushed Nickel	38116820
		AXOR FinishPlus*	38116XXX

Required parts: Code no.

	Basic set for single lever basin mixer for concealed installation wall-mounted	13623180
--	--	----------

Optional parts: Code no.

	Extension set 25 mm for single lever basin mixer wall-mounted	13586000
--	---	----------

Single lever basin mixers for concealed installation wall-mounted with plate

Features of all variants

/ consists of: single lever basin mixer for concealed installation wall-mounted, waste set
 / handle variant: pin handle
 / spray type: normal spray
 / maximum flow rate at 3 bar: 5 l/min

/ ceramic cartridge
 / suitable for continuous flow water heaters
 / non-closing waste set
 / connection type: basic set
 / connection dimension: DN15

/ handle can be positioned on the right or left, depending on the basic set installation
 / EU taxonomy: max. 6 l/min - Substantial Contribution (SC) possible

165



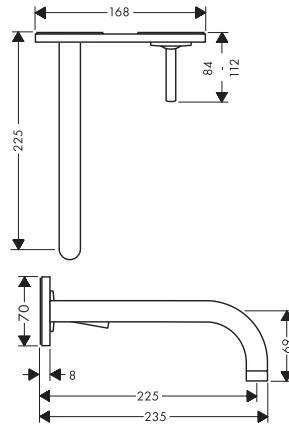
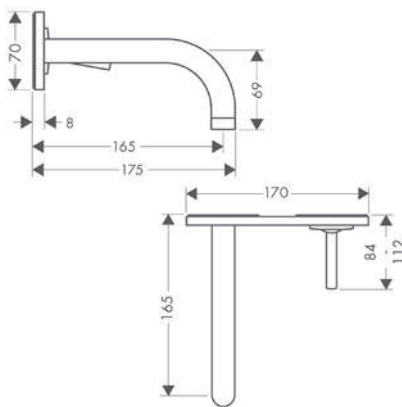
225



Sustainability



Technologies



Overview variants

Projection (mm)	Finish	Code no.
165	Chrome	38112000
	Brushed Black Chrome	38112340
	Brushed Nickel	38112820
	AXOR FinishPlus*	38112XXX
225	Chrome	38115000
	Brushed Black Chrome	38115340
	Brushed Nickel	38115820
	AXOR FinishPlus*	38115XXX

Required parts:



Basic set for single lever basin mixer for concealed installation wall-mounted

Code no.

13623180

Optional parts:



Extension set 25 mm for single lever basin mixer wall-mounted

Code no.

13586000

* AXOR FinishPlus: For further AXOR FinishPlus surfaces please see the AXOR FinishPlus overview on page 33.

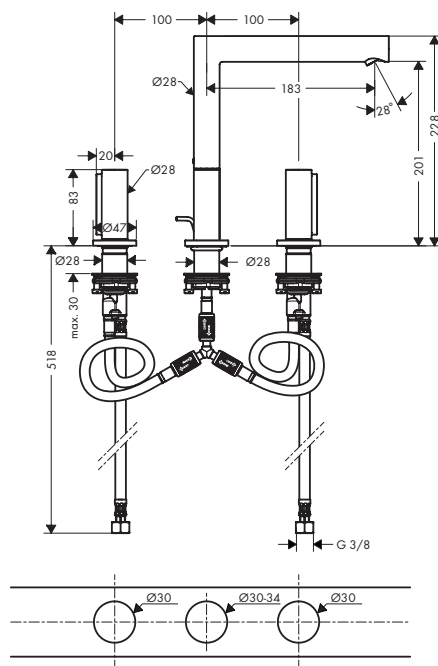
3-hole basin mixer 200 with zero handles and pop-up waste set

Features

/ consists of: 3-hole basin mixer, waste set
 / ComfortZone: 200
 / projection: 183 mm
 / spout height: 201 mm
 / handle variant: cylinder handle

/ swivel range 110°
 / spray type: laminar spray
 / maximum flow rate at 3 bar: 5 l/min
 / ceramic valves hot/cold 90°
 / suitable for continuous flow water heaters

/ pop-up waste set G 1 1/4
 / connection type: G 3/8 hose connections
 / connection dimension: DN15
 / EU taxonomy: max. 6 l/min - Substantial Contribution (SC) possible



Sustainability



Technologies



Finish	Code no.
Chrome	45133000
Brushed Black Chrome	45133340
Brushed Nickel	45133820
AXOR FinishPlus*	45133XXX

Optional parts: Code no.



Hose extension set for 3-hole basin mixer

38959000

Electronic basin mixers for concealed installation wall-mounted

Features of all variants

- / spray type: laminar spray
- / maximum flow rate at 3 bar: 5 l/min
- / temperature adjustable via basic set
- / infrared sensor technology
- / automatic environmental adjustment of infrared sensor
- / adjustable optical range of infrared sensor (5 settings)

- / 230 V / 50 Hz mains connection
- / hygiene rinse activatable (automatic water flow)
- / frequency of hygiene rinse: 24 h
- / flushing time hygiene rinse: 10 s
- / permanent rinse activatable (single water flow for 180 seconds, suitable for thermal disinfection)
- / cleaning mode: manual water stop for washbasin cleaning

- / dirt filters in the connection hoses
- / for ideal function please note a minimum distance of 140 mm from the aerators center to the back rim of the wash basin

161



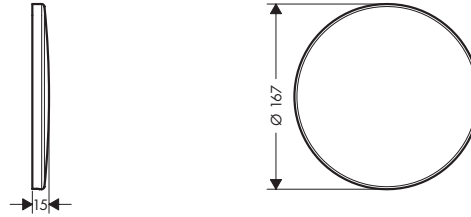
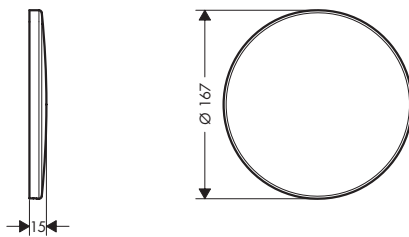
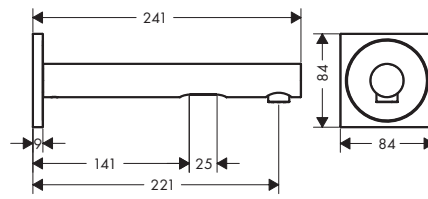
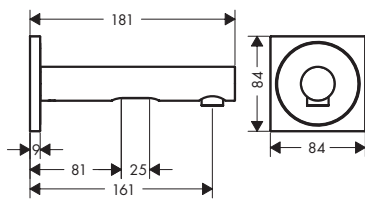
221



Sustainability



Technologies



Overview variants

Projection (mm)	Finish	Code no.
161	Chrome	45110000
	Brushed Black Chrome	45110340
	Brushed Nickel	45110820
	AXOR FinishPlus*	45110XXX
221	Chrome	45111000
	Brushed Black Chrome	45111340
	Brushed Nickel	45111820
	AXOR FinishPlus*	45111XXX

Required parts: Code no.

 Basic set for electronic basin mixer for concealed installation wall-mounted 16180180

Optional parts: Code no.

 Extension 25 mm for basic set for electronic basin mixer wall-mounted 13594000

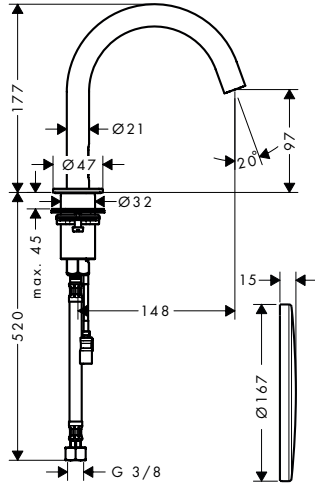
Electronic basin mixer with temperature pre-adjustment with mains connection 230 V

Features

- / ComfortZone 100
- / projection: 148 mm
- / spray type: normal spray
- / maximum flow rate at 3 bar: 3,5 l/min
- / temperature adjustable via basic set
- / suitable for continuous flow water heaters
- / infrared sensor technology

- / automatic environmental adjustment of infrared sensor
- / adjustable optical range of infrared sensor (2 settings)
- / 230 V / 50 Hz mains connection
- / running time: 10 s
- / hygiene rinse activatable (automatic water flow)
- / frequency of hygiene rinse: 24 h

- / flushing time hygiene rinse: 10 s
- / permanent rinse activatable (single water flow for 180 seconds, suitable for thermal disinfection)
- / cleaning mode: manual water stop for washbasin cleaning
- / connection dimension: DN15
- / dirt filters in the connection hoses



Sustainability



Technologies



Finish	Code no.
Chrome	38010000
Matt Black	38010670
Matt White	38010700
Brushed Nickel	38010820
AXOR FinishPlus*	38010XXX

i This product is not available in the AXOR FinishPlus surfaces Red Gold and Black Chrome.

! Required parts:

AXOR Uno Basic set for electronic basin mixer

Code no.

16182180

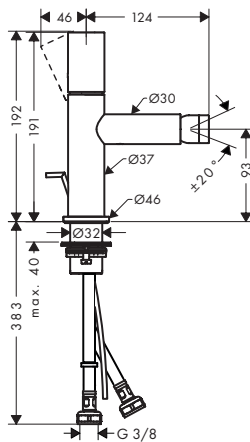
Single lever bidet mixer with zero handle and pop-up waste set

Features

- / consists of: single lever bidet mixer, waste set
- / projection: 124 mm
- / spout height: 93 mm
- / aerator with ball pivot
- / spray type: normal spray

- / maximum flow rate at 3 bar: 5 l/min
- / ceramic cartridge
- / temperature limitation adjustable
- / suitable for continuous flow water heaters
- / pop-up waste set G 1 1/4

- / connection type: G 3/8 hose connections
- / connection dimension: DN15
- / EU taxonomy: max. 6 l/min - Substantial Contribution (SC) possible



Sustainability



Technologies



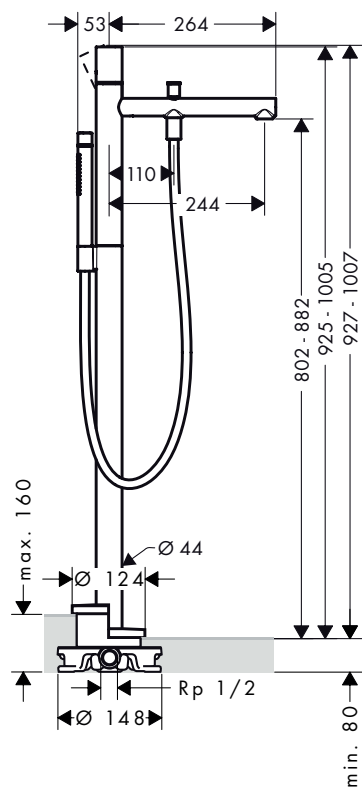
Finish	Code no.
Chrome	45200000
Brushed Black Chrome	45200340
Brushed Nickel	45200820
AXOR FinishPlus*	45200XXX

*AXOR FinishPlus: For further AXOR FinishPlus surfaces please see the AXOR FinishPlus overview on page 33.

Single lever bath mixer floor-standing with zero handle

Features

- / consists of: single lever bath mixer floor standing, baton hand shower, shower holder, shower hose
- / 2 functions
- / projection: 244 mm
- / spray type mixer: normal spray
- / spray type hand shower: Rain, MonoRain
- / maximum flow rate at 3 bar: 18 l/min
- / flow rate for bath spout at 3 bar: 18 l/min
- / flow rate of hand shower at 3 bar: 13 l/min
- / ceramic cartridge
- / temperature limitation adjustable
- / diverter with automatic resetting
- / non-return valve
- / connection dimension: DN15
- / connection type: basic set
- / deck mounted
- / min. operating pressure: 1 bar
- / max. operating pressure: 10 bar
- / no additional maintenance opening required



Technologies



Spray types



Finish	Code no.
Chrome	45416000
Brushed Black Chrome	45416340
Brushed Nickel	45416820
AXOR FinishPlus*	45416XXX

Consisting of:	Included in	Code no.
AXOR Starck Metal effect shower hose 1.25 m with cylindrical nuts	45416XXX	28282XXX
AXOR Starck Baton hand shower 2jet	45416XXX	28532XXX

Required parts:	Code no.
Basic set for mixers floor-standing	10452180

Optional parts:	Code no.
Sealing foil for basic set bath mixer floor-standing	96441000
AXOR Starck Extension 60 mm for pipe	97686000

Single lever bath mixers for concealed installation

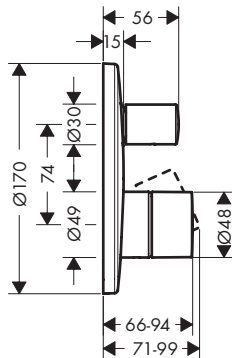
Features of all variants

- / 2 functions
- / ceramic cartridge
- / temperature limitation adjustable
- / diverter with automatic resetting

- / with silencer
- / suitable for continuous flow water heaters
- / connection type: basic set
- / wall-mounted

- / min. operating pressure: 1 bar
- / max. operating pressure: 10 bar

zero handle



Overview variants

Handle version	Security combination EN 1717	Max. flow rate at 3 bar (l/min)	Finish	Code no.
zero	-	28	Chrome	45405000
			Brushed Black Chrome	45405340
			Brushed Nickel	45405820
			AXOR FinishPlus*	45405XXX
zero	■	25	Chrome	45407000
			Brushed Black Chrome	45407340
			Brushed Nickel	45407820
			AXOR FinishPlus*	45407XXX

⚠ Required parts (choose one):

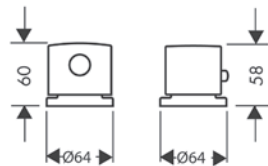
		Code no.
Option 1	AXOR iBox universal 2 Basic set	01400180
+	Adapter plate for iBox universal 2	13588000
Option 2	AXOR iBox universal Basic set	01700180

*AXOR FinishPlus: For further AXOR FinishPlus surfaces please see the AXOR FinishPlus overview on page 33.

2-hole rim mounted thermostatic bath mixer

Features

- / 2 functions
- / Safety stop at 40 °C
- / temperature limitation adjustable
- / suitable for remote spout
- / connection dimension: DN 15
- / connection type: basic set
- / rim mounted



Sustainability



Technologies



Certificates/declarations



Finish	Code no.
Chrome	38480000
Brushed Black Chrome	38480340
Brushed Nickel	38480820
AXOR FinishPlus*	38480XXX

Required parts: Code no.

Basic set for 2-hole rim mounted thermostatic bath mixer	15486180
--	----------

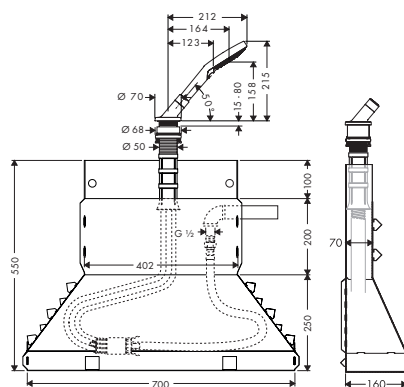
Optional parts: Code no.

Connection tube set for 2-hole rim mounted thermostatic bath mixer	13089000
Flexible connection tube 800 mm	58308000

Rim mounted bath set with hand shower

Features

- / consists of: hand shower, shower holder, shower hose, Secubox, Secuflex hose brake, hose insert
- / suitable for for installation on bath rim or tile surround (no mounting plate available)
- / connection dimension: DN 15
- / drilling diameter on bath tub: Ø 50 mm
- / maximum pull-out length of hand shower 1.10 m



Finish	Code no.
Chrome	19418000
Brushed Bronze	19418140
Brushed Black Chrome	19418340
Brushed Nickel	19418820
Polished Gold Optic	19418990
AXOR FinishPlus*	19418XXX

Consisting of: Included in Code no.

AXOR ShowerSolutions Hand shower 120 3jet	19418XXX	26050XXX
---	----------	----------

Optional parts: Code no.

Secuflex insert extension	98806000
---------------------------	----------

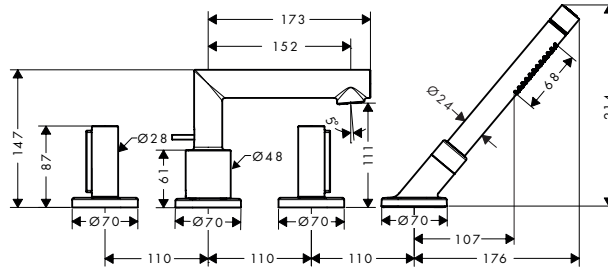
4-hole rim mounted bath mixer with zero handles

Features

/ consists of: 4-hole rim mounted bath mixer, baton hand shower, Secuflex hose set, shower holder
 / 2 functions
 / projection: 152 mm
 / spray type mixer: normal spray
 / spray type hand shower: Rain, MonoRain

/ maximum pull-out length of hand shower: 1.10 m
 / maximum flow rate at 3 bar: 22 l/min
 / flow rate for bath spout at 3 bar: 22 l/min
 / flow rate of hand shower at 3 bar: 16 l/min
 / ceramic valves hot/cold 90°
 / connection dimension: DN15

/ connection type: basic set
 / installation on bath rim
 / min. operating pressure: 1 bar
 / max. operating pressure: 10 bar
 / no additional maintenance opening required



Technologies



Spray types



Finish	Code no.
Chrome	45444000
Brushed Black Chrome	45444340
Brushed Nickel	45444820
AXOR FinishPlus*	45444XXX

Consisting of:



AXOR Starck Baton hand shower 2jet

Included in Code no.
 45444XXX 28532XXX

Required parts:



Basic set for 4-hole rim mounted bath mixer

Code no.
 15480180

Optional parts:



Secuflex insert extension

Code no.
 98806000

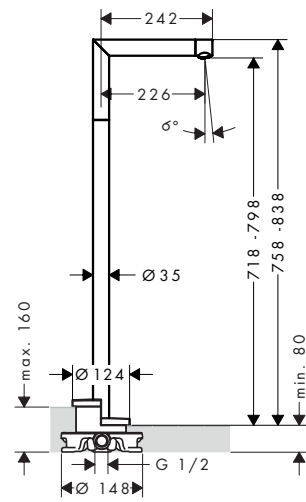
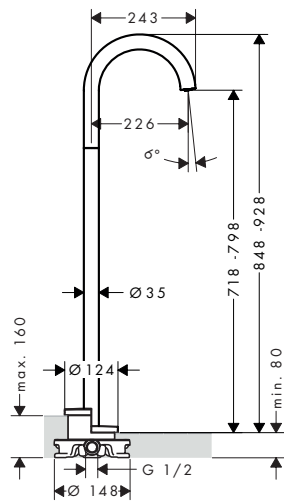
Bath spouts floor-standing

Features of all variants

/ 1 function
/ connection type: basic set

/ projection: 226 mm
/ free-standing installation

/ maximum flow rate at 3 bar: 18 l/min
/ spray type: normal spray



Technologies



Overview variants

Projection (mm)	Version	Finish	Code no.
226	curved	Chrome	38412000
		Brushed Black Chrome	38412340
		Matt Black	38412670
		Matt White	38412700
		Brushed Nickel	38412820
		AXOR FinishPlus*	38412XXX
226	straight	Chrome	45412000
		Brushed Black Chrome	45412340
		Brushed Nickel	45412820
		AXOR FinishPlus*	45412XXX

Required parts: Code no.



Basic set for mixers floor-standing

10452180

Optional parts: Code no.



Sealing foil for basic set bath mixer floor-standing

96441000

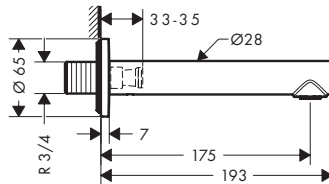
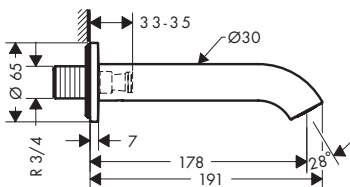
Bath spouts

Features of all variants

/ 1 function
/ with escutcheon

/ wall-mounted
/ maximum flow rate at 3 bar: 19 l/min

/ connection dimension: DN20
/ spray type: normal spray



Overview variants

Projection (mm)	Version	Finish	Code no.
178	curved	Chrome	38411000
		Brushed Black Chrome	38411340
		Matt Black	38411670
		Matt White	38411700
		Brushed Nickel	38411820
175	straight	AXOR FinishPlus*	38411XXX
		Chrome	45410000
		Brushed Black Chrome	45410340
		Brushed Nickel	45410820
		AXOR FinishPlus*	45410XXX

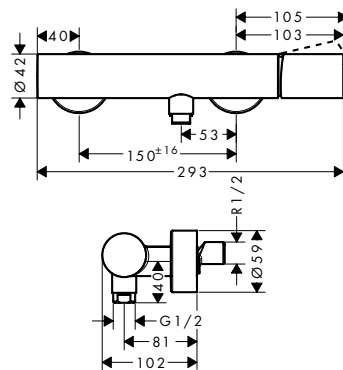
Single lever shower mixer for exposed installation with zero handle

Features

/ consists of: single lever shower mixer
/ 1 function
/ centre distance: 150 ± 16 mm
/ maximum flow rate at 3 bar: 15 l/min
/ ceramic cartridge

/ temperature limitation adjustable
/ non-return valve
/ with silencer
/ suitable for continuous flow water heaters
/ hose connection DN15

/ connection dimension: DN15
/ min. operating pressure: 1 bar
/ max. operating pressure: 10 bar
/ connection type: S-connections



Finish	Code no.
Chrome	45600000
Brushed Black Chrome	45600340
Brushed Nickel	45600820
AXOR FinishPlus*	45600XXX

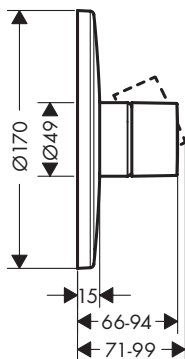
Single lever shower mixer for concealed installation with zero handle

Features

/ 1 function
/ maximum flow rate at 3 bar: 29 l/min
/ ceramic cartridge

/ temperature limitation adjustable
/ with silencer
/ suitable for continuous flow water heaters

/ min. operating pressure: 1 bar
/ max. operating pressure: 10 bar
/ connection type: basic set



Finish	Code no.
Chrome	45605000
Brushed Black Chrome	45605340
Brushed Nickel	45605820
AXOR FinishPlus*	45605XXX

Required parts (choose one):

Option	Image	Description	Code no.
Option 1		AXOR iBox universal 2 Basic set	01400180
	+	Adapter plate for iBox universal 2	13588000
Option 2		AXOR iBox universal Basic set	01700180

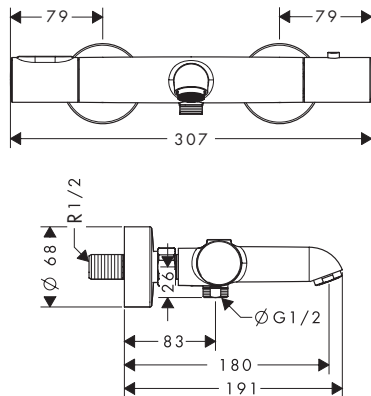
Bath thermostat for exposed installation

Features

/ projection 180 mm
/ 2 functions
/ thermostat cartridge, shut-off/ diverter valve
/ spray type spout: normal spray
/ maximum flow rate at 3 bar: 21 l/min
/ flow rate for bath spout at 3 bar: 21 l/min

/ flow rate of hand shower at 3 bar: 17 l/min
/ min. operating pressure: 1 bar
/ max. operating pressure: 10 bar
/ Safety stop at 40 °C
/ temperature limitation adjustable
/ non-return valve

/ with silencer
/ connection dimension: DN 15
/ connection type: S-connections
/ centre distance: 150 ± 12 mm



Sustainability



Technologies



Finish	Code no.
Chrome	34435000
AXOR FinishPlus*	34435XXX

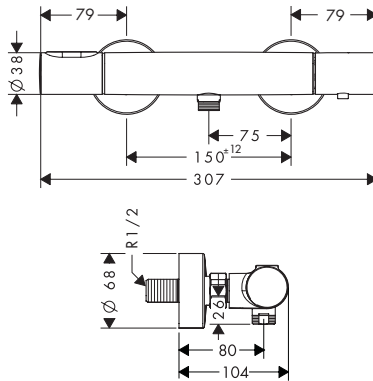
Shower thermostat for exposed installation

Features

/ 1 function
 / thermostat cartridge, ceramic valve 180°
 / maximum flow rate at 3 bar: 20 l/min
 / min. operating pressure: 1 bar

/ max. operating pressure: 10 bar
 / Safety stop at 40 °C
 / temperature limitation adjustable
 / non-return valve

/ with silencer
 / centre distance: 150 ± 12 mm
 / connection dimension: DN15
 / connection type: S-connections



Sustainability



Technologies



Certificates/declarations



Finish	Code no.
Chrome	34635000
AXOR FinishPlus*	34635XXX

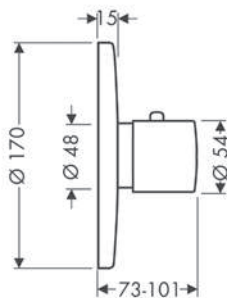
Thermostat HighFlow for concealed installation

Features

/ 1 function
 / thermostat cartridge
 / flow rate upper outlet: 42 l/min
 / flow rate lower outlet: 42 l/min

/ maximum flow rate at 3 bar: 59 l/min
 / min. operating pressure: 1 bar
 / max. operating pressure: 10 bar
 / Safety stop at 40 °C

/ temperature limitation adjustable
 / with silencer
 / connection type: basic set



Technologies



Finish	Code no.
Chrome	38715000
Brushed Black Chrome	38715340
Brushed Nickel	38715820
AXOR FinishPlus*	38715XXX

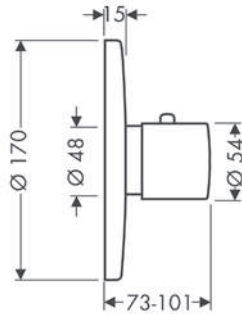
⚠ Required parts (choose one):

Option	Image	Description	Code no.
Option 1		AXOR iBox universal 2 Basic set	01400180
	+	Adapter plate for iBox universal 2	13588000
Option 2		AXOR iBox universal Basic set	01700180

Thermostat for concealed installation

Features

- / 1 function
- / thermostat cartridge
- / maximum flow rate at 3 bar: 43 l/min
- / min. operating pressure: 1 bar
- / max. operating pressure: 10 bar
- / Safety stop at 40 °C
- / temperature limitation adjustable
- / non-return valve
- / with silencer
- / connection type: basic set



Technologies



Finish	Code no.
Chrome	38375000
AXOR FinishPlus*	38375XXX

i This product is only available in the AXOR FinishPlus surfaces Polished and Brushed Bronze via AXOR Signature.

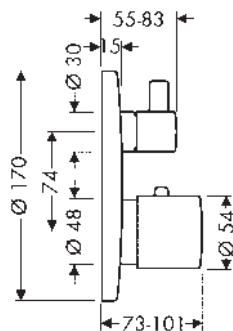
! Required parts (choose one):

		Code no.
Option 1	AXOR iBox universal 2 Basic set	01400180
+	Adapter plate for iBox universal 2	13588000
Option 2	AXOR iBox universal Basic set	01700180

Thermostat for concealed installation with shut-off valve

Features

- / 1 function
- / thermostat cartridge, ceramic valves 90°
- / maximum flow rate at 3 bar: 25 l/min
- / min. operating pressure: 1 bar
- / max. operating pressure: 10 bar
- / Safety stop at 40 °C
- / temperature limitation adjustable
- / non-return valve
- / with silencer
- / connection type: basic set



Sustainability



Technologies





Certificates/declarations



Finish	Code no.
Chrome	38700000
Brushed Black Chrome	38700340
Brushed Nickel	38700820
AXOR FinishPlus*	38700XXX

i This product is only available in the AXOR FinishPlus surfaces Polished and Brushed Bronze via AXOR Signature.

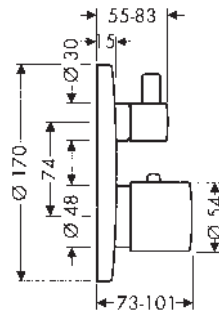
Thermostat for concealed installation with shut-off valve

⚠ Required parts (choose one):			Code no.
Option 1		AXOR iBox universal 2 Basic set	01400180
	+	Adapter plate for iBox universal 2	13588000
Option 2		AXOR iBox universal Basic set	01700180

Thermostat for concealed installation with shut-off/ diverter valve

Features

- / 2 functions
- / thermostat cartridge, shut-off valve
- / flow rate upper outlet: 25 l/min
- / flow rate lower outlet: 29 l/min
- / maximum flow rate at 3 bar: 29 l/min
- / min. operating pressure: 1 bar
- / max. operating pressure: 10 bar
- / Safety stop at 40 °C
- / temperature limitation adjustable
- / non-return valve
- / with silencer
- / connection type: basic set



Sustainability







Technologies





Certificates/declarations



Finish	Code no.
 Chrome	38720000
 Brushed Black Chrome	38720340
 Brushed Nickel	38720820
 AXOR FinishPlus*	38720XXX

i This product is only available in the AXOR FinishPlus surfaces Polished and Brushed Bronze via AXOR Signature.

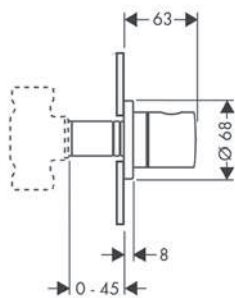
⚠ Required parts (choose one):			Code no.
Option 1		AXOR iBox universal 2 Basic set	01400180
	+	Adapter plate for iBox universal 2	13588000
Option 2		AXOR iBox universal Basic set	01700180

Shut-off valve for concealed installation

Features

/ connection type: DN15/DN20

/ noise class: II



Finish	Code no.
Chrome	38976000
Brushed Black Chrome	38976340
Brushed Nickel	38976820
AXOR FinishPlus*	38976XXX

i This product is only available in the AXOR FinishPlus surface Brushed Bronze via AXOR Signature.

! Required parts (choose one): Code no.

Basic set 40 l/min for shut-off valve for concealed installation ceramic	16974180
Basic set 52 l/min for shut-off valve for concealed installation spindle	16973180
Basic set 130 l/min for shut-off valve for concealed installation spindle	16970180

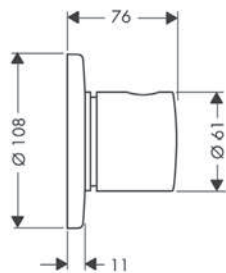
Optional parts: Code no.

Extension set 25 mm for shut-off/ diverter valve Trio-/ Quattro	92990000
---	----------

Shut-off/ diverter valve Trio/ Quattro for concealed installation

Features

/ connection dimension: DN20



Finish	Code no.
Chrome	38933000
Brushed Black Chrome	38933340
Brushed Nickel	38933820
AXOR FinishPlus*	38933XXX

i This product is only available in the AXOR FinishPlus surfaces Polished und Brushed Bronze via AXOR Signature.

! Required parts (choose one): Code no.

Basic set for shut-off/ diverter valve Trio for concealed installation	16982180
Basic set for Quattro four-way diverter valve for concealed installation	16930180

Optional parts: Code no.

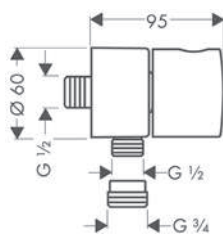
Extension set 25 mm for shut-off/ diverter valve Trio-/ Quattro	92990000
---	----------





Wall outlet stop with shut-off valve

Features

/ hose connection DN15

/ with non-return valve



Finish	Code no.
 Chrome	38882000
 Brushed Black Chrome	38882340
 Brushed Nickel	38882820
 AXOR FinishPlus*	38882XXX



This product is only available in the AXOR FinishPlus surface Polished Bronze via AXOR Signature.

Possible product combinations

Showers



AXOR One

Overhead shower 280 2jet with shower arm

#48492XXX

page 142



AXOR ShowerSolutions

Overhead shower 300 2jet with ceiling connection

#35304XXX

page 467



AXOR ShowerSelect ID

Thermostat for concealed installation round for 2 functions

#36750XXX

page 553

Shower systems



AXOR Starck

Shower column with thermostat and overhead shower 240 1jet

#12672XXX

page 534



AXOR ShowerSolutions

Showerpipe with thermostat 800 and overhead shower 350 1jet

#27984XXX

page 536

Further complementary products



AXOR Universal Circular

Bath towel rail 600 mm

#42860XXX

page 613



AXOR Suite Basins & Bathtub

Wash bowl 400 without tap hole and overflow

#42001XXX

page 656



AXOR Drain

Finish set shower drain 700

#42520XXX

page 688





- Basin
- Bidet
- Bath
- Shower
- Thermostatic mixers / valves / diverters
- Overhead showers
- Hand showers
- Shower sets
- Showerpipe

AXOR MONTREUX

DESIGN
—
PHOENIX



“AXOR Montreux reinterprets the features of the early 20th century with great precision and workmanship, offering users the best in design and functionality.”

ANDREAS HAUG, PHOENIX

AXOR Montreux

The tradition of industrial design

The AXOR Montreux mixer collection is modelled on the first industrially produced mixers from around the turn of the last century. The Belle Époque era symbolizes a time of fundamental change and technical progress. Immortalized in Europe's grand hotels and in Montreux, the legendary spa resort on the shores of Lake Geneva. AXOR Montreux combines outstanding technology with modern functionality.

Design: PHOENIX

Characteristic design feature:

Classic, authentic bathroom design: AXOR Montreux is a modern reinterpretation of industrial design with couplings, valves and pipes. Additive design elements for a richly detailed look.

The designer's idea:

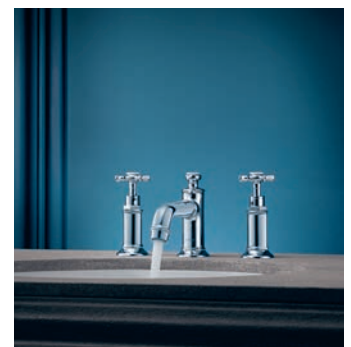
Authentic aesthetics: AXOR Montreux is an authentic, historical journey back in time to the heady days of industrialization. The collection combines the design of the first industrially manufactured mixers from the turn of the last century with outstanding technology and modern functionality, bringing the Belle Époque into the 21st century.

Special collection highlights:

- / Two handle variants: classic with cross handles, modern reinterpretation with lever handles
- / Various spout heights for wash basin mixers
- / The bridge mixer: A classic three-hole variant
- / Particular attention to detail: Porcelain inlays— with individualized inscriptions by request
- / Perfect for an overall classic atmosphere and for classic accents in a modern atmosphere
- / 2016: AXOR Montreux collection of 2006 expanded to include single lever mixer and lever handle variants

Additive design in the tradition of the industrial age

AXOR Montreux pays homage to the Belle Époque. Along with wash basin mixers, it offers products for every bathroom area. The collection includes classic versions with low spouts and modern reinterpretations with high spouts. Choose from cross handles or lever handles.

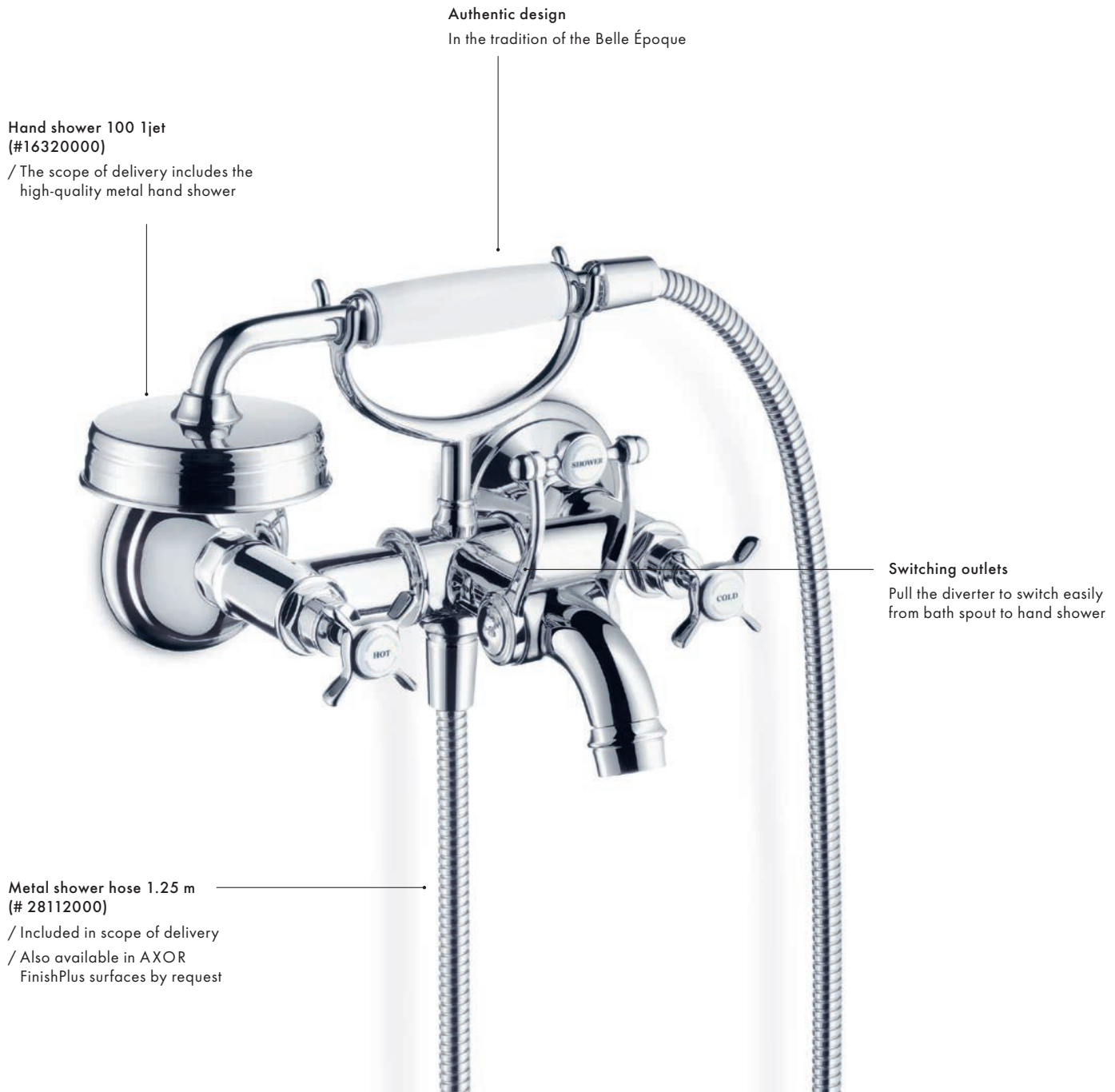






Classic design for the bathtub

The AXOR Montreux collection includes a broad spectrum of products for the bathtub to cover a variety of spatial requirements. From the two-handle bath mixer for exposed installation to the four-hole rim- or tile-mounted bath mixer, the products in the collection are available with either cross handles or lever handles. A real eye-catcher—the floor-standing bath mixer. In combination with a free-standing bathtub, it offers an extra degree of flexibility in bathroom design.



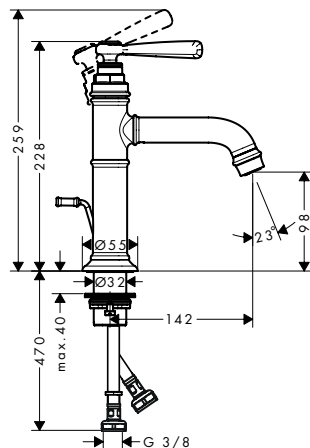
Single lever basin mixers

Features of all variants

/ consists of: single lever basin mixer, waste set
 / ComfortZone: 100
 / projection: 142 mm
 / spout height: 98 mm
 / handle variant: lever handle

/ spray type: normal spray
 / maximum flow rate at 3 bar: 5 l/min
 / ceramic cartridge
 / temperature limitation adjustable
 / suitable for continuous flow water heaters

/ connection type: G 3/8 hose connections
 / connection dimension: DN 15
 / EU taxonomy: max. 6 l/min - Substantial Contribution (SC) possible



Sustainability



Technologies



Certificates/declarations



Overview variants

ComfortZone	Projection (mm)	Spout height (mm)	Waste set	Finish	Code no.
100	142	98	pop-up	Chrome	16515000
				Brushed Black Chrome	16515340
				Brushed Nickel	16515820
				AXOR FinishPlus*	16515XXX
				Chrome	16516000
100	142	98	non-closing	Brushed Black Chrome	16516340
				Brushed Nickel	16516820
				AXOR FinishPlus*	16516XXX

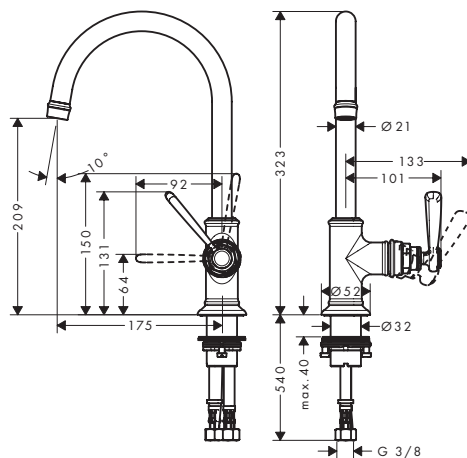
Single lever basin mixers with swivel spout

Features of all variants

/ consists of: single lever basin mixer, waste set
 / ComfortZone: 210
 / projection: 175 mm
 / spout height: 209 mm
 / handle variant: lever handle

/ swivel range 120°
 / spray type: laminar spray
 / maximum flow rate at 3 bar: 5 l/min
 / ceramic cartridge
 / temperature limitation adjustable

/ suitable for continuous flow water heaters
 / connection type: G 3/8 hose connections
 / connection dimension: DN 15
 / EU taxonomy: max. 6 l/min - Substantial Contribution (SC) possible



Sustainability



Technologies



Overview variants

ComfortZone	Projection (mm)	Spout height (mm)	Waste set	Finish	Code no.
210	175	209	pop-up	Chrome	16517000
				Brushed Black Chrome	16517340
				Brushed Nickel	16517820
				AXOR FinishPlus*	16517XXX

Single lever basin mixers with swivel spout

Overview variants

ComfortZone	Projection (mm)	Spout height (mm)	Waste set	Finish	Code no.
210	175	209	non-closing	● Chrome	16518000
				● Brushed Black Chrome	16518340
				● Brushed Nickel	16518820
				● AXOR FinishPlus*	16518XXX

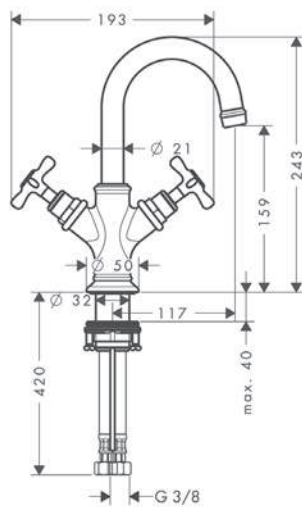
2-handle basin mixer 160 with cross handles for hand wash basins with pop-up waste set

Features

/ consists of: 2-handle basin mixer, waste set
 / ComfortZone: 160
 / projection: 117 mm
 / spout height: 159 mm
 / handle variant: cross handle

/ swivel range 120°
 / spray type: laminar spray
 / maximum flow rate at 3 bar: 5 l/min
 / ceramic valves hot/cold 90°
 / suitable for continuous flow water heaters

/ pop-up waste set G 1¼
 / connection type: G ¾ hose connections
 / connection dimension: DN15
 / EU taxonomy: max. 6 l/min - Substantial Contribution (SC) possible



Sustainability



Technologies



Certificates/declarations



Finish	Code no.
● Chrome	16505000
● Brushed Black Chrome	16505340
● Brushed Nickel	16505820
● AXOR FinishPlus*	16505XXX

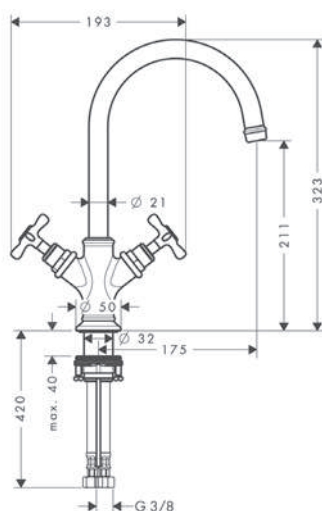
2-handle basin mixers

Features of all variants

/ consists of: 2-handle basin mixer, waste set
 / ComfortZone: 210
 / projection: 175 mm
 / spout height: 211 mm
 / handle variant: cross handle

/ swivel range 120°
 / spray type: laminar spray
 / maximum flow rate at 3 bar: 5 l/min
 / ceramic valves hot/cold 90°
 / suitable for continuous flow water heaters

/ connection type: G ¾ hose connections
 / connection dimension: DN15
 / EU taxonomy: max. 6 l/min - Substantial Contribution (SC) possible



Sustainability



Technologies











For more information about this product, please see the next page.

*AXOR FinishPlus: For further AXOR FinishPlus surfaces please see the AXOR FinishPlus overview on page 33.

2-handle basin mixers

Overview variants

ComfortZone	Projection (mm)	Spout height (mm)	Waste set	Finish	Code no.
210	175	211	pop-up	 Chrome	16502000
				 Brushed Black Chrome	16502340
				 Brushed Nickel	16502820
				 AXOR FinishPlus*	16502XXX
210	175	211	non-closing	 Chrome	16506000
				 Brushed Black Chrome	16506340
				 Brushed Nickel	16506820
				 AXOR FinishPlus*	16506XXX

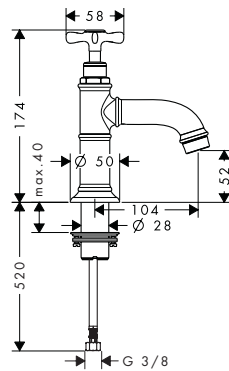
Pillar tap 50 with lever handle without waste set

Features

/ ComfortZone: 50
 / projection: 104 mm
 / spout height: 52 mm
 / handle variant: cross handle

/ spray type: normal spray
 / maximum flow rate at 3 bar: 5 l/min
 / ceramic valves 90°
 / for cold water connection

/ connection type: G 3/8 hose connection
 / connection dimension: DN 15
 / EU taxonomy: max. 6 l/min - Substantial Contribution (SC) possible







Sustainability



Technologies



Finish	Code no.
 Chrome	16530000
 Brushed Black Chrome	16530340
 Brushed Nickel	16530820
 AXOR FinishPlus*	16530XXX

2-handle basin mixers

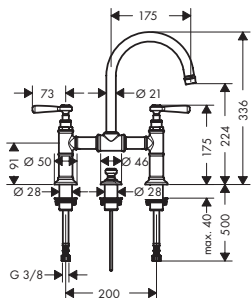
Features of all variants

/ consists of: 2-handle basin mixer, waste set
 / ComfortZone: 220
 / projection: 175 mm
 / spout height: 224 mm
 / swivel range 120°

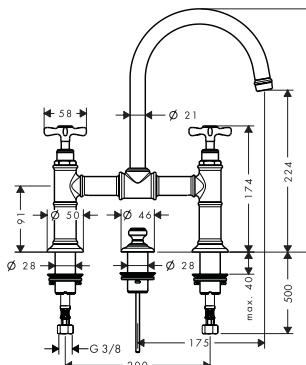
/ maximum flow rate at 3 bar: 5 l/min
 / ceramic valves hot/cold 90°
 / suitable for continuous flow water heaters
 / pop-up waste set G 1 1/4
 / connection type: G 3/8 hose connections

/ connection dimension: DN15
 / EU taxonomy: max. 6 l/min - Substantial Contribution (SC) possible

lever handle



cross handle



Sustainability



Technologies



Overview variants

ComfortZone	Projection (mm)	Spout height (mm)	Handle version	Finish	Code no.
220	175	224	lever	<ul style="list-style-type: none"> Chrome Brushed Black Chrome Brushed Nickel AXOR FinishPlus* 	<ul style="list-style-type: none"> 16511000 16511340 16511820 16511XXX
220	175	224	cross	<ul style="list-style-type: none"> Chrome Brushed Black Chrome Brushed Nickel AXOR FinishPlus* 	<ul style="list-style-type: none"> 16510000 16510340 16510820 16510XXX

3-hole basin mixers

Features of all variants

/ consists of: 3-hole basin mixer, waste set
 / ComfortZone: 30
 / projection: 143 mm
 / spout height: 30 mm
 / spray type: normal spray

/ maximum flow rate at 3 bar: 5 l/min
 / ceramic valves hot/cold 90°
 / suitable for continuous flow water heaters
 / pop-up waste set G 1 1/4
 / connection type: G 3/8 hose connections

/ connection dimension: DN15
 / EU taxonomy: max. 6 l/min - Substantial Contribution (SC) possible

lever handle



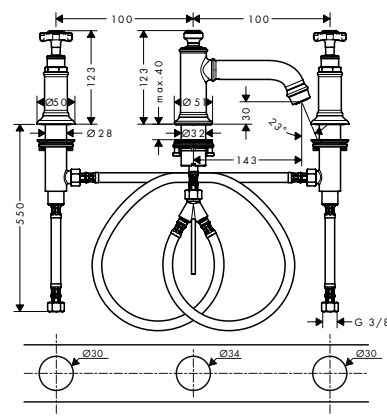
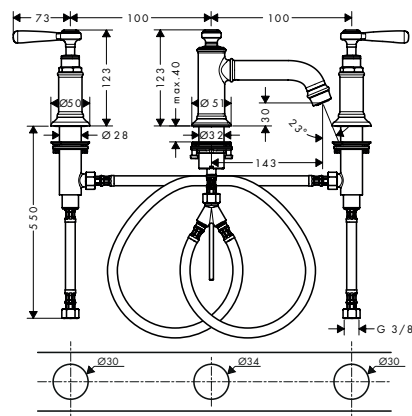
cross handle



Sustainability



Technologies



For more information about this product, please see the next page.

3-hole basin mixers

Overview variants

ComfortZone	Projection (mm)	Spout height (mm)	Handle version	Finish	Code no.
30	143	30	lever	Chrome	16535000
				Brushed Black Chrome	16535340
				Brushed Nickel	16535820
				AXOR FinishPlus*	16535XXX
30	143	30	cross	Chrome	16536000
				Brushed Black Chrome	16536340
				Brushed Nickel	16536820
				AXOR FinishPlus*	16536XXX

Optional parts:

	Code no.
 Hose extension set for 3-hole basin mixer	38959000

3-hole basin mixers

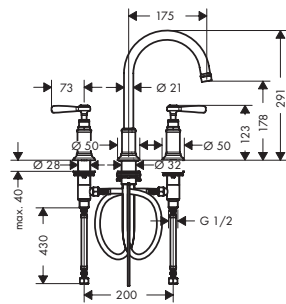
Features of all variants

/ consists of: 3-hole basin mixer, waste set
 / ComfortZone: 180
 / projection: 175 mm
 / spout height: 179 mm
 / swivel range 120°

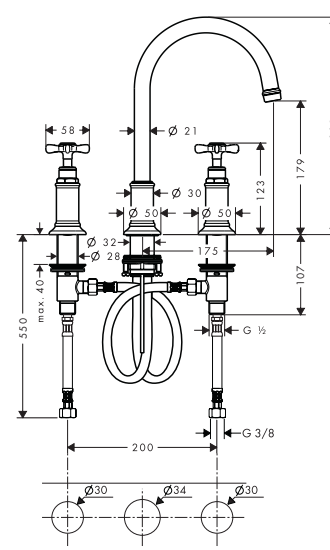
/ spray type: laminar spray
 / maximum flow rate at 3 bar: 5 l/min
 / ceramic valves hot/cold 90°
 / suitable for continuous flow water heaters
 / pop-up waste set G 1¼

/ connection type: G ¾ hose connections
 / connection dimension: DN15
 / EU taxonomy: max. 6 l/min - Substantial Contribution (SC) possible

lever handle



cross handle



Sustainability



Technologies



Overview variants

ComfortZone	Projection (mm)	Spout height (mm)	Handle version	Finish	Code no.
180	175	179	lever	Chrome	16514000
				Brushed Black Chrome	16514340
				Brushed Nickel	16514820
				AXOR FinishPlus*	16514XXX
180	175	179	cross	Chrome	16513000
				Brushed Black Chrome	16513340
				Brushed Nickel	16513820
				AXOR FinishPlus*	16513XXX

Optional parts:

	Code no.
 Hose extension set for 3-hole basin mixer	38959000

3-hole basin mixers wall mounted

Features of all variants

/ consists of: 3-hole basin mixer for concealed installation wall-mounted, waste set
 / projection: 165 - 225 mm
 / spray type: normal spray

/ maximum flow rate at 3 bar: 5 l/min
 / ceramic valves hot/cold 90°
 / suitable for continuous flow water heaters
 / non-closing waste set

/ connection type: basic set
 / connection dimension: DN15
 / EU taxonomy: max. 6 l/min - Substantial Contribution (SC) possible

lever handle



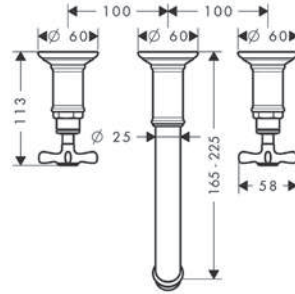
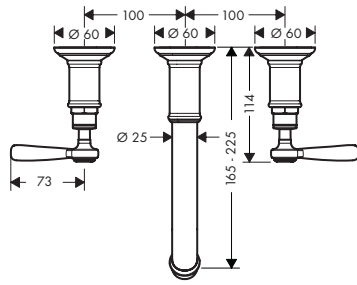
cross handle



Sustainability



Technologies



Overview variants

Projection (mm)	Handle version	Finish	Code no.
165	lever	Chrome	16534000
		Brushed Black Chrome	16534340
		Brushed Nickel	16534820
		AXOR FinishPlus*	16534XXX
165	cross	Chrome	16532000
		Brushed Black Chrome	16532340
		Brushed Nickel	16532820
		AXOR FinishPlus*	16532XXX

Required parts:



Basic set for 3-hole basin mixer for concealed installation wall-mounted

Code no.

10303180

Optional parts:



Seal

Code no.

96383000



AXOR Starck Extension set 25 mm for basic set for 3-hole basin mixer wall-mounted

Code no.

96259000

* AXOR FinishPlus: For further AXOR FinishPlus surfaces please see the AXOR FinishPlus overview on page 33.

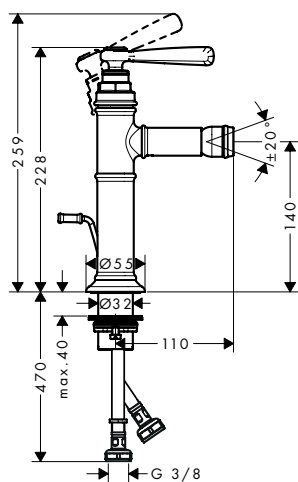
Single lever bidet mixer with lever handle and pop-up waste set

Features

/ consists of: single lever bidet mixer, waste set
 / projection: 110 mm
 / spout height: 140 mm
 / aerator with ball pivot

/ spray type: normal spray
 / maximum flow rate at 3 bar: 5 l/min
 / ceramic cartridge
 / suitable for continuous flow water heaters

/ pop-up waste set G 1 1/4
 / connection type: G 3/8 hose connections
 / EU taxonomy: max. 6 l/min - Substantial Contribution (SC) possible



Sustainability



Technologies



Finish	Code no.
Chrome	16526000
Brushed Black Chrome	16526340
Brushed Nickel	16526820
AXOR FinishPlus*	16526XXX

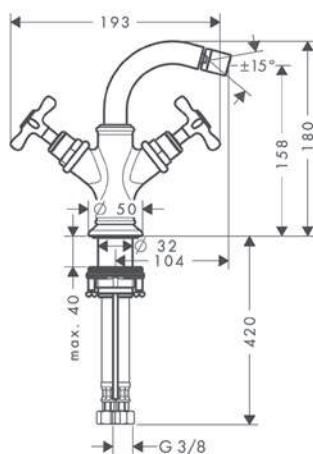
2-handle bidet mixer with cross handles and pop-up waste set

Features

/ consists of: 2-handle bidet mixer, waste set
 / projection: 104 mm
 / spout height: 158 mm
 / ball-pivot joint

/ spray type: laminar spray
 / maximum flow rate at 3 bar: 7,5 l/min
 / ceramic valves hot/ cold 180°
 / suitable for continuous flow water heaters

/ pop-up waste set G 1 1/4
 / connection type: G 3/8 hose connections



Finish	Code no.
Chrome	16520000
Brushed Black Chrome	16520340
Brushed Nickel	16520820
AXOR FinishPlus*	16520XXX

2-handle bath mixers for exposed installation

Features of all variants

/ consists of: 2-handle bath mixer, hand shower, shower holder, shower hose
 / 2 functions
 / projection: 224 mm
 / centre distance: 170 ± 32 mm
 / spray type mixer: normal spray

/ spray type hand shower: RainAir
 / maximum flow rate at 3 bar: 20 l/min
 / flow rate for bath spout at 3 bar: 20 l/min
 / flow rate of hand shower at 3 bar: 14 l/min
 / ceramic valves hot/cold 90°
 / non-return valve

/ suitable for continuous flow water heaters
 / connection dimension: DN15
 / connection type: S-connections
 / wall-mounted
 / min. operating pressure: 1 bar
 / max. operating pressure: 10 bar

lever handle



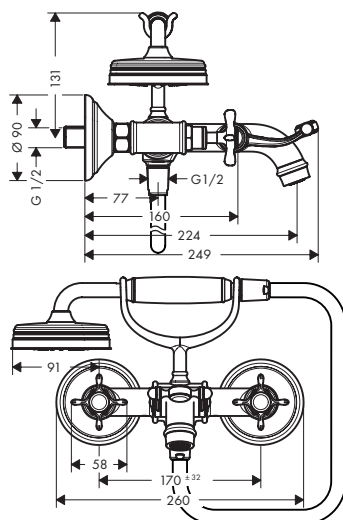
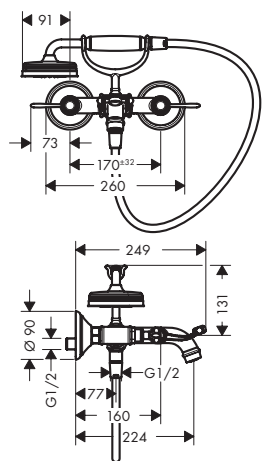
cross handle



Technologies



Spray types



Overview variants

Projection (mm)	Handle version	Finish	Code no.
224	lever	Chrome	16551000
		Brushed Black Chrome	16551340
		Brushed Nickel	16551820
		AXOR FinishPlus*	16551XXX
224	cross	Chrome	16540000
		Brushed Black Chrome	16540340
		Brushed Nickel	16540820
		AXOR FinishPlus*	16540XXX

Consisting of:



AXOR Montreux Hand shower 100 1jet

Included in

Code no.

16551XXX 16320XXX
 16540XXX



Metal shower hose 1.25 m

16551XXX 28112XXX
 16540XXX

* AXOR FinishPlus: For further AXOR FinishPlus surfaces please see the AXOR FinishPlus overview on page 33.

2-handle bath mixers floor-standing

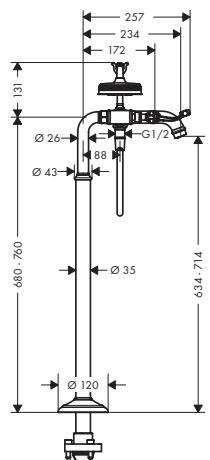
Features of all variants

/ consists of: 2-handle bath mixer floor standing,
hand shower, shower hose, shower holder
/ 2 functions
/ projection: 234 mm
/ spray type mixer: normal spray

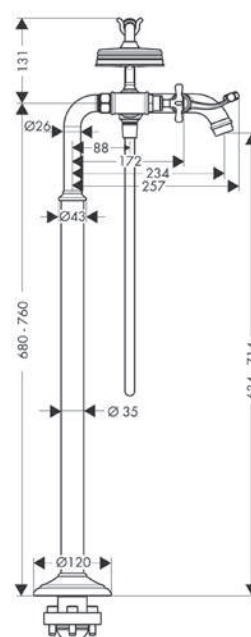
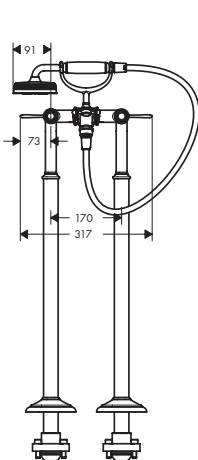
/ spray type hand shower: RainAir
/ non-return valve
/ suitable for continuous flow water heaters
/ connection dimension: DN15
/ connection type: basic set

/ deck mounted
/ min. operating pressure: 1 bar
/ max. operating pressure: 10 bar

lever handle



cross handle



Technologies



Spray types



Overview variants

Projection (mm)	Handle version	Finish	Code no.
234	lever	Chrome	16553000
		Brushed Black Chrome	16553340
		Brushed Nickel	16553820
		AXOR FinishPlus*	16553XXX
234	cross	Chrome	16547000
		Brushed Black Chrome	16547340
		Brushed Nickel	16547820

Consisting of:



AXOR Montreux Hand shower 100 1jet

Included in
16553XXX 16320XXX
16547XXX



Metal shower hose 1.25 m

16553XXX 28112XXX
16547XXX

Required parts:



AXOR Montreux Basic set for 2-handle bath mixer floor-standing

Code no.
16549180

Optional parts:



Sealing foil for basic set bath mixer floor-standing

Code no.
96441000

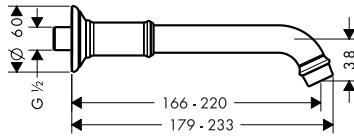
Bath spout

Features

/ 1 function
/ connection type: G 3/4

/ projection: 166 - 220 mm
/ maximum flow rate at 3 bar: 20 l/min

/ spray type: normal spray



Technologies



Finish	Code no.
Chrome	16541000
Brushed Black Chrome	16541340
Brushed Nickel	16541820
AXOR FinishPlus*	16541XXX

4-hole rim mounted bath mixers

Features of all variants

/ consists of: 4-hole rim mounted bath mixer, hand shower, shower hose, shower holder
/ 2 functions
/ projection: 196 mm
/ spray type mixer: normal spray
/ spray type hand shower: RainAir

/ maximum pull-out length of hand shower: 1.10 m
/ maximum flow rate at 3 bar: 20,5 l/min
/ flow rate for bath spout at 3 bar: 20,5 l/min
/ flow rate of hand shower at 3 bar: 15 l/min
/ non-return valve
/ connection dimension: DN15

/ connection type: basic set
/ installation on bath rim
/ min. operating pressure: 1 bar
/ max. operating pressure: 10 bar

lever handle

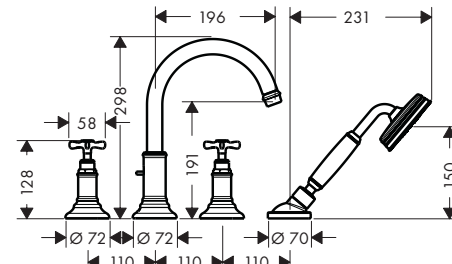
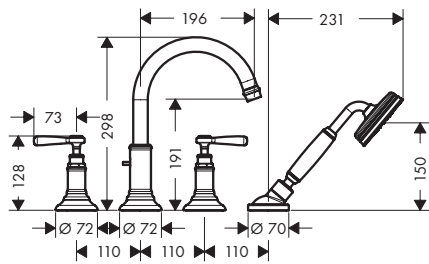
cross handle



Technologies



Spray types






Overview variants

Projection (mm)	Handle version	Finish	Code no.
196	lever	Chrome	16550000
		Brushed Black Chrome	16550340
		Brushed Nickel	16550820
		AXOR FinishPlus*	16550XXX
196	cross	Chrome	16546000
		Brushed Black Chrome	16546340
		Brushed Nickel	16546820
		AXOR FinishPlus*	16546XXX

For more information about this product, please see the next page.

4-hole rim mounted bath mixers

Consisting of:		Included in	Code no.
	AXOR Montreux Hand shower 100 1jet	16550XXX 16546XXX	16320XXX
Required parts:		Code no.	
	Basic set for 4-hole rim mounted bath mixer	15480180	
Optional parts:		Code no.	
	Secuflex insert extension	98806000	

4-hole tile mounted bath mixers

Features of all variants

- / 2 functions
- / projection: 196 mm
- / spray type mixer: normal spray
- / spray type hand shower: RainAir
- / maximum pull-out length of hand shower: 1.10 m
- / maximum flow rate at 3 bar: 21 l/min
- / flow rate for bath spout at 3 bar: 21 l/min
- / flow rate of hand shower at 3 bar: 15 l/min
- / non-return valve
- / connection dimension: DN 15
- / connection type: basic set
- / tile mounted
- / min. operating pressure: 1 bar
- / max. operating pressure: 10 bar

lever handle



cross handle












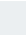
Technologies






Spray types



Overview variants

Projection (mm)	Handle version	Finish	Code no.
196	lever	 Chrome	16554000
		 Brushed Black Chrome	16554340
		 Brushed Nickel	16554820
		 AXOR FinishPlus*	16554XXX
		 AXOR FinishPlus*	16554XXX
196	cross	 Chrome	16544000
		 Brushed Black Chrome	16544340
		 Brushed Nickel	16544820
		 AXOR FinishPlus*	16544XXX
		 AXOR FinishPlus*	16544XXX

Consisting of:		Included in	Code no.
	AXOR Montreux Hand shower 100 1jet	16554XXX 16544XXX	16320XXX
Required parts:		Code no.	
	Basic set for 4-hole tile mounted bath mixer	15481180	
Optional parts:		Code no.	
	Secuflex insert extension	98806000	

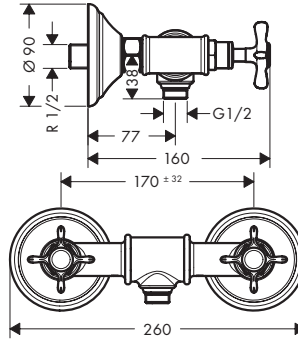
2-handle shower mixer for exposed installation with cross handles

Features

- / 1 function
- / centre distance: 170 ± 32 mm
- / maximum flow rate at 3 bar: 11 l/min
- / ceramic valves hot/ cold 180°

- / non-return valve
- / suitable for continuous flow water heaters
- / hose connection DN15
- / connection dimension: DN15

- / min. operating pressure: 1 bar
- / max. operating pressure: 10 bar
- / connection type: S-connections



Finish	Code no.
Chrome	16560000
Brushed Black Chrome	16560340
Brushed Nickel	16560820
AXOR FinishPlus*	16560XXX

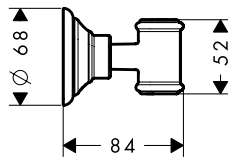
Shower holder

Features

- / fixed holding position
- / for shower hoses with conical nut
- / material: metal

- / conical mount
- / dimensions: 68 x 68 x 84 mm (HxWxD)
- / diameter drill hole: 6 mm

- / 2 drill holes



Finish	Code no.
Chrome	16325000
Brushed Black Chrome	16325340
Brushed Nickel	16325820
AXOR FinishPlus*	16325XXX

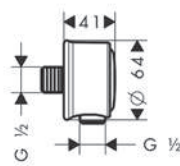
Wall outlet with non-return valve

Features

- / metal connection angle

- / non-return valve

- / connection type: G 1/2



Finish	Code no.
Chrome	16884000
Brushed Black Chrome	16884340
Brushed Nickel	16884820
AXOR FinishPlus*	16884XXX

* AXOR FinishPlus: For further AXOR FinishPlus surfaces please see the AXOR FinishPlus overview on page 33.

Wall outlets with non-return valve

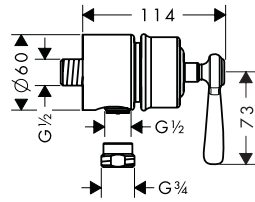
Features of all variants

/ connection type: DN15

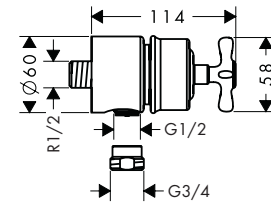
/ hose connection DN15

/ with non-return valve

lever handle



cross handle



Overview variants

Handle version	Finish	Code no.
lever	Chrome	16883000
	Brushed Black Chrome	16883340
	Brushed Nickel	16883820
	AXOR FinishPlus*	16883XXX
cross	Chrome	16882000
	Brushed Black Chrome	16882340
	Brushed Nickel	16882820
	AXOR FinishPlus*	16882XXX

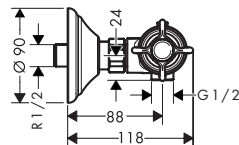
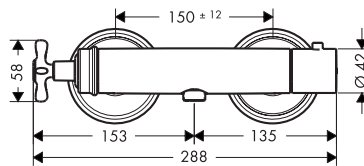
Shower thermostat for exposed installation with cross handle

Features

/ 1 function
 / thermostat cartridge, ceramic valve 180°
 / maximum flow rate at 3 bar: 16 l/min
 / min. operating pressure: 1 bar

/ max. operating pressure: 10 bar
 / Safety stop at 40 °C
 / temperature limitation adjustable
 / non-return valve

/ with silencer
 / centre distance: 150 ± 12 mm
 / connection dimension: DN15
 / connection type: S-connections



Sustainability



Technologies



Finish	Code no.
Chrome	16261000
Brushed Black Chrome	16261340
Brushed Nickel	16261820
AXOR FinishPlus*	16261XXX

Thermostats HighFlow for concealed installation

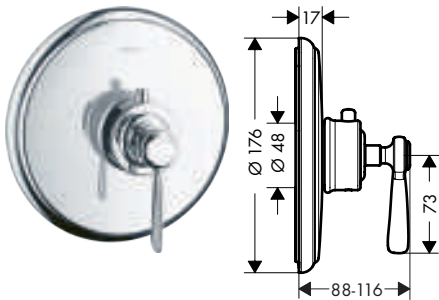
Features of all variants

/ 1 function
 / thermostat cartridge
 / flow rate upper outlet: 42 l/min
 / flow rate lower outlet: 42 l/min

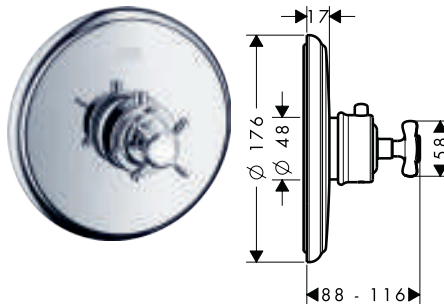
/ maximum flow rate at 3 bar: 59 l/min
 / min. operating pressure: 1 bar
 / max. operating pressure: 10 bar
 / Safety stop at 40 °C

/ temperature limitation adjustable
 / non-return valve
 / with silencer
 / connection type: basic set

lever handle



cross handle



Technologies



Overview variants

Handle version	Finish	Code no.
lever	Chrome	16824000
	Brushed Black Chrome	16824340
	Brushed Nickel	16824820
	AXOR FinishPlus*	16824XXX
cross	Chrome	16815000
	Brushed Black Chrome	16815340
	Brushed Nickel	16815820
	AXOR FinishPlus*	16815XXX

Required parts (choose one):

Option	Image	Description	Code no.
Option 1		AXOR iBox universal 2 Basic set	01400180
	+		
		Adapter plate for iBox universal 2	13588000
Option 2		AXOR iBox universal Basic set	01700180

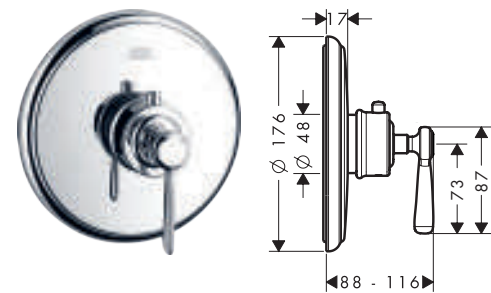
* AXOR FinishPlus: For further AXOR FinishPlus surfaces please see the AXOR FinishPlus overview on page 33.

Shower thermostats for concealed installation

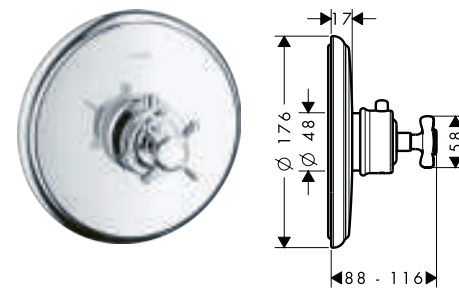
Features of all variants

- / 1 function
- / thermostat cartridge
- / maximum flow rate at 3 bar: 43 l/min
- / min. operating pressure: 1 bar
- / max. operating pressure: 10 bar
- / Safety stop at 40 °C
- / temperature limitation adjustable
- / connection type: basic set

lever handle



cross handle






Technologies



Overview variants

Handle version	Finish	Code no.
lever	Chrome	16823000
	Brushed Black Chrome	16823340
	Brushed Nickel	16823820
	AXOR FinishPlus*	16823XXX
cross	Chrome	16810000
	Brushed Black Chrome	16810340
	Brushed Nickel	16810820
	AXOR FinishPlus*	16810XXX

Required parts (choose one):		Code no.
Option 1	 AXOR iBox universal 2 Basic set	01400180
	+  Adapter plate for iBox universal 2	13588000
Option 2	 AXOR iBox universal Basic set	01700180

Thermostats for concealed installation with shut-off valve

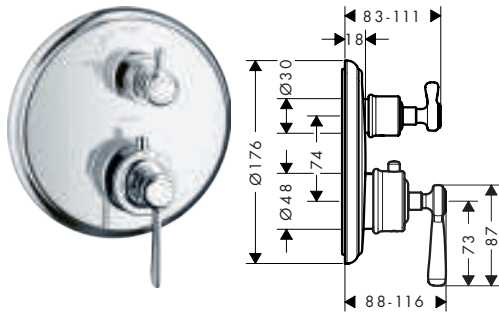
Features of all variants

/ 1 function
 / thermostat cartridge, ceramic valves 90°
 / maximum flow rate at 3 bar: 25 l/min
 / min. operating pressure: 1 bar

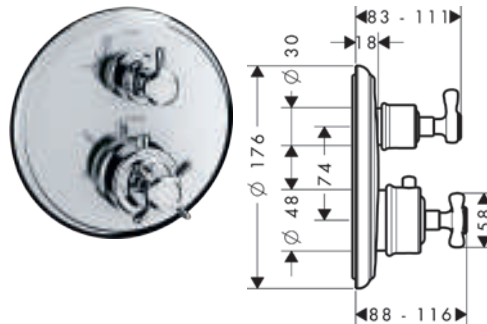
/ max. operating pressure: 10 bar
 / Safety stop at 40 °C
 / temperature limitation adjustable
 / non-return valve

/ with silencer
 / connection type: basic set

lever handle



cross handle



Sustainability



Technologies



Overview variants

Handle version	Finish	Code no.
lever	Chrome	16801000
	Brushed Black Chrome	16801340
	Stainless Steel Optic	16801800
	Brushed Nickel	16801820
	AXOR FinishPlus*	16801XXX
cross	Chrome	16800000
	Brushed Black Chrome	16800340
	Brushed Nickel	16800820
	AXOR FinishPlus*	16800XXX

⚠ Required parts (choose one):

Option	Image	Description	Code no.
Option 1		AXOR iBox universal 2 Basic set	01400180
		Adapter plate for iBox universal 2	13588000
Option 2		AXOR iBox universal Basic set	01700180

* AXOR FinishPlus: For further AXOR FinishPlus surfaces please see the AXOR FinishPlus overview on page 33.

Thermostats for concealed installation with shut-off and diverter valve

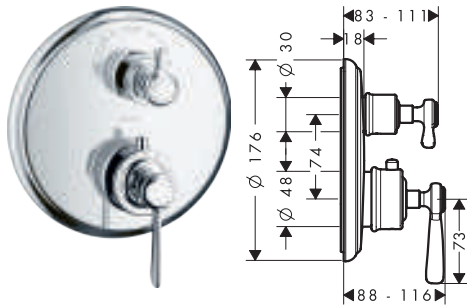
Features of all variants

/ 2 functions
 / thermostat cartridge, shut-off valve
 / flow rate upper outlet: 25 l/min
 / flow rate lower outlet: 29 l/min

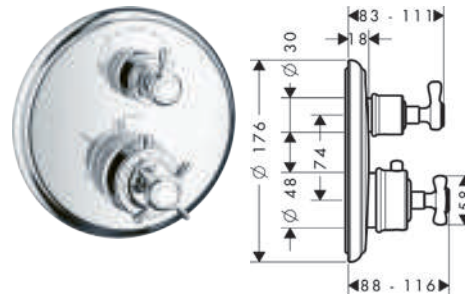
/ maximum flow rate at 3 bar: 29 l/min
 / min. operating pressure: 1 bar
 / max. operating pressure: 10 bar
 / Safety stop at 40 °C

/ temperature limitation adjustable
 / non-return valve
 / with silencer
 / connection type: basic set

lever handle



cross handle



Sustainability



Technologies



Certificates/declarations



Overview variants

Handle version	Finish	Code no.
lever	Chrome	16821000
	Brushed Black Chrome	16821340
	Brushed Nickel	16821820
	AXOR FinishPlus*	16821XXX
	Chrome	16820000
cross	Brushed Black Chrome	16820340
	Brushed Nickel	16820820
	AXOR FinishPlus*	16820XXX

Required parts (choose one):

Option	Image	Description	Code no.
Option 1		AXOR iBox universal 2 Basic set	01400180
	+	Adapter plate for iBox universal 2	13588000
Option 2		AXOR iBox universal Basic set	01700180

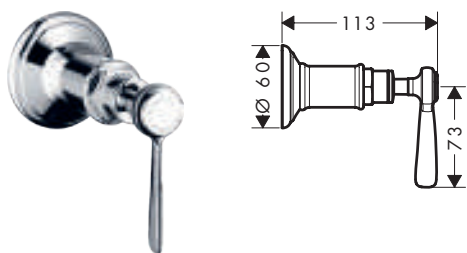
Shut-off valves for concealed installation

Features of all variants

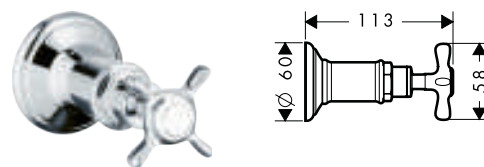
/ connection type: DN15/DN20

/ noise class: II

lever handle











cross handle






Shut-off valves for concealed installation


Overview variants

Handle version	Finish	Code no.
lever	 Chrome	16872000
	 Brushed Black Chrome	16872340
	 Brushed Nickel	16872820
	 AXOR FinishPlus*	16872XXX
cross	 Chrome	16871000
	 Brushed Black Chrome	16871340
	 Brushed Nickel	16871820
	 AXOR FinishPlus*	16871XXX

Required parts:





	Code no.
 Basic set 130 l/min for shut-off valve for concealed installation spindle	16970180
 Basic set 40 l/min for shut-off valve for concealed installation ceramic	16974180
 Basic set 52 l/min for shut-off valve for concealed installation spindle	16973180

Optional parts:



	Code no.
 Extension set 25 mm for shut-off/ diverter valve Trio-/ Quattro	92990000

Shut-off/ diverter valve Trio/ Quattro for concealed installation with cross handle




Finish	Code no.
 Chrome	16830000
 Brushed Black Chrome	16830340
 Brushed Nickel	16830820
 AXOR FinishPlus*	16830XXX

Required parts:

	Code no.
 Basic set for Quattro four-way diverter valve for concealed installation	16930180
 Basic set for shut-off/ diverter valve Trio for concealed installation	16982180

Optional parts:

	Code no.
 Extension set 25 mm for shut-off/ diverter valve Trio-/ Quattro	92990000

Overhead showers 1jet

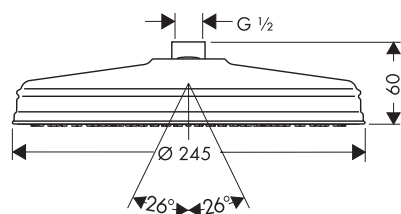
Features of all variants

/ spray type: RainAir
 / minimum flow pressure: 1,5 bar
 / overhead shower angle adjustable

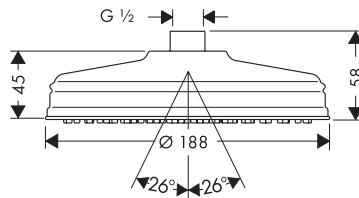
/ material spray disc: metal
 / spray disc removable for cleaning
 / installation: ceiling or wall

/ connection thread: G 1/2
 / connection dimension: DN 15
 / suitable for continuous flow water heaters

240



180



Technologies



Spray types



Certificates/declarations



Overview variants

Shower head size	Number of sprays	Spray types	Max. flow rate at 3 bar (l/min)	Min. flow pressure (bar)	Finish	Code no.
240	1	RainAir	17	1.5	Chrome	28474000
					Brushed Black Chrome	28474340
					Brushed Nickel	28474820
					AXOR FinishPlus*	28474XXX
180	1	RainAir	18	1.5	Chrome	28487000
					Brushed Black Chrome	28487340
					Brushed Nickel	28487820
					AXOR FinishPlus*	28487XXX

Optional parts:

Optional parts:	Finish	Code no.
 AXOR Montreux Shower arm 389 mm	Chrome	27348000
	Brushed Black Chrome	27348340
	Brushed Nickel	27348820
	AXOR FinishPlus*	27348XXX
 AXOR ShowerSolutions Ceiling connector 100 mm	Chrome	26432000
	Brushed Black Chrome	26432340
	Brushed Nickel	26432820
	AXOR FinishPlus*	26432XXX
 AXOR ShowerSolutions Ceiling connector 300 mm	Chrome	26433000
	Brushed Black Chrome	26433340
	Brushed Nickel	26433820
	AXOR FinishPlus*	26433XXX

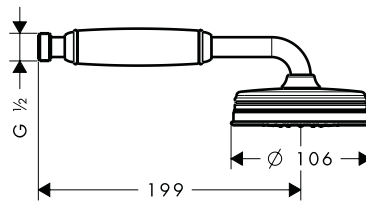
Hand shower 100 1jet

Features

- / shower head size: 100 mm
- / spray type: RainAir
- / spray disc surface: grey

- / QuickClean: Limescale deposits can simply be rubbed off with your finger
- / maximum flow rate at 3 bar: 16 l/min
- / minimum flow pressure: 1 bar

- / rinseable filter washer
- / connection thread: G 1/2
- / suitable for continuous flow water heaters



Technologies



Spray types



Finish	Code no.
Chrome	16320000
Brushed Black Chrome	16320340
Brushed Nickel	16320820
AXOR FinishPlus*	16320XXX

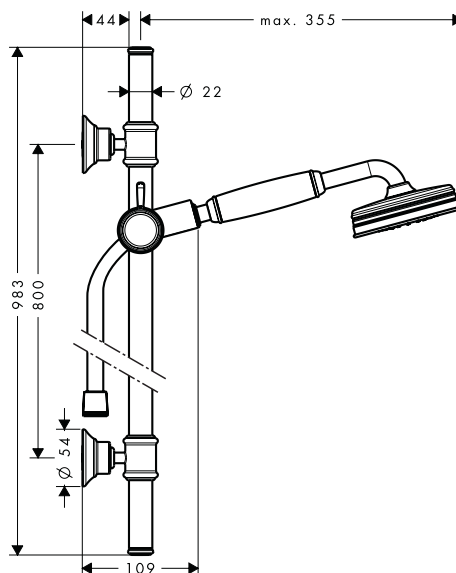
Shower set 0.90 m with hand shower 100 1jet

Features

- / consists of: hand shower, shower bar, shower hose, slider
- / shower head size: 100 mm
- / spray type: RainAir
- / QuickClean: Limescale deposits can simply be rubbed off with your finger

- / support for shower hose with conical nuts
- / AXOR Montreux wall bar 0.90 m
- / maximum flow rate at 3 bar: 16 l/min
- / minimum flow pressure: 1 bar
- / operating pressure: min. 1 bar/max. 6 bar
- / wall supports of metal

- / profile pipe: round
- / shower bar diameter: 25 mm
- / drilling distance: 915 mm



Technologies



Spray types



Finish	Code no.
Chrome	27982000
Brushed Black Chrome	27982340
Brushed Nickel	27982820
AXOR FinishPlus*	27982XXX

Consisting of:



AXOR Montreux Hand shower 100 1jet

Included in Code no.
27982XXX 16320XXX



Metal shower hose 1.60 m

27982XXX 28116XXX

For more information about this product, please see the next page.

Shower set 0.90 m with hand shower 100 1jet

Optional parts:



AXOR Montreux Corner basket 160/83

Finish	Code no.
Chrome	42066000
Brushed Black Chrome	42066340
Brushed Nickel	42066820
AXOR FinishPlus*	42066XXX

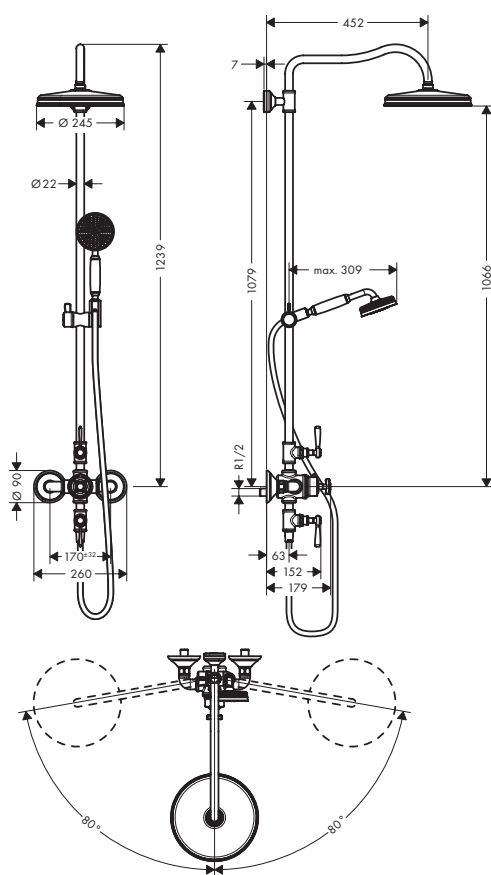
Showerpipe with thermostat and overhead shower 240 1jet

Features

/ consists of: overhead shower, hand shower, shower thermostat, shower hose, slider, shower bar
 / shower head size overhead shower: 240 mm
 / spray type overhead shower: RainAir
 / flow rate RainAir spray at 3 bar: 15 l/min
 / spray type hand shower: RainAir
 / flow rate of hand shower at 3 bar: 13,5 l/min

/ maximum flow rate for Showerpipe at 3 bar: 15 l/min
 / minimum flow pressure: 1 bar
 / max. operating pressure: 10 bar
 / height-adjustable slider
 / shower arm length overhead shower: 450 mm
 / swivel shower arm
 / thermostat AXOR Montreux
 / SafetyStop at 40 °C

/ adjustable hot water limitation
 / outlets controlled via turning handle
 / mounting type: exposed installation
 / connection dimension: DN15
 / connection thread: G 1/2
 / centre distance: 170 ± 32 mm
 / intrinsically safe against backflow
 / shower bar diameter: 22 mm
 / 2 functions



Technologies



Spray types



Certificates/declarations



Finish	Code no.
Chrome	16572000
Brushed Black Chrome	16572340
Brushed Nickel	16572820
AXOR FinishPlus*	16572XXX

Consisting of:



AXOR Montreux Overhead shower 240 1jet Classic

Included in	Code no.
16572XXX	28474XXX



AXOR Montreux Hand shower 100 1jet

16572XXX	16320XXX
----------	----------



Metal shower hose 1.60 m

16572XXX	28116XXX
----------	----------

Shower controls

**AXOR ShowerSelect ID**

Thermostat for concealed installation round
for 2 functions

#36750XXX

page 553

Further complementary products

**AXOR Montreux**

Bath towel rail 600 mm

#42060XXX

page 628

**AXOR Suite Basins & Bathtub**

Wash bowl 400 without tap hole and overflow

#42001XXX

page 656










**AXOR Drain**

Finish set shower drain 700

#42520XXX

page 688

Programs

	AXOR ShowerComposition	438
	AXOR Showers	448
	AXOR Shower systems	518
	AXOR Shower controls	540
	AXOR Accessories	588
	AXOR Electronic faucets	634
	AXOR Wash basins and bathtubs	644
	AXOR Kitchen faucets	662
	AXOR Drain, wastes and overflows	684
	AXOR Basic sets	700





Overhead showers

Shower panel

Shoulder shower

Thermostats

AXOR SHOWERCOMPOSITION



With the new AXOR Shower-Composition shower program, we have composed three to four objects in one.

AXOR ShowerComposition

Reflecting uniqueness—making an architectural statement

A shower is a very intimate space, and it must be flexible and adaptable to an individual's needs. Designed by world-renowned creator Philippe Starck, AXOR ShowerComposition introduces a striking new universal design language, modern and timeless, to the shower area.

Design: Philippe Starck

Characteristic design feature:

Reduced, rectilinear design with flat, elegant surfaces and ultra-slim profiles.

The designer's idea:

The AXOR ShowerComposition program combines three to four objects in one.

Special program highlights:

- / The all-in-one shower panel integrates an overhead shower, a body shower, a thermostatic module, and a hand shower
- / Individual shower modules can be composed and arranged for a truly personalized shower experience
- / PowderRain cocoons the body in ultra-fine droplets
- / The AXOR textile shower hose brings more coziness and comfort to the bathroom

Innovation meets design

The program features sleek, flat surfaces and ultra-slim profiles in an architectonic composition that presents novel possibilities for individual expression. Whether as an all-in-one shower panel or a personalized arrangement of floating modules, AXOR ShowerComposition offers exceptional performance, including immersive PowderRain spray mode overhead and PowderRain shoulder showers with angle adjustment. AXOR ShowerComposition provides the maximum of services by using the minimum of matter.





AXOR ShowerComposition features a reduced, rectilinear design, the diminutive depth of the showerhead and vertical panels (which extend just 10mm from the wall) counterbalanced by their generous width. Versatile and easy to install, the AXOR ShowerComposition program is available in a variety of configurations and in the full range of exclusive AXOR FinishPlus surfaces, including Matt Black.

Overhead shower module 110/220 1jet

Features

/ shower head size: 110 x 220 mm

/ spray type: PowderRain

/ flow rate PowderRain spray at 3 bar: 11,2 l/min

/ function from: 8,5 l/min

/ maximum flow rate at 3 bar: 11,2 l/min

/ minimum flow pressure: 1,7 bar

/ projection: 425 mm

/ material spray disc: metal

/ shower arm length: 324 mm

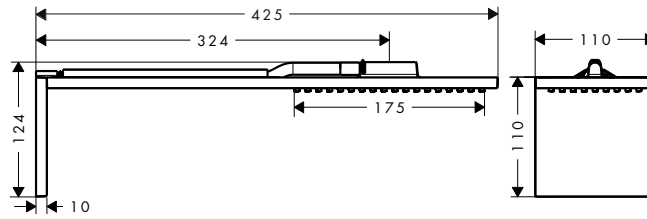
/ installation: wall

/ mounting type: concealed

/ connection dimension: DN 15

/ connection type: basic set

/ suitable for continuous flow water heaters



Technologies



Spray types



Finish	Code no.
Chrome	12592000
Matt Black	12592670
AXOR FinishPlus*	12592XXX

Required parts:



AXOR ShowerSolutions Basic set for overhead shower with shower arm

Code no.

35361180

Optional parts:



AXOR ShowerComposition Thermostatic module 470/110 for concealed installation for 2 functions

Finish	Code no.
Chrome	12571000
Matt Black	12571670
AXOR FinishPlus*	12571XXX

Shower modules 2jet, 1jet with shoulder shower

Features of all variants

/ consists of: overhead shower, shoulder shower

/ QuickClean: Limescale deposits can simply be rubbed off with your finger

/ material spray disc overhead shower: metal

/ spraytype shoulder shower: PowderRain

/ flow rate of shoulder shower at 3 bar: 6,3 l/min

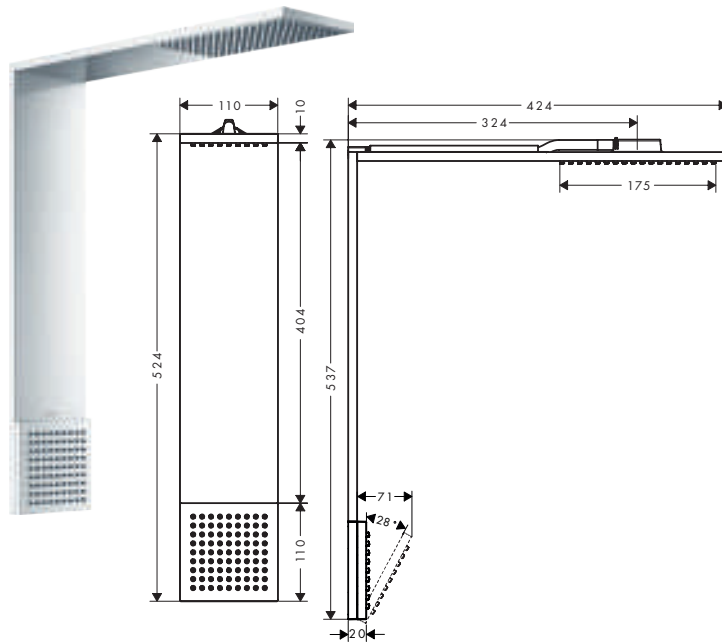
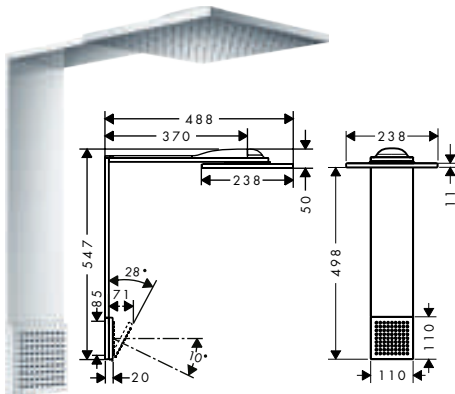
/ max. operating pressure: 6 bar

/ simultaneous use of head and shoulder shower possible

/ connection type: basic set

250/250

110/220



Technologies



Spray types




Shower modules 2jet, 1jet with shoulder shower

Overview variants

Shower head size	Number of sprays	Spray types overhead shower	Spray types shoulder shower	Max. flow rate at 3 bar (l/min)	Min. flow pressure (bar)	Length shower arm (mm)	Finish	Code no.
250/250	2	PowderRain, Intense PowderRain	PowderRain	21.6	1.8	370	Chrome	12594000
							Matt Black	12594670
							AXOR FinishPlus*	12594XXX
110/220	1	PowderRain	PowderRain	17	2	324	Chrome	12593000
							Matt Black	12593670
							AXOR FinishPlus*	12593XXX

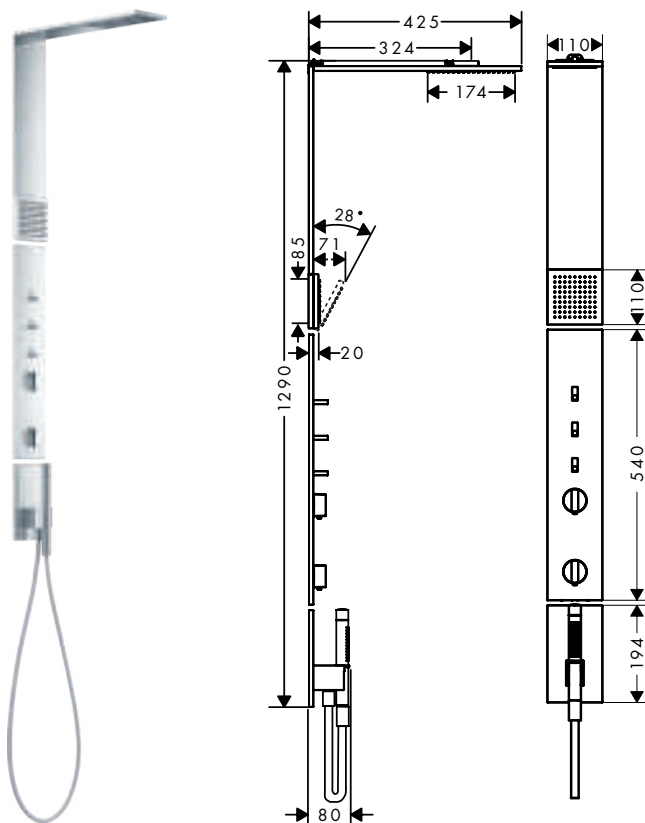
Required parts:

	Code no.
 AXOR ShowerSolutions Basic set for overhead shower with shower arm	35361180

Shower panel with thermostat, overhead shower 110/220 1jet and shoulder shower

Features

- / consists of: overhead shower, shoulder shower, baton hand shower, shower thermostat, textile shower hose
- / shower head size: 110 x 220 mm
- / spray type overhead shower: PowderRain
- / flow rate PowderRain spray at 3 bar: 11,6 l/min
- / spray type body shower: PowderRain
- / flow rate of shoulder shower at 3 bar: 6,4 l/min
- / spray type hand shower: Rain, MonoRain
- / flow rate of hand shower at 3 bar: 12,3 l/min
- / maximum flow rate at 3 bar: 21,6 l/min
- / shower arm length: 324 mm
- / minimum flow pressure: 1,5 bar
- / scald protection at 40°
- / adjustable hot water limitation
- / isolated water conduction
- / mounting type: concealed
- / max. operating pressure: 10 bar
- / projection: 425 mm
- / use of outlets: simultaneous use of several outlets
- / connection type: basic set
- / Eco-Function: depending on volume flow and installation situation approx. 50% flow rate reduction and integrated shut off function



Technologies





Spray types



Finish	Code no.
Chrome	12595000
Matt Black	12595670
AXOR FinishPlus*	12595XXX

Consisting of:

	Included in	Code no.
 AXOR ShowerComposition Shoulder shower 110/110 1jet	12595XXX	12596XXX
 AXOR ShowerSolutions Textile shower hose 1.25 m with cylindrical nuts	12595XXX	28228XXX

For more information about this product, please see the next page.

*AXOR FinishPlus: For further AXOR FinishPlus surfaces please see the AXOR FinishPlus overview on page 33.

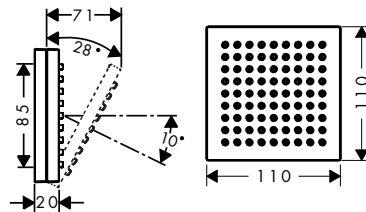
Shower panel with thermostat, overhead shower 110/220 1jet and shoulder shower

Required parts:		Code no.
	AXOR ShowerComposition Basic set for shower panel	12676180

Shoulder shower 110/110 1jet

Features

- / shower head size: 110 x 110 mm
- / spray type: PowderRain
- / angle of shower adjustable (2 positions)
- / maximum flow rate at 3 bar: 6,8 l/min
- / flow rate PowderRain spray at 3 bar: 6,8 l/min
- / minimum flow pressure: 1,2 bar
- / operating pressure: min. 1 bar/max. 6 bar
- / suitable for continous flow water heaters
- / connection dimension: DN15
- / material: metal
- / connection type: basic set
- / EU taxonomy: max. 8 l/min - Do No Significant Harm (DNSH)



Sustainability







Technologies



Spray types



Finish	Code no.
 Chrome	12596000
 Matt Black	12596670
 AXOR FinishPlus*	12596XXX

Required parts:		Code no.
	AXOR ShowerSolutions Basic set for overhead shower with shower arm	35361180

Thermostatic modules for concealed installation

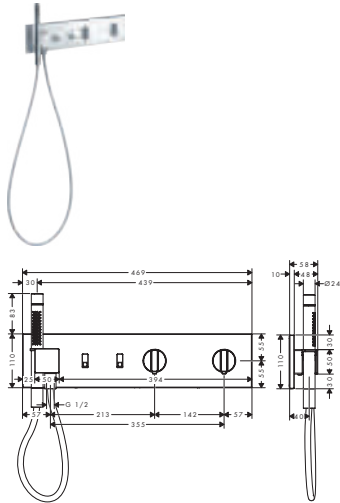
Features of all variants

/ consists of: thermostatic module, shower holder, baton hand shower, textile shower hose
 / simultaneous use of several outlets
 / sliding movement of handle for switching water on and off, temperature and water flow control

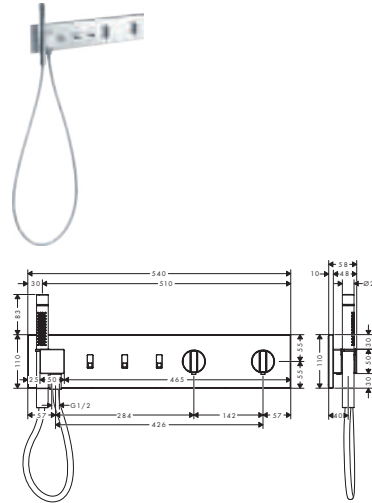
/ depending on volume flow and installation situation approx. 50% flow rate reduction and integrated shut off function
 / thermostat cartridge, Start/stop valve to operate the functions
 / spray type hand shower: Rain, MonoRain
 / flow rate per outlet: 26 l/min

/ min. operating pressure: 1 bar
 / max. operating pressure: 10 bar
 / Safety stop at 40 °C
 / temperature limitation adjustable
 / non-return valve
 / connection type: basic set

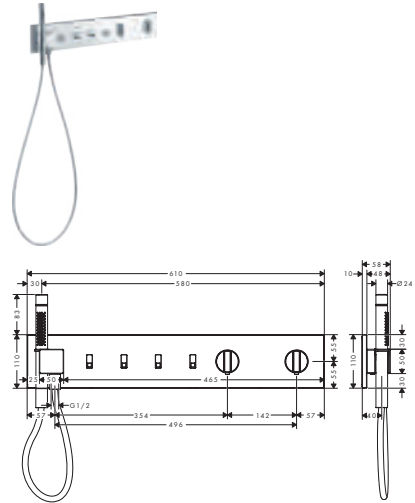
2 functions



3 functions



4 functions



Sustainability



Technologies



Spray types



Overview variants

Product dimensions (mm)	Number of functions	Flow rate per user	Flow rate by simultaneous use of all outlets	flow rate of hand shower at 3 bar (l/min)	Finish	Code no.
470/110	2 functions	26	32.7	11.4	<ul style="list-style-type: none"> Chrome 12571000 Matt Black 12571670 AXOR FinishPlus* 12571XXX 	
540/110	3 functions	26	32.7	11.4	<ul style="list-style-type: none"> Chrome 12572000 Matt Black 12572670 AXOR FinishPlus* 12572XXX 	
610/110	4 functions	26	34	13.5	<ul style="list-style-type: none"> Chrome 12573000 Matt Black 12573670 AXOR FinishPlus* 12573XXX 	

Consisting of:



AXOR ShowerSolutions Textile shower hose 1.25 m with cylindrical nuts

Included in

Code no.

12571XXX 28228XXX
 12572XXX
 12573XXX

Required parts:



Basic set for thermostatic module Select for 2 functions

For

Code no.

12571XXX 18310180



Basic set for thermostatic module Select for 3 functions

12572XXX

18311180



Basic set for thermostatic module Select for 4 functions

12573XXX

18312180

*AXOR FinishPlus: For further AXOR FinishPlus surfaces please see the AXOR FinishPlus overview on page 33.





Overhead showers

Wall plates

Body Shower / Shower module

Hand showers

Shower sets

Shower holders

Wall outlets

Porter

Shower hoses



AXOR SHOWERS





AXOR shower products represent design, innovation and water experiences at the highest level.

AXOR Showers

Excellence in the shower

Three features distinguish the various AXOR shower products: All are luxurious design objects, shape the space definitively and provide fascinating experiences of water. AXOR Showers impart a sense of appreciation for water and for the body.

Design: Philippe Starck, PHOENIX, Nendo, Front, Barber Osgerby, Antonio Citterio

Characteristic design feature:

Avant-garde design objects with universal appeal—for combinations across different collections.

The designer's idea:

Luxury in the shower: AXOR Showers offer fascinating design, perfect function and a one-of-a-kind water experience. The user is the focus of the luxurious physical experience provided by an AXOR Shower.

Special program highlights:

- / AXOR ShowerHeaven 1200/300 4jet:
Large dimensions and the innovative PowderRain spray mode impart a spa feel
- / AXOR LampShower designed by Nendo:
A source of light and water
- / AXOR Conscious Showers: sustainable water use while setting highest aesthetic standards
- / Wide variety of spray modes for various applications:
From invigorating to massaging to softly enveloping

AXOR Spray modes



INTENSE POWDERRAIN

A powerful, concentrated shower spray invigorates the body and mind.



POWDERRAIN

Gentle droplets wrap-around the body like a cocoon of water.



RAINAIR

Air-enriched water. For soft shower droplets in a full water jet.



RAIN

Lush, powerful spray with an invigorating effect. Perfect for rinsing hair.



RAINSTREAM

Voluminous beads of water. Precisely compacted into individual, parallel strands.



RAIN XL

A large-scale shower experience—surrounding the entire body.



RAIN/POWDERRAIN

Combination of powerful Rain and gently enveloping PowderRain sprays.



RAINFLOW

Powerful gush spray. Wets the body over a large area, like a waterfall.



MONORAIN

Intense, bundled spray. Pointed refreshment and relaxation.



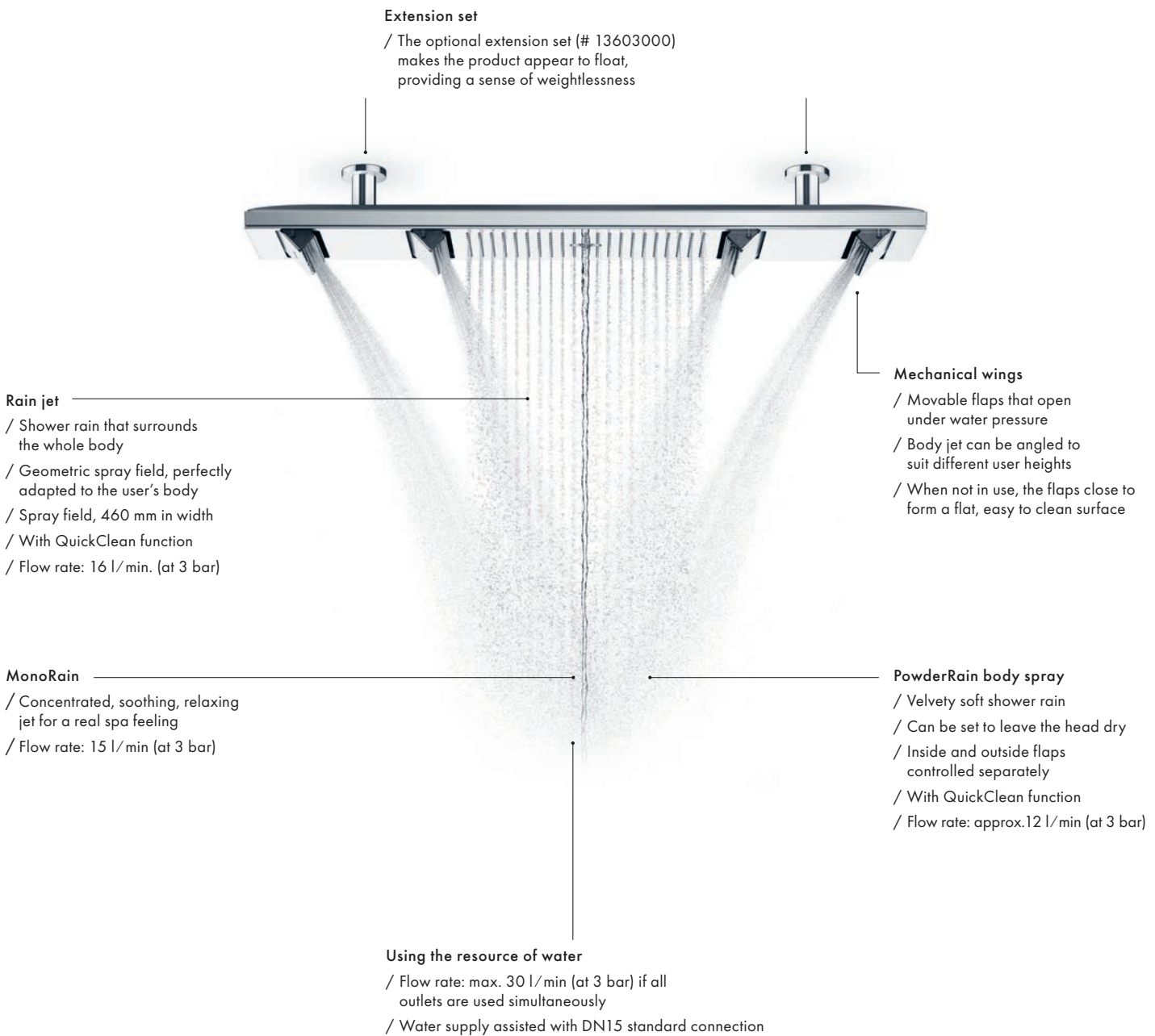
WHIRLAIR

Concentrated water jet. Especially suited for body massages.



Spray innovation in the shower

The AXOR ShowerHeaven 1200/300 4jet is a new archetype in the shower, offering a grand stage for water. Here, it is staged in an extraordinary way: with a revitalizing water jet, a soothing rain shower, all the way up to the gentle PowderRain—the AXOR innovation in water design. Here, countless velvety-soft water droplets envelop the body like a cocoon of water.



Monolithic design for the shower

The AXOR One overhead showers and hand showers feature monolithic forms and an innovative organization of Rain and PowderRain spray types, reflected in the distinctive graphic language of the showerhead's spray disc. Available in 1jet and 2jet versions, the overhead shower 280 offers both spray types.



Rain spray
/ 5 separate spray circles result in a body covering shower experience

PowderRain
/ 5 inner spray circles build a caressing PowderRain spray

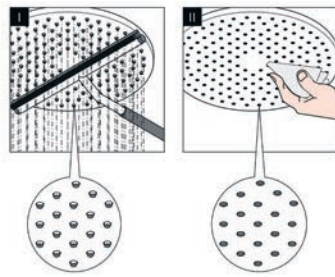


The AXOR One overhead shower 75 1jet is configured as a shoulder shower with a flow rate of max. 8,7 l/min. (at 3 bar)



Purist design combined with a fascinating water experience in the shower

Purist design—based on the circle and square—characterizes the circular version of the AXOR overhead showers with diameters of 250 mm and 300 mm and the square versions of 250/250 mm and 300/300 mm. All versions are made for universal use and are compatible with every luxury shower design. Clear geometric forms with flat surfaces are the style-defining element throughout—from the spray disc to the ceiling or wall cover plate. Made of high-quality metal—with a bright Chrome surface or finished with one of the many special AXOR FinishPlus surfaces—the showers are perfect design elements for the bathroom. Inside: a technical masterpiece. The specially developed spray nozzles only become visible when the water is on and disappear again when the shower is switched off. This technology is based on water pressure and functions without any additional mechanism.



The integrated ServiceCard contains the shower filters. No tools are required to remove the overhead shower to clean the filters because the ServiceCard allows simple, efficient access to them. This makes necessary occasional maintenance more efficient and saves operating costs.

The dynamic spray nozzles emphasize the purist design of the high-quality metal spray disc. Because the disc has a flat surface without silicone naps, water droplets and limescale deposits can be easily removed from the spray disc with a towel or squeegee scraper. Thanks to the QuickClean function, limescale deposits can be simply wiped from the silicone naps. The bayonet connection allows the shower head to be easily removed, e.g. to be placed in solution to remove calcium deposits.



PowderRain



Intense PowderRain



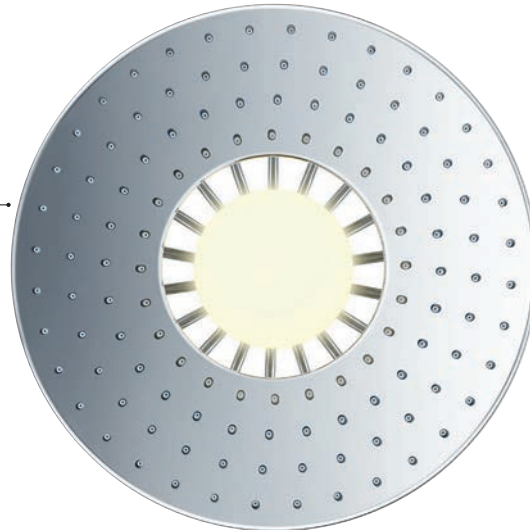
PowderRain + Intense PowderRain

Innovative PowderRain and Intense PowderRain spray modes: PowderRain provides a fine rain shower (flow rate: 16–20 l/min at 3 bar) that feels like an enveloping cocoon of water. Or Intense PowderRain—a powerful spray jet (flow rate: 15–18 l/min at 3 bar) and a true innovation among the 2jet versions.

A source of light and water

The AXOR LampShower designed by Nendo integrates lighting with the shower to form an exclusive design object. The integrated lighting blurs the lines that normally divide a space to bring a sense of coziness to the shower. A wide wreath of rain completely surrounds the body with water.

- Spray disc**
- / Made of pure metal
 - / Diameter: 275 mm
 - / Can be removed for easy cleaning



- Shower arm**
- / Length: 380 mm, can swivel horizontally in a range of 150°
 - / Perfect shower jet alignment



- Ball joint**
- / Can be adjusted by 5° for the ideal spray direction

- Lighting**
- / Energy-efficient LED illuminant (4 W)
 - / Power supply: Input voltage 100-240 V AC, 50-60 Hz/output voltage 12 V DC
 - / Incl. power supply unit 12 V, 12 W
 - / Color temperature warm white 2,700 K
 - / Power supply: 7 m connection cable with power supply unit 12 V
 - / Lighting controlled by a separate switch outside the shower

- Spray mode**
- / Gentle rain jet for an exceptional shower experience
 - / With QuickClean function
 - / Flow rate: 13 l/min (at 3 bar)



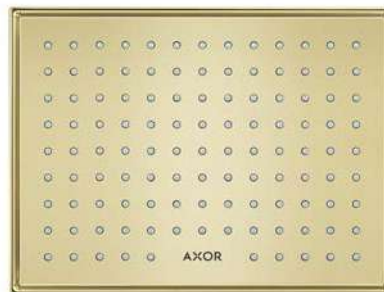
AXOR Conscious Showers. Water is precious.

Delightful showers are some of the most precious moments in our daily routines. To make a ritual like this as pleasant as possible, AXOR has developed Conscious Showers. All shower products in this range are characterized by low water consumption, starting from 6 l/min.

AXOR Conscious Showers meet the specific requirements for sustainable use of the precious element of water, while satisfying even the highest aesthetic demands. Whether in round or square design, they can be combined with AXOR bathroom collections in a variety of styles.



AXOR Overhead Shower 220 1jet



AXOR Overhead Shower 245/180 1jet

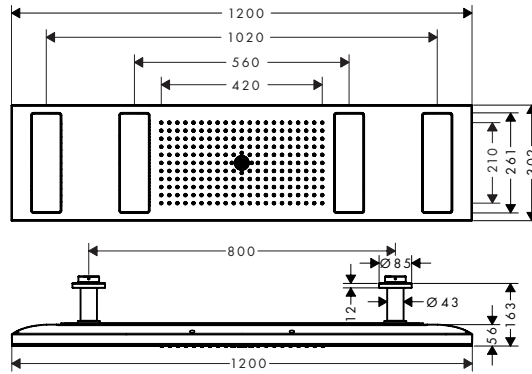


AXOR Overhead Shower 245 1jet

AXOR ShowerSolutions ShowerHeaven 1200/300 4jet with lighting

Features of all variants

- / shower head size: 1200 x 300 mm
- / spray type: PowderRain, Rain, MonoRain
- / flow rate PowderRain spray outer at 3 bar: 12 l/min
- / flow rate PowderRain spray inner at 3 bar: 12 l/min
- / flow rate Rain spray at 3 bar: 16 l/min
- / flow rate MonoRain spray at 3 bar: 15 l/min
- / maximum flow rate at 3 bar: 30 l/min
- / minimum flow pressure: 3 bar
- / material spray disc: metal
- / overhead shower removable for cleaning
- / extendable flaps can be opened manually
- / metal ceiling connector
- / ceiling connection length: 100 mm
- / spray types can be activated individually or in combination
- / installation: ceiling mounting, extendable claps can be pre-set to the user size
- / connection dimension: DN 15
- / connection type: basic set
- / with integrated lighting
- / illuminant: LED
- / power supply: 24 V
- / input voltage: 100 - 240 V AC / 50 / 60 Hz
- / output voltage: 24 V DC
- / Light color: neutral white
- / not suitable for continuous flow water heaters



Technologies





Spray types



Overview variants

Shower head size	Number of sprays	Spray types	Max. flow rate at 3 bar (l/min)	Min. flow pressure (bar)	Colour temperature	Transformer power supply	Fullfilling EU Eco design guideline	Finish	Code no.
1200/300	4	PowderRain, Rain, MonoRain	30	3	3500 K	24 V, 60 W	-	Chrome	10628000
								AXOR FinishPlus*	10628XXX
1200/300	4	PowderRain, Rain, MonoRain	30	3	5000 K	24 V, 60 W	-	Chrome	10629000
								AXOR FinishPlus*	10629XXX
1200/300	4	PowderRain, Rain, MonoRain	30	3	3500 K	24 V, 30 W	■	Chrome	12427000
								AXOR FinishPlus*	12427XXX
1200/300	4	PowderRain, Rain, MonoRain	30	3	5000 K	24 V, 30 W	■	Chrome	12423000
								AXOR FinishPlus*	12423XXX

Required parts:		For	Code no.
	AXOR ShowerSolutions Basic set for ShowerHeaven 1200/300 4jet	10628XXX 10629XXX	10922180
	AXOR ShowerSolutions Basic set for ShowerHeaven 1200/300 4jet with light module	12427XXX 12423XXX	12922180

Optional parts:		Finish	Code no.
	AXOR ShowerSolutions Extension set 230 mm for ceiling connector ShowerHeaven 1200/300 4jet	Chrome	13603000
		AXOR FinishPlus*	13603XXX
	AXOR ShowerSolutions Thermostatic module Select 670/90 for concealed installation for 5 functions	Chrome	18358000
		AXOR FinishPlus*	18358XXX

AXOR ShowerSolutions ShowerHeaven 3jet with lighting

Overview variants

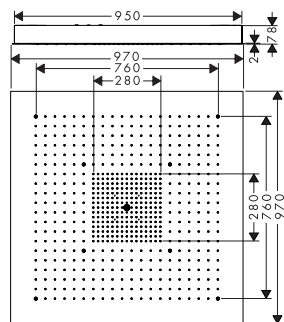
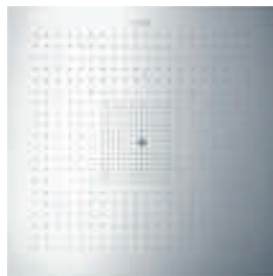
Shower head size	Number of sprays	Spray types	Max. flow rate at 3 bar (l/min)	Min. flow pressure (bar)	Finish	Code no.
720/720	3	RainAir, Rain, MonoRain	36.8	2.5	● Stainless Steel Optic	10627800

AXOR ShowerSolutions ShowerHeaven 3jet without lighting

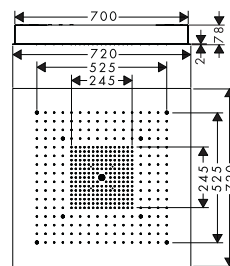
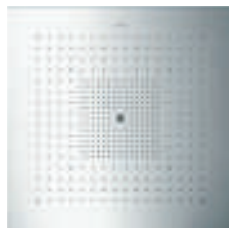
Features of all variants

- / spray type: RainAir, Rain, MonoRain
- / minimum flow pressure: 2,5 bar
- / spray zones: Bodyzone - outer overhead shower zone, Rainzone - inner overhead shower zone with AirPower function, MonoRain spray at Ø 17 mm
- / frame: brushed stainless steel
- / material spray disc: metal
- / spray disc surface: polished stainless steel
- / the 3 spray zones must be controlled via 3 valves or a diverter valve with 3 outlets, spray types can be activated individually or in combination
- / installation: ceiling mounting
- / connection dimension: DN20
- / not suitable for continuous flow water heaters

970/970



720/720



Technologies



Spray types



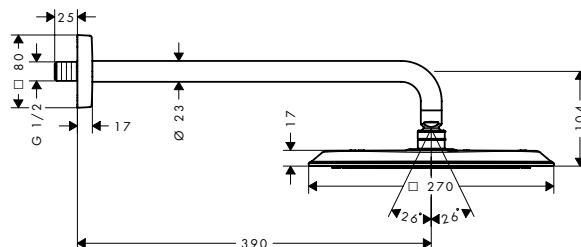
Overview variants

Shower head size	Number of sprays	Spray types	Max. flow rate at 3 bar (l/min)	Min. flow pressure (bar)	Finish	Code no.
970/970	3	RainAir, Rain, MonoRain	42	2.5	● Stainless Steel Optic	10621800
720/720	3	RainAir, Rain, MonoRain	43	2.5	● Stainless Steel Optic	10625800

AXOR Citterio C Overhead showers 1jet with shower arm

Features of all variants

- / consists of: overhead shower, shower arm
- / shower head size: 270 x 270 mm
- / spray type: PowderRain
- / material spray disc: metal
- / overhead shower removable for cleaning
- / shower arm length: 390 mm
- / installation: wall
- / connection thread: G 1/2
- / suitable for continuous flow water heaters



Sustainability



Technologies



Spray types




AXOR Citterio C Overhead showers 1jet with shower arm

Overview variants

Shower head size	Number of sprays	Spray types	Function from (l/min)	Max. flow rate at 3 bar (l/min)	Min. flow pressure (bar)	Finish	Code no.
270/270	1	PowderRain	6	6.5	1.5	Chrome	28791000
						Brushed Bronze	28791140
						Brushed Black Chrome	28791340
						Matt Black	28791670
						Brushed Nickel	28791820
						Polished Gold Optic	28791990
						AXOR FinishPlus*	28791XXX
						AXOR FinishPlus*	28791XXX
270/270	1	PowderRain	7.5	11	1	Chrome	28790000
						Brushed Bronze	28790140
						Brushed Black Chrome	28790340
						Matt Black	28790670
						Brushed Nickel	28790820
						Polished Gold Optic	28790990
						AXOR FinishPlus*	28790XXX
						AXOR FinishPlus*	28790XXX

Optional parts:

	Finish	Code no.
 AXOR Citterio C Wall escutcheon 120/120 softsquare	Chrome	28801000
	Matt Black	28801670
	AXOR FinishPlus*	28801XXX

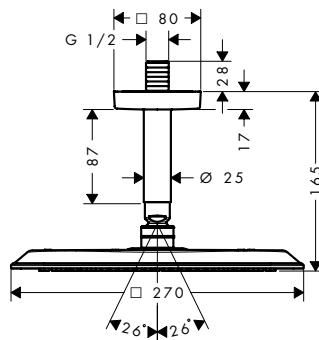
AXOR Citterio C Overhead showers 1jet with ceiling connector

Features of all variants

/ consists of: overhead shower, ceiling connector
 / shower head size: 270 x 270 mm
 / spray type: PowderRain

/ material spray disc: metal
 / overhead shower removable for cleaning
 / ceiling connection length: 100 mm

/ installation: ceiling mounting
 / connection thread: G 1/2
 / suitable for continuous flow water heaters



Sustainability



Technologies



Spray types



Overview variants

Shower head size	Number of sprays	Spray types	Function from (l/min)	Max. flow rate at 3 bar (l/min)	Min. flow pressure (bar)	Finish	Code no.
270/270	1	PowderRain	6	6.5	1.5	Chrome	28793000
						Brushed Bronze	28793140
						Brushed Black Chrome	28793340
						Matt Black	28793670
						Brushed Nickel	28793820
						Polished Gold Optic	28793990
						AXOR FinishPlus*	28793XXX
						AXOR FinishPlus*	28793XXX

For more information about this product, please see the next page.

AXOR Citterio C Overhead showers 1 jet with ceiling connector

Overview variants

Shower head size	Number of sprays	Spray types	Function from (l/min)	Max. flow rate at 3 bar (l/min)	Min. flow pressure (bar)	Finish	Code no.
270/270	1	PowderRain	7.5	11	1	Chrome Brushed Bronze Brushed Black Chrome Matt Black Brushed Nickel Polished Gold Optic AXOR FinishPlus*	28792000 28792140 28792340 28792670 28792820 28792990 28792XXX

Optional parts:



AXOR Citterio C Ceiling escutcheon 120/120 softsquare

Finish	Code no.
Chrome	28802000
Brushed Bronze	28802140
Brushed Black Chrome	28802340
Matt Black	28802670
Brushed Nickel	28802820
Polished Gold Optic	28802990
AXOR FinishPlus*	28802XXX

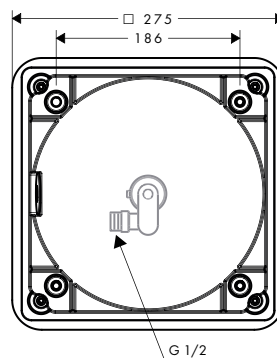
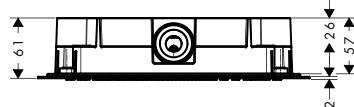
AXOR Citterio C Overhead showers 1 jet ceiling

Features of all variants

/ shower head size: 270 x 270 mm
 / spray type: Rain
 / material spray disc: metal

/ spray disc removable for cleaning
 / installation: ceiling mounting
 / connection type: basic set

/ suitable for continuous flow water heaters



Sustainability



Technologies



Spray types










Overview variants

Shower head size	Number of sprays	Spray types	Function from (l/min)	Max. flow rate at 3 bar (l/min)	Min. flow pressure (bar)	Finish	Code no.
270/270	1	Rain	4.3	6.8	1.2	Chrome Brushed Bronze Brushed Black Chrome Matt Black Brushed Nickel Polished Gold Optic AXOR FinishPlus*	28795000 28795140 28795340 28795670 28795820 28795990 28795XXX

AXOR Citterio C Overhead showers 1jet ceiling

Overview variants

Shower head size	Number of sprays	Spray types	Function from (l/min)	Max. flow rate at 3 bar (l/min)	Min. flow pressure (bar)	Finish	Code no.
270/270	1	Rain	4.1	11.3	1	 Chrome  Brushed Bronze  Brushed Black Chrome  Matt Black  Brushed Nickel  Polished Gold Optic  AXOR FinishPlus*	28794000 28794140 28794340 28794670 28794820 28794990 28794XXX

 Required parts:


AXOR Citterio C Basic set for overhead shower ceiling

Code no.

26039180

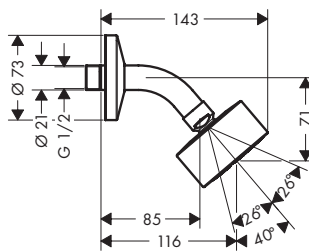
AXOR One Overhead shower 75 1jet EcoSmart with shower arm

Features

/ consists of: overhead shower, shower arm
 / shower head size: 73 mm
 / spray type: PowderRain
 / flow rate PowderRain spray at 3 bar: 8,7 l/min
 / function from: 6,3 l/min
 / maximum flow rate at 3 bar: 8,7 l/min

/ minimum flow pressure: 1 bar
 / projection: 116 mm
 / overhead shower angle adjustable
 / material spray disc: metal
 / overhead shower removable for cleaning
 / shower arm length: 85 mm

/ installation: wall
 / connection thread: G 1/2
 / connection dimension: DN15
 / suitable for continuous flow water heaters



Sustainability











Technologies



Spray types



Finish	Code no.
 Chrome	48490000
 Brushed Bronze	48490140
 Brushed Black Chrome	48490340
 Matt Black	48490670
 Matt White	48490700
 Brushed Brass	48490950
 Polished Gold Optic	48490990
 AXOR FinishPlus*	48490XXX

AXOR One Overhead shower 2jet, 1jet with shower arm

Features of all variants

/ consists of: overhead shower, shower arm
 / shower head size: 280 mm
 / material spray disc: metal

/ overhead shower removable for cleaning
 / installation: wall
 / connection dimension: DN15

/ suitable for continuous flow water heaters

2 spray types



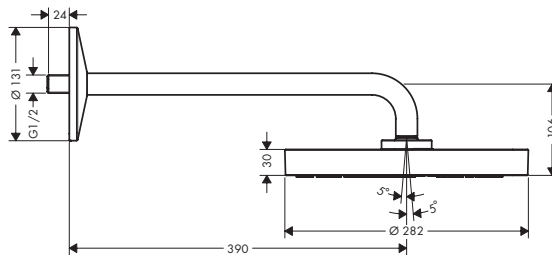
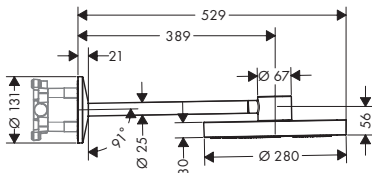
1 spray type



Technologies



Spray types



Overview variants

Shower head size	Number of sprays	Spray types	Max. flow rate at 3 bar (l/min)	Min. flow pressure (bar)	Length shower arm (mm)	Finish	Code no.
280	2	PowderRain, Rain	12	1.5	389	Chrome Brushed Bronze Brushed Black Chrome Matt Black Matt White Brushed Brass Polished Gold Optic AXOR FinishPlus*	48492000 48492140 48492340 48492670 48492700 48492950 48492990 48492XXX
280	1	PowderRain and Rain in combination	12.3	1.2	390	Chrome Brushed Bronze Brushed Black Chrome Matt Black Matt White Brushed Brass Polished Gold Optic AXOR FinishPlus*	48491000 48491140 48491340 48491670 48491700 48491950 48491990 48491XXX

Required parts:	For	Code no.
AXOR ShowerSolutions Basic set for overhead shower with shower arm	48492XXX	35361180

AXOR One Overhead showers 2jet, 1jet with ceiling connector

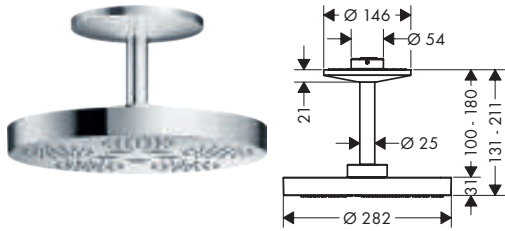
Features of all variants

/ consists of: overhead shower, ceiling connector
 / shower head size: 280 mm
 / material spray disc: metal

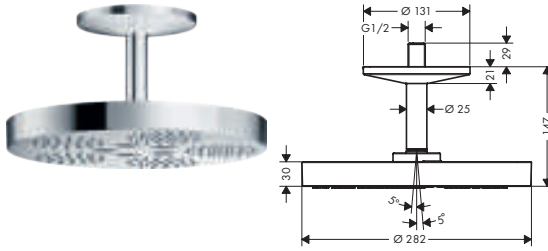
/ overhead shower removable for cleaning
 / metal ceiling connector
 / installation: ceiling mounting

/ connection dimension: DN15
 / suitable for continuous flow water heaters

2 spray types



1 spray type



Technologies





Spray types



Overview variants

Shower head size	Number of sprays	Spray types	Max. flow rate at 3 bar (l/min)	Min. flow pressure (bar)	Finish	Code no.					
280	2	PowderRain, Rain	18	1.5	Chrome	48494000					
					Brushed Bronze	48494140					
					Brushed Black Chrome	48494340					
					Matt Black	48494670					
					Matt White	48494700					
					Brushed Brass	48494950					
					Polished Gold Optic	48494990					
					AXOR FinishPlus*	48494XXX					
					280	1	PowderRain and Rain in combination	12.2	1.4	Chrome	48493000
										Brushed Bronze	48493140
Brushed Black Chrome	48493340										
Matt Black	48493670										
Matt White	48493700										
Brushed Brass	48493950										
Polished Gold Optic	48493990										
AXOR FinishPlus*	48493XXX										

Required parts:		For	Code no.
	AXOR ShowerSolutions Basic set for overhead shower with ceiling connector	48494XXX	26434180

Optional parts:		For	Finish	Code no.
	AXOR One Ceiling connector 300 mm for overhead shower 280 2jet	48494XXX	Chrome	48496000
			Brushed Bronze	48496140
			Brushed Black Chrome	48496340
			Matt Black	48496670
			Matt White	48496700
			Brushed Brass	48496950
			Polished Gold Optic	48496990
			AXOR FinishPlus*	48496XXX

For more information about this product, please see the next page.

AXOR One Overhead showers 2jet, 1jet with ceiling connector

Optional parts:



AXOR One Ceiling connector 300 mm for overhead shower 280 1jet

For	Finish	Code no.
48493XXX	Chrome	48495000
	Brushed Bronze	48495140
	Brushed Black Chrome	48495340
	Matt Black	48495670
	Matt White	48495700
	Brushed Brass	48495950
	Polished Gold Optic	48495990
	AXOR FinishPlus*	48495XXX

AXOR ShowerSolutions Overhead shower 2jet, 1jet with shower arm

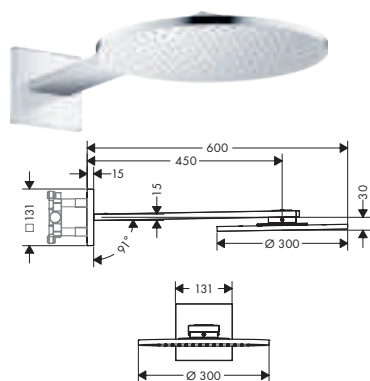
Features of all variants

/ consists of: overhead shower, shower arm
 / dynamic spray nozzles move out while using
 / material spray disc: metal

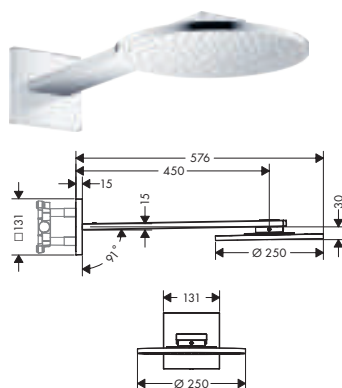
/ overhead shower removable for cleaning
 / ServiceCard with sieve can be removed without tools for cleaning purpose

/ shower arm length: 450 mm
 / installation: wall
 / connection dimension: DN 15

300



250



Technologies



Spray types



Overview variants

Shower head size	Number of sprays	Spray types	Max. flow rate at 3 bar (l/min)	Min. flow pressure (bar)	Connection	Finish	Code no.
300	2	PowderRain, Intense PowderRain	19	2	basic set	Chrome	35303000
						Brushed Bronze	35303140
						Brushed Black Chrome	35303340
						Matt Black	35303670
						Brushed Nickel	35303820
						Polished Gold Optic	35303990
						AXOR FinishPlus*	35303XXX
300	1	PowderRain	17.6	1.9	G 1/2	Chrome	35300000
						Brushed Bronze	35300140
						Brushed Black Chrome	35300340
						Matt Black	35300670
						Brushed Nickel	35300820
						Polished Gold Optic	35300990
						AXOR FinishPlus*	35300XXX
250	2	PowderRain, Intense PowderRain	19	2	basic set	Chrome	35296000
						AXOR FinishPlus*	35296XXX
250	1	PowderRain	18.1	1.5	G 1/2	Chrome	35284000
						AXOR FinishPlus*	35284XXX

Required parts:



AXOR ShowerSolutions Basic set for overhead shower with shower arm

For	Code no.
35303XXX 35296XXX	35361180

AXOR ShowerSolutions Overhead shower 2jet, 1jet with shower arm

Optional parts:



AXOR ShowerSolutions Escutcheon softsquare

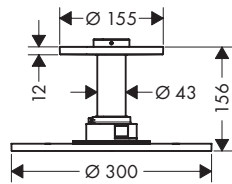
Finish	Code no.
Chrome	35214000
Matt Black	35214670
AXOR FinishPlus*	35214XXX

AXOR ShowerSolutions Overhead showers 2jet, 1jet with ceiling connector

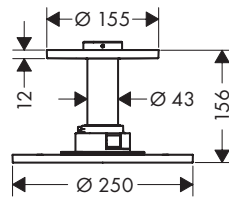
Features of all variants

- / consists of: overhead shower, ceiling connector
- / dynamic spray nozzles move out while using
- / material spray disc: metal
- / overhead shower removable for cleaning
- / ServiceCard with sieve can be removed without tools for cleaning purpose
- / metal ceiling connector
- / ceiling connection length: 100 mm
- / installation: ceiling mounting
- / connection dimension: DN15
- / connection type: basic set
- / suitable for continuous flow water heaters

300



250



Technologies



Spray types



Overview variants

Shower head size	Number of sprays	Spray types	Max. flow rate at 3 bar (l/min)	Min. flow pressure (bar)	Finish	Code no.
300	1	PowderRain	19	1.8	Chrome	35301000
					Brushed Bronze	35301140
					Brushed Black Chrome	35301340
					Matt Black	35301670
					Brushed Nickel	35301820
					Polished Gold Optic	35301990
					AXOR FinishPlus*	35301XXX
300	2	PowderRain, Intense PowderRain	18	2.4	Chrome	35304000
					Brushed Bronze	35304140
					Brushed Black Chrome	35304340
					Matt Black	35304670
					Brushed Nickel	35304820
					Polished Gold Optic	35304990
					AXOR FinishPlus*	35304XXX
250	1	PowderRain	19	1.8	Chrome	35286000
					AXOR FinishPlus*	35286XXX
250	2	PowderRain, Intense PowderRain	18	1.7	Chrome	35297000
					AXOR FinishPlus*	35297XXX

Required parts:



AXOR ShowerSolutions Basic set for overhead shower with ceiling connector

Code no.

26434180

Optional parts:



AXOR ShowerSolutions Extension 230 mm for ceiling connector overhead shower

Finish	Code no.
Chrome	35288000
AXOR FinishPlus*	35288XXX

* AXOR FinishPlus: For further AXOR FinishPlus surfaces please see the AXOR FinishPlus overview on page 33.

AXOR ShowerSolutions Overhead showers 2jet, 1jet ceiling

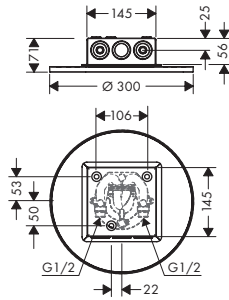
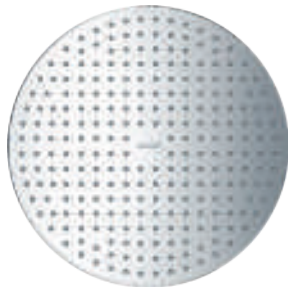
Features of all variants

/ dynamic spray nozzles move out while using
/ material spray disc: metal

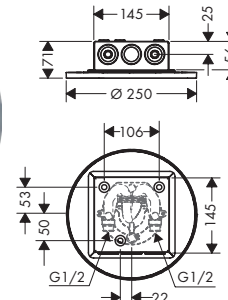
/ overhead shower removable for cleaning
/ installation: flush with the ceiling

/ connection dimension: DN15
/ suitable for continuous flow water heaters

300



250



Technologies



Spray types



Overview variants

Shower head size	Number of sprays	Spray types	Max. flow rate at 3 bar (l/min)	Min. flow pressure (bar)	Connection	Finish	Code no.
300	2	PowderRain, Intense Powder-Rain	17	1.5	basic set	Chrome	35305000
						Brushed Bronze	35305140
						Brushed Black Chrome	35305340
						Matt Black	35305670
						Brushed Nickel	35305820
						Polished Gold Optic	35305990
						AXOR FinishPlus*	35305XXX
						AXOR FinishPlus*	35305XXX
300	1	PowderRain	18.1	1.8	G 1/2	Chrome	35302000
						Brushed Bronze	35302140
						Brushed Black Chrome	35302340
						Matt Black	35302670
						Brushed Nickel	35302820
						Polished Gold Optic	35302990
						AXOR FinishPlus*	35302XXX
						AXOR FinishPlus*	35302XXX
250	2	PowderRain, Intense Powder-Rain	21	1.5	basic set	Chrome	35298000
						AXOR FinishPlus*	35298XXX
250	1	PowderRain	17.7	1.5	G 1/2	Chrome	35287000
						AXOR FinishPlus*	35287XXX

Required parts:



AXOR ShowerSolutions Basic set for overhead shower ceiling

Code no.

35363180