

**DISTRICT EIGHT**



10.46 N 106.42 E

VIỆT NAM



District Eight is a furniture brand established in 2010 amidst the bustling streets of Sài Gòn, Việt Nam. The name refers to one of the city's 24 districts, in the heart of which the first humble factory and office was set up. District Eight designs and crafts products that tell a unique story to Việt Nam with a confident take on contemporary living and an understanding of modern elegance.

MADE IN SÀI GÒN



**WE DESIGN AND CREATE QUALITY FURNITURE  
INSPIRED BY VIETNAMESE HERITAGE.**

Carefully crafted and delivered to high-quality standards, District Eight's defining signature comes from its innate passion and commitment to elevate workmanship, refining aesthetics, and reframing functionality. The connection to the rich cultures and heritage of the land inspires a continuous exploration of techniques and solutions that bring authentic ideas and premium materials to life.

From the initial concept to development, from the artisan's touch to the meticulous production, District Eight seeks to blend global insights with the tradition of dedicated craftsmanship in Việt Nam through every considered detail. Since 2010, our distinctive designs have propelled beyond domestic borders to the global stage – inspiring international recognition and becoming synonymous with Việt Nam's creative energy.

### **Crafted From Ideas**

The inspiration of District Eight often comes from pre-contemporary architecture, as it appears that until the middle of 20th century, furniture and objects were designed with a sense of purpose by architects themselves, rather than being mere disposable decoration.

### **Made, Manufactured, Crafted**

The ethos of District Eight design and production was established early on. Our products are made to be used reliably and to be durable through wear and tear, just like industrial tools or workwear would. This level of quality can only be achieved with the right balance of machinery and crafty hands.

### **Craft As Past, Present & Future**

Our spaces are conceived to convey subtle elements of lifestyle. By working with rich textures, tonal color schemes, and curated artworks, District Eight aims at offering a unique experience, about craft and livability.

As the creative industries and the local environment evolve, District Eight has also made strides into new creative expressions and crafts. The approach is developed especially for contemporary spaces, where private and public norms are converging.





# NOVELTIES 2025



BUOM  
P. 05

designed by  
Jean-Marie Massaud



BOW  
P. 13

designed by  
Monica Förster



ORA  
P. 19

designed by  
Ina Rinderknecht



NÔM  
P. 29



ODETTE / DESK  
P. 33



BAGUA  
P. 37



TONKIN/ CONSOLE -  
LOW & LONG  
P. 43



# BUOM

*Designed by  
Jean-Marie Massaud*

BUOM reinvents a familiar archetype with sophistication. This solitary Lounge chair combines the elegance of suspended comfort with the sensuality of a robust structure. Its leather seat is moulded after the silhouette of full-blown sails, known as *bướm*, in Vietnamese traditional boat, and through expert craftsmanship, appears as if it's only touching the slanted legs. The solid oak frame enhances its sturdy support, with cross stretchers forming a visual dynamic with the seat's undulating lines. BUOM is the timeless companion that embodies our demands for lightness and refinement.

**" I LOVE THE ELEGANCE OF LIGHT THINGS."**









TONKIN LOW CONSOLE  
*Smoked Oak*  
*Antique Brass*

JOSS SOFA SET  
*Echo Thunder*  
*Dark Seared Oak*

FAIFO COFFEE TABLE  
*Burned Fir*

BUOM LOUNGE  
*Amos Light Leather*  
*Ebonized Oak*

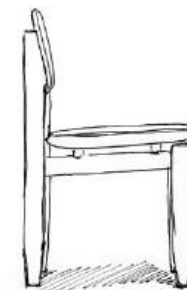


## BOW

*Designed by  
Monica Förster*

BOW intrigues and enchants with a seat that appears to float. Its curved, inviting lines create the feeling of an Asian roof tile when many chairs are put together. Highly crafted precision gives the design an air of lightness, with tapered legs and curvilinear stretchers composing its soft, elegant profile. The backrest and seat follow an embracing, upholstered contour that eases the body into relaxation.

Finely sculpted solid oak defines the chair's material warmth, and underlines its contemporary sophistication.







FAIFO ROUND DINING TABLE  
*Burned Fir*

BOW DINING CHAIR  
*Omari Ink Black Leather*  
*Ebonized Oak*

BOW DINING CHAIR  
*Echo Thunder*  
*Beige Oak*



## ORA

*Designed by  
Ina Rinderknecht*

Inspired by the soft, subtle hues and shapes of traditional Asian celadon ceramics, ORA exudes a quiet yet undeniable elegance and presence. The egg-shape marble top, paired with rich solid oak, creates a striking combination that radiates both warmth and refinement. Its modern, organic shape effortlessly complements both contemporary and classic interiors. The detachable Lazy Susan allows for easy sharing and serving, or can also be used for the table's centrepiece. The distinctive pedestal base, enveloped in oak, elevates ORA from mere furniture to a true work of art.





ORA DINING TABLE  
*Ebonized Oak*  
*Athena Grey Marble*

NÔM DINING CHAIR  
*Omari Ink Black Leather*  
*Ebonized Oak*

NÔM DINING ARMCHAIR  
*Omari Ink Black*  
*Ebonized Oak*





NÔM DINING ARMCHAIR  
*Fler Taupe*  
*Dark Seared Oak*

NÔM DINING CHAIR  
*Fler Taupe*  
*Beige Oak*

OJETTE DESK  
*Dark Seared Oak*



## NÔM



Nôm is inspired by the calligraphy brushstrokes in *chữ Nôm*, a Vietnamese script of vernacularized Chinese characters once widely used by the country's learned class prior to the 20th century. The chair's frame is sculpted from solid oak, with fluid yet firm lines drawn from the balance and rhythm of ink flow. Joints are hand-sanded to create the aesthetic effect of seamless transitions. Refined textile upholstery rounds off its well-balanced seat, whose sense of grounding is comfortably felt from every angle.



# ODETTE

DESK



Where pure tactility can be felt in all immersive details, the Odette desk adopts the distinctness of its namesake collection to a new size, perfect for a private study or compact workspace. Its frame is crafted from solid oak, featuring stretchers interlocked in a composition that references the enduring structure of wood beams and columns in traditional Eastern architecture. Drawers add to its relaxed utility, where ease of use and natural elegance come together through expert craftsmanship.





INUMBRA SHELVING SYSTEM  
*Ebonized Oak*  
*Antique Nickel*

BAGUA 2-SEATER SOFA  
*Sila Fog*  
*Dark Seared Oak*

BAGUA LOUNGE  
*Sila Fog*  
*Dark Seared Oak*

FAIFO COFFEE TABLE  
*Burned Fir*



## BAGUA



Our new sofa collection is inspired by the ancient diagram of *bagua*, in which the relationships of yin and yang are illustrated through symbols arranged in octagonal formations. An eight-sided oak base underpins the sofa's grounded structure. With full upholstery enfolds its enveloping contour, the seat bestirs plenitude of comfort. Perfect for intimate nooks or modest spaces, BAGUA casts a strong, graceful presence that blends well with contemporary decorations and lifestyles.





## FAIFO

### COFEEE TABLE

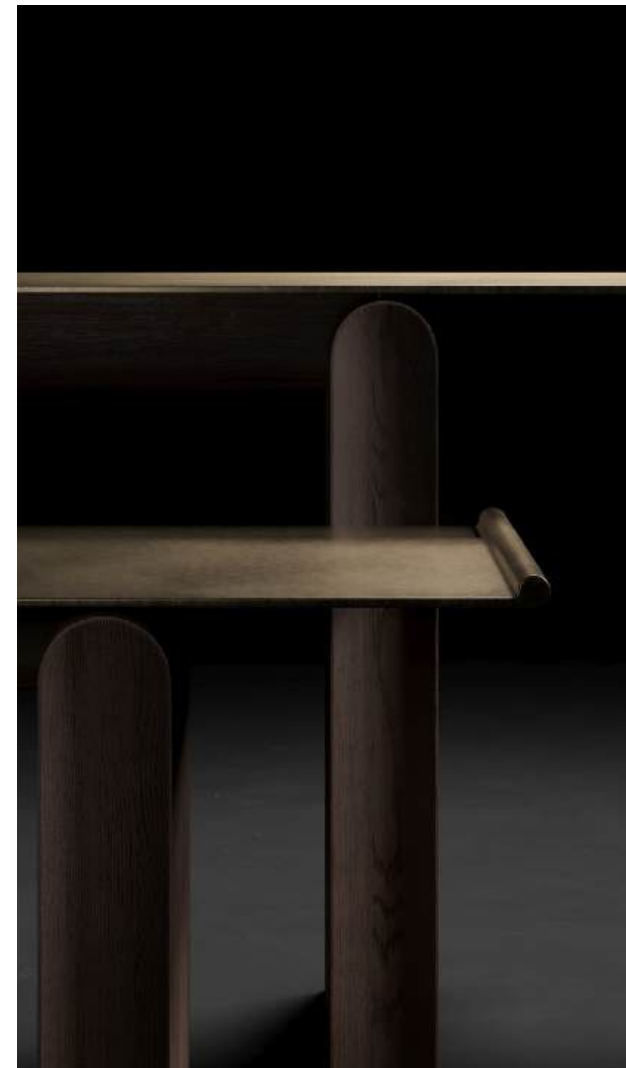


The new Faifo variant is understated yet characterful. Perfect for commodious interiors, its sizable top provides a pleasing canvas to arrange more of your everyday objects. The hand-finished wood frame features three wings of legs, intriguing to behold from any angle. Made from solid oak or fir, it fully embraces the warm and natural beauty of wood grains. Available in a variety of color finishes and size variants, the collection brings in inspired possibilities tailored to your taste and needs.



## TONKIN

### CONSOLE



Our Tonkin console now comes in two new variants. Proportioned to offer more versatility for interior stylings, they expand on the original design's silhouette which references traditional temple gates in East Asian cultures. The console's minimal contour artfully blends curves and straight lines, subtly pronouncing the beauty of well-honed materials. Refined joinery lends it an air of lightness, where the hand-polished steel top appears to gently rest on the sculpted, solid oak base.

DESIGNER  
COLLABORATIONS

JEAN-MARIE MASSAUD



District Eight's distinction as a forward-thinking and detail-focused maker of Vietnamese contemporary design has piqued the interest and imagination of some of the world's leading designers. Their collections amalgamate craft and culture into life-enhancing designs, whereby tactile values and emotional connection are as invested as visual originality. More than a shared passion for technical excellence, these collaborations express our deep engagement with the rich heritage of Asia and its reinterpretation through the inventive language of design.

*"Easy + Chic x Light + Robust x Trendy + Evergreen."*

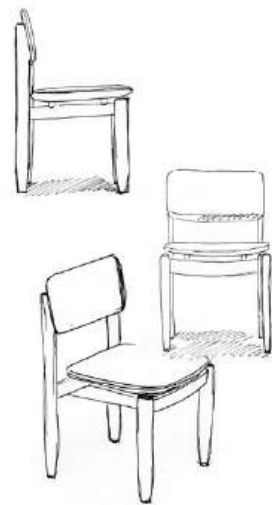
*"I love the elegance of light things."*



MONICA FÖRSTER



*"The idea with the chair has been to communicate the international and Asian angles mixed together."*



INA RINDERKNECHT



*"ORA is more than just a functional piece, it's an invitation to meaningful conversations. Its presence strikes the perfect balance – neither overly feminine nor too imposing. Combining luxury, functionality, and timeless design, this table is a true statement of traditional craftsmanship and style."*



TOAN NGUYEN



*"If Joss conceals details that attract the eye and the hand without ostentation, it is harmony and serenity that prevail."*

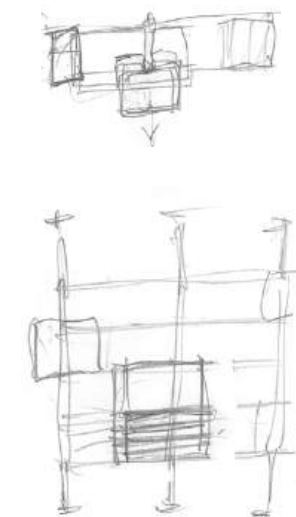
*"Stilt is the result of a quest for harmony in contrast."*



MICHELE DE LUCCHI



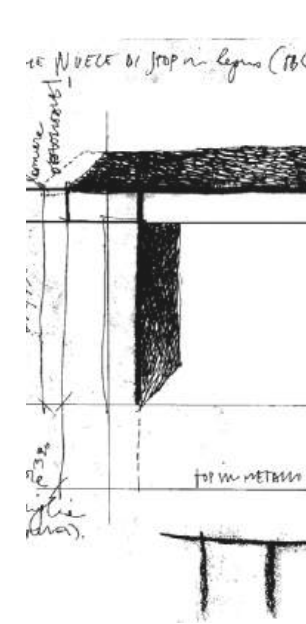
*"In District Eight, I recognize a design attitude that's very typically Italian towards high quality products – the result of a perpetual curiosity towards technical possibilities, a deeply rooted humanistic sensibility and a strong innovative undertone."*



STUDIOUTTE



*"The collection is an homage to a radical timeless elegance, suspended between Eastern influences and a minimalist approach. It aspires to silently enter the most intimate domestic spaces as if it had always been there."*



ADAM GOODRUM



*"A metaphorical love letter to timber craftsmanship"*



# STYLE INDEX

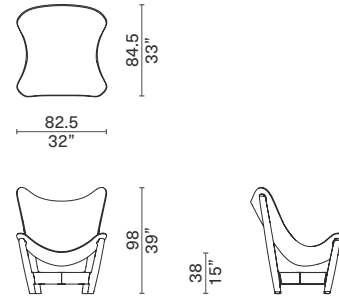
The drawings refer to the compositions as shown in the pictures. For further information on availability on sizes, we kindly ask you to get in touch with our stores.

## BUOM

Designed by  
Jean-Marie Massaud

- Oak frame / Leather / Steel

Lounge  
2042-AMCH

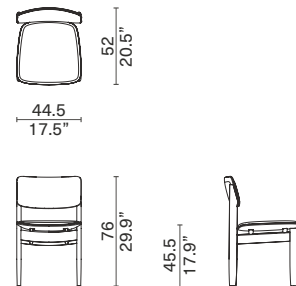


## BOW

Designed by  
Monica Förster

- Oak Frame / Upholstered  
Seat & Backrest

Dining Chair Upholstered Back  
2041-ALES

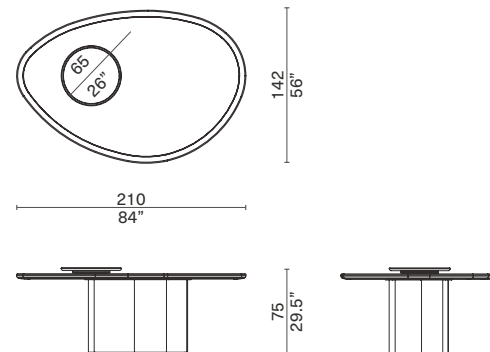


## ORA

Designed by  
Ina Rinderknecht

- Oak Frame / Marbel top

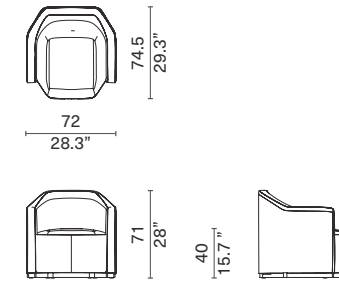
Dining Table  
1034-DNTB



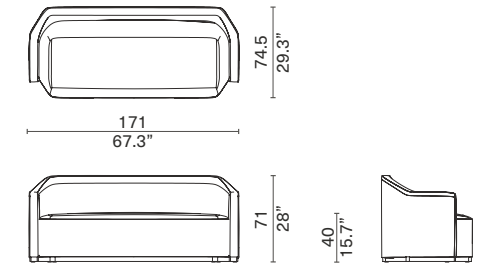
## BAGUA

- Oak frame / Upholstered  
Seat

Lounge  
2039-LGCH



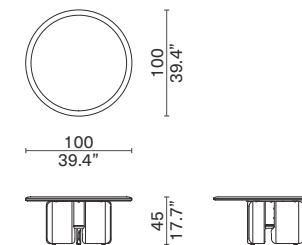
2-seater Sofa  
2039-2SEA



## FAIFO

- Oak Frame

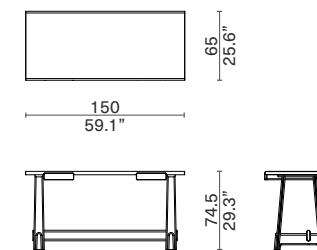
Coffee Table  
D8ST-1010-SITB



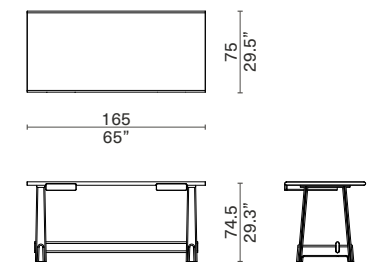
## ODETTE

- Oak / Metal In Steel

Rectangular Desk - Small  
D8ST-1017-DESK-RE-SML



Rectangular Desk - Medium  
D8ST-1017-DESK-RE-MED

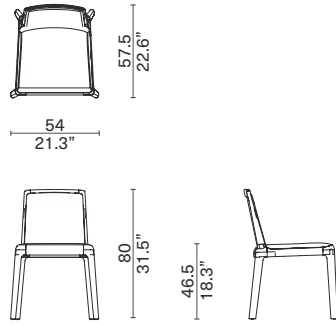


**NOM**

- Upholstery / Oak

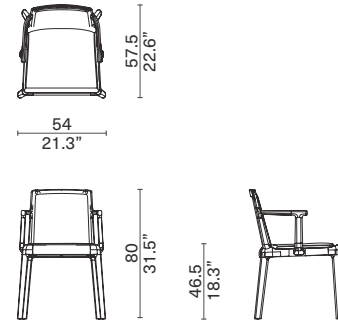
**Dining Chair Upholstered Back**

2040-ALES-SFBR



**Dining Armchair Upholstered Back**

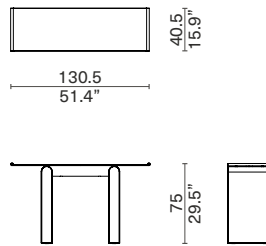
2040-SFBR



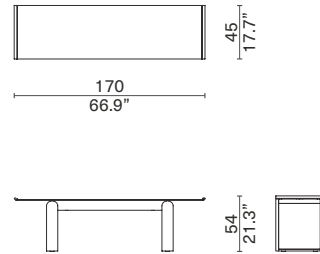
**TONKIN**

- Oak Wood / Oak Veneer / Metal In Steel

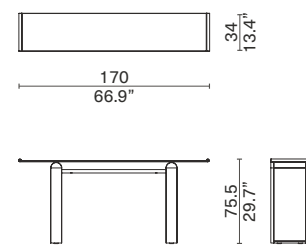
**Console  
1012**



**Low Console  
D8ST-1012-SBCS**



**Long Console  
D8ST-1012-CSLO**



THE GAMES COLLECTION



DINH /zĩŋɦɦ/ – the new edition of District Eight's Games Collection – lends its name from the Vietnamese word for 'mansion,' 'villa,' or 'palace.'

In Saigon, an architectural style known as Vietnamese modernism reigned supreme during the mid-20th century. Its blend of international ideas and vernacular ingenuity still defines much of the city's urban landscapes, and inspires our latest take on the Games' table design.

Many of Saigon's modernist structures are visual stories unto themselves. Geometric patterns figure prominently on the buildings' facades. Brise-soleil, devised to mitigate exposure to the elements in tropical climate, is a common feature that also reflects the local's long-held relatedness to nature, as it generates the subtle interplay between shadow and light, interior and exterior.

The modernist principles of clean lines and minimal ornamentation are inherent in buildings' composition. However, intrinsic too are functional yet expressive arrangements of columns, louvers, beams and loggias.

The overall effect is a distinct aesthetic that captures the Vietnamese sensitivity for harmony and balance.

That timeless spirit is translated into DINH, in which classic game tables are reimagined as soulful collectibles for the contemporary home. In this new edition, woodworking craft takes center stage and forms the tables' sculptural build, whose monolithic frame mirrors the elegant placement of beams and columns that characterize Vietnamese modernist structures. Handcrafted features, namely the leather net on DINH Ping Pong Table or leather edges on DINH Mahjong and Poker Tables, further highlight the collection's nuanced aesthetic.

Foosball Table P. 55

Mahjong Table P. 59

Ping Pong Table P.63

Poker Table P. 67

Shuffleboard Table P. 71

## DINH GAMES COLLECTION

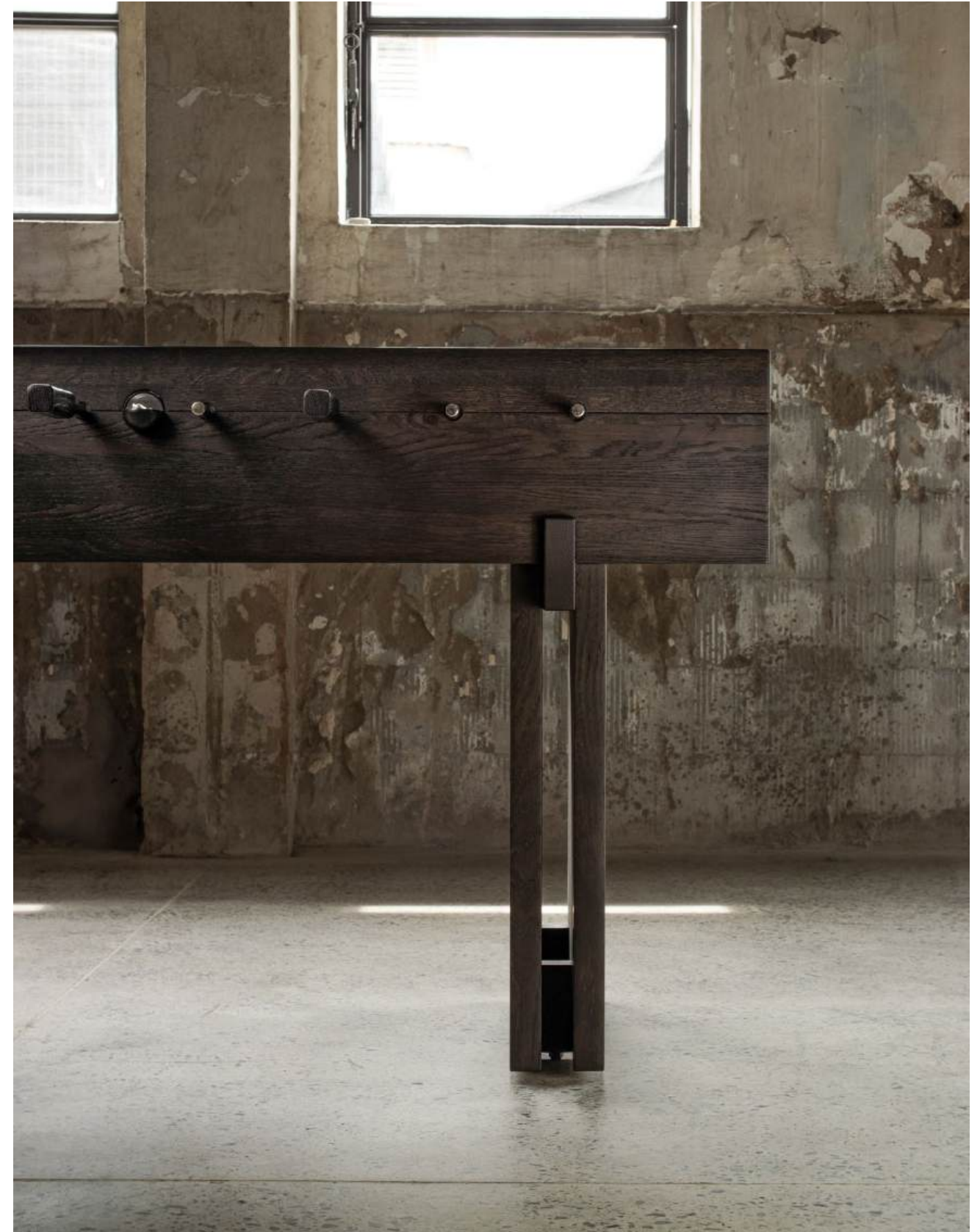
A retelling of Saigon and its creative heritage, the DINH edition embodies District Eight's passion for elevating crafts. From the initial concept to development, from the artisan's touch to the meticulous production line, every detail is infused with intention and dedication, resulting in designs of exceptional worth and character – of which our Games collection is a prime example.

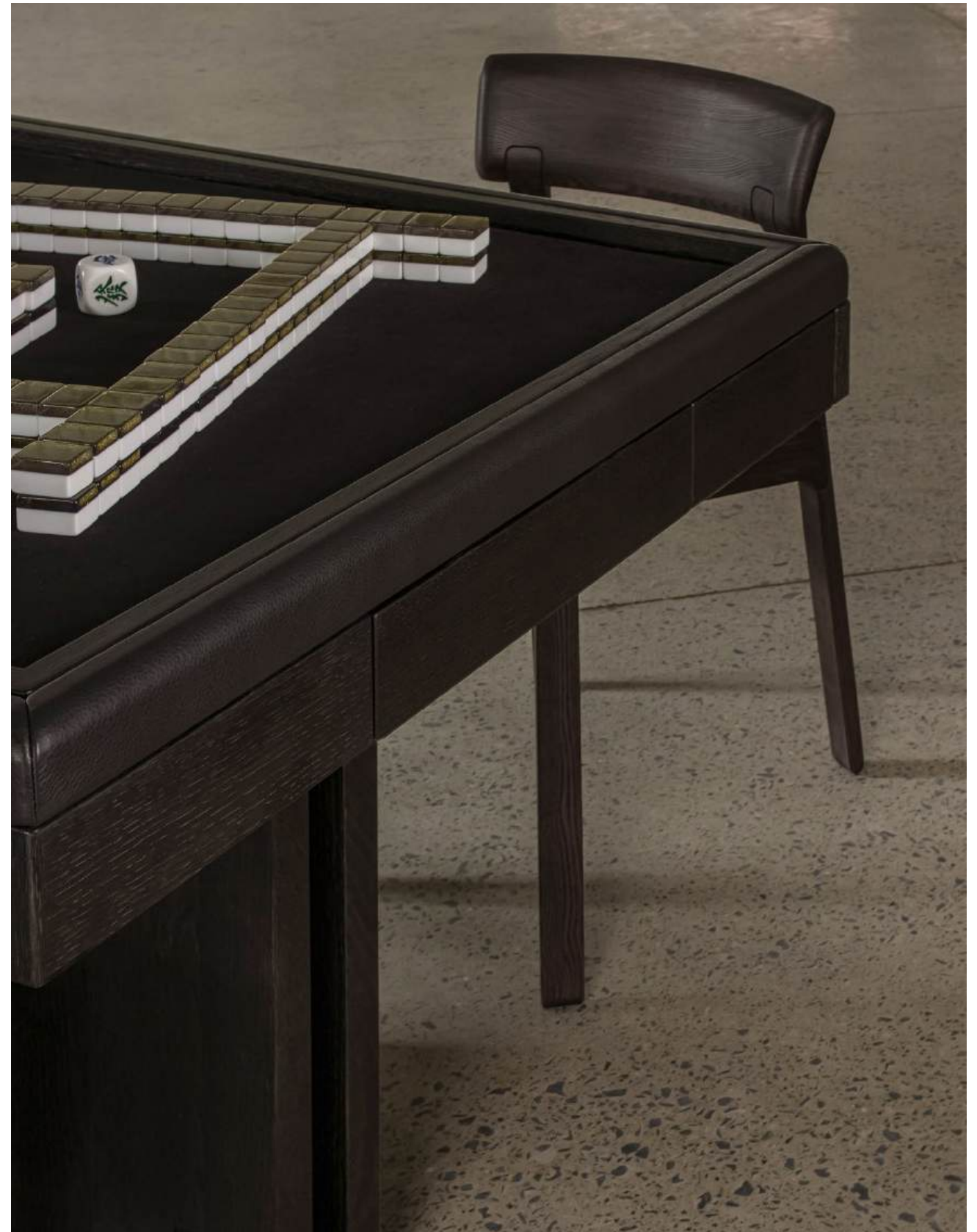


## FOOSBALL TABLE



The design employs the fine skills of our woodworking craftsmen to create a sculpturally shaped table outfitted with characterful details. Its distinct frame is crafted from solid oak, with a concrete playing surface to ensure quality game time, while the steel foos-men take on a refined form with sculpted headwear inspired by Vietnamese traditional hats.







## MAHJONG TABLE



Anchored in precision, the table incorporates practical features that define its depth and elegance. The softened edges are arrayed in leather, providing comfort for long, engaging play. The felt-lined surface assumes a monochromatic palette that accentuates its unifying tactility. Drawers for game pieces and drink placement add to its all-encompassing functionality.





## PING PONG TABLE



Featuring a detachable leather net, it can shift from a game table to a relaxed gathering point for work or leisure. The design blends aesthetic and ease with a sense of pleasing symmetry imbued within its clean-lined, structured oak frame. Well-crafted joinery enhances the table's material modernity.





## POKER TABLE



The table's well-rounded charm is derived from a balance between volume, texture and style. Its singular structure is crafted from solid oak. The tabletop's edges are overlaid with high-quality leather, while its playing surface is covered with felt fabric. These hands-on detailing adheres to a harmoniously restrained palette, and enriches the table's sophistication.





## SHUFFLEBOARD TABLE



The table is a statement in robust simplicity and structural clarity. An oak board varnished with lacquer coating delivers exacting performance, with the landing surface outfitted in hand-stitched leather. Climatic adjusters are integrated underneath the tabletop to accommodate different levels of game for both casual and competitive players.



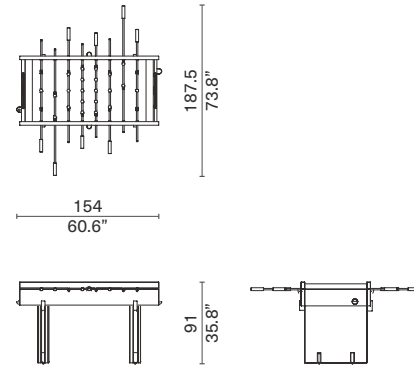
# STYLE INDEX

The drawings refer to the compositions as shown in the pictures. For further information on availability on sizes, we kindly ask you to get in touch with our stores.

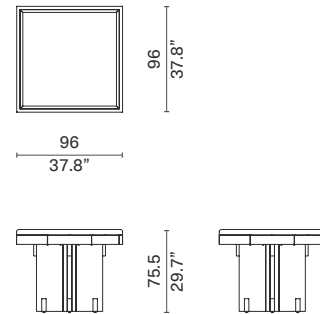
## DINH

- Oak frame / Leather

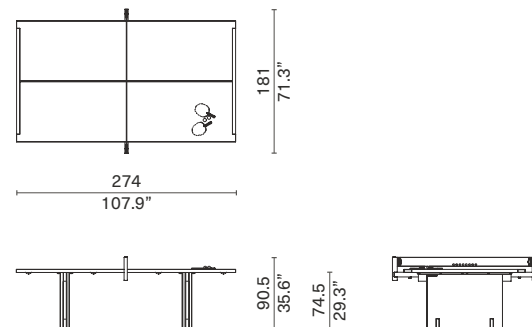
**Foosball Table**  
4007



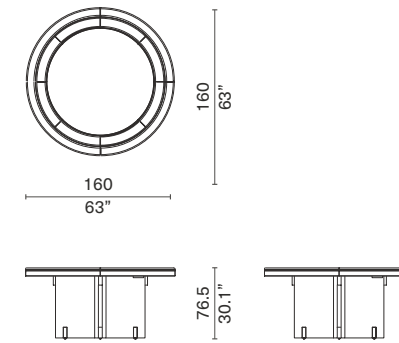
**Mahjong Table**  
4009



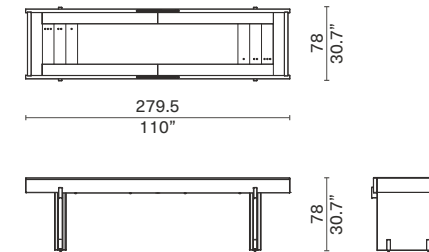
**Ping Pong Table**  
4008



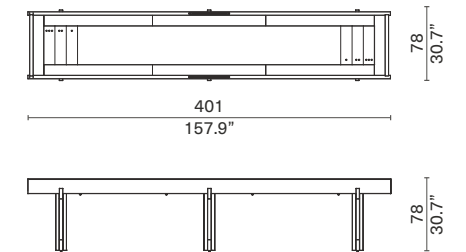
**Poker Table**  
4010



**Shuffleboard Table - Small**  
4006-SML



**Shuffleboard Table - Large**  
4006-LAG



# THE COLLECTION

LODGE	Lounge	83	KNOT	Dining Table	147
	Ottoman	86		Dining Chair	153
	Dining Armchair	161	AMES	Dining Chair	155
	Bag Holder	86		Bar/ Counter Chair	157
LIMEN	Coffee Table	89	FAIFO	Dining Table	163
	Night Table	177		VICUNA	Dining Chair
	Console	89	ODETTE		Dining Table
JOSS	Sofa System	99	Console	231	
	Bed	185	Bench	169	
STILT	Sofa Set	109	ASSEMBLY	Dining Chair	191
	Lounge Chair	105		DRIFT	Desk
	Ottoman	107	Cabinet		193
	Chaise	111	Shelf		193
	Coffee Table	110	TOTE		Credenza
	Bed	179		Dresser	197
INUMBRA	Wall Mount Shelving	119		Tallboy	198
	Single Post	82	Small Cabinet	197	
	Floor to Ceiling	115	OBJECTS	Chess Set	201
COLLETTE	Lounge	123		Pipe Vase	205v
	Dining Chair	145			
	Bar / Counter Stool	128			
	Bar / Counter Chair	127			
LOLA	Lounge Chair	134			
	2-Seater Sofa	133			
GUI	Coffee Table	135			
HIDA	Lounge Chair	137			
	Dining Chair	139			
	2-Seater Sofa	139			
	Bar / Counter Chair	140			
TORUS	Coffee Table	141			



BAGUA 2-SEATER SOFA  
*Tara Quartz*  
*Dark Seared Oak*

JOSS SOFA SET & TABLE  
*Tara Quartz*  
*Dark Seared Oak*

LIMEN COFFEE TABLE  
*Dark Seared Oak*

LODGE LOUNGE & OTTOMAN  
*Amos Cognac Leather*  
*Raw Oak*

LODGE BAG HOLDER  
*Amos Cognac Leather*  
*Raw Oak*

INUMBRA SINGLE POST  
*Ebonized Oak*  
*Antique Nickel*



## LODGE

*Designed by  
Jean-Marie Massaud*

An art de vivre, the Lodge collection is a meeting of the two complementary yet demanding worlds of Massaud and District Eight; it is one of ease and sophistication met with lasting timelessness. Inspired by the concept of travel and storied voyages to Việt Nam, the Lodge collection features a series of expertly crafted folding chairs, stools, and bag holders.

**"EASY + CHIC X LIGHT + ROBUST X TRENDY + EVERGREEN."**







## LIMEN

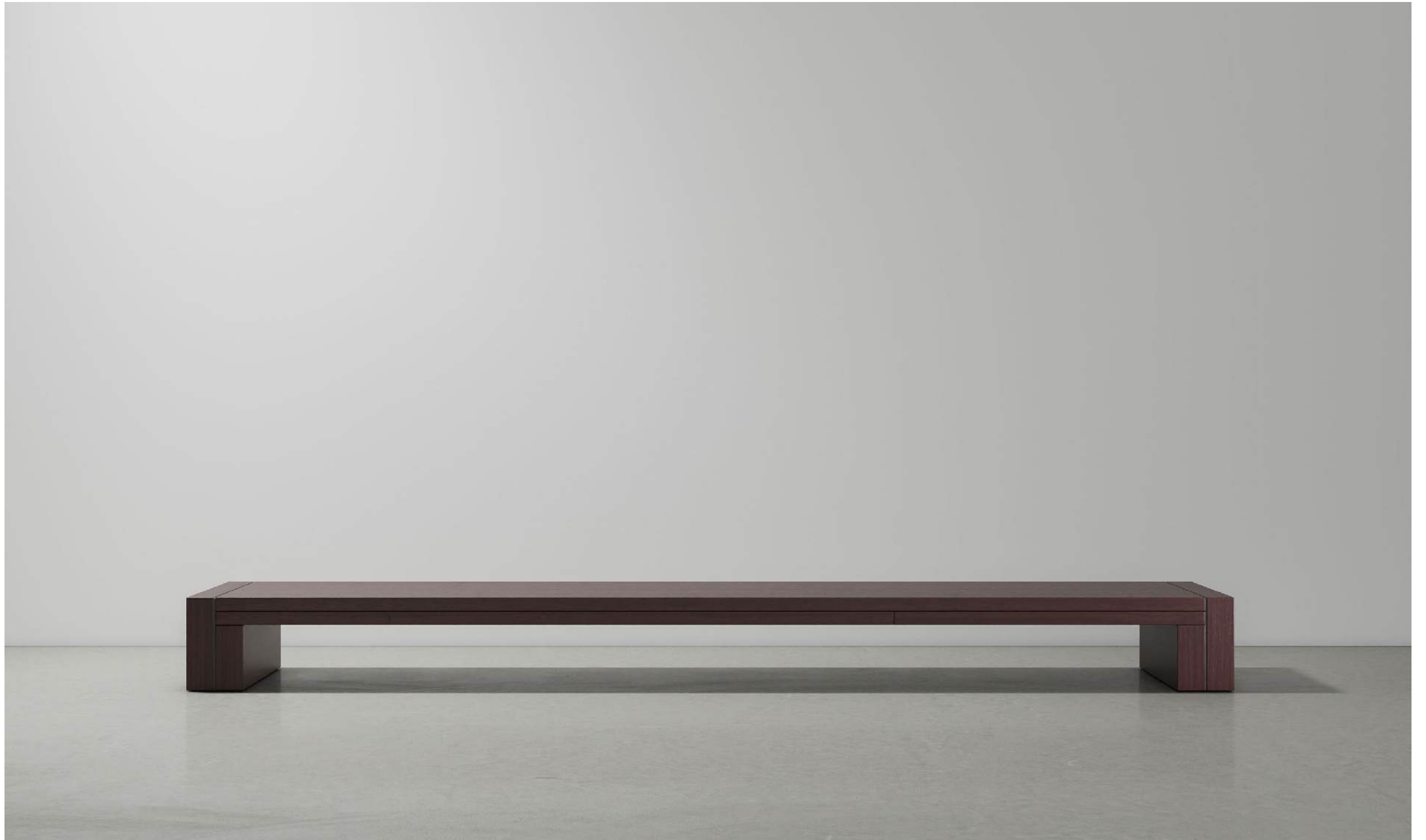
*Designed by  
studioutte*



The Limen collection, designed by studioutte for District Eight, features a family of tables based on a portal shape reduced to its purest form. Each piece is crafted from padouk or oak with inlays in blackened steel.

*"The collection is an homage to a radical timeless elegance, suspended between Eastern influences and a minimalist approach. It aspires to silently enter the most intimate domestic spaces as if it had always been there."*









JOSS SOFA SET & TABLE  
*Neos Pearl*  
*Ebonized Oak*

STILT LOUNGE & SOFA  
*Neos Bark*  
*Omari Ink Black Leather* / *Ebonized Oak*  
*Antique Nickel*

STILT CHAISE  
*Noah Ivory*  
*Omari Sepia Leather* / *Begie Oak*  
*Antique Nickel*

STILT ROUND COFFEE TABLE  
*Begie Oak*  
*Antique Nickel*



## JOSS

*Designed by  
Toan Nguyen*

Joss is a clear illustration of the fact that, in design, the quest for simplicity is the result of a complex journey. Creating a monolithic sofa characterized by exceptional seating comfort and coverings that emphasize the roundness of the volumes while maintaining a clear definition of the edges through particular attention to the seams is challenging.

Joss oak bases, whose natural tones are the result of an ingenious process developed by District Eight, are characterized by an upper curvature, a declared reference to ancestral elements of Southeast Asian architecture.

**“IF JOSS CONCEALS DETAILS THAT ATTRACT THE EYE AND THE HAND WITHOUT OSTENTATION, IT IS HARMONY AND SERENITY THAT PREVAIL.”**





## STILT

*Designed by  
Toan Nguyen*

Its conscious and no-frills design underlines District Eight's distinctive vision to articulate Vietnamese storied craftsmanship from a contemporary perspective - one that's inspired by European ingenuity, and resonates with people all over the world.

With the sofa and Lounge chair, separate back and seat cushions gently slot into a slender wood platform that comes in either leather or fabric upholstery. Together they're supported by a sinuous frame, whose seemingly simple structure pays homage to traditional stilt houses found in Northern and Central Việt Nam.

That bearing base consists of elegant wood beams and steel bars, laboriously worked on and sturdily unified by recessed joints of discerning precision. Such details also pertain to the collection's table set, providing support for its solid oak top.

A new interpretation of District Eight's signature forms and materials, the collection eloquently captures the beauty of design and the mood of modern-day living in an ever-changing world.

**"STILT IS THE RESULT OF A QUEST FOR  
HARMONY IN CONTRAST."**





A delicate balance between understated clarity and intuitive elegance, the Stilt Lounge chair is outfitted with enveloping cushions that relax the body along the line of an ergonomically reclined platform, while providing tactile comfort thanks to their minute construction.

The Stilt Ottoman is drawn from the collection's sense of harmony and naturalness, brings in a pleasing complement to Stilt's extensive lineup, and accommodates space for everyday rest and leisure.





Part of a broader collection designed by Toan Nguyen for District Eight, the Stilt Chaise is an expansion on the charm and ingenuity that Stilt is beloved for. Its steel and oak base is signature of the collection, alluding to traditional stilt houses in Southeast Asia.



The reclining frame, crafted from oak and upholstered in leather or fabric, is ergonomically contoured, and attached with a form-fitting layer of foam to provide comfort. Also comes with an adjustable headrest, the Stilt Chaise makes a calmed cocoon for ultimate relaxation in your interior settings.



INUMBRA SHELVING SYSTEM  
*Dark Seared Oak*  
*Antique Copper*

JOSS SOFA SET  
*Tara Quartz*  
*Ebonized Oak*

TORUS COFFEE TABLE  
*Burned Fir*  
*Athena Grey Marble*

LODGE LOUNGE  
*Amos Light Leather*  
*Ebonized Oak*

LODGE BAG HOLDER  
*Amos Light Leather*  
*Ebonized Oak*

TONKIN LOW CONSOLE  
*Dark Seared Oak*  
*Antique Copper*



## INUMBRA

*Designed by  
Michele De Lucchi*

Inumbra is a collaborative study between Michele De Lucchi and District Eight, resulting in reinvention of modular components that build a shelving system. From sculptural stature to discreet details, Inumbra captures the Italian architect and designer's unique expressions, while highlighting District Eight's technical capability in pared-back utility and clarifying aesthetic.

The structural elements are as easily assembled as seamlessly adjustable to varying needs and tastes. With unexpected rhythm and compositions, Inumbra poses a refreshing expression that casts new light on a long-standing staple.

**" INUMBRA IS AN ARCHITECTURAL OBJECT OF IMPOSING PRESENCE. IT RESPONDS TO THE FLUIDITY OF BEHAVIORS IN AN INCREASINGLY INTERCONNECTED WORLD, WHERE THE LINES BETWEEN PRIVATE AND PUBLIC SPACES ARE BLURRED AND INFLUENCING EACH OTHER."**

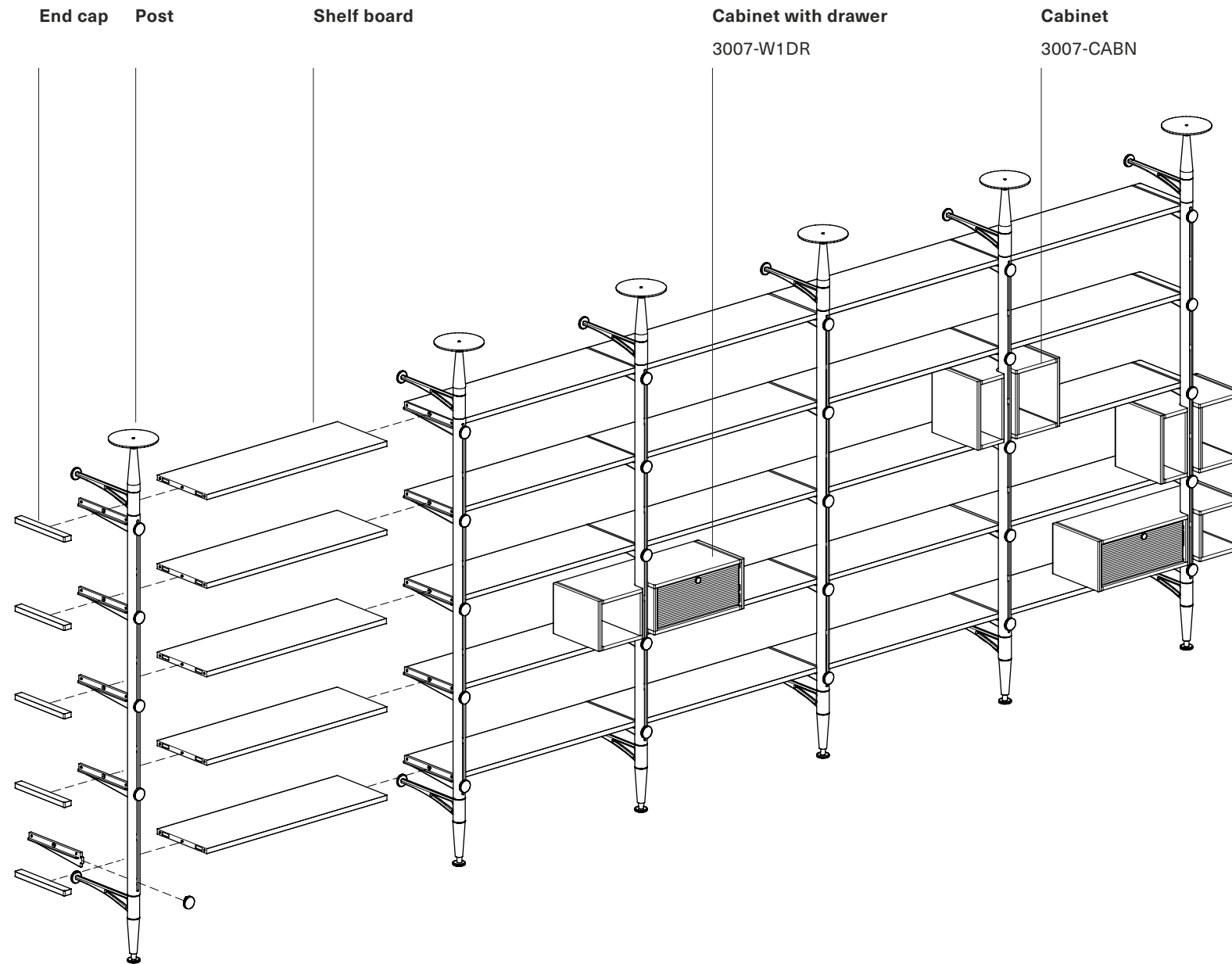
## PROJECTING ELEMENTS



End-caps are designed with built-in magnets that allow easy attachment to shelves.



The post's footer can be adjusted up to 7mm.



The brackets come in fitting options that allow flexible spacing between shelves. Inumbra can accommodate a wide range of displays, including books and folders, objects and rarities, among many other collections.

Cabinet and cabinet with drawer are reversible and fixed to any desired place on the shelving system.

Inumbra can be configured to specific needs. From variable width and height to positional cabinets, units can be added over time. It is precisely the multiple combinations and different positions of the elements on the structure that give it an unexpected rhythm, while still maintaining a motif of linearity and utilitarian usage.





STILT SOFA  
Noah Wheat  
Omari Sepia Leather

/ Dark Seared Oak  
Antique Copper

LIMEN COFFEE TABLE  
Dark Seared Oak

LOLA 2-SEATER SOFA  
Noah Wheat  
Dark Seared Oak

GUI COFFEE TABLE  
Black Lacquer

COLLETTE LOUNGE  
Echo Thunder  
Charcoal Ash

LIMEN CONSOLE  
Dark Seared Oak



## COLLETTE

*Designed by  
Adam Goodrum*

Through a harmony of verticals and curves, the Collette chair offers an abstract reference to the Vietnamese traditional script, and a love letter to the craftsmanship of timber. The design's sweeping backrest forms a collar that's instantly distinctive and inviting. Extended to swooping ridges of the armrests and their rounded ends, the frame provides ample support for ease and comfort. Elegant yet robust, Collette comes in with a wide range of upholstery for its seat cushion, lending the collection a level of formality and sophistication in any space it finds a home in.

**"A METAPHORICAL LOVE LETTER TO TIMBER CRAFTSMANSHIP."**









LOLA LOUNGE & 2-SEATER SOFA  
*Noah Wheat*  
*Ebonized Oak*

LIMEN COFFEE TABLE  
*Ebonized Oak*  
*Antique Nickel*

INUMBRA SHELVING SYSTEM  
*Ebonized Oak*  
*Antique Nickel*

GUI COFFEE TABLE  
*Black Lacquer*

STILT SOFA SET  
*Neos Bark*  
*Omari Ink Blak Leather*

*Dark Seared Oak*  
*Antique Copper*

LIMEN CONSOLE  
*Ebonized Oak*  
*Antique Nickel*



## LOLA



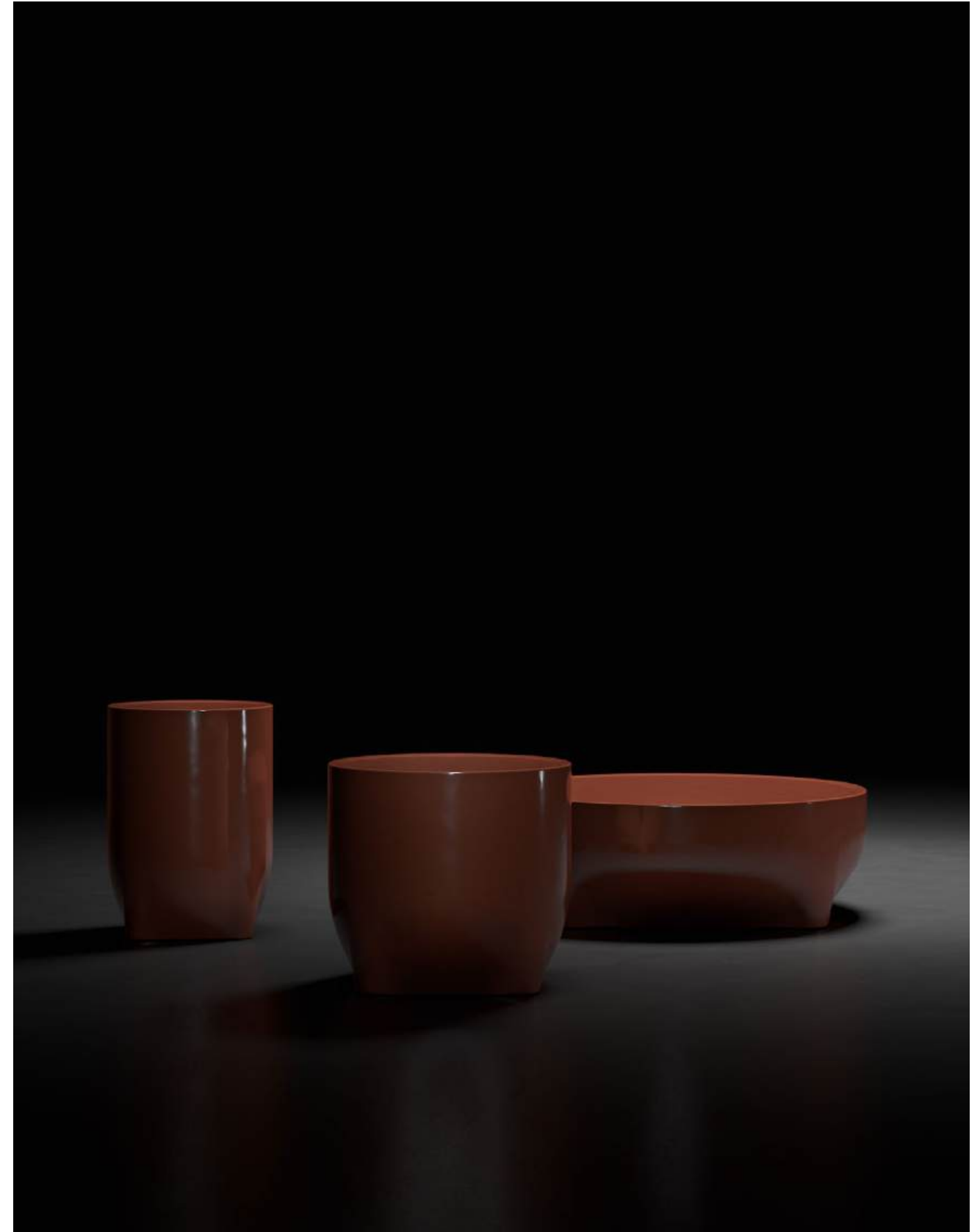
Lola tells a simple story of curves and lines - the geometry of amplexness. To achieve a clean look with encompassing comfort, Lola upholstered backrest is elevated to wrap elegantly around a generous seating cushion by a solid timber frame. This welcoming design is completed with pipping details that neatly trace and define the upholstery profile. Lola envelops the sitter in comfort, encouraging relaxation and engagement.

## GUI



The GUI collection embodies the resilience and spirit of Vietnam's highlands through its interpretation of the traditional Gùi – a woven back-basket. Each table, available in three sizes, mirrors the Gùi's shape - a round top symbolizing the sky and a square base grounding it to the earth, reflecting a cycle where the sky nourishes the land.

The collection's lacquered finish nods to East Asian artistry, celebrating centuries-old techniques while bringing a touch of contemporary sophistication. This intersection of culture and modern design gives the GUI tables their unique narrative depth and versatility for various living spaces.

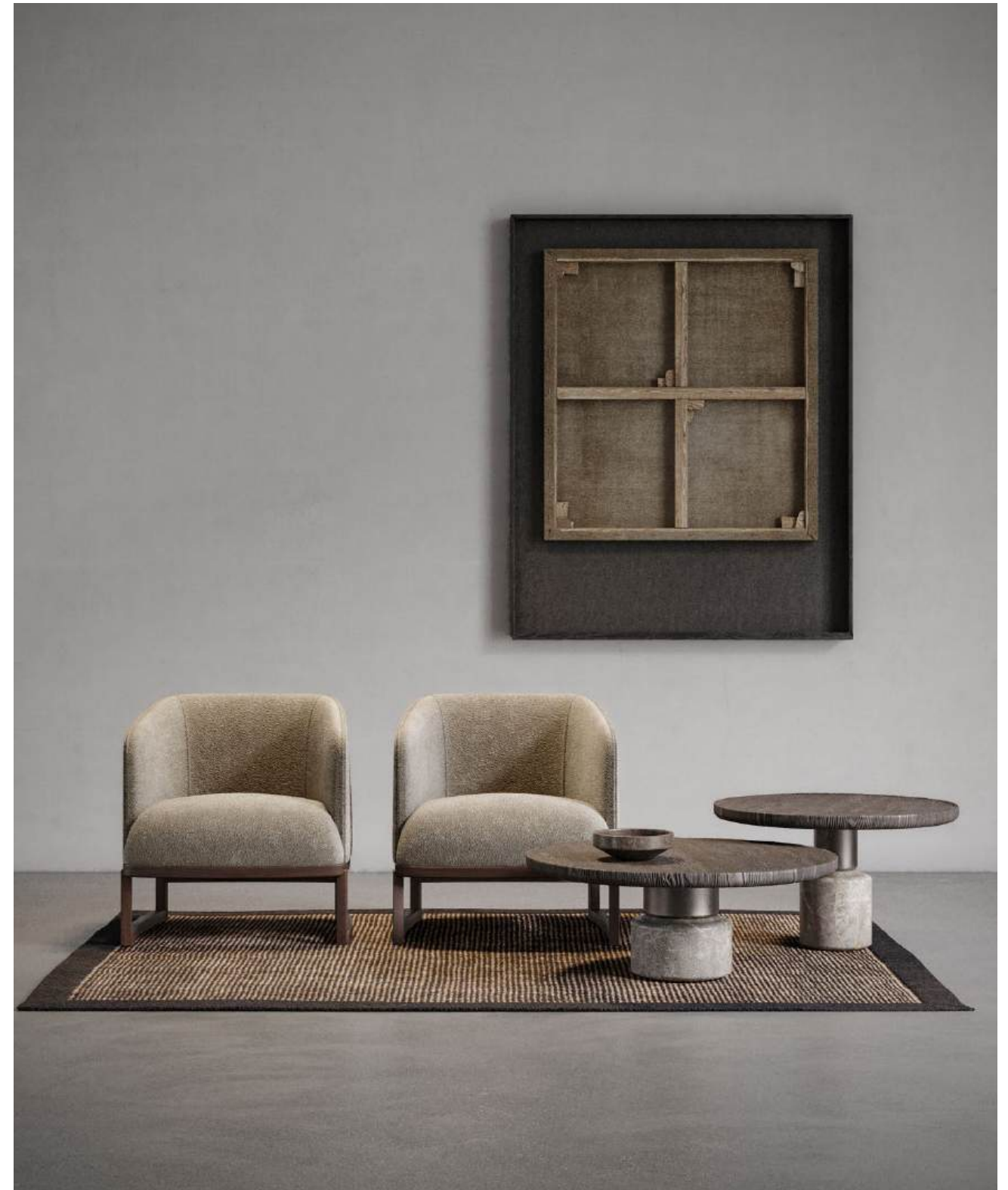


## HIDA



Hida Collection offers a seating lineup that embodies effortless style and comfort. With its upholstered seat resting elegantly on sturdy, rectangular-shaped solid wooden legs, the collection presents a reliable and visually pleasing structure.

The option to feature two types of upholstery allows for intriguing texture configurations, further complemented by the practical leather strap on the back. Hida strikes a balance between aesthetic form and versatile practicality.



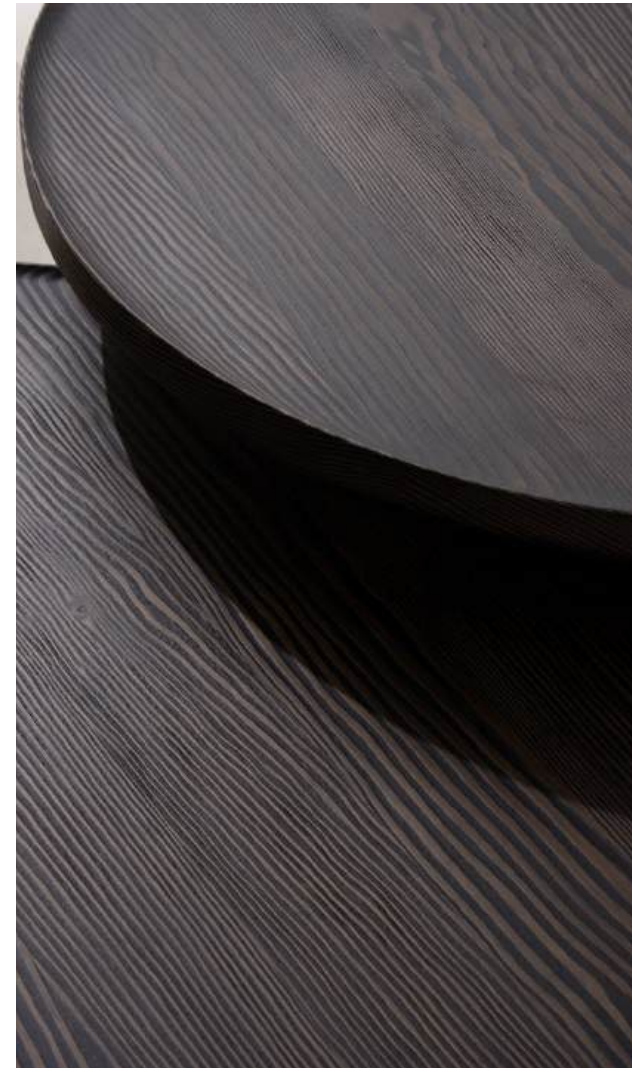
HIDA LOUNGE  
*Echo Thunder*  
*Smoked Oak*

TORUS COFFEE TABLE  
*Burned Fir*  
*Athena Grey Marble.*





## TORUS



Torus, a collection of side and coffee tables, blends contrasting textures and materials to achieve a sense of unity and sculptural beauty. Its design creates a well-proportioned structure, with a cylindrical base made of natural marble and steel, jointly balanced by a round timber top, hand-finished with a unique grain texture. Simple yet singular, Torus can complement a diverse set of styles in contemporary settings.





COLLETTE DINING ARMCHAIR  
*Echo Thunder*  
*Charcoal Ash*

COLLETTE DINING CHAIR  
*Mohair Brick*  
*Charcoal Ash*

COLLETTE STOOL  
*Echo Thunder*  
*Charcoal Ash*

KNOT DINING TABLE  
*Ebonized Oak*



## KNOT



Knot finds inspiration from the intricate weaving patterns in Asian traditional handicrafts, and reimagines them as beguiling details for solid oak tables. Through masterful woodworking, the legs are interlaced in a visual rhythm that evokes a sense of lightness and fluidity. The result is a well-balanced structure that can lend original appeal to most contemporary spaces.

Available in round or rectangular variants, they offer versatile finish options and sizes to suit your personal preference.





AMES DINING CHAIR  
*Sila Fog*  
*Smoked Oak*

KNOT DINING CHAIR  
*Sila Fog*  
*Dark Seared Oak*

KNOT ROUND DINING TABLE  
*Dark Seared Oak*

DRIFT DROP DOWN CABINET  
& SHELF  
*Dark Seared Oak*



Drawing from the timeless art of weaving, the Knot Dining Chair embodies strength and fluidity. Influenced by the intricate patterns and durability of knotted structures, it features a solid oak frame and a curvilinear backrest, echoing the natural tension and release found in knotted forms. The design provides both aesthetic appeal and supportive comfort, reimagining traditional techniques for contemporary dining spaces.





## AMES



Ames is a collection of bar, counter and dining chairs. Laid-back, almost egg-like in shape, and fanning out towards the seating cushion on both sides, the design's backrest is constructed from wood frame then fully upholstered in fabric or leather. In place of hidden joints, the chairs' tapered oak legs are extended upwards onto seating cushions and backrests, affixed with brass details.







LODGE DINING ARMCHAIR  
*Amos Light Leather*  
*Ebonized Oak*

FAIFO DINING TABLE  
*Light Fir*



## FAIFO



Faifo is dedicated to gatherings and conviviality surrounding traditional dining tables in Asia. Available in two shapes – round and rectangular, the design features triple or quadruple wings of legs that call for flexible seating arrangements. The largest round variant comes with a Lady Susan made of natural marble. Its hand-finished treatment of timber brings in textural refinement, spotlighting the table's geometric harmony and monolithic silhouette.



VICUNA DINING CHAIR  
*Noah Wheat*  
*Ebonized Oak*

FAIFO ROUND DINING TABLE  
WITH LAZY SUSAN  
*Burned Fir*

TOTE TALLBOY  
*Omari Sepia Leather*  
*Smoked Oak*





## VICUNA



The Vicuna dining chair draws inspiration from its namesake – the wild animal native to the high alpine areas of the Andes. Tranquil in form and comfortable to sit, it features a soft upholstered seat in a wide range of fabrics. The lean, elegant frame comes in our signature oak finishes. Brass accents on the curved backrest and tapered legs add more visual depth to this stylistic design.



HIDA DINING ARMCHAIR  
*Neos Pearl*  
*Omari Sepia Leather*

/ *Dark Seared Oak*

HIDA DINING CHAIR  
*Neos Pearl*  
*Dark Seared Oak*

ODETTE DINING TABLE  
*Dry Smoked Oak*

ODETTE BENCH  
*Dry Smoked Oak*

TOTE CREDENZA  
*Omari Sepia Leather*  
*Smoked Oak*



## ODETTE

Odette Collection draws inspiration from the enduring structures of Eastern architecture and objects, offering an appreciation for both cultural heritage and lasting craftsmanship. Crafted entirely from solid wood, the legs feature hand-finished convex and concave details, creating a visual illusion timber jostling against one another. Reinforced with a supporting beam, the traditional trapezoid-shaped legs provide a strong and dependable foundation, while other timber details give Odette a striking resemblance to a pagoda's gate.







STILT BED & BENCH  
*Neos Bark*  
*Dark Seared Oak* / *Antique Nickel*

LIMEN BEDSIDE TABLE  
*Padouk*

TOTE DRESSER  
*Omari Putty Leather*  
*Dry Smoked Oak*

LOLA LOUNGE  
*Noah Bark*  
*Dark Seared Oak*



## STILT BED



The Stilt Bed with its minimal look was designed to maximize relaxing comfort as well as deliver intuitive elegance, projecting the idea of an embrace, a haven. The tailoring finishes and finely crafted steel elements at the back transform the Stilt Bed into a refined centerpiece in solitary when placed in the middle of the room.





JOSS BED - EXTENDED HEADBOARD  
*Echo Thunder*  
*Smoked Oak*

LODGE BAG HOLDER  
*Amos Light Leather*  
*Raw Oak*

INUMBRA WALL-MOUNT SHELVING  
*Raw Oak*  
*Antique Nickel*

LODGE OTTOMAN  
*Amos Light Leather*  
*Raw Oak*

BAGUA LOUNGE  
*Neos Bark*  
*Smoked Oak*



## JOSS BED



With generous foam for unparalleled comfort and seams of aesthetic precision that highlight the bed's silhouette, the Joss Bed symbolizes the elegance of simplicity. Its solid wood base features a subtle curvature inspired by the roofs of Southeast Asian temples, adding a touch of architecture to its contemporary design.





STILT CHAISE  
*Neos Pearl*  
*Omari Putty Leather*

/ *Beige Oak*  
*Antique Nickel*

LIMEN COFFEE TABLE  
*Ebonized Oak*

DRIFT DESK  
*Ebonized Oak*

DRIFT CABINET AND DRAWER  
*Ebonized Oak*  
*Antique Nickel*

DRIFT SHELF  
*Ebonized Oak*  
*Antique Nickel*

ASSEMBLY DINING ARMCHAIR  
*Mohair Sand*  
*Dry Smoked Oak*

## ASSEMBLY



The Assembly dining chair is built on sculptural oak frames with tapered legs, offering comfortable and durable leather seats. The backrest is crafted with cast aluminium in the mold of wood grain texture, leaning into our signature interplay of materials and techniques. Assembly is available with or without armrests, along with various wood and leather finishes for your personalization.





## DRIFT



Drift is a collection of wall-mounted desks, shelves, cabinets and drawers that create the perfect storage system for home and office. These fit-for-purpose modules can be sized, combined and configured according to your exact need and space. Every Drift module features a hand-polished steel top, offering tactile contrast with their sturdy oak frames and inviting tasteful arrangement of your everyday objects. Cabinets and drawers are fitted with brass pulls for gratifying hand feel and seamless use.

## TOTE



A collection of cabinets, credenzas, dressers and tallboys, Tote honors the simple pleasure of personal keepsakes, collected curiosities, and organized routines. Streamlined in form and function, the collection's standard builds with drawers and/or doors are crafted in oak.

Subtlety for details is highlighted upon the evenly contrasted steel legs, while the highlight awaits in Tote's hand-crafted handles – outfitted in high-quality leather, they provide tactile pleasure and warmth upon touch. The collection is a testament to how everydayness can be elevated to edifying revelations.









Modeled on the exacting standards of our beloved furniture, the Chess Set by District Eight combines the sheer beauty of materials with authentic inspirations from Vietnamese court attires of yore, resulting in unique pieces for keeps and magnetic hours of play.

The chessboard is constructed of smoked oak and ash wood, meticulously hand-picked and refined to perfection, and equipped with cylindrical steel legs for weight support and easy pull. Cast in aluminum with brass and black finishing, the stylized pieces are padded with felt to provide sensory comfort for players.

## CHESS SET





## PIPE



The Pipe vase by studioutte is designed to bring design of natural grace to your everyday life. Its cylindrical, softly concave shape draws inspiration from the internodes of bamboo, a traditional craft material and literary symbol in many Asian cultures. Its hand-painted lacquer coating comes in black or oxblood color. Pipe is a simple yet charming decorative piece, a fine accent of relaxed harmony for any living interior.

# STYLE INDEX

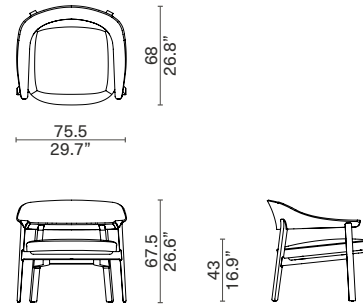
The drawings refer to the compositions as shown in the pictures. For further information on availability on sizes, we kindly ask you to get in touch with our stores.

## COLLETTE

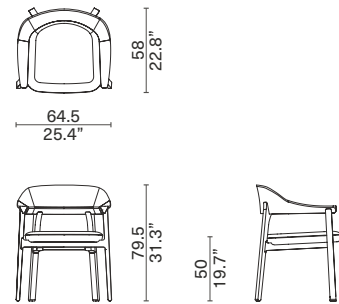
Designed by  
Adam Godrum

- Oak or Ash Frame /  
Upholstered Seat

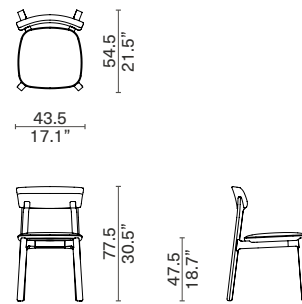
Lounge Chair  
2020-LGCH



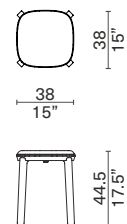
Dining Chair Armchair  
2020



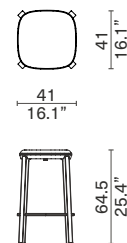
Dining Chair  
2020-ALES



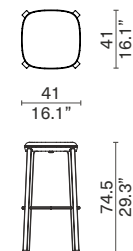
Stool  
2020-LOST



Counter Stool  
2020-COST



Bar Stool  
2020-BAST

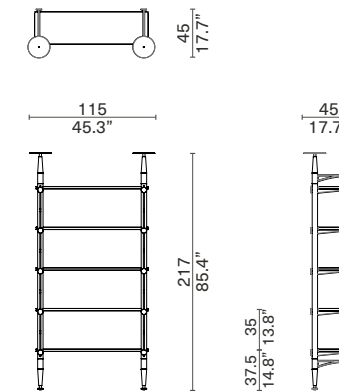


## INUMBRA

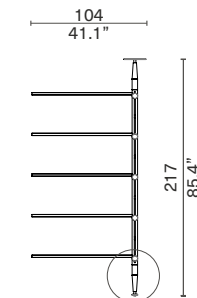
Designed by  
Michele De Lucchi

- Oak Frame / Steel Hardware

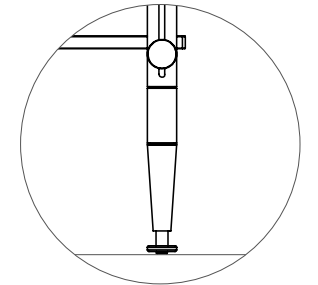
Standard - Medium  
3007-MED



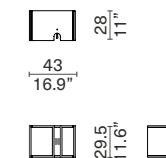
Extension - Medium  
3007-EXTS-MED



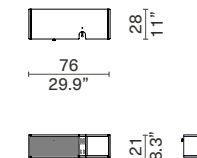
The post's footer can be  
adjusted up to 0.7 cm (0.27  
inch)



Cabinet  
3007-CABN



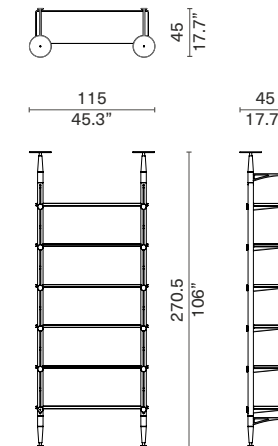
Cabinet with Drawer  
3007-W1DR



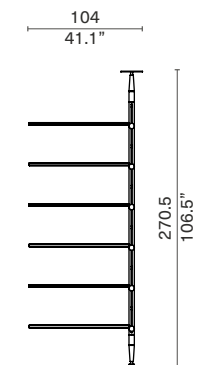
Both cabinets can be  
displayed to different  
orientation by rotating the  
cabinet and changing the  
hook position.

Cabinet and cabinet with  
drawer are reversible and  
fixed to any desired place  
on the shelving system.

Standard - Large  
3007-LAG



Extension - Large  
3007-EXTS-LAG

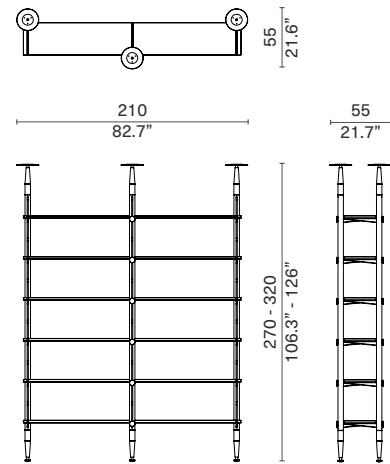


## INUMBRA

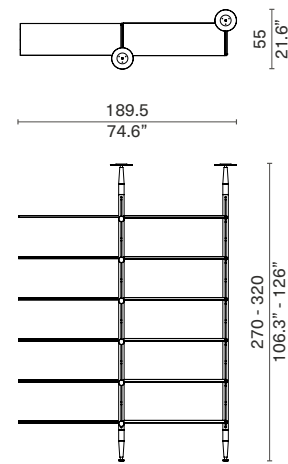
Designed by  
Michele De Lucchi

- Oak Frame / Steel Hardware

### Floor To Ceiling - Standard 3009-H1



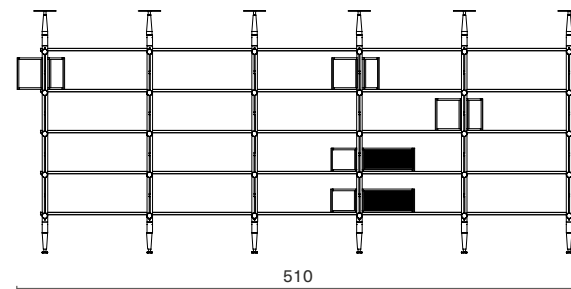
### Floor To Ceiling - Extension 3009-EXTS-H1



Adapter component	3009-ADAP-H1 / 3009-EXTS-ADAP-H1	H270
to create different	3009-ADAP-H2 / 3009-EXTS-ADAP-H2	H280
heights of Inumbra	3009-ADAP-H3 / 3009-EXTS-ADAP-H3	H290
Floor to ceiling	3009-ADAP-H4 / 3009-EXTS-ADAP-H4	H300
config:	3009-ADAP-H5 / 3009-EXTS-ADAP-H5	H320

Composition in set

3007 / 3007-EXTS x4 / 3007 - ABM x3 / 3007 - W1DR x2

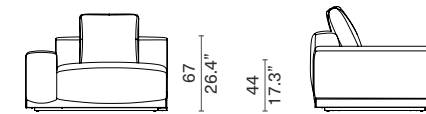
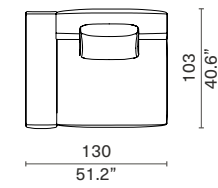


## JOSS

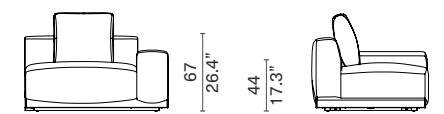
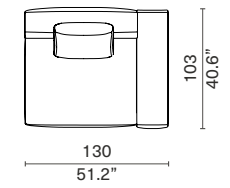
Designed by  
Toan Nguyen

- Upholstery / Oak base

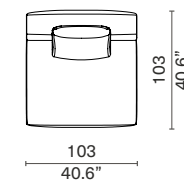
### 1-Seater Sofa - Left Arm 2019-M1LA



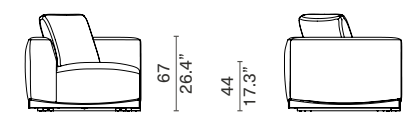
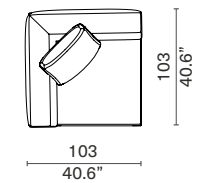
### 1-Seater Sofa - Right Arm 2019-M1RA



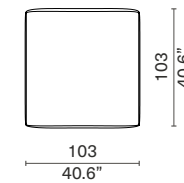
### 1-Seater Sofa - Armless 2019-ALES



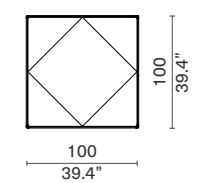
### 1-Seater Sofa - Corner 2019-M1CN



### Ottoman 2019-OTTO



### Table 1014

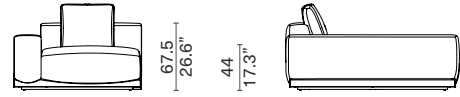
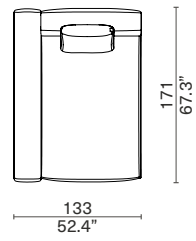


**JOSS**

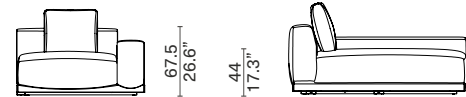
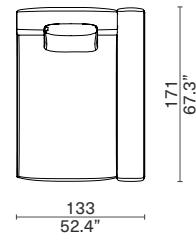
Designed by  
Toan Nguyen

- Upholstery / Oak base

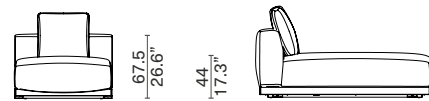
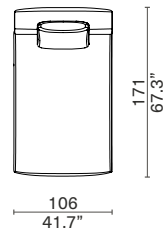
**Daybed - Left Arm**  
2019-LFDB



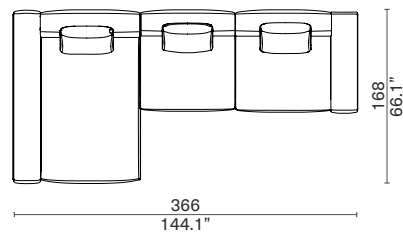
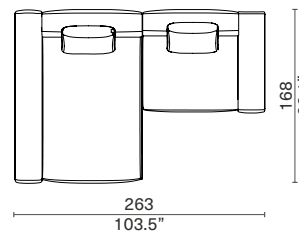
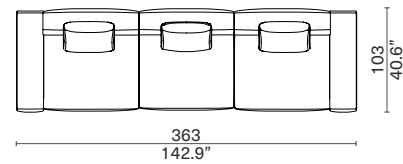
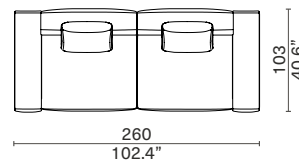
**Daybed - Right Arm**  
2019-RGDB



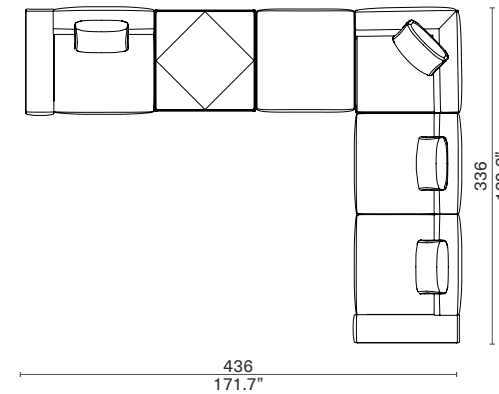
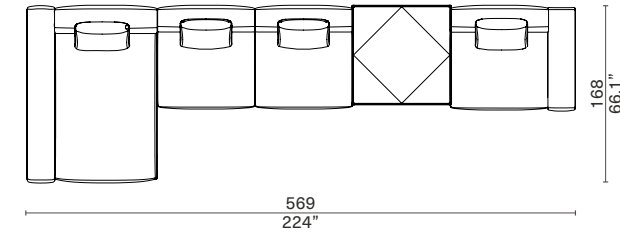
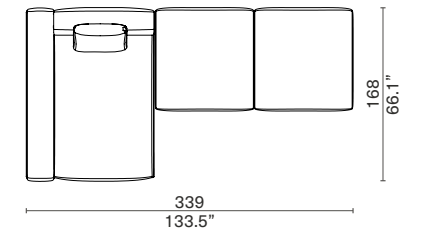
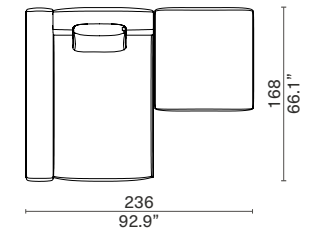
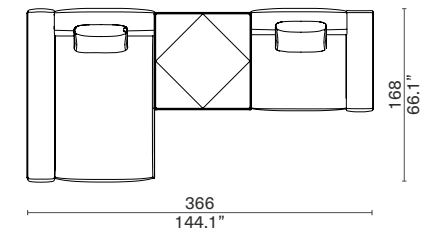
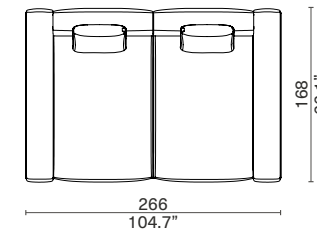
**Daybed - Armless**  
2019-DBWO



**Recommended sets**



**Recommended sets**

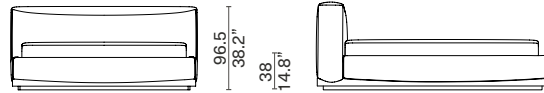
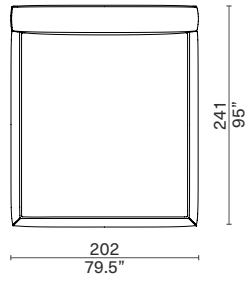


## JOSS

Designed by  
Toan Nguyen

- Upholstery / Oak base

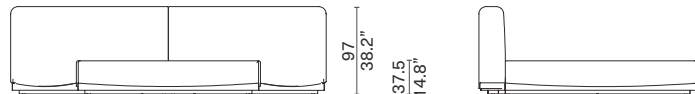
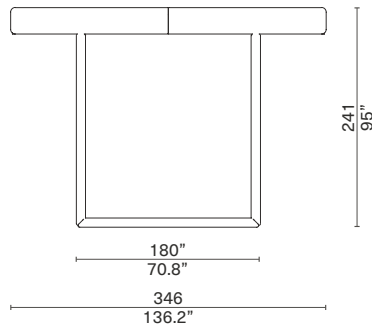
Bed - King  
3021-KIN



**AVAILABLE SIZES**

	(Frame)			(Mattress)		
<b>King Size</b>	L241 L94.9"	W202 W79.5"	H96.5 H38"	L200 L78.7"	W180 W70.9"	Thickness 30 Thickness 11.8"
<b>Queen Size</b>	L241 L94.9"	W182 W71.7"	H96.5 H38"	L200 L78.7"	W160 W63"	Thickness 30 Thickness 11.8"
<b>US King Size</b>	L246 L96.9"	W220 W86.6"	H96 H37.8"	L203 L79.9"	W193 W76"	Thickness 30 Thickness 11.8"
<b>US Queen Size</b>	L246 L96.9"	W179 W70.5"	H96 H37.8"	L203 L79.9"	W152 W59.8"	Thickness 30 Thickness 11.8"

Bed-Extended Headboard - King  
3021-EXBD-KIN



**AVAILABLE SIZES**

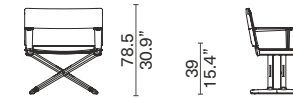
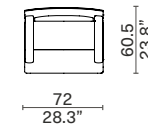
	(Frame)			(Mattress)		
<b>King Size</b>	L238.5 L93.9"	W345 W135.8"	H88.5 H34.8"	L200 L78.7"	W180 W70.9"	Thickness 30 Thickness 11.8"
<b>Queen Size</b>	L238.5 L93.9"	W325 W128"	H88.5 H34.8"	L200 L78.7"	W160 W63"	Thickness 30 Thickness 11.8"
<b>US King Size</b>	L242 L95.3"	W358 W140.9"	H88.5 H34.8"	L200 L78.7"	W152 W63"	Thickness 30 Thickness 11.8"
<b>US Queen Size</b>	L242 L95.3"	W317.5 W125"	H88.5 H34.8"	L203 L79.9"	W152 W59.8"	Thickness 30 Thickness 11.8"
<b>Cali King Size</b>	L252 L99.2"	W348 W137"	H88.5 H34.8"	L213 L83.9"	W183 W72"	Thickness 30 Thickness 11.8"

## LODGE

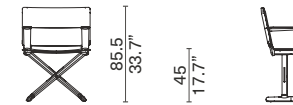
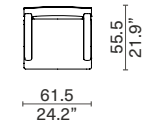
Designed by  
Jean-Marie Massaud

- Leather Seat Backrest / Oak  
Frame

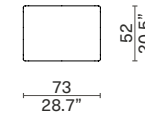
Lounge  
2038-LGCH



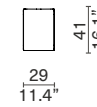
Dining Armchair  
2038-AMCH



Ottoman  
2038-OTTO



Bag Holder  
2038-BAHD

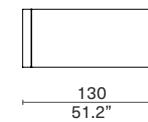


## LIMEN

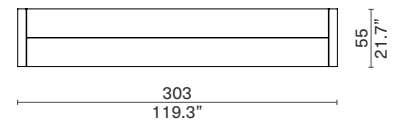
Designed by  
studioutte

- Padouk or Oak/ Metal

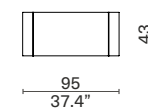
Rectangular Coffee Table - Medium  
1033-RE-MED



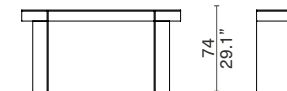
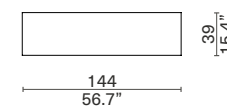
Rectangular Coffee Table - Extra Large  
1033-RE-EXL



Bedside Table  
1033-NITB-RE



Console  
1033-CONS

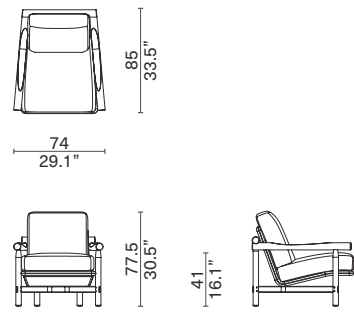


**STILT**

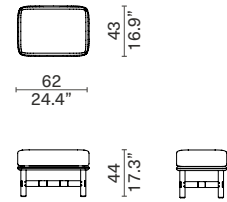
Designed by  
Toan Nguyen

- Oak frame / Upholstered  
platform & cushions / Steel  
structure

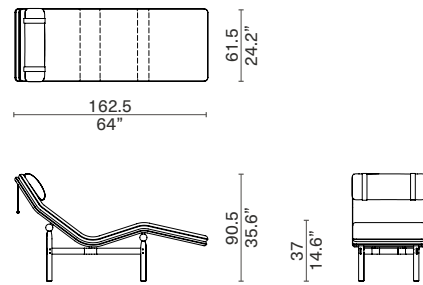
**Lounge**  
2016-AMCH



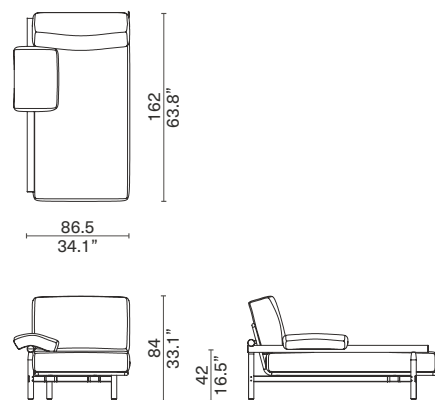
**Ottoman**  
2016-OTTO



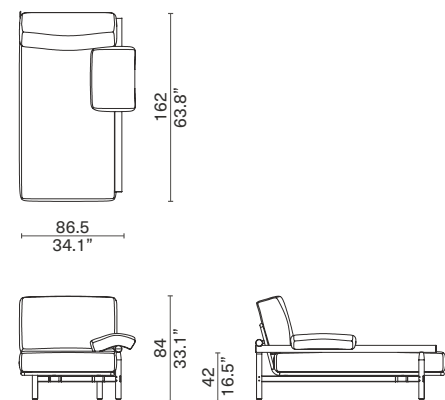
**Chaise**  
2016-CHLG



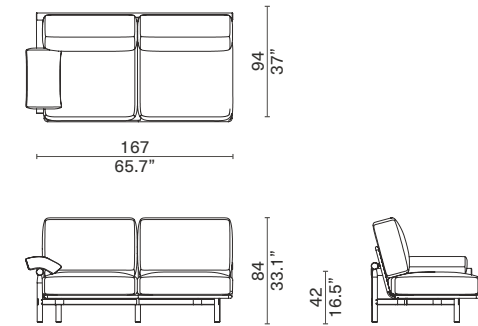
**Daybed - Left Arm**  
2017-LFDB



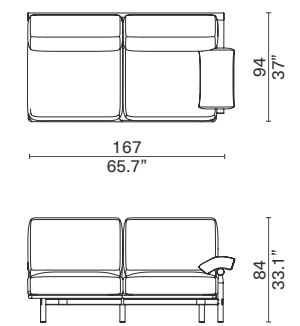
**Daybed - Right Arm**  
2017-RGDB



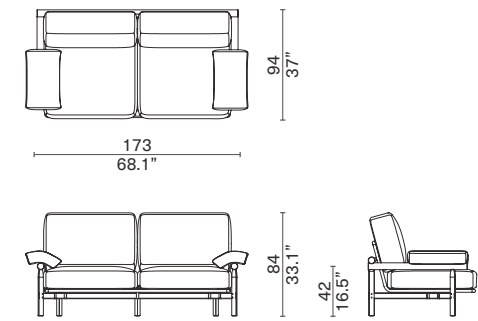
**2-Seater Sofa - Left Arm**  
2016-2SLA



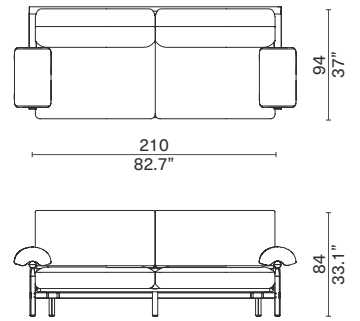
**2-Seater Sofa - Right Arm**  
2016-2SRA



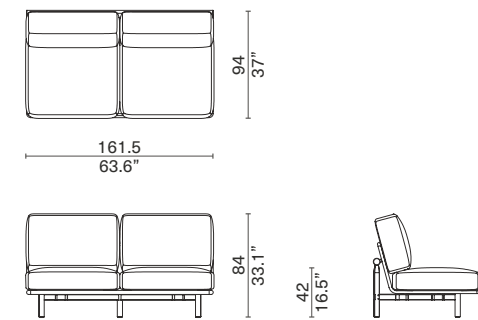
**2-Seater Sofa - Medium**  
2016-2SEA



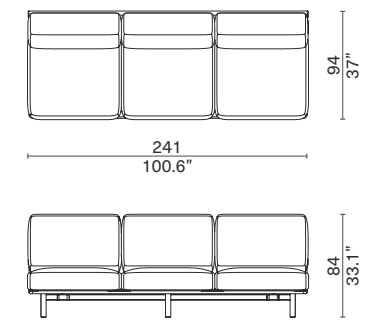
**2-Seater Sofa - Large**  
2016-2SEA-LAG



**2-Seater Sofa - Armless**  
2016-2SWO



**3-Seater Sofa - Armless**  
2016-3SWO

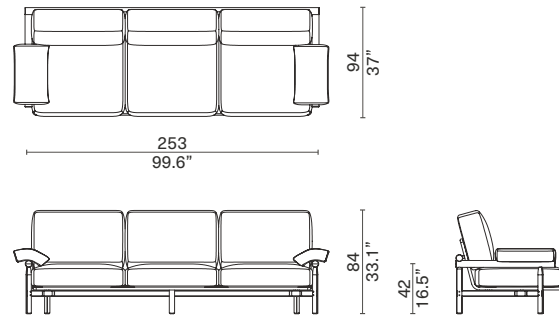


**STILT**

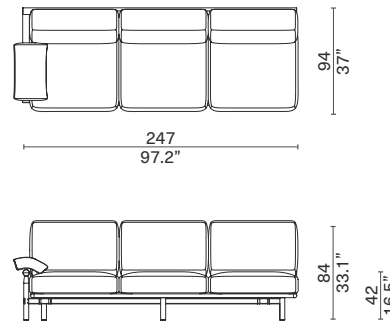
Designed by  
Toan Nguyen

- Oak frame / Upholstered  
platform & cushions / Steel  
structure

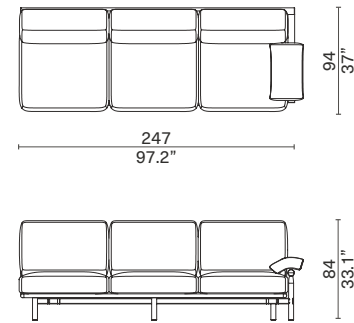
**3-Seater Sofa**  
2016-3SEA



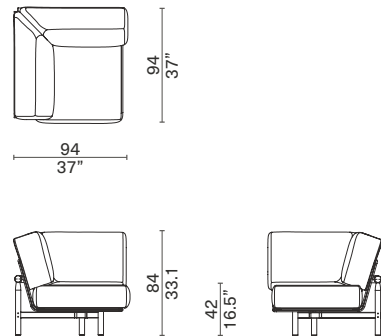
**3-Seater Sofa - Left Arm**  
2016-3SWL



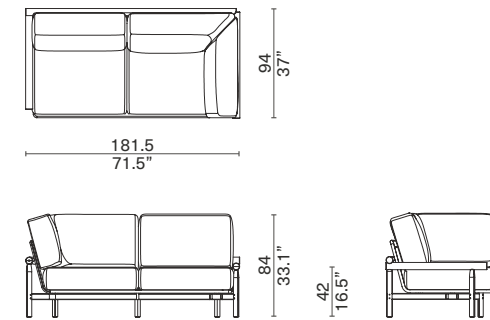
**3-Seater Sofa - Right Arm**  
2016-3SWR



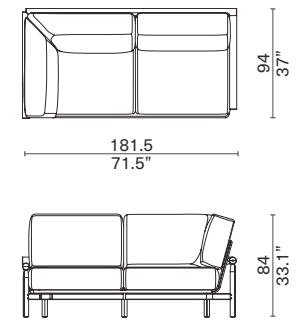
**1-Seater Sofa - Corner**  
2017-M1CN



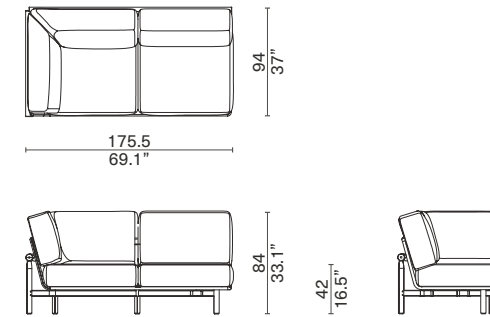
**2-Seater Sofa - Left Corner**  
2017-2LCW



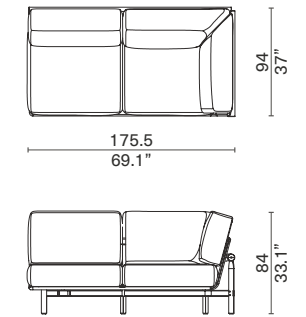
**2-Seater Sofa - Right Corner**  
2017-2RCW



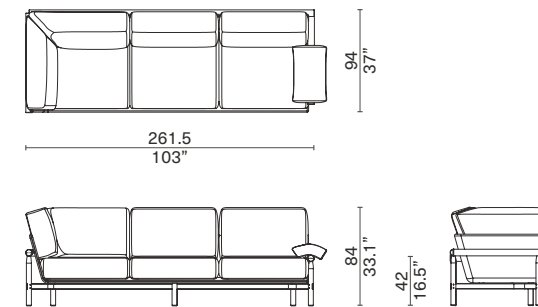
**2-Seater Sofa - Left Corner Armless**  
2017-2LCO



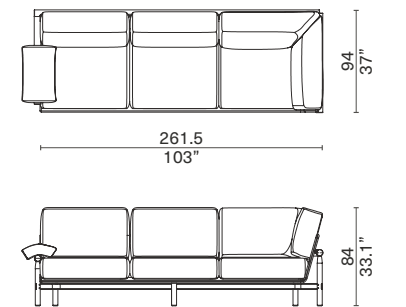
**2-Seater Sofa - Right Corner Armless**  
2017-2RCO



**3-Seater Sofa - Left Corner**  
2017-3LCW



**3-Seater Sofa - Right Corner**  
2017-3RCW

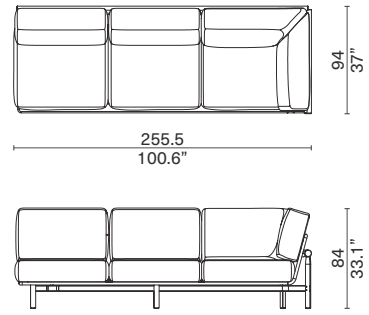


**STILT**

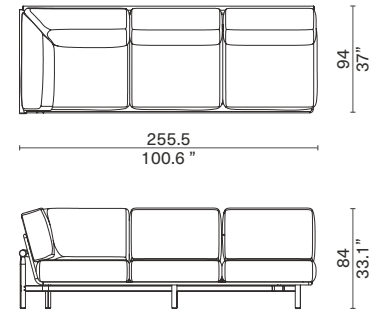
Designed by  
Toan Nguyen

- Oak frame / Upholstered  
platform & cushions / Steel  
structure

**3-Seater Sofa - Left Corner Armless**  
2017-3LCO

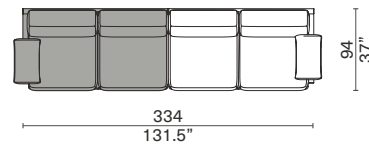


**3-Seater Sofa - Right Corner Armless**  
2017-3RCO

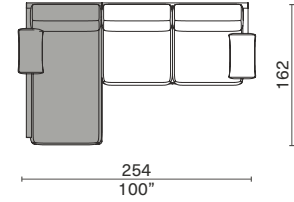


**RECOMMENDED SET**

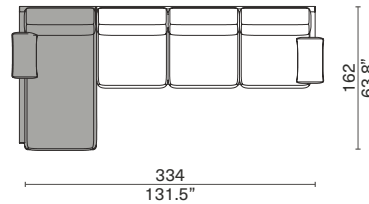
**Set A**



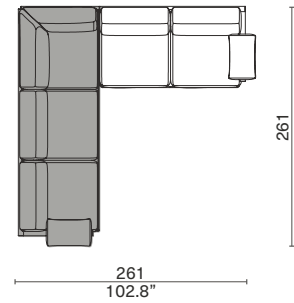
**Set B**



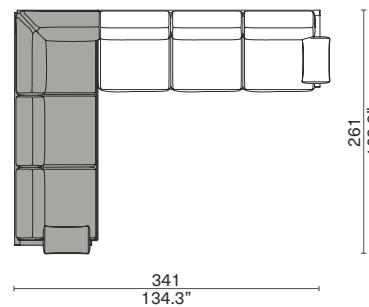
**Set C**



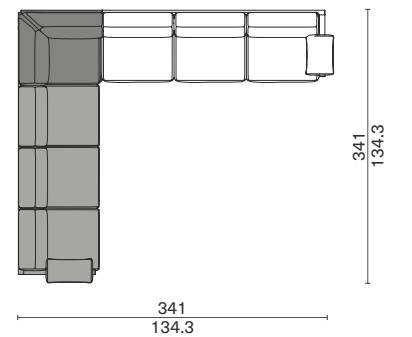
**Set D**



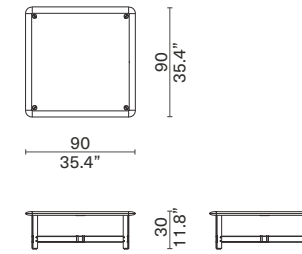
**Set E**



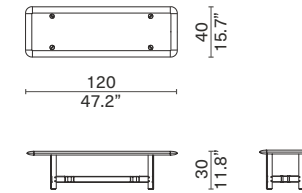
**Set F**



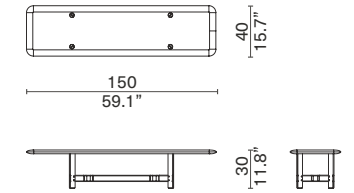
**Square Table**  
1007-SQ



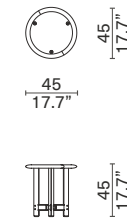
**Rectangular Table - Small**  
1007-RE-SML



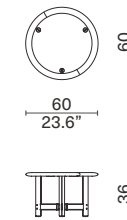
**Rectangular Table - Large**  
1007-RE-LAG



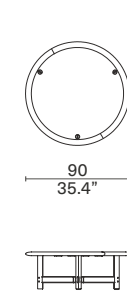
**Round Table - Small**  
1007-CI-SML



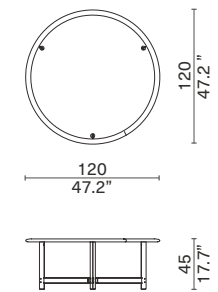
**Round Table - Medium**  
1007-CI-MED



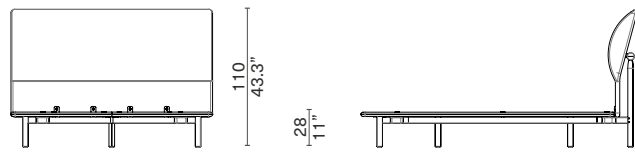
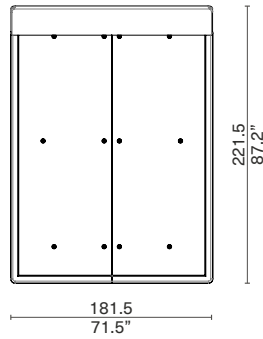
**Round Table - Large**  
1007-CI-LAG



**Round Table - Extra Large**  
1007-CI-EXL



**Bed - King**  
3008-KIN



**AVAILABLE SIZES**

**Super King Size**

**(Frame)**

L241.5 W201.5 H110

L95.1" W79.3" H43.3"

**King Size**

L221.5 W181.5 H110

L87.2" W71.5" H43.3"

**Queen Size**

L221.5 W161.5 H110

L87.2" W63.6" H43.3"

**US King Size**

L225.5 W194.5 H110

L112.8" W76.6" H43.3"

**US Queen Size**

L225.5 W154.5 H110

L112.8" W60.8" H43.3"

**(Mattress)**

L220 W200 Thickness 30

L86.6" W78.7" Thickness 11.8"

L200 W180 Thickness 30

L78.7" W70.9" Thickness 11.8"

L200 W160 Thickness 30

L78.7" W63" Thickness 11.8"

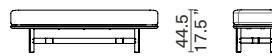
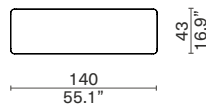
L203 W193 Thickness 30

L79.9" W76" Thickness 11.8"

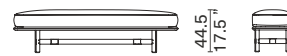
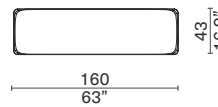
L203 W152 Thickness 30

L79.9" W59.8" Thickness 11.8"

**Bench - Medium**  
2016-BENC-MED



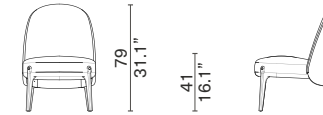
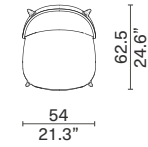
**Bench - Large**  
2016-BENC-LAG



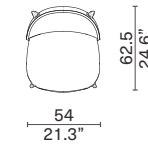
**AMES**

- Oak legs / Upholstery /  
Brass

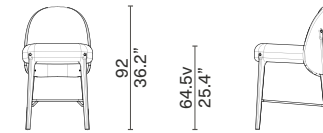
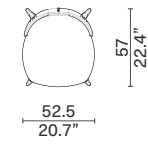
**Low Dining Chair**  
2015-LDAL



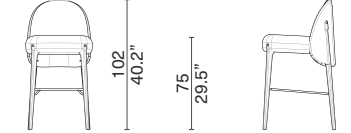
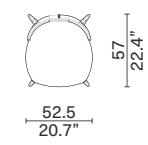
**Dining Chair**  
2015



**Counter Chair**  
2015-COCH



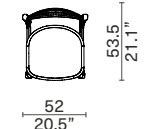
**Bar Chair**  
2015-BACH



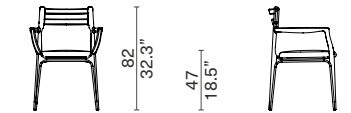
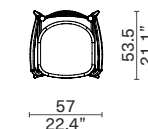
**ASSEMBLY**

- Oak / Upholstery seat /  
Cast aluminium backrest

**Dining Chair**  
2011



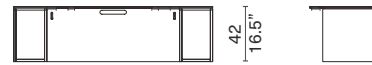
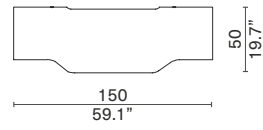
**Dining Armchair**  
2011-AMCH



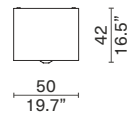
**DRIFT**

- Oak / Steel

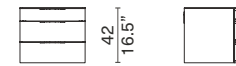
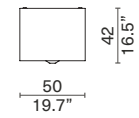
**Desk**  
237-DESK



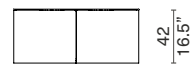
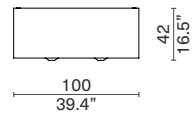
**Double Drawer Unit**  
237-CABN



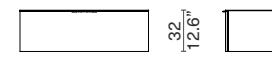
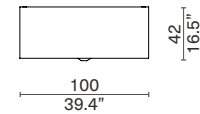
**Triple Drawer Unit**  
237-DDCA



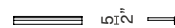
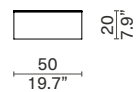
**2 Doors Cabinet**  
237-CABN



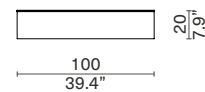
**Drop-down Cabinet**  
237-DDCA



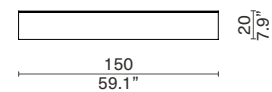
**Shelf - Short**  
237-SHEL-SML



**Shelf - Long**  
237-SHEL-LAG



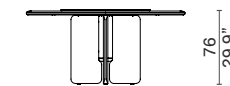
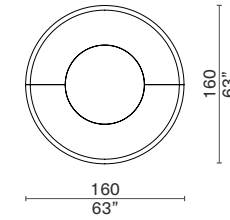
**Shelf - Extra Long**  
237-SHEL-EXL



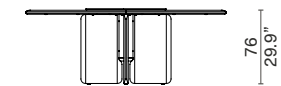
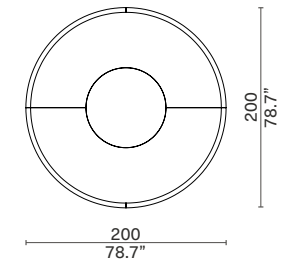
**FAIFO**

- Oak or Fir / Marble / Steel

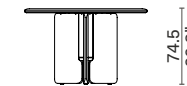
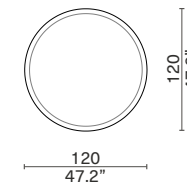
**Round Dining Table with Lazy Susan**  
- Medium  
1010-CI-MED-ATM



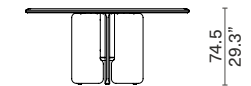
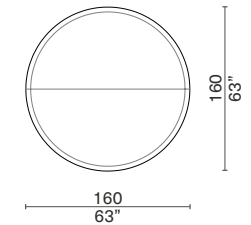
**Round Dining Table with Lazy Susan**  
- Extra Large  
1010-CI-EXL-ATM



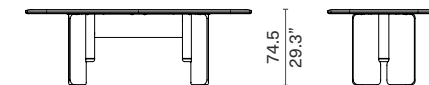
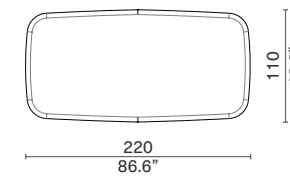
**Round Dining Table - Small**  
1010-CI-SML



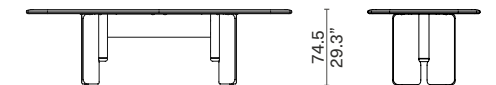
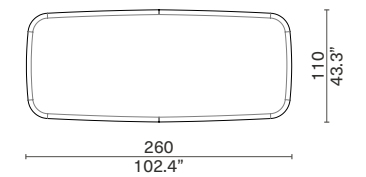
**Round Dining Table - Medium**  
1010-CI-MED



**Rectangular Dining Table - Medium**  
1010-RE-MED



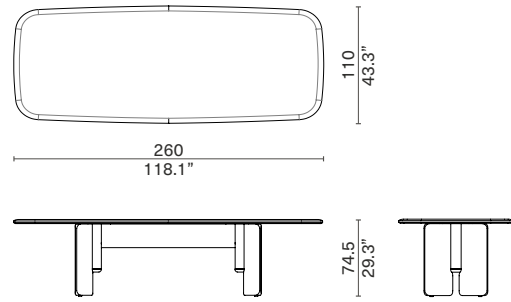
**Rectangular Dining Table - Large**  
1010-RE-LAG



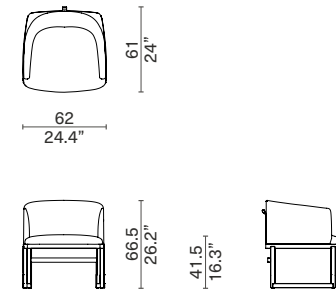
**FAIFO**

- Oak or Fir / Marble / Steel

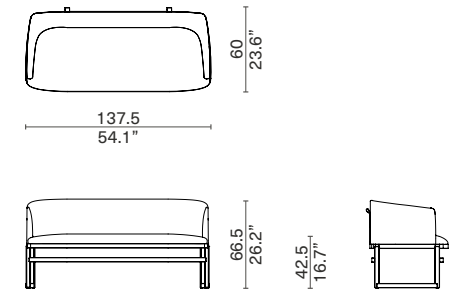
**Rectangular Dining Table - Extra Large**  
1010-RE-EXL



**Low Dining Chair**  
2022-LDWA



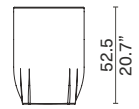
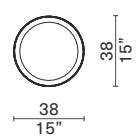
**2-Seater Sofa**  
2022-BAQE



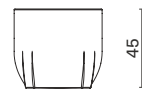
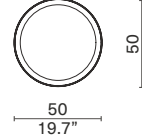
**GUI**

- Lacquer

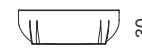
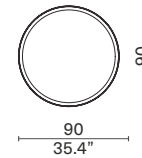
**Round Table - Small**  
1029-CI-SML



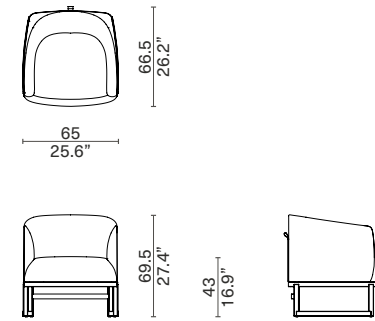
**Round Table - Medium**  
1029-CI-MED



**Round Table - Large**  
1029-CI-LAG



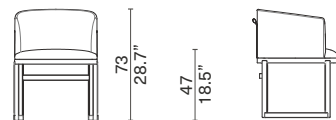
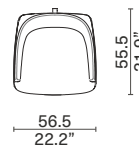
**Lounge Chair**  
2022-LGCH



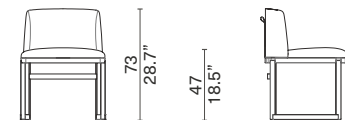
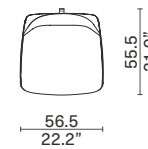
**HIDA**

- Oak frame / Upholstery /  
Leather strap

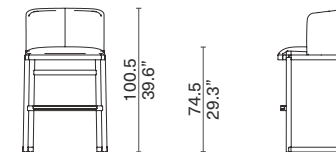
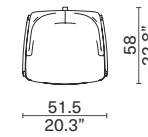
**Dining Armchair**  
2022-AMCH



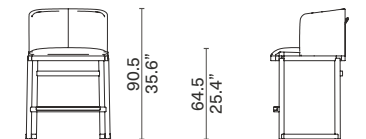
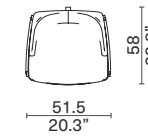
**Dining Chair**  
2022-ALES



**Bar Chair**  
2022-BACH



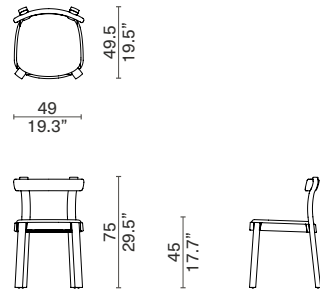
**Counter Chair**  
2022-COCH



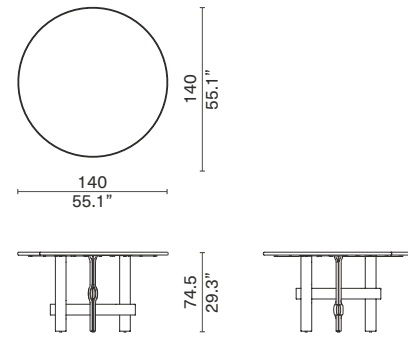
**KNOT**

- Oak
- Oak / Upholstery (chair)

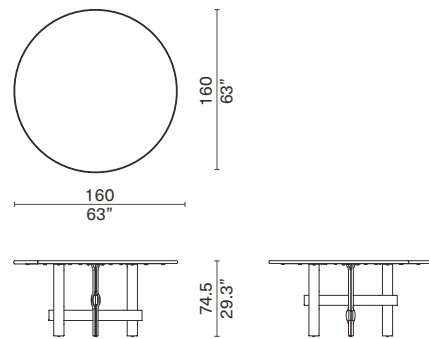
**Dining Chair**  
2026-ALES



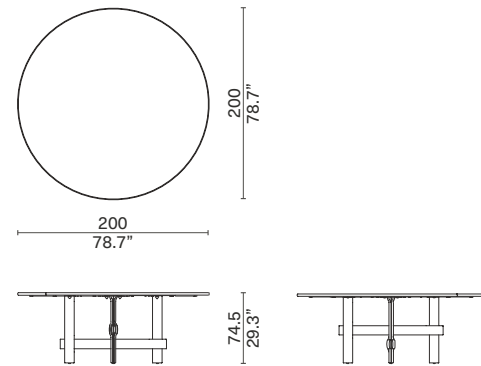
**Round Dining Table - Small**  
1016-CI-SML



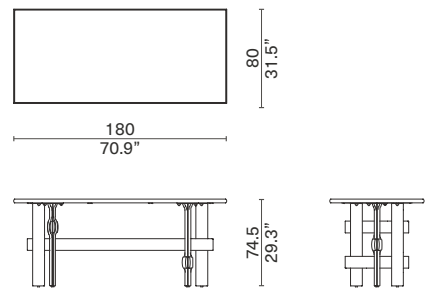
**Round Dining Table - Medium**  
1016-CI-MED



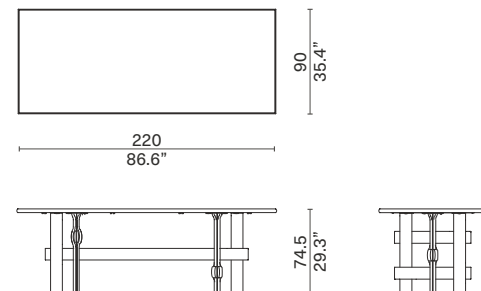
**Round Dining Table - Large**  
1016-CI-LAG



**Rectangular Dining Table - Small**  
1016-RE-SML



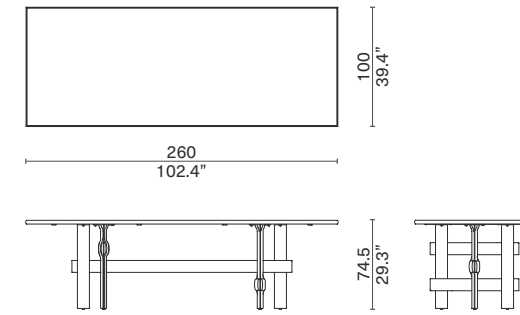
**Rectangular Dining Table - Medium**  
1016-RE-MED



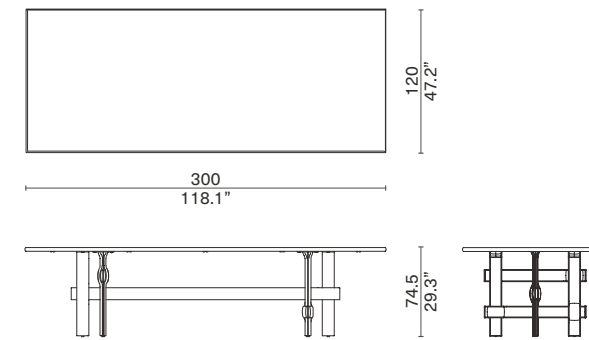
**KNOT**

- Oak

**Rectangular Dining Table - Large**  
1016-RE-LAG



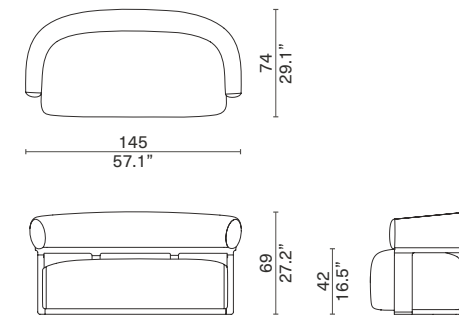
**Rectangular Dining Table - Extra Large**  
1016-RE-EXL



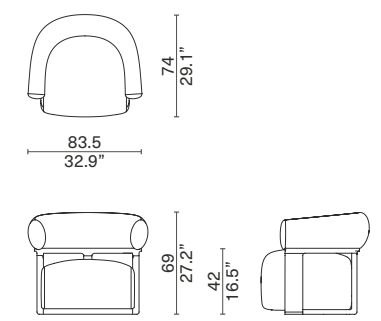
**LOLA**

- Oak frame / Upholstery

**2-Seater Sofa**  
2021-CPS2



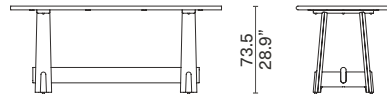
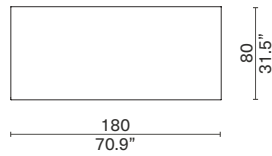
**Lounge Chair**  
2021-CPS1



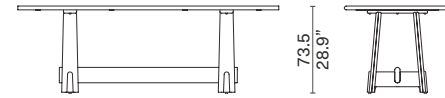
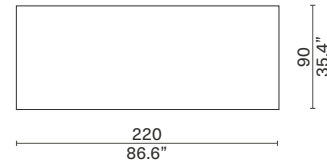
**ODETTE**

- Oak

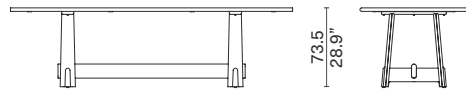
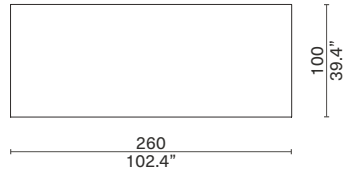
**Dining Table - Small**  
1017-RE-SML



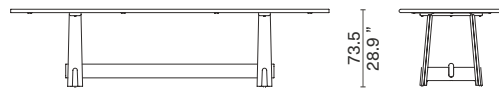
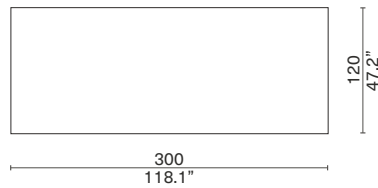
**Dining Table - Medium**  
1017-RE-MED



**Dining Table - Large**  
1017-RE-LAG



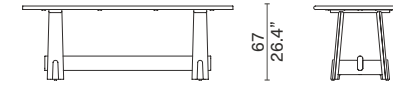
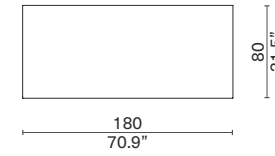
**Dining Table - Extra Large**  
1017-RE-EXL



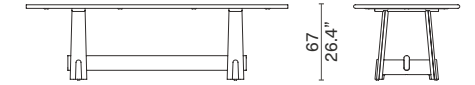
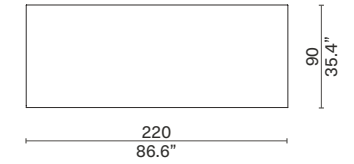
**ODETTE**

- Oak

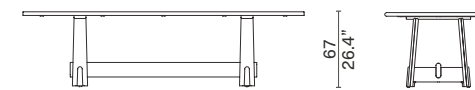
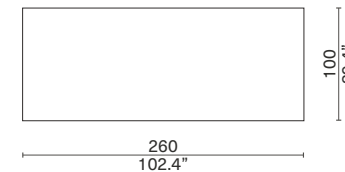
**Low Dining Table - Small**  
1017-LDTB-RE-SML



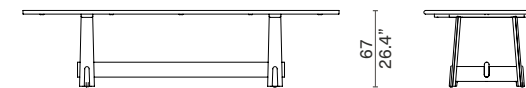
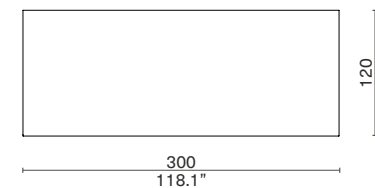
**Low Dining Table - Medium**  
1017-LDTB-RE-MED



**Low Dining Table - Large**  
1017-LDTB-RE-LAG



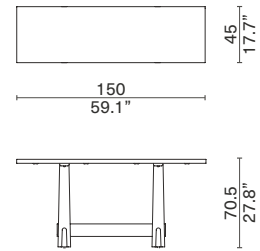
**Low Dining Table - Extra Large**  
1017-LDTB-RE-EXL



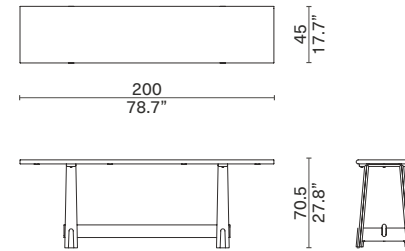
## ODETTE

- Oak

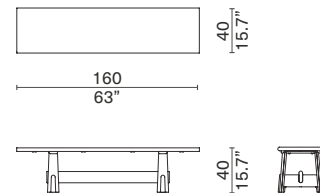
Console - Small  
1017-CONS-SML



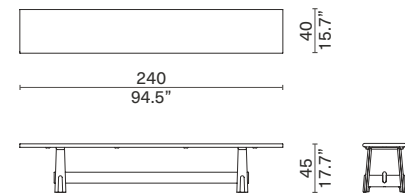
Console - Medium  
1017-CONS-MED



Bench - Small  
2023-BENC-SML



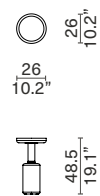
Bench - Large  
2023-BENC-LAG



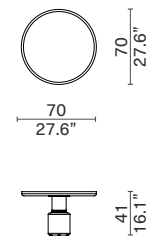
## TORUS

- Fir top / Steel Pole /  
Marble Base

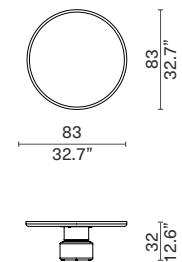
Round Table - Small  
1011-CI-SML



Round Table - Medium  
1011-CI-MED



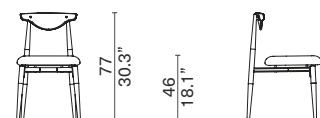
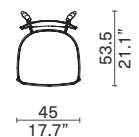
Round Table - Large  
1011-CI-LAG



## VICUNA

- Oak / Upholstered seat /  
Blackened Steel

Dining Chair  
2014



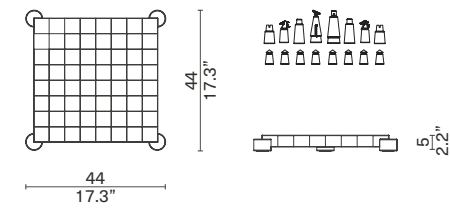
## CHESS SET

- Chess board: Smoked oak  
& ash wood / blackened  
steel legs

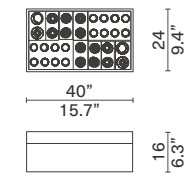
- Chess pieces: Aluminium  
with antique brass /  
Blackened

- Container box: Oak & Pine

Chess Board  
4004



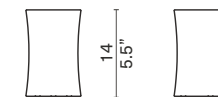
Container Box



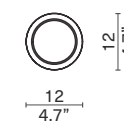
## PIPE

- Lacquerware

Pipe - Medium  
5005-MED



Pipe - Large  
5005-LAG



**HEADQUARTERS**

TĐX Ice Factory, 19/45 Tran Dinh Xu, Cau Kho Ward,  
District 1, Ho Chi Minh City, Vietnam

**DISTRICT EIGHT NORTH AMERICA**

313 Space  
2F, Space #213, 313 South Centennial Str.,  
High Point, North Carolina

**DISTRICT EIGHT ITALIA S.R.L**

Via Giovanni Falcone n.7  
62029 Tolentino (MC) Italy

Sales, projects, and support:

info@districteight.com

(+84) 936 354 846 | (+39) 335 610 0055

www.districteight.com

Images credit:

P.03 - Sergey Sukhov / P.03 - Dave Weatherall / P.99  
- Lily Tran / P.147 - Degaharu Tekouha / P.163 - Max  
Do / P.179 - Vhil Destor / P.204 - Harry Doan



CONTACT US



WEBSITE



MATERIAL INDEX

DISPATCH



Vol.01



Vol.02



Vol.03



