

UPSCALE

LIVE THE KITCHEN EVOLUTION
PRICE LIST JUNE 2025

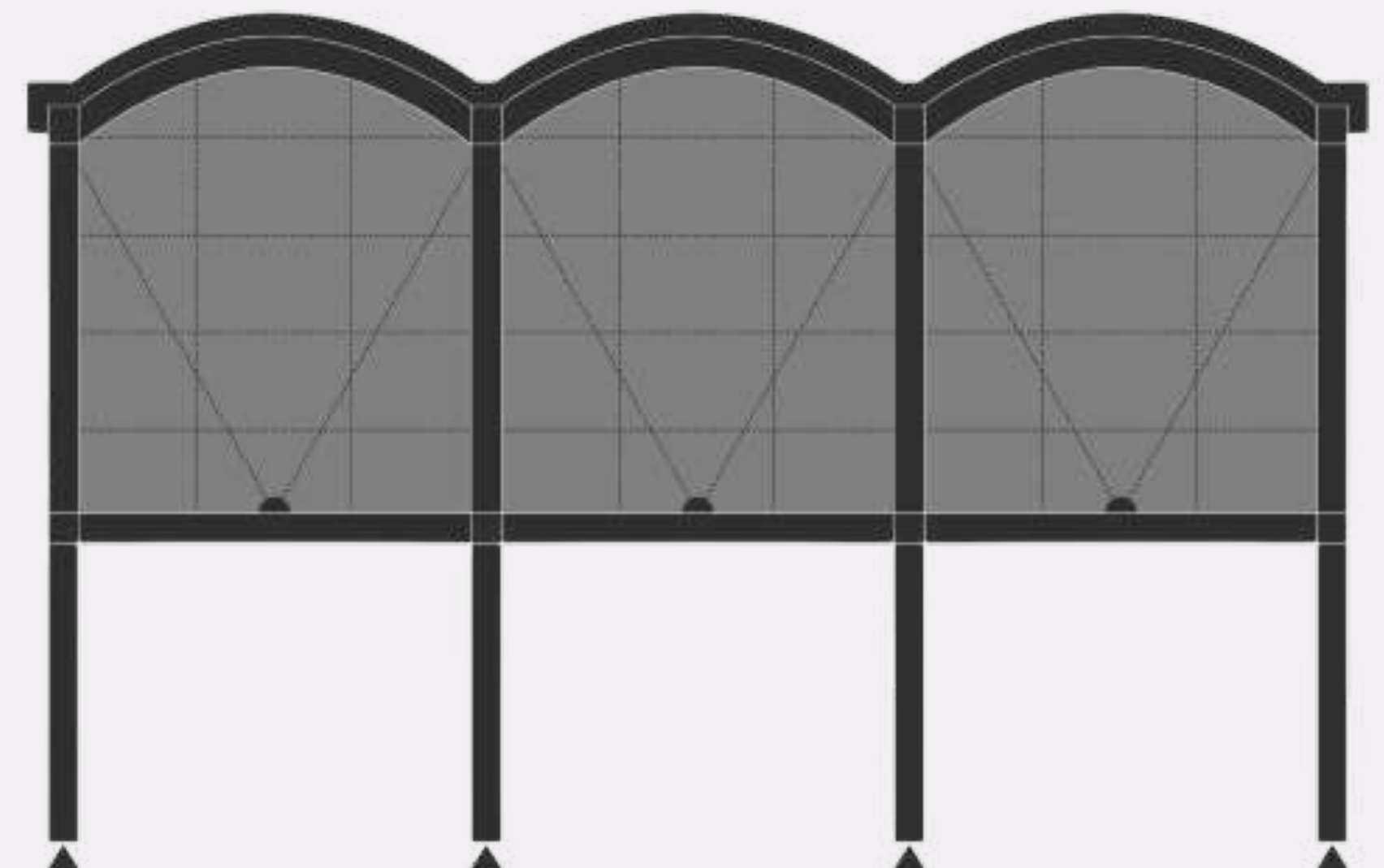
HCMC: The Galleria, Metropole, B1.21, Thu Thiem,
Hanoi: R1A Royal City, 72A Nguyen Tai Street, Nhan
Chinh, Thanh Xuan
Contact: +84 986 914 161
Email: info@upscale.vn
Website: www.upscale.vn

Italy:
Via Roma 108, Edificio CD1,
Cassina de Pecchi, 20060, Milan
Contact: +390200703357



INDEX

1. Built In Appliances: [CLICK HERE](#)
2. Built in Refrigerator & Dishwasher: [CLICK HERE](#)
3. Induction Cooktop: [CLICK HERE](#)
4. Cooker Hood: [CLICK HERE](#)
5. Sinks: [CLICK HERE](#)
6. Water Mixers & Taps: [CLICK HERE](#)
7. Semi Professional (Custom): [CLICK HERE](#)
8. Outdoor: [CLICK HERE](#)
9. Accessories: [CLICK HERE](#)



Upscale's Creative Stance

At Upscale, we take a stand against convention and usher in a new era of luxury design by combining technology and personalisation.

We work with Europe's leading manufacturers to provide pioneering cooking solutions that revolutionize the experience of the kitchen.

Innovation and artistry are at the forefront of all we do. We blend immaculate designs with unmatched quality material and cutting-edge technology to set the benchmark for convenience and luxury in modern living spaces.

Discover a world of indulgence and style, with our exclusive line of kitchen appliances and cutting-edge design products, catered by our innovative design hub in Italy.



velacucina

BARAZZA *adriano design*[®]

THRILL[®]

Selling price excludes VAT.
Prices might change without prior notice.
All products in this price list are made in Italy, except
where mentioned otherwise.

BUILT IN APPLIANCES -
THIẾT BỊ BẾP

UPSCALE

ICON SERIES
GLASS COLLECTION



BARAZZA

Zefiro
Sanification
System

With an illustrious 50-year legacy in crafting premium, high-quality appliances, Barazza proudly introduces a groundbreaking innovation – the world's first system featuring Zefiro technology. The Zefiro system transforms the oven into a real air sanitizer, capable of improving the quality of life inside the rooms of the house by performing a complete set of functions:

It purifies the air from viruses and bacteria, sanitizing the rooms and making them safer.

- It helps to remove bad smells from the kitchen environment, being able to work simultaneously with the hood, speeding up operations
- Although efficient and important, this process does not consume significant energy.

This feat is achieved through the implementation of UV-C LED technology, a remarkably effective and energy-efficient solution. Experience a new era of sophistication and functionality with Barazza's unparalleled commitment to excellence.

[Click Here To Learn More](#)



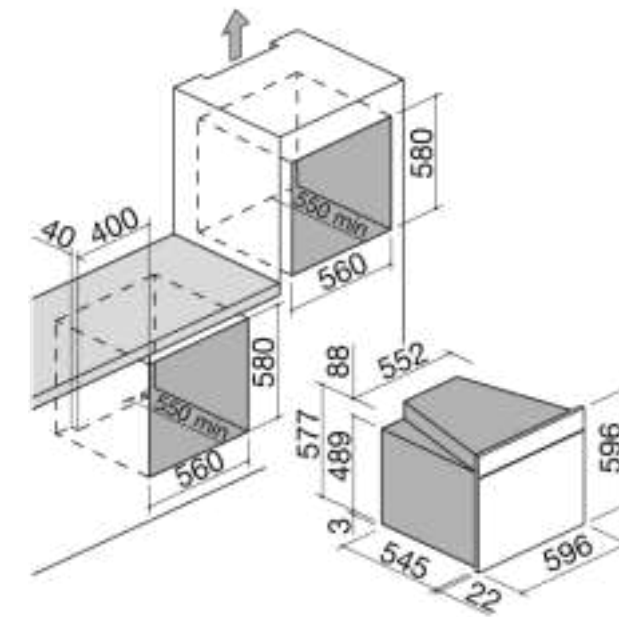
Zefiro

BARAZZA - ICON BASIC GLASS

60 CM BUILT IN OVEN - 1FIOGP

Description

- 08 manual functions + Rapid Defrost
- Maximum temperature: 270 °C
- Capacity: 65 litres
- Electronic Digital Start Programmer + knobs
- Features: front controls, knobs and handle in Soft-Touch finish, Easy Clean oven interior, extractable and removable door with triple heat-reflecting glass, Soft-Close hinges, tangential cooling fan, drop-down grill, 2 internal lights, side racks
- Equipment: 1 deep Easy Clean enamelled steel tray, 1 Easy Clean enamelled steel tray, 1 steel rack, 2 pairs of telescopic oven rails
- Safety devices: safety switch-off
- Maximum absorbed power: 2.7 kW
- **5 Years Warranty**
- **Designed & Manufactured In Italy**



UPSCALE



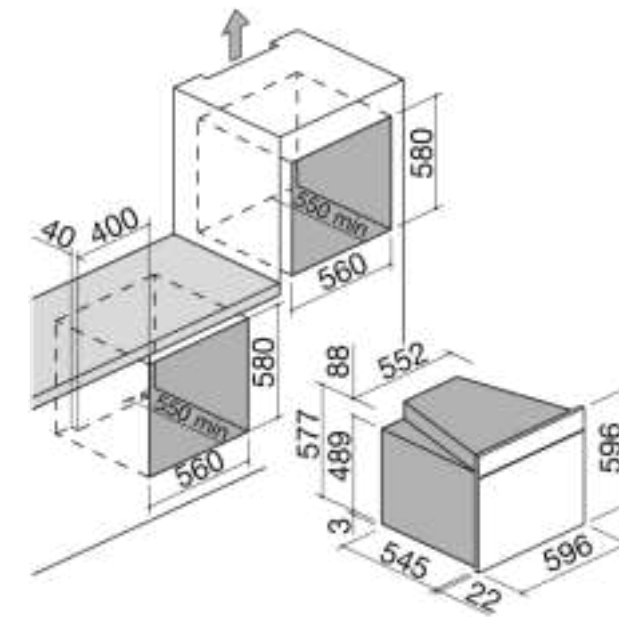
Price Excluding VAT: 42,500,000 VND

BARAZZA - ICON ADVANCE

60 CM BUILT IN OVEN - 1FEVGP

Description

- Zefiro sanitification system
- 11 manual functions
- 16 automatic cooking programs
- 30 customizable cooking programs
- Veggy mode
- Maximum temperature: 250 °C
- Capacity: 65 litres
- Multilingual digital Touch Control programmer + knobs
- Features: front controls, knobs and handle in Soft-Touch finish, Easy Clean oven interior, extractable and removable door with triple heat-reflecting glass, Soft-Close hinges, tangential cooling fan, drop-down grill, 2 internal lights, side racks
- Equipment: 1 deep Easy Clean enamelled steel tray, 1 Easy Clean enamelled steel tray, 1 steel rack, 2 pairs of telescopic oven rails
- Safety devices: safety switch-off, child-safety function
- Maximum absorbed power: 2.7 kW
- **5 Years Warranty**
- **Designed & Manufactured In Italy**



UPSCALE



Price Excluding VAT: 57,500,000 VND

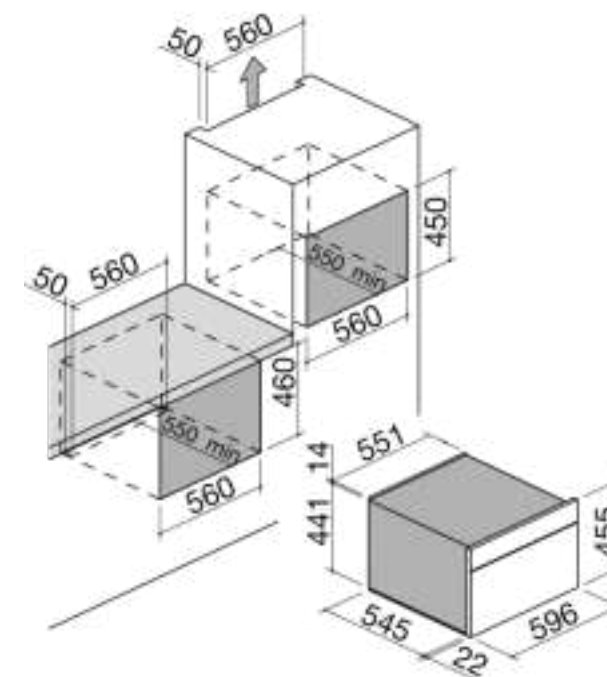
BARAZZA - ICON SERIES

COMBI - MICROWAVE OVEN - 1FEVGMC

UPSCALE

Description

- 17 manual functions
- 20 automatic cooking programs
- Veggy mode
- Microwave functions up to 1000W
- Maximum temperature: 250 °C
- Capacity: 40 litres
- Multilingual digital Touch Control programmer + knobs
- Features: front controls, knobs and handle in Soft-Touch finish, Easy Clean oven interior, extractable and removable door with triple heat-reflecting glass, Soft-Close hinges, tangential cooling fan, internal light, side racks
- Equipment: 1 Pyrex baking tray, 1 steel rack
- Safety devices: child-safety function
- Maximum absorbed power: 3.5 kW
- **5 Years Warranty**
- **Designed in Italy, Manufactured In Spain**



Price Excluding VAT: 68,500,000 VND

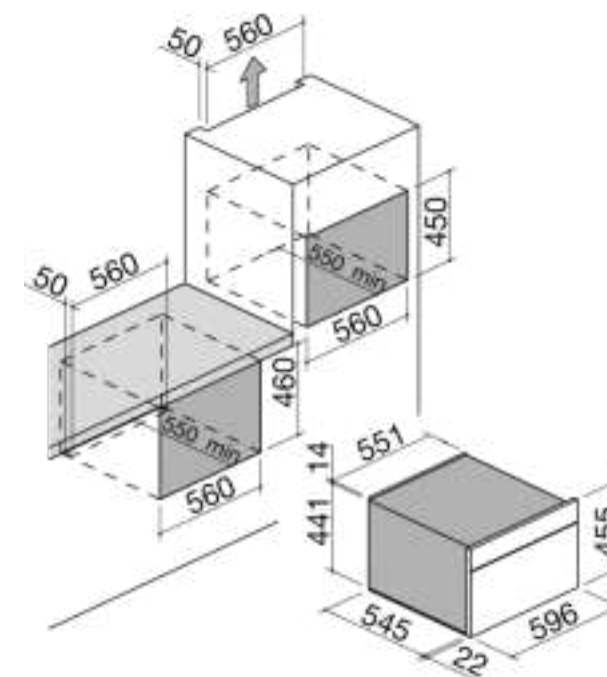
BARAZZA - ICON SERIES

COMBI - STEAM OVEN - 1FEVGVVC

Description

- 18 manual functions
- 30 automatic cooking programs
- Veggy mode
- Maximum temperature: 250 °C
- In steam mode progressive adjustment from 35 to 100 °
- Capacity: 40 litres
- Multilingual digital Touch Control programmer + knobs
- Features: front controls, knobs and handle in Soft-Touch finish, Easy Clean oven interior, extractable and removable door with quadruple heat-reflecting glass, Soft-Close hinges, tangential cooling fan, internal light, side racks, 0.8 l water tank accessible also during cooking
- Equipment: 1 deep Easy Clean enamelled steel tray, 1 deep steel perforated tray, 1 steel rack, temperature probe
- Safety devices: child-safety function
- Maximum absorbed power: 3 kW
- **5 Years Warranty**
- **Designed in Italy, Manufactured In Spain**

Price Excluding VAT: 78,500,000 VND



UPSCALE



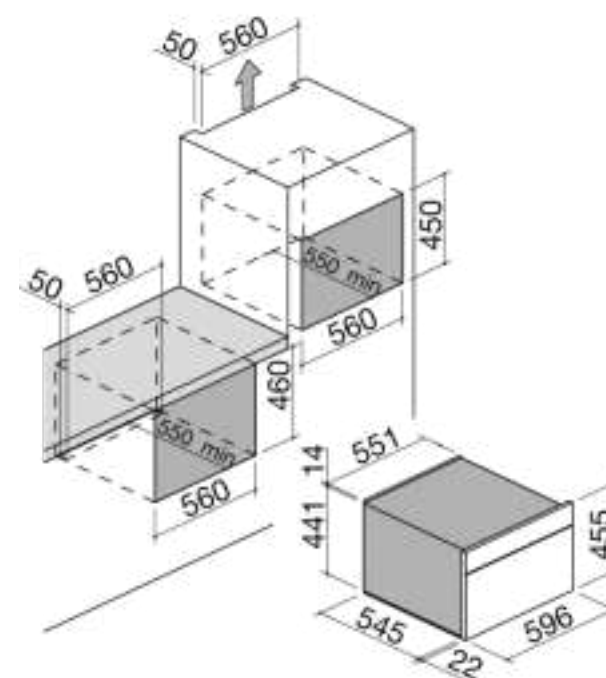
BARAZZA - ICON SERIES

COFFEE MACHINE - 1CFEVG

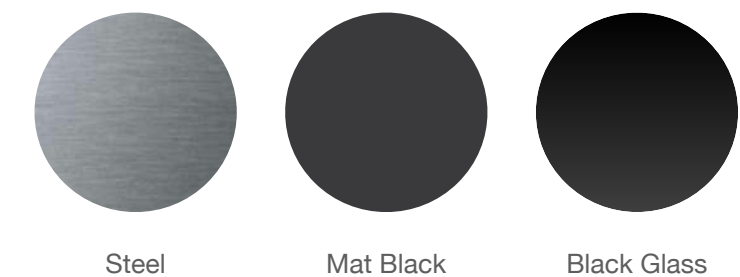
Description

- Glass Profiling
- Digital Programmer
- 5 Coffee Strength Levels (Extra Light, Light, Normal, Strong, Extra Strong)
- 3 Levels of Coffee Quantity.
- Single or Double Cup
- Steam Delivery for Cappuccino and Hot Water
- Automatic Rinse Function
- Possibility to use Pre-ground Coffee
- Soft Touch Finish
- LED Lighting
- Telescopic Guides
- Display Signaling: No Water, No Coffee, Grounds Presence, Descaling Warning, Grinding And Dosage Level Warnings
- 220g Bean Container
- 1.8 L Removable Water Tank
- 15 Bar Pressure
- Maximum 1.35 kW Power
- 60 x 45 cm
- **5 Years Warranty**
- **Designed & Manufactured In Italy**

Price Excluding VAT: 88,500,000 VND



UPSCALE

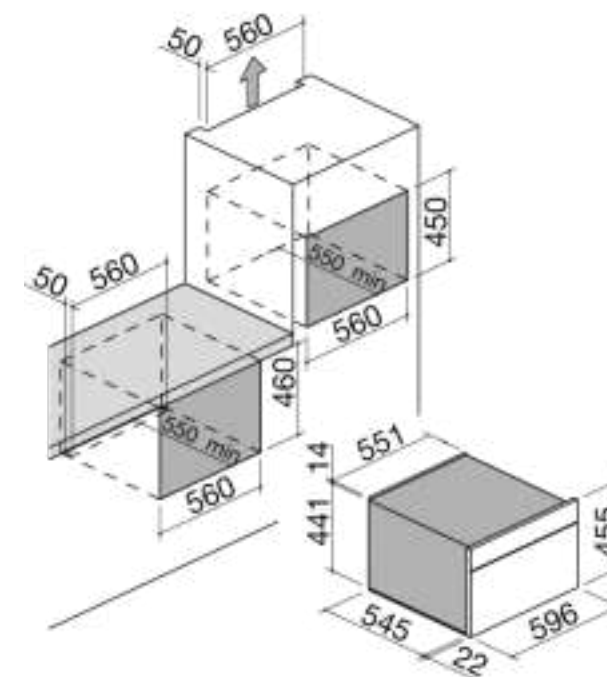


BARAZZA - ICON SERIES BLAST CHILLER - TABEVG

Description

- Glass Profiling
- Digital Programmer
- 7 cold functions
- 4 hot functions
- Minimum temperature: -30 °C
- Maximum temperature: 75 °C
- Capacity: 40 litres
- Interactive and multilingual Touch Screen
- Front controls and handle
- Soft-Touch finish
- Steel interior cavity
- LED internal lights
- Side racks
- Equipment: 2 steel racks, temperature probe
- Maximum absorbed power: 0.3 kW
- 60 x 45 cm
- **5 Years Warranty**
- **Designed & Manufactured In Italy**

Price Excluding VAT: 143,500,000 VND



UPSCALE



BARAZZA - ICON SERIES

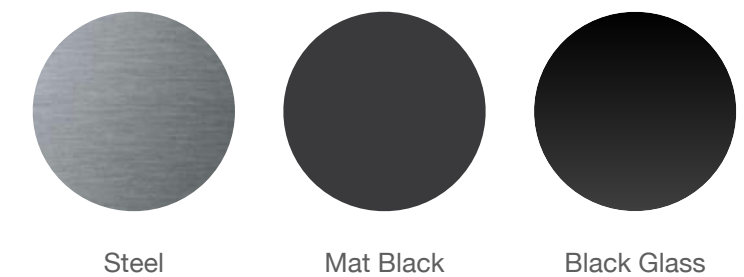
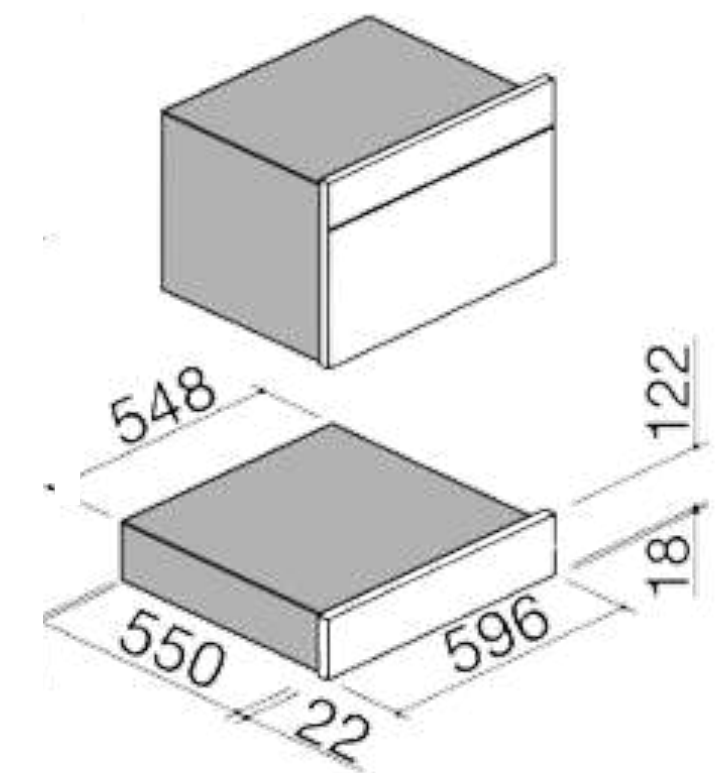
BUILT IN WARMING DRAWER - 1CEEVG

Description

- Preheating of plates, dishes and coffee cups
- Food Warmer
- Defrost
- Leavening
- Adjustable temperature from 30 to 70 °C
- Smooth internal glass surface with non-slip mat
- Telescopic rails,
- Push-pull opening
- Operating light
- Maximum absorbed power: 0.4 kW
- **5 Years Warranty**
- **Designed & Manufactured In Italy**

Price Excluding VAT: 28,000,000 VND

UPSCALE



BARAZZA - ICON SERIES

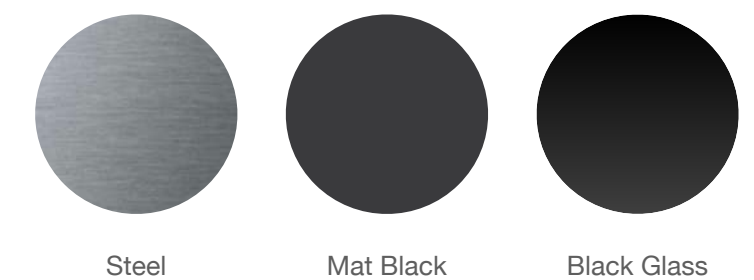
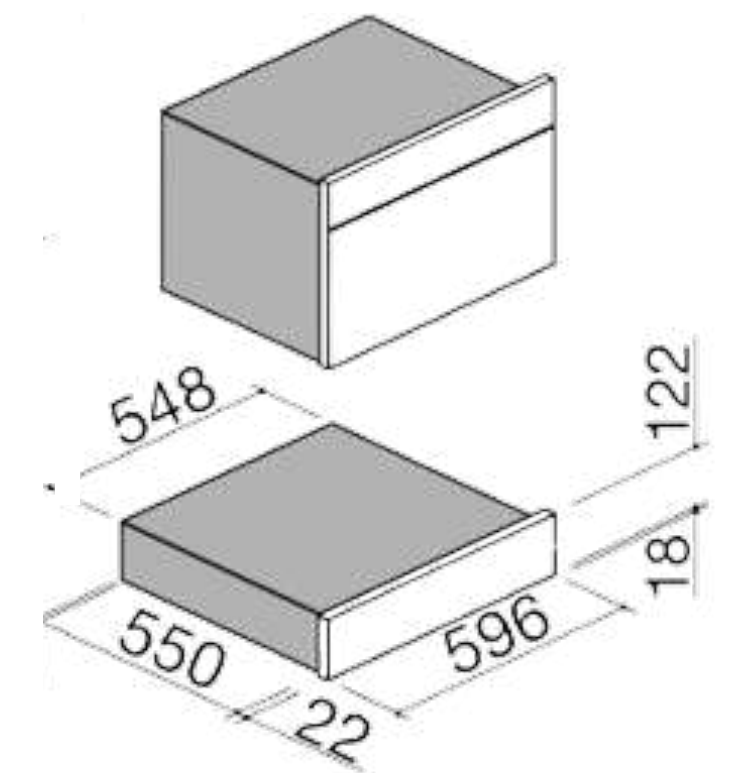
BUILT IN VACUUM DRAWER - 1CSEVG

Description

- Glass Profiling
- Digital Touch Control Programmer
- 3 Level Vacuum Sealed Bag
- 3 Level Sealing
- 3 Level Vacuum Sealed Container
- Chef Function For Marinating
- Maturation
- Cold Infusions
- Extraction of Essential Oils
- Oil Pump Motor
- Tempered Glass Lid
- Steel Tank with Stainless Steel Interior
- Push-Pull Opening
- Kit for 50 bags for Storage and 50 Bags for Cooking
- Telescopic Guides
- Maximum Power Absorbed: 0.24KW
- **5 Years Warranty**
- **Designed & Manufactured In Italy**

Price Excluding VAT: 86,500,000 VND

UPSCALE



UPSCALE

ICON SERIES
STEEL COLLECTION

UPSCALE



BARAZZA

ICON SERIES

UPSCALE

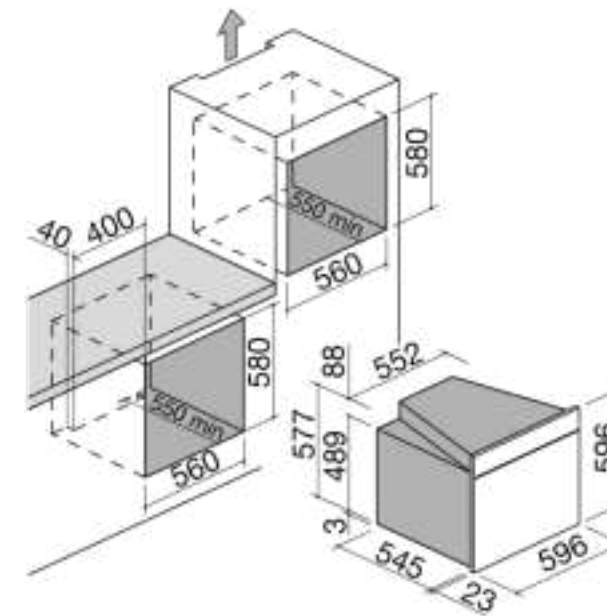


BARAZZA - ICON BASIC STEEL

60 CM BUILT IN OVEN - 1FIOSP

Description

- 08 manual functions + Rapid Defrost
- Maximum temperature: 270 °C
- Capacity: 65 litres
- Electronic Digital Start Programmer + knobs
- Features: front controls, knobs and handle in Soft-Touch finish, Easy Clean oven interior, extractable and removable door with triple heat-reflecting glass, Soft-Close hinges, tangential cooling fan, drop-down grill, 2 internal lights, side racks
- Equipment: 1 deep Easy Clean enamelled steel tray, 1 Easy Clean enamelled steel tray, 1 steel rack, 2 pairs of telescopic oven rails
- Safety devices: safety switch-off
- Maximum absorbed power: 2.7 kW
- **5 Years Warranty**
- **Designed & Manufactured In Italy**



UPSCALE



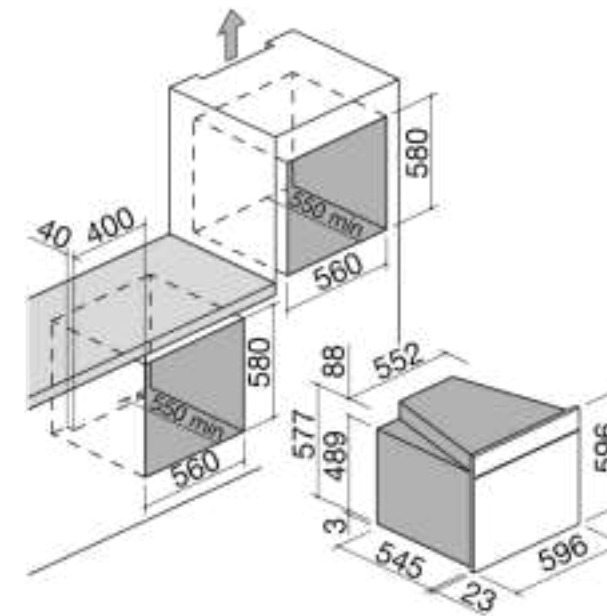
Price Excluding VAT: 45,000,000 VND

BARAZZA - ICON ADVANCE

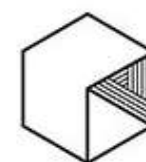
60 CM MULTIFUNCTION BUILT IN OVEN - 1FEVSP

Description

- Zefiro sanitification system
- 11 manual functions
- 16 automatic cooking programs
- 30 customizable cooking programs
- Veggy mode
- maximum temperature: 250 °C
- Capacity: 65 litres
- Multilingual digital Touch Control programmer + knobs
- Features: front controls, knobs and handle in Soft-Touch finish, Easy Clean oven interior, extractable and removable door with triple heat-reflecting glass, Soft-Close hinges, tangential cooling fan, drop-down grill, 2 internal lights, side racks
- Equipment: 1 deep Easy Clean enamelled steel tray, 1 Easy Clean enamelled steel tray, 1 steel rack, 2 pairs of telescopic oven rails
- Safety devices: safety switch-off, child-safety function
- Maximum absorbed power: 2.7 kW
- **5 Years Warranty**
- **Designed & Manufactured In Italy**



UPSCALE



archiproducts
DESIGN AWARDS

2022

WINNER

Price Excluding VAT: 60,000,000 VND

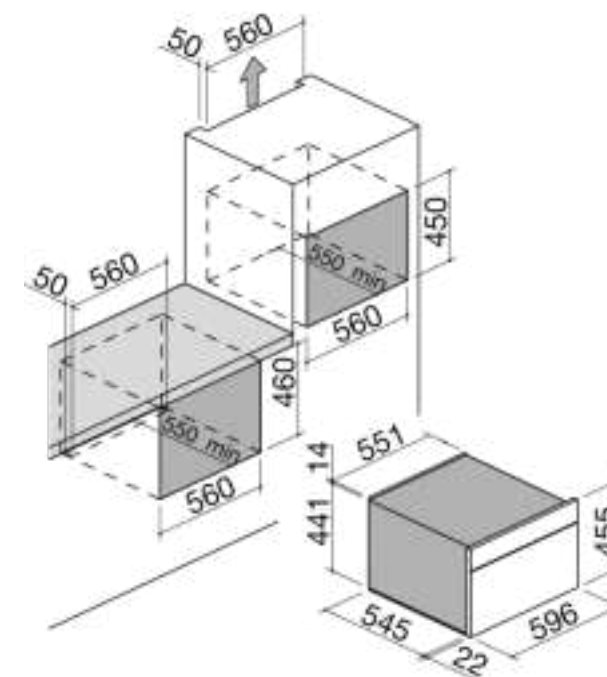
BARAZZA - ICON SERIES

COMBI - MICROWAVE OVEN - 1FEVSMC

Description

- 17 manual functions
- 20 automatic cooking programs
- Veggy mode
- Microwave functions up to 1000W
- Maximum temperature: 250 °C
- Capacity: 40 litres
- Multilingual digital Touch Control programmer + knobs
- Features: front controls, knobs and handle in Soft-Touch finish, Easy Clean oven interior, extractable and removable door with triple heat-reflecting glass, Soft-Close hinges, tangential cooling fan, internal light, side racks
- Equipment: 1 Pyrex baking tray, 1 steel rack
- Safety devices: child-safety function
- Maximum absorbed power: 3.5 kW
- **5 Years Warranty**
- **Designed in Italy, Manufactured In Spain**

Price Excluding VAT: 72,500,000 VND



UPSCALE



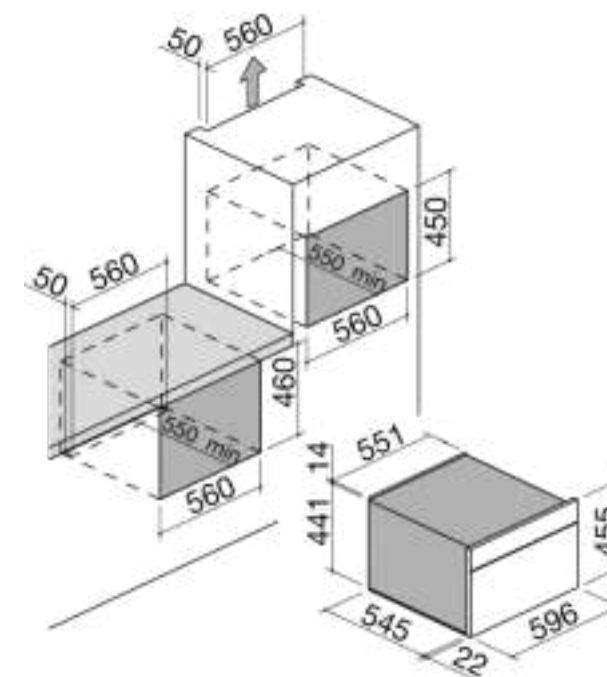
BARAZZA - ICON SERIES

COMBI - STEAM OVEN - 1FEVSVC

Description

- 18 manual functions
- 30 automatic cooking programs
- Veggie mode
- Maximum temperature: 250 °C
- In steam mode progressive adjustment from 35 to 100 °
- Capacity: 40 litres
- Multilingual digital Touch Control programmer + knobs
- Features: front controls, knobs and handle in Soft-Touch finish, Easy Clean oven interior, extractable and removable door with quadruple heat-reflecting glass, Soft-Close hinges, tangential cooling fan, internal light, side racks, 0.8 l water tank accessible also during cooking
- Equipment: 1 deep Easy Clean enamelled steel tray, 1 deep steel perforated tray, 1 steel rack, temperature probe
- Safety devices: child-safety function
- Maximum absorbed power: 3 kW
- **5 Years Warranty**
- **Designed in Italy, Manufactured In Spain**

Price Excluding VAT: 82,500,000 VND



UPSCALE



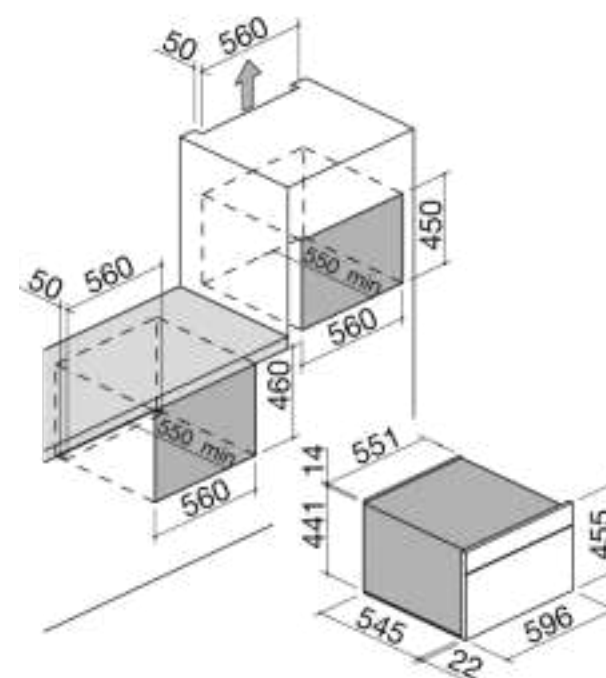
BARAZZA - ICON SERIES

COFFEE MACHINE - 1CFEVS

Description

- Full Body Inox
- Digital Programmer
- 5 Coffee Strength Levels (Extra Light, Light, Normal, Strong, Extra Strong)
- 3 Levels of Coffee Quantity.
- Single or Double Cup
- Steam Delivery for Cappuccino and Hot Water
- Automatic Rinse Function
- Possibility to use Pre-ground Coffee
- Soft Touch Finish
- LED Lighting
- Telescopic Guides
- Display Signaling: No Water, No Coffee, Grounds Presence, Descaling Warning, Grinding And Dosage Level Warnings
- 220g Bean Container
- 1.8 L Removable Water Tank
- 15 Bar Pressure
- Maximum 1.35 kW Power
- 60 x 45 cm
- **5 Years Warranty**
- **Designed & Manufactured In Italy**

Price Excluding VAT: 93,500,000 VND



UPSCALE

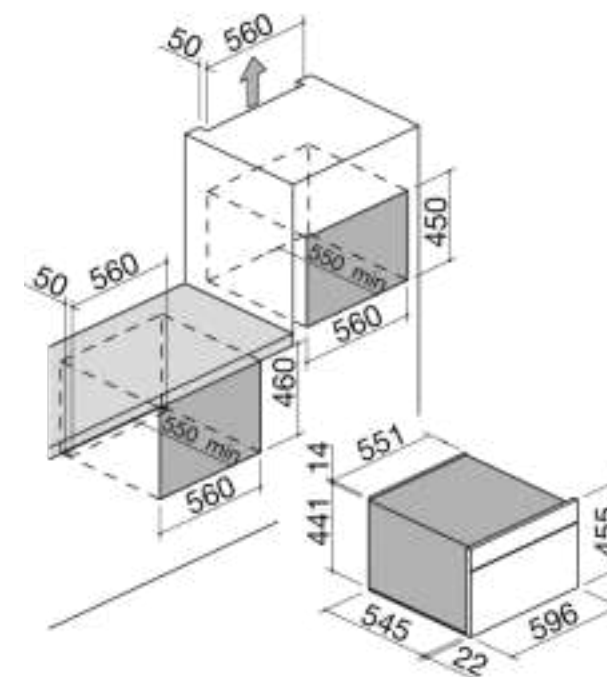


BARAZZA - ICON SERIES

BLAST CHILLER- TABLETS

Description

- Full Body Inox
- Digital Programmer
- 7 cold functions
- 4 hot functions
- Minimum temperature: -30 °C
- Maximum temperature: 75 °C
- Capacity: 40 litres
- Interactive and multilingual Touch Screen
- Front controls and handle
- Soft-Touch finish
- Steel interior cavity
- LED internal lights
- Side racks
- Equipment: 2 steel racks, temperature probe
- Maximum absorbed power: 0.3 kW
- 60 x 45 cm
- **5 Years Warranty**
- **Designed & Manufactured In Italy**



UPSCALE



Price Excluding VAT: 148,500,000 VND

BARAZZA - ICON SERIES

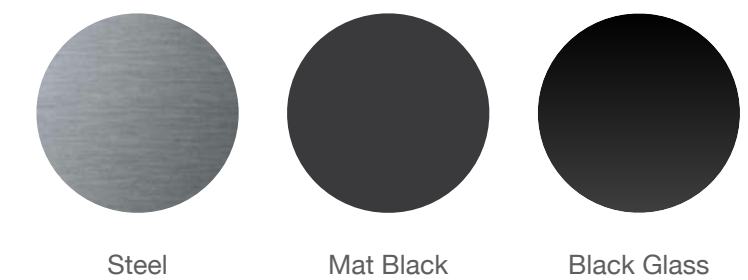
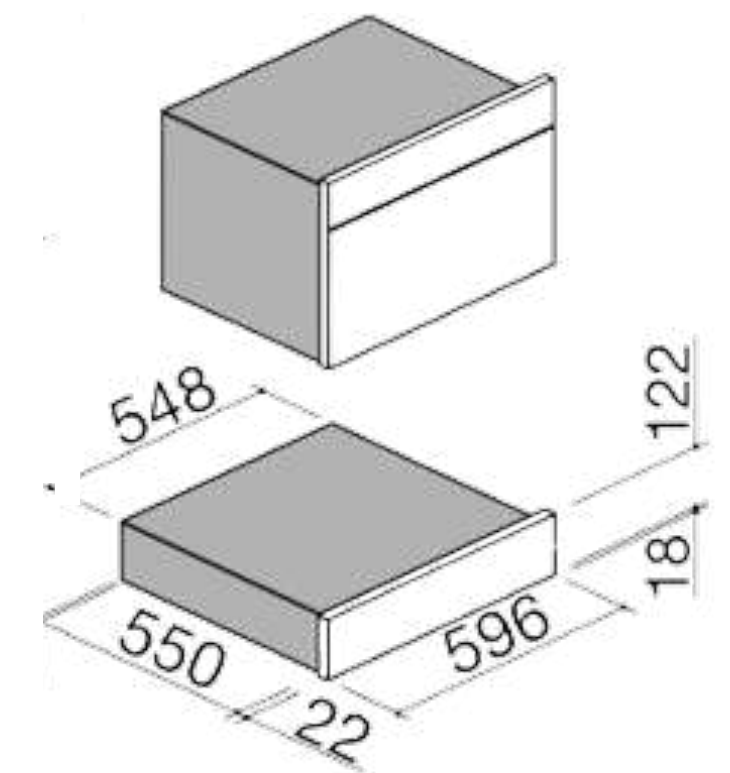
BUILT IN WARMING DRAWER - 1CEEVS

Description

- Preheating of plates, dishes and coffee cups
- Food Warmer
- Defrost
- Leavening
- Adjustable temperature from 30 to 70 °C
- Smooth internal glass surface with non-slip mat
- Telescopic rails,
- Push-pull opening
- Operating light
- Maximum absorbed power: 0.4 kW
- **5 Years Warranty**
- **Designed & Manufactured In Italy**

Price Excluding VAT: 29,500,000 VND

UPSCALE



BARAZZA - ICON SERIES

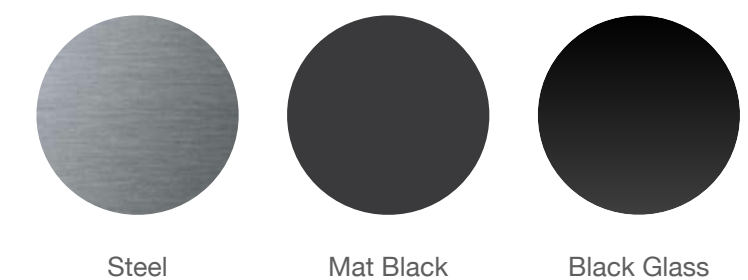
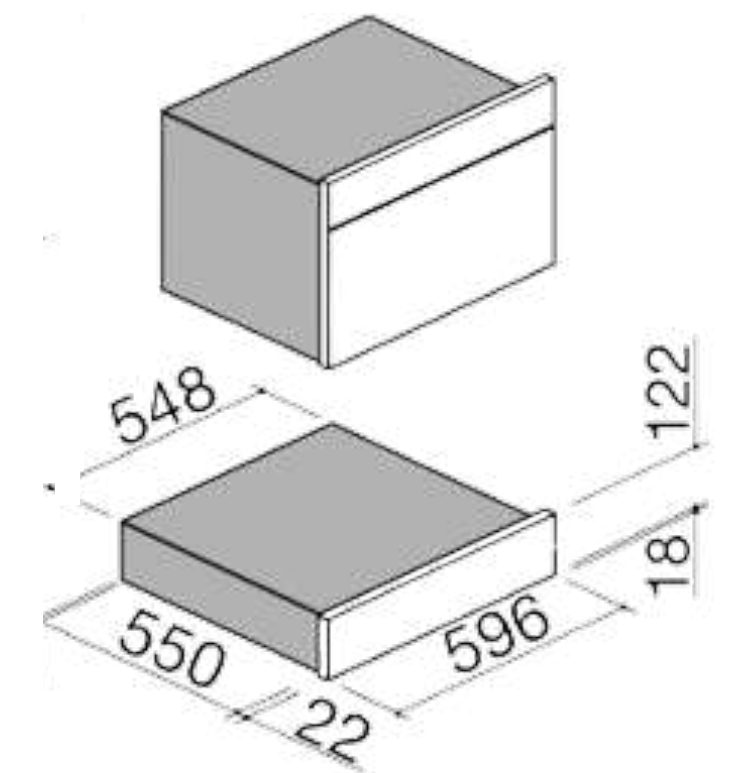
BUILT IN VACUUM DRAWER - 1CSEVS

Description

- Full Body Inox
- Digital Touch Control Programmer
- 3 Level Vacuum Sealed Bag
- 3 Level Sealing
- 3 Level Vacuum Sealed Container
- Chef Function For Marinating
- Maturation
- Cold Infusions
- Extraction of Essential Oils
- Oil Pump Motor
- Tempered Glass Lid
- Steel Tank with Stainless Steel Interior
- Push-Pull Opening
- Kit for 50 bags for Storage and 50 Bags for Cooking
- Telescopic Guides
- Maximum Power Absorbed: 0.24KW
- **5 Years Warranty**
- **Designed & Manufactured In Italy**

Price Excluding VAT: 88,500,000 VND

UPSCALE



UPSCALE

ICON SERIES
EXCLUSIVE MATT COLLECTION

UPSCALE

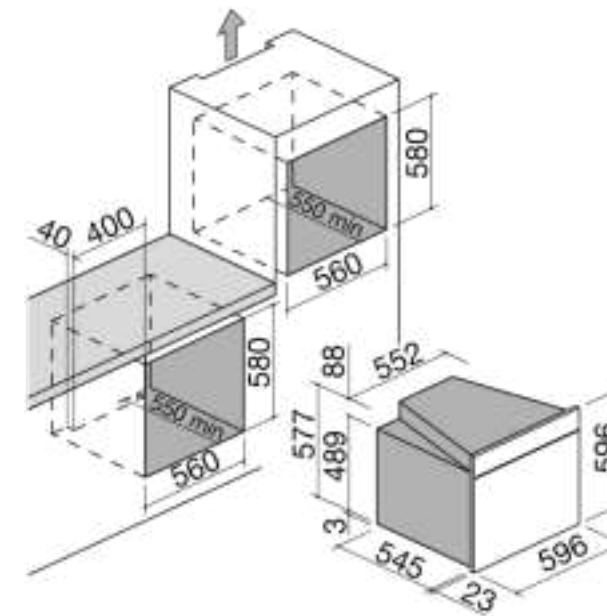


BARAZZA - ICON BASIC - EXCLUSIVE BLACK MATT

60 CM BUILT IN OVEN - 1F10EPN

Description

- 08 manual functions + Rapid Defrost
- Maximum temperature: 270 °C
- Capacity: 65 litres
- Electronic Digital Start Programmer + knobs
- Features: front controls, knobs and handle in Soft-Touch finish, Easy Clean oven interior, extractable and removable door with triple heat-reflecting glass, Soft-Close hinges, tangential cooling fan, drop-down grill, 2 internal lights, side racks
- Equipment: 1 deep Easy Clean enamelled steel tray, 1 Easy Clean enamelled steel tray, 1 steel rack, 2 pairs of telescopic oven rails
- Safety devices: safety switch-off
- Maximum absorbed power: 2.7 kW
- **5 Years Warranty**
- **Designed & Manufactured In Italy**



UPSCALE



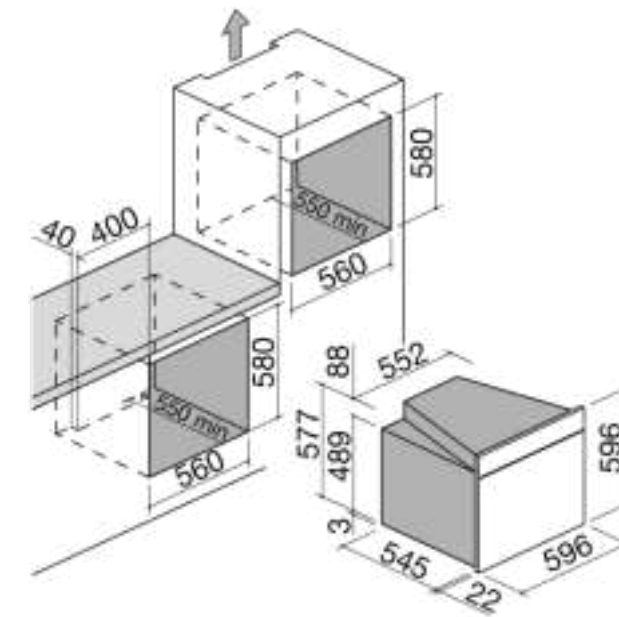
Price Excluding VAT: 50,000,000 VND

BARAZZA - ICON ADVANCE - EXCLUSIVE BLACK MATT

60 CM BUILT IN OVEN - 1FEVEPN

Description

- Zefiro sanitification system
- 11 manual functions
- 16 automatic cooking programs
- 30 customizable cooking programs
- Veggy mode
- maximum temperature: 250 °C
- Capacity: 65 litres
- Multilingual digital Touch Control programmer + knobs
- Features: front controls, knobs and handle in Soft-Touch finish, Easy Clean oven interior, extractable and removable door with triple heat-reflecting glass, Soft-Close hinges, tangential cooling fan, drop-down grill, 2 internal lights, side racks
- Equipment: 1 deep Easy Clean enamelled steel tray, 1 Easy Clean enamelled steel tray, 1 steel rack, 2 pairs of telescopic oven rails
- Safety devices: safety switch-off, child-safety function
- Maximum absorbed power: 2.7 kW
- **5 Years Warranty**
- **Designed & Manufactured In Italy**



UPSCALE



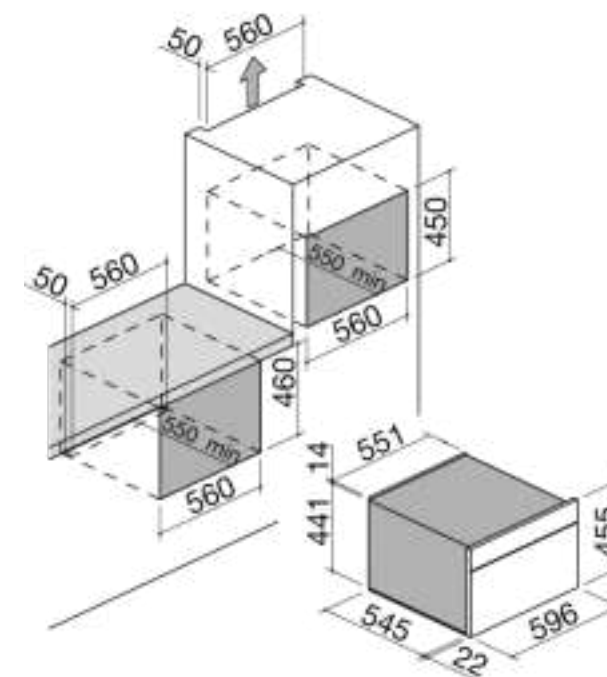
Price Excluding VAT: 65,000,000 VND

BARAZZA - ICON SERIES -EXCLUSIVE BLACK MATT COMBI - MICROWAVE OVEN - 1FEVEMCN

UPSCALE

Description

- 17 manual functions
- 20 automatic cooking programs
- Veggy mode
- Microwave functions up to 1000W
- Maximum temperature: 250 °C
- Capacity: 40 litres
- Multilingual digital Touch Control programmer + knobs
- Features: front controls, knobs and handle in Soft-Touch finish, Easy Clean oven interior, extractable and removable door with triple heat-reflecting glass, Soft-Close hinges, tangential cooling fan, internal light, side racks
- Equipment: 1 Pyrex baking tray, 1 steel rack
- Safety devices: child-safety function
- Maximum absorbed power: 3.5 kW
- **5 Years Warranty**
- **Designed in Italy, Manufactured In Spain**



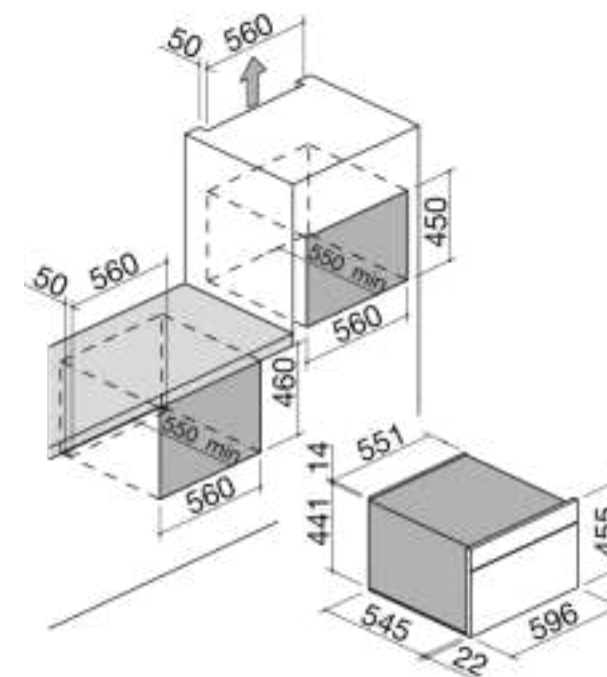
Price Excluding VAT: 72,500,000 VND

BARAZZA - ICON SERIES - EXCLUSIVE BLACK MATT COMBI - STEAM OVEN - 1FEVEVCN

UPSCALE

Description

- 18 manual functions
- 30 automatic cooking programs
- Veggy mode
- Maximum temperature: 250 °C
- In steam mode progressive adjustment from 35 to 100 °
- Capacity: 40 litres
- Multilingual digital Touch Control programmer + knobs
- Features: front controls, knobs and handle in Soft-Touch finish, Easy Clean oven interior, extractable and removable door with quadruple heat-reflecting glass, Soft-Close hinges, tangential cooling fan, internal light, side racks, 0.8 l water tank accessible also during cooking
- Equipment: 1 deep Easy Clean enamelled steel tray, 1 deep steel perforated tray, 1 steel rack, temperature probe
- Safety devices: child-safety function
- Maximum absorbed power: 3 kW
- **5 Years Warranty**
- **Designed in Italy, Manufactured In Spain**



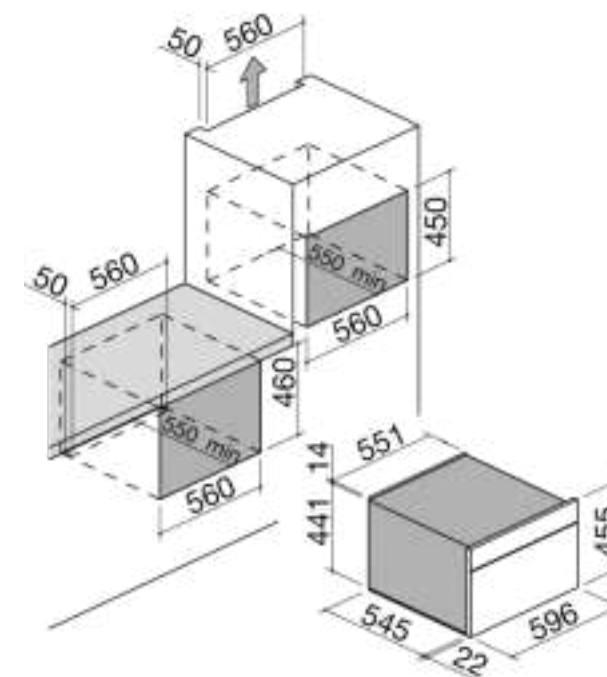
Price Excluding VAT: 83,500,000 VND

BARAZZA - ICON SERIES - EXCLUSIVE BLACK MATT COFFEE MACHINE - 1CFEVEN

Description

- Glass Profiling
- Digital Programmer
- 5 Coffee Strength Levels (Extra Light, Light, Normal, Strong, Extra Strong)
- 3 Levels of Coffee Quantity.
- Single or Double Cup
- Steam Delivery for Cappuccino and Hot Water
- Automatic Rinse Function
- Possibility to use Pre-ground Coffee
- Soft Touch Finish
- LED Lighting
- Telescopic Guides
- Display Signaling: No Water, No Coffee, Grounds Presence, Descaling Warning, Grinding And Dosage Level Warnings
- 220g Bean Container
- 1.8 L Removable Water Tank
- 15 Bar Pressure
- Maximum 1.35 kW Power
- 60 x 45 cm
- **5 Years Warranty**
- **Designed & Manufactured In Italy**

Price Excluding VAT: 93,500,000 VND



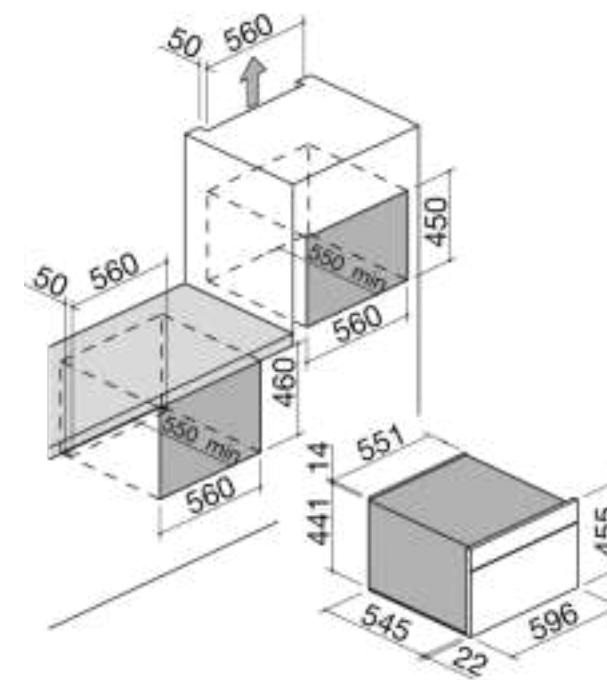
UPSCALE



BARAZZA - ICON SERIES - EXCLUSIVE BLACK MATT BLAST CHILLER - TABEVEN

Description

- Glass Profiling
- Digital Programmer
- 7 cold functions
- 4 hot functions
- Minimum temperature: -30 °C
- Maximum temperature: 75 °C
- Capacity: 40 litres
- Interactive and multilingual Touch Screen
- Front controls and handle
- Soft-Touch finish
- Steel interior cavity
- LED internal lights
- Side racks
- Equipment: 2 steel racks, temperature probe
- Maximum absorbed power: 0.3 kW
- 60 x 45 cm
- **5 Years Warranty**
- **Designed & Manufactured In Italy**



UPSCALE



Price Excluding VAT: 148,500,000 VND

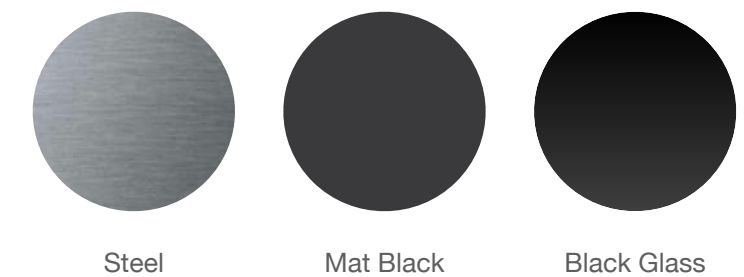
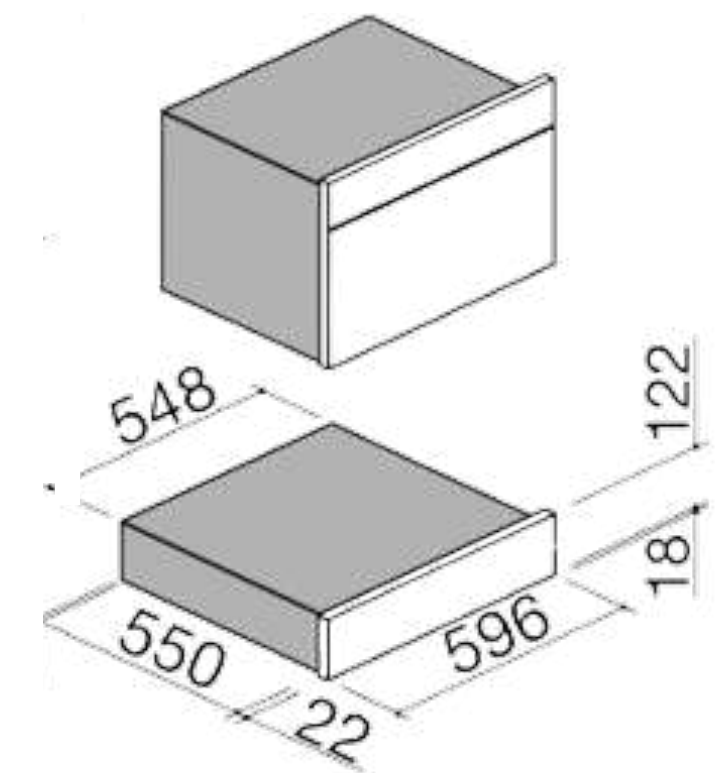
BARAZZA - ICON SERIES - EXCLUSIVE BLACK MATT BUILT IN WARMING DRAWER - ICEEVEN

Description

- Preheating of plates, dishes and coffee cups
- Food Warmer
- Defrost
- Leavening
- Adjustable temperature from 30 to 70 °C
- Smooth internal glass surface with non-slip mat
- Telescopic rails,
- Push-pull opening
- Operating light
- Maximum absorbed power: 0.4 kW
- **5 Years Warranty**
- **Designed & Manufactured In Italy**

Price Excluding VAT: 32,500,000 VND

UPSCALE



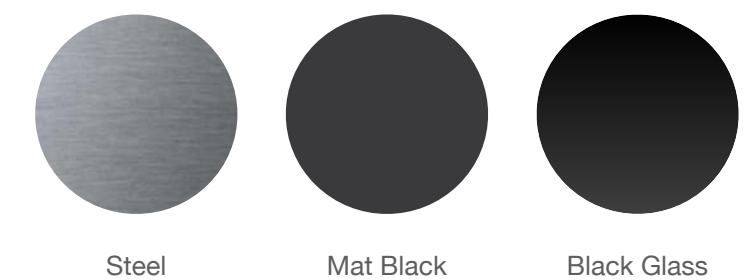
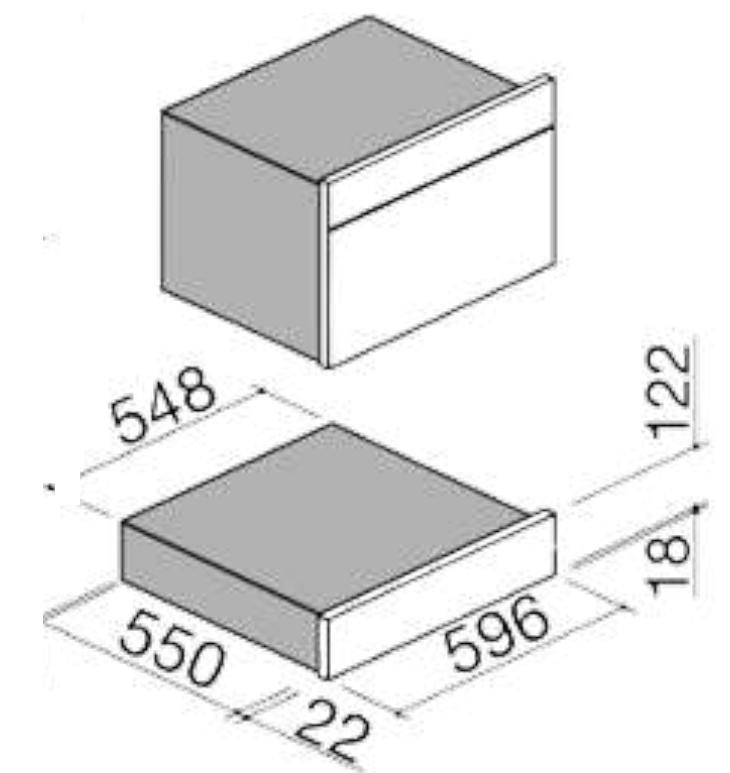
BARAZZA - ICON SERIES - EXCLUSIVE BLACK MATT BUILT IN VACUUM DRAWER - 1CSEVEN

Description

- Glass Profiling
- Digital Touch Control Programmer
- 3 Level Vacuum Sealed Bag
- 3 Level Sealing
- 3 Level Vacuum Sealed Container
- Chef Function For Marinating
- Maturation
- Cold Infusions
- Extraction of Essential Oils
- Oil Pump Motor
- Tempered Glass Lid
- Steel Tank with Stainless Steel Interior
- Push-Pull Opening
- Kit for 50 bags for Storage and 50 Bags for Cooking
- Telescopic Guides
- Maximum Power Absorbed: 0.24KW
- **5 Years Warranty**
- **Designed & Manufactured In Italy**

Price Excluding VAT: 92,500,000 VND

UPSCALE



UPSCALE

CITY SERIES

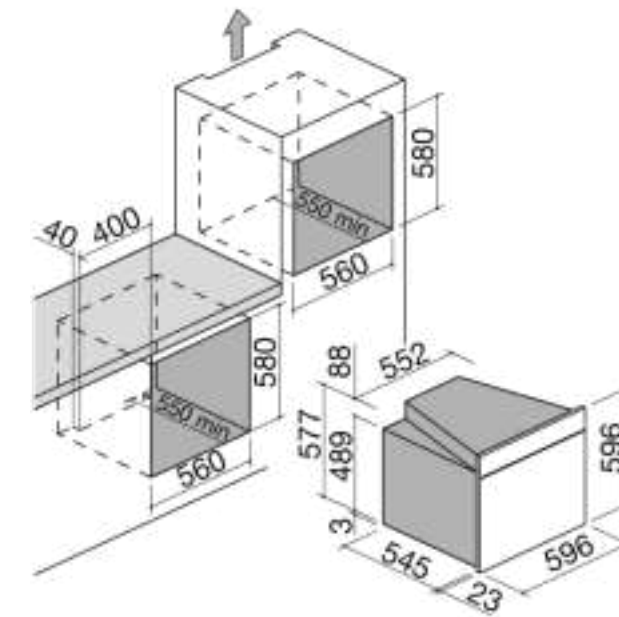


BARAZZA - CITY SERIES

60 CM BUILT IN OVEN - 1FCYPN

Description

- Zefiro sanitification system
- 8 manual functions + Defrost Function
- Veggy mode
- maximum temperature: 250 °C
- Capacity: 65 litres
- Soft Touch Knobs
- Features: Easy to clean oven interior, extractable and removable door with triple heat-reflecting glass, Soft-Close hinges, tangential cooling fan, drop-down grill, 2 internal lights, side racks
- Equipment: 1 deep Easy Clean enamelled steel tray, 1 Easy Clean enamelled steel tray, 1 steel rack, 2 pairs of telescopic oven rails
- Safety devices: safety switch-off, child-safety function
- Maximum absorbed power: 2.7 kW
- **5 Years Warranty**
- **Designed & Manufactured In Italy**



UPSCALE



Satin Stainless

Black Glass



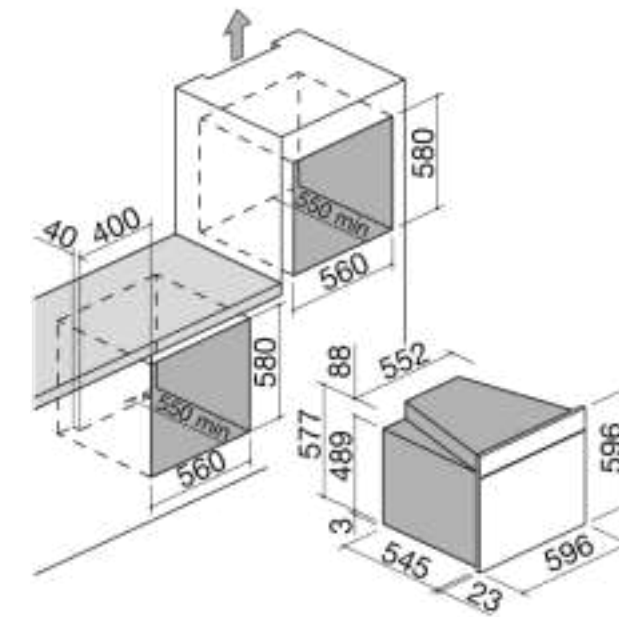
Price Excluding VAT: 38,500,000 VND

BARAZZA - CITY SERIES

60 CM BUILT IN OVEN - 1FCYMI

Description

- Zefiro sanitization system
- 8 manual functions + Defrost Function
- Veggy mode
- maximum temperature: 250 °C
- Capacity: 65 litres
- Soft Touch Knobs
- Features: Easy to clean oven interior, extractable and removable door with triple heat-reflecting glass, Soft-Close hinges, tangential cooling fan, drop-down grill, 2 internal lights, side racks
- Equipment: 1 deep Easy Clean enamelled steel tray, 1 Easy Clean enamelled steel tray, 1 steel rack, 2 pairs of telescopic oven rails
- Safety devices: safety switch-off, child-safety function
- Maximum absorbed power: 2.7 kW
- **5 Years Warranty**
- **Designed & Manufactured In Italy**



UPSCALE



Satin Stainless

Black Glass



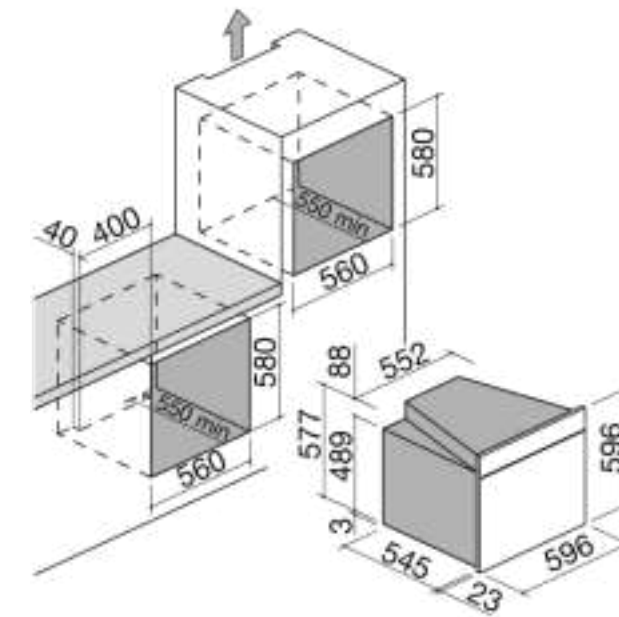
Price Excluding VAT: 40,500,000 VND

BARAZZA - CITY SERIES

60 CM BUILT IN OVEN - 1FUAM

Description

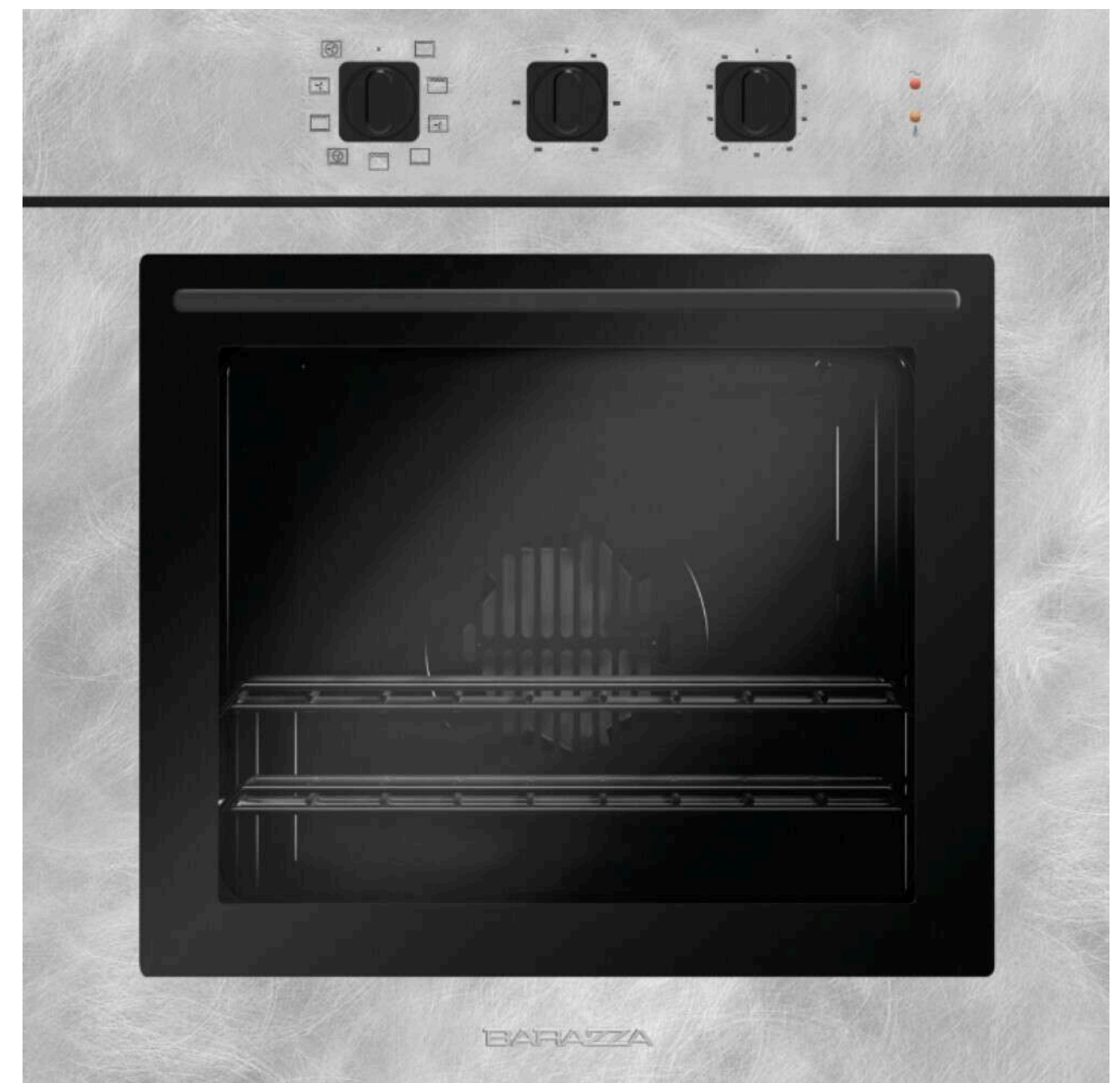
- 8 manual functions + Defrost Function
- maximum temperature: 250 °C
- Capacity: 65 litres
- Soft Touch Knobs
- Features: Easy to clean oven interior, extractable and removable door with triple heat-reflecting glass, Soft-Close hinges, tangential cooling fan, drop-down grill, 2 internal lights, side racks
- Equipment: 1 deep Easy Clean enamelled steel tray, 1 Easy Clean enamelled steel tray, 1 steel rack, 2 pairs of telescopic oven rails
- Safety devices: safety switch-off, child-safety function
- Maximum absorbed power: 2.7 kW
- **5 Years Warranty**
- **Designed & Manufactured In Italy**



UPSCALE



Vintage Steel



Price Excluding VAT: 38,500,000 VND

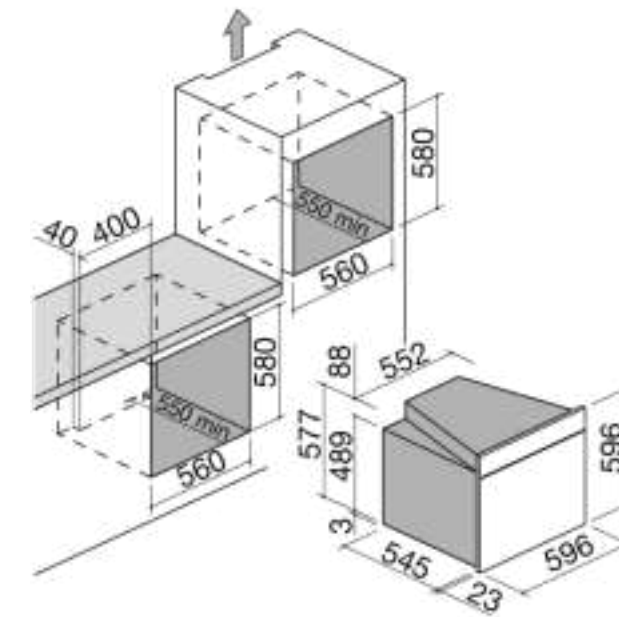
BARAZZA - CITY SERIES

60 CM BUILT IN OVEN - 1FOAP

Description

- 8 manual functions + Defrost Function
- maximum temperature: 250 °C
- Digital Programmer
- Capacity: 65 litres
- Professional Knobs
- Features: Easy to clean oven interior, extractable and removable door with triple heat-reflecting glass, Soft-Close hinges, tangential cooling fan, drop-down grill, 2 internal lights, side racks
- Equipment: 1 deep Easy Clean enamelled steel tray, 1 Easy Clean enamelled steel tray, 1 steel rack, 2 pairs of telescopic oven rails
- Safety devices: safety switch-off, child-safety function
- Maximum absorbed power: 2.7 kW
- **5 Years Warranty**
- **Designed & Manufactured In Italy**

Price Excluding VAT: 33,500,000 VND



UPSCALE



Satin Stainless

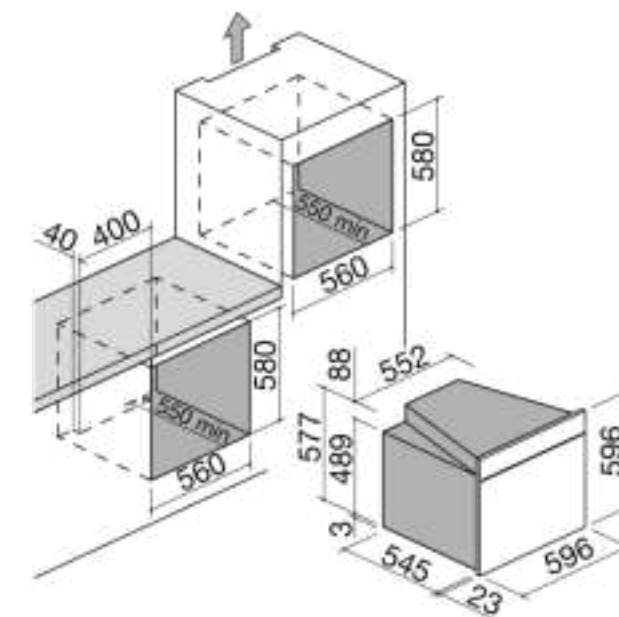


BARAZZA - CITY SERIES

60 CM BUILT IN OVEN - 1FOAM

Description

- 8 manual functions + Defrost Function
- maximum temperature: 250 °C
- Mechanical Programmer
- Capacity: 65 litres
- Professional Knobs
- Features: Easy to clean oven interior, extractable and removable door with triple heat-reflecting glass, Soft-Close hinges, tangential cooling fan, drop-down grill, 2 internal lights, side racks
- Equipment: 1 deep Easy Clean enamelled steel tray, 1 Easy Clean enamelled steel tray, 1 steel rack, 2 pairs of telescopic oven rails
- Safety devices: safety switch-off, child-safety function
- Maximum absorbed power: 2.7 kW
- **5 Years Warranty**
- **Designed & Manufactured In Italy**



UPSCALE



Satin Stainless



Price Excluding VAT: 28,500,000 VND

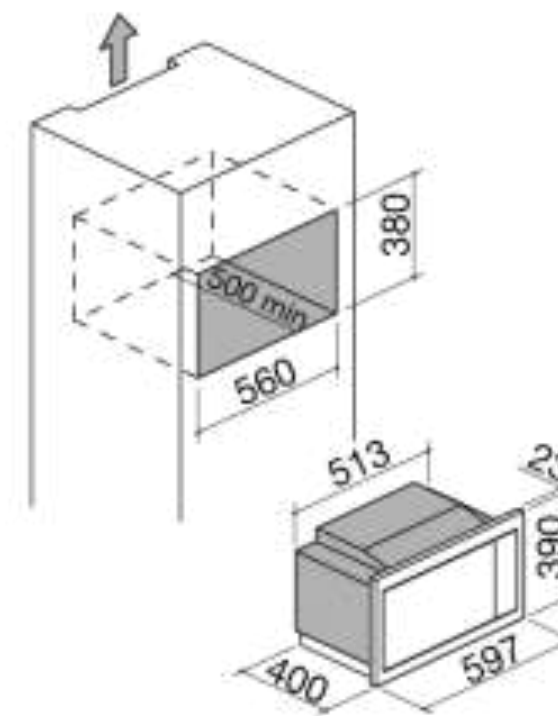
BARAZZA - CITY SERIES

MICROWAVE OVEN - 1MO1

UPSCALE

Description

- Satin Stainless Steel
- 6 manual functions
- 8 cooking programs
- Microwave functions up to 1450W
- Capacity: 25 litres
- Features: front controls, knobs Soft-Touch finish, Easy Clean interior, Soft-Close hinges, internal light.
- Double Glass Inner Door
- Equipment: Raised Removable Grill Rack
- **5 Years Warranty**
- **Designed Italy & Manufactured In China**



Price Excluding VAT: 21,500,000 VND

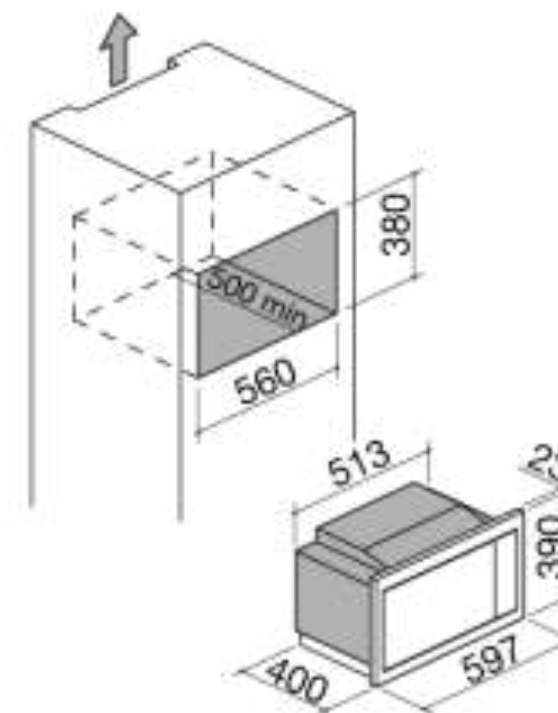
BARAZZA - CITY SERIES

MICROWAVE OVEN - 1MOGN

UPSCALE

Description

- Black Glass
- 6 manual functions
- 8 cooking programs
- Microwave functions up to 1450W
- Capacity: 25 litres
- Features: front controls, knobs Soft-Touch finish, Easy Clean interior, Soft-Close hinges, internal light.
- Double Glass Inner Door
- Equipment: Raised Removable Grill Rack
- **5 Years Warranty**
- **Designed Italy & Manufactured In China**



Price Excluding VAT: 23,500,000 VND

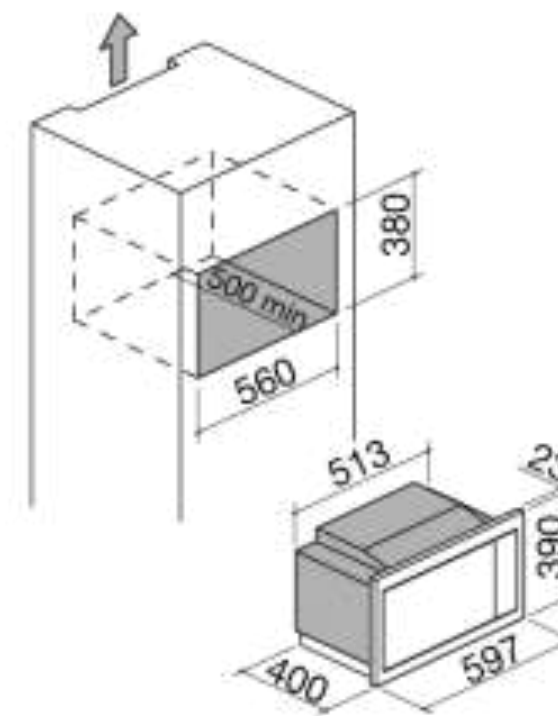
BARAZZA - CITY SERIES

MICROWAVE OVEN - 1MOIV

UPSCALE

Description

- Vintage Stainless Steel
- 6 manual functions
- 8 cooking programs
- Microwave functions up to 1450W
- Capacity: 25 litres
- Features: front controls, knobs Soft-Touch finish, Easy Clean interior, Soft-Close hinges, internal light.
- Double Glass Inner Door
- Equipment: Raised Removable Grill Rack
- **5 Years Warranty**
- **Designed Italy & Manufactured In China**



Price Excluding VAT: 24,500,000 VND

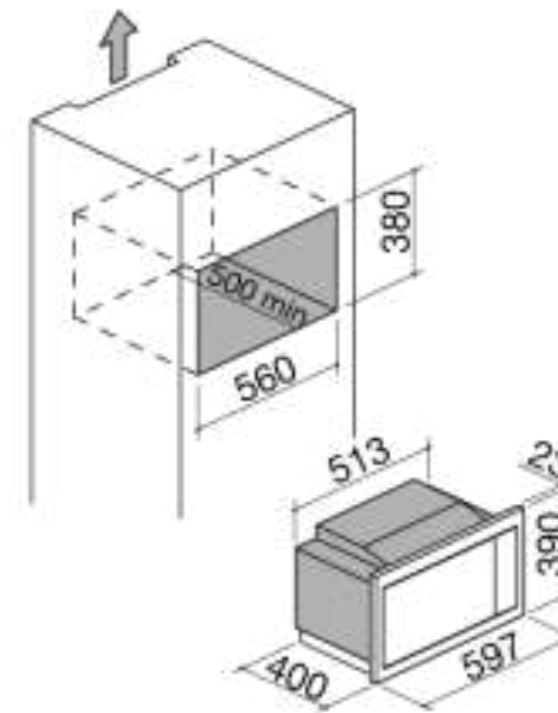
BARAZZA - CITY SERIES

MICROWAVE OVEN - 1MOEN

UPSCALE

Description

- Mat Black Steel
- 6 manual functions
- 8 cooking programs
- Microwave functions up to 1450W
- Capacity: 25 litres
- Features: front controls, knobs Soft-Touch finish, Easy Clean interior, Soft-Close hinges, internal light.
- Double Glass Inner Door
- Equipment: Raised Removable Grill Rack
- **5 Years Warranty**
- **Designed Italy & Manufactured In China**



Price Excluding VAT: 25,500,000 VND

AURA COLLECTION



Aura



Di freddo, d'acqua. Di stile.
Cold, water. Style.



UPSCALE

BUILT IN REFRIGERATOR & DISHWASHER
TỦ LẠNH - MÁY RỬA CHÉN



BARAZZA - Refrigerator Built In

Built In Combi Refrigerator - 1FCA6I

UPSCALE

Description

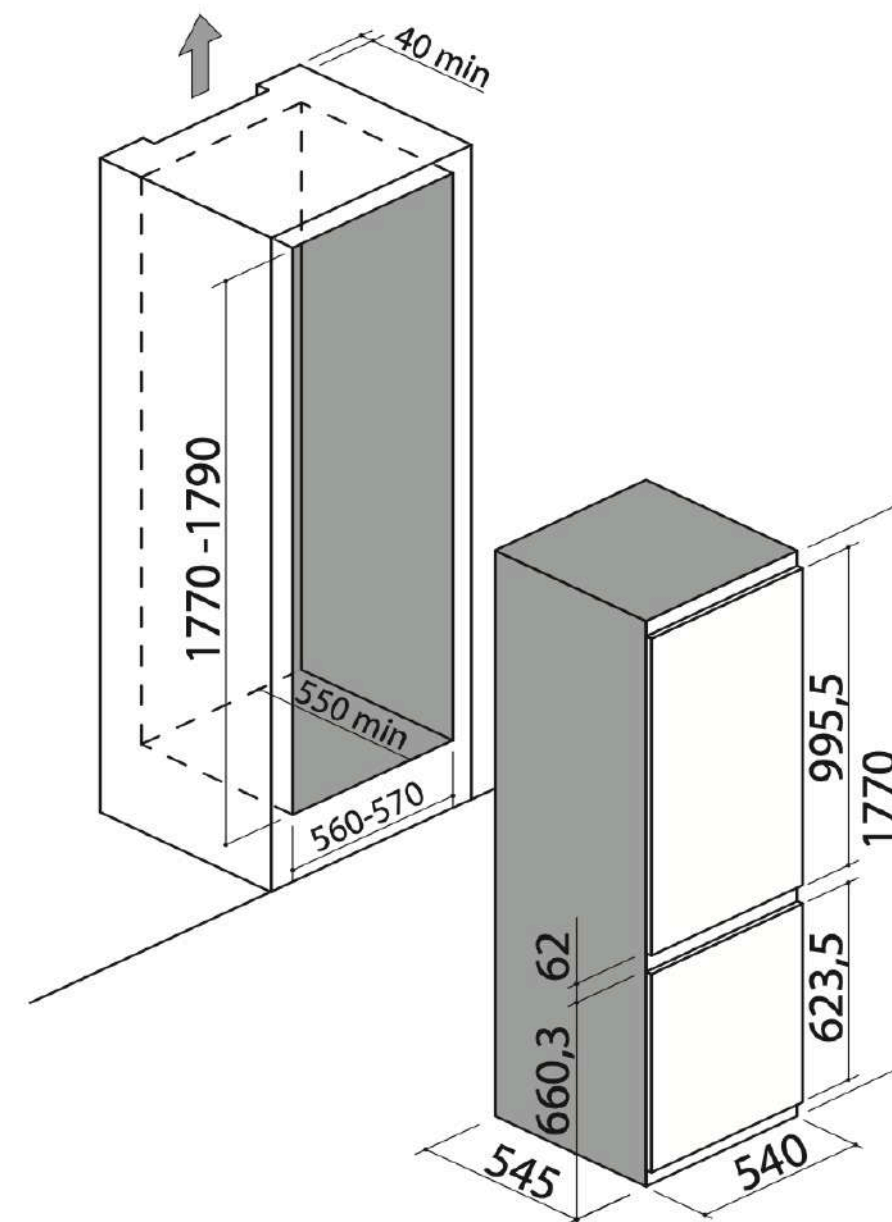
- Double doors with bottom freezer
- No Frost - AutoDefrosting
- Metal Cooling System at the back
- Electronic Touch Control & Dual Display
- 3 Large LED Light
- Humidity Control Technology
- Zero Degree Drawers
- 3 Tempered Glass - 4 door shelves (adjustable)
- SuperCool VitaMod Technology
- Volume - 233 L
- Reversible Doors
- Drink Cool Function
- Dimensions: 540x545x1770 mm
- Vegetable Crispers
- Height Adjustable Balcony
- **5 Years Warranty**
- **Designed & Manufactured in EU**
- Available in Dark Steel Finish & White Steel Finish

Price Excluding VAT: 65,500,000 VND



Aura

Di freddo, d'acqua. Di stile.
Cold, water. Style.



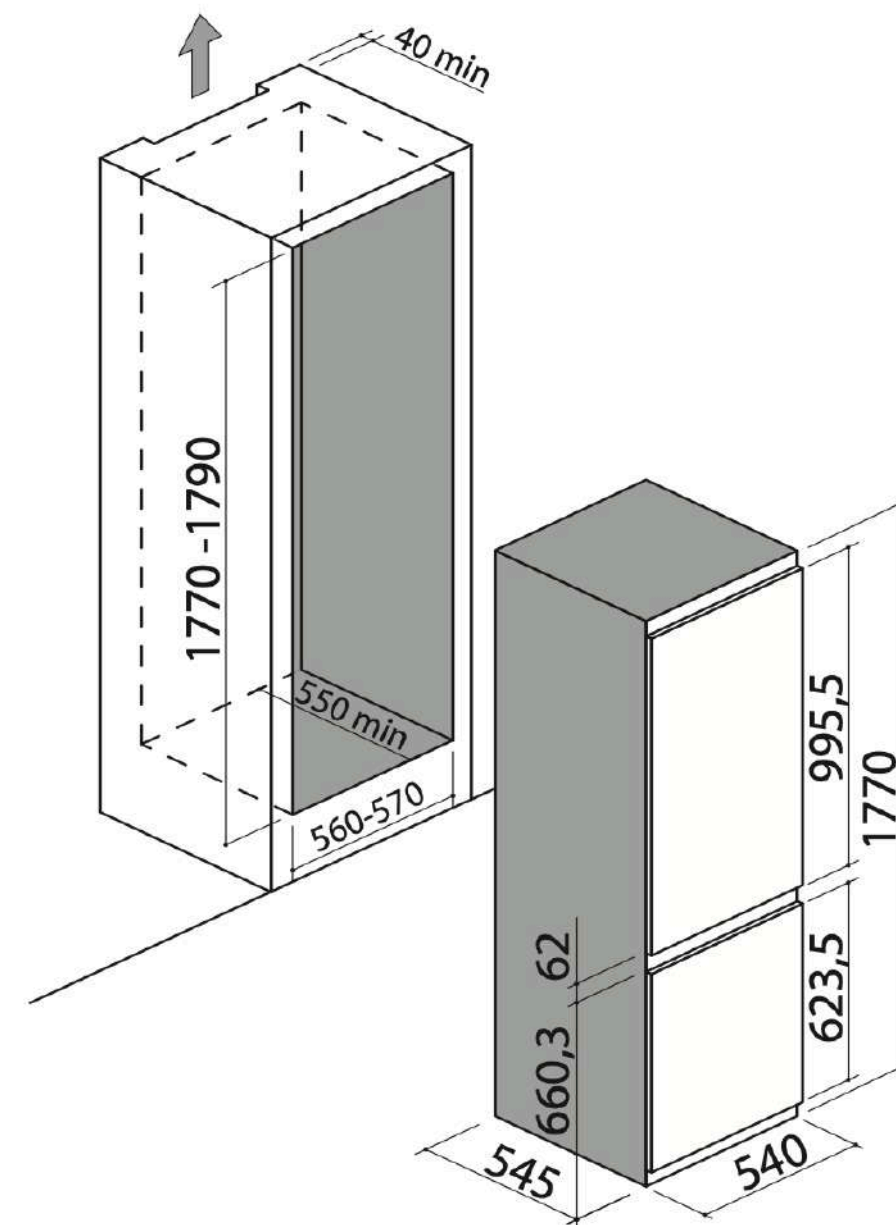
BARAZZA - Refrigerator Built In

Built In Combi Refrigerator - 1FCE6I

UPSCALE

Description

- Double doors with bottom freezer
- No Frost - AutoDefrosting
- Metal Cooling System at the back
- Electronic Touch Control & Dual Display
- 3 Large LED Light
- Humidity Control Technology
- 4 Tempered Glass - 4 door shelves
- SuperCool
- Volume - 233 L
- Reversible Doors
- Drink Cool Function
- Dimensions: 540x545x1770 mm
- Vegetable Crispers
- Height Adjustable Balcony
- **5 Years Warranty**
- **Designed & Manufactured in EU**
- Available in White Steel Finish



Price Excluding VAT: 55,500,000 VND



BARAZZA

BARAZZA

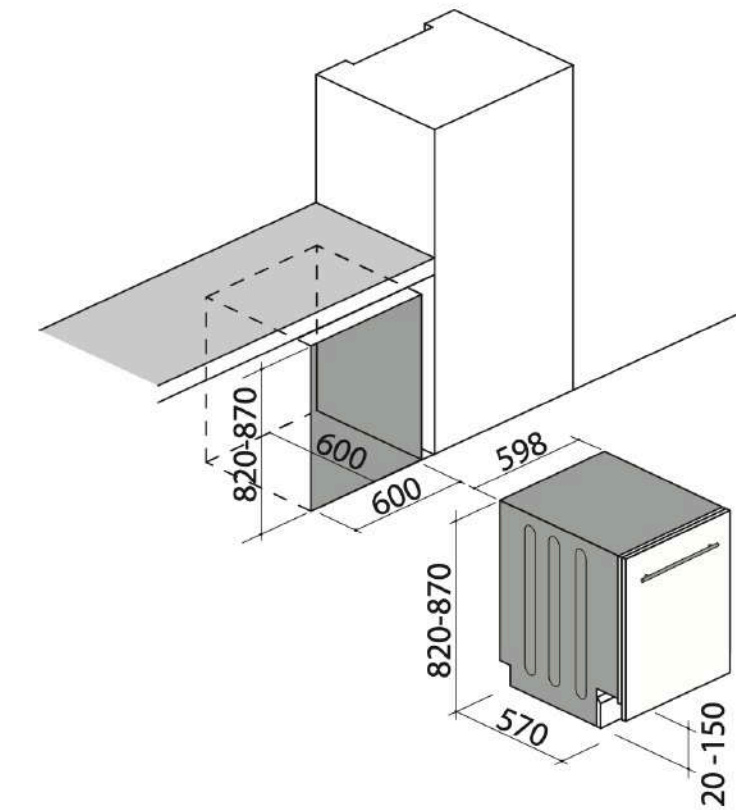


BARAZZA - Dishwasher - Fully Integrated Built In Dishwasher - 1LVA6I

Description

- 15 Sets
- 9 Programs with Smart functions
- Delay Start
- Half Load Program
- Inverter Motor
- Touch Control Commands
- Steel Panel
- Triple Wash & Direct Wash
- AquaZone - AquaStop
- Super Silent
- Extra Fast Function
- Energy Saving
- Turbo Drying
- Automatic Door Opening
- LED Info
- Internal Light
- Metal Filter
- 3 Dark Grey Basket & Cutlery Basket
- 59.8 x 57 x 82-87 (Height) cm
- Sliding Door - Minimum 2 cm Plinth
- **5 Years Warranty**
- **Designed & Manufactured in EU**
- **Available In Dark Grey & Stainless Steel**

Price Excluding VAT: 45,500,000 VND



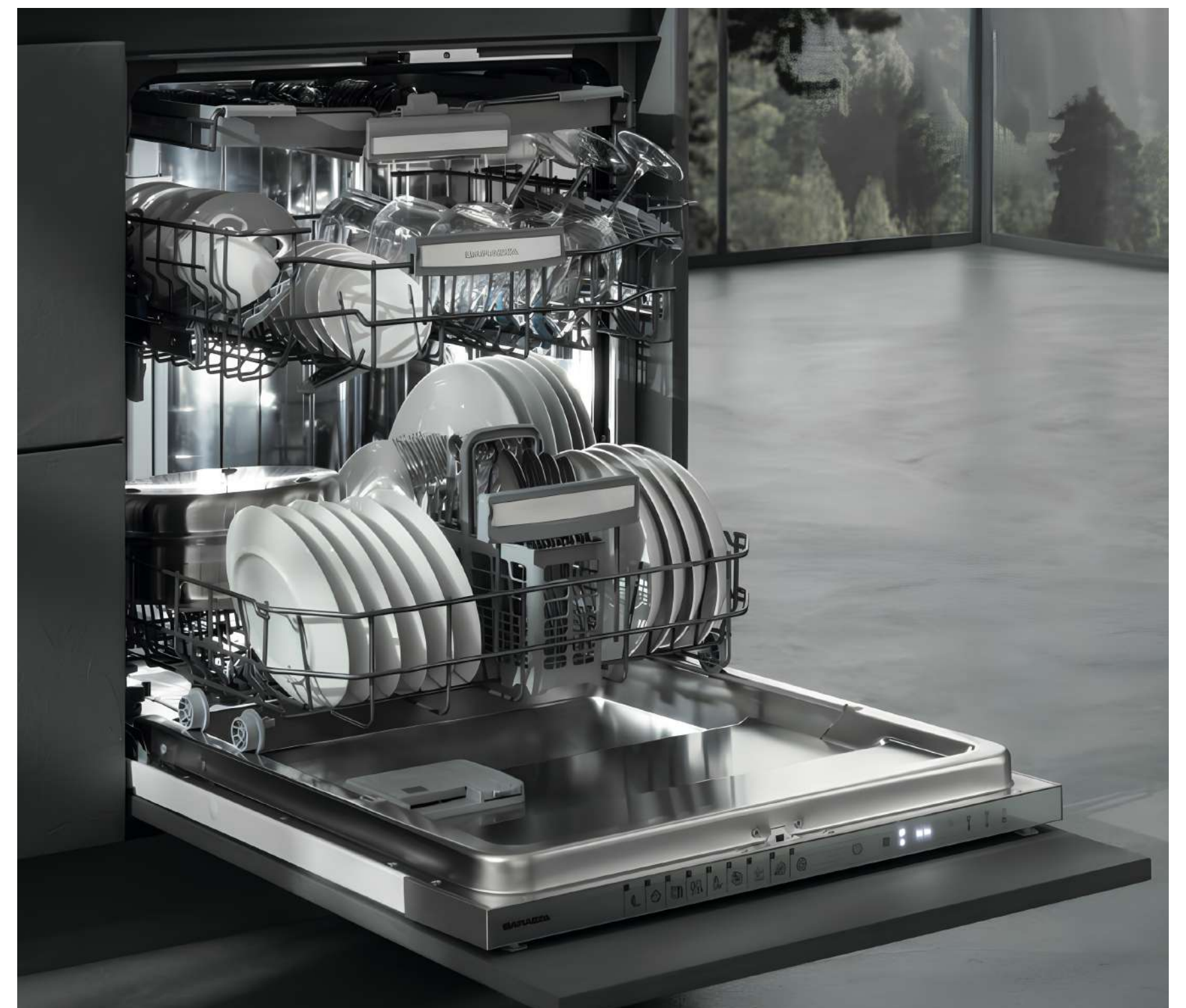
UPSCALE



Aura



Di freddo, d'acqua. Di stile.
Cold, water. Style.

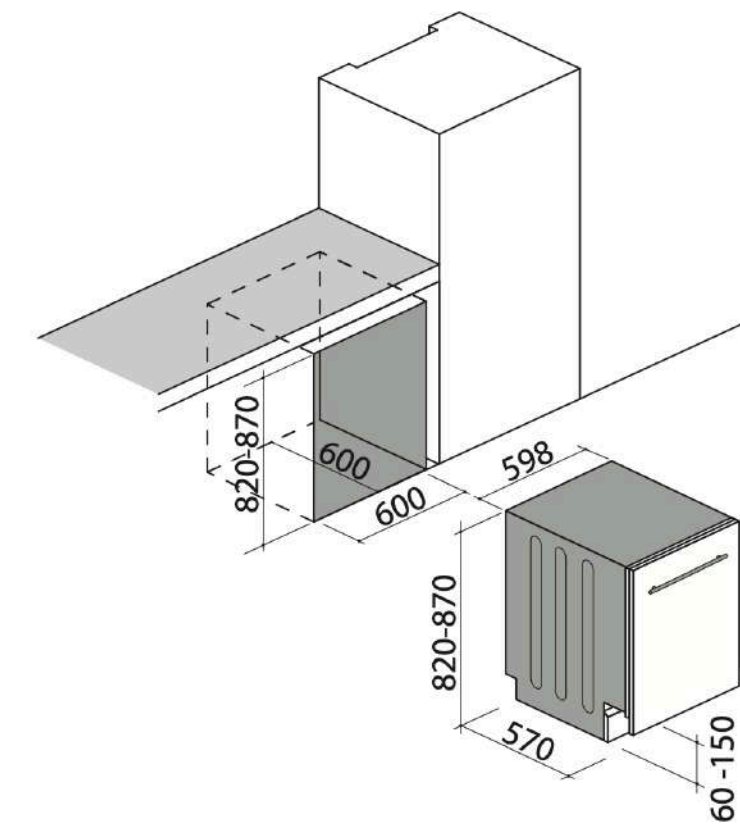


BARAZZA - Dishwasher - Fully Integrated Built In Dishwasher - 1LVE6I

Description

- 15 Sets
- 9 Programs with Smart functions
- Delay Start
- Half Load Program
- Inverter Motor
- Touch Control Commands
- Steel Panel
- AquaZone - AquaStop
- Silent
- Extra Fast Function
- Energy Saving
- Turbo Drying
- Automatic Door Opening
- LED Info
- Internal Light
- Metal Filter
- 3 Dark Grey Basket & Cutlery Basket
- 59.8 x 57 x 82-87 (Height) cm
- Sliding Door - Minimum 6 cm Plinth
- **5 Years Warranty**
- **Designed & Manufactured in EU**
- **Available In Dark Grey & Stainless Steel**

Price Excluding VAT: 38,500,000 VND



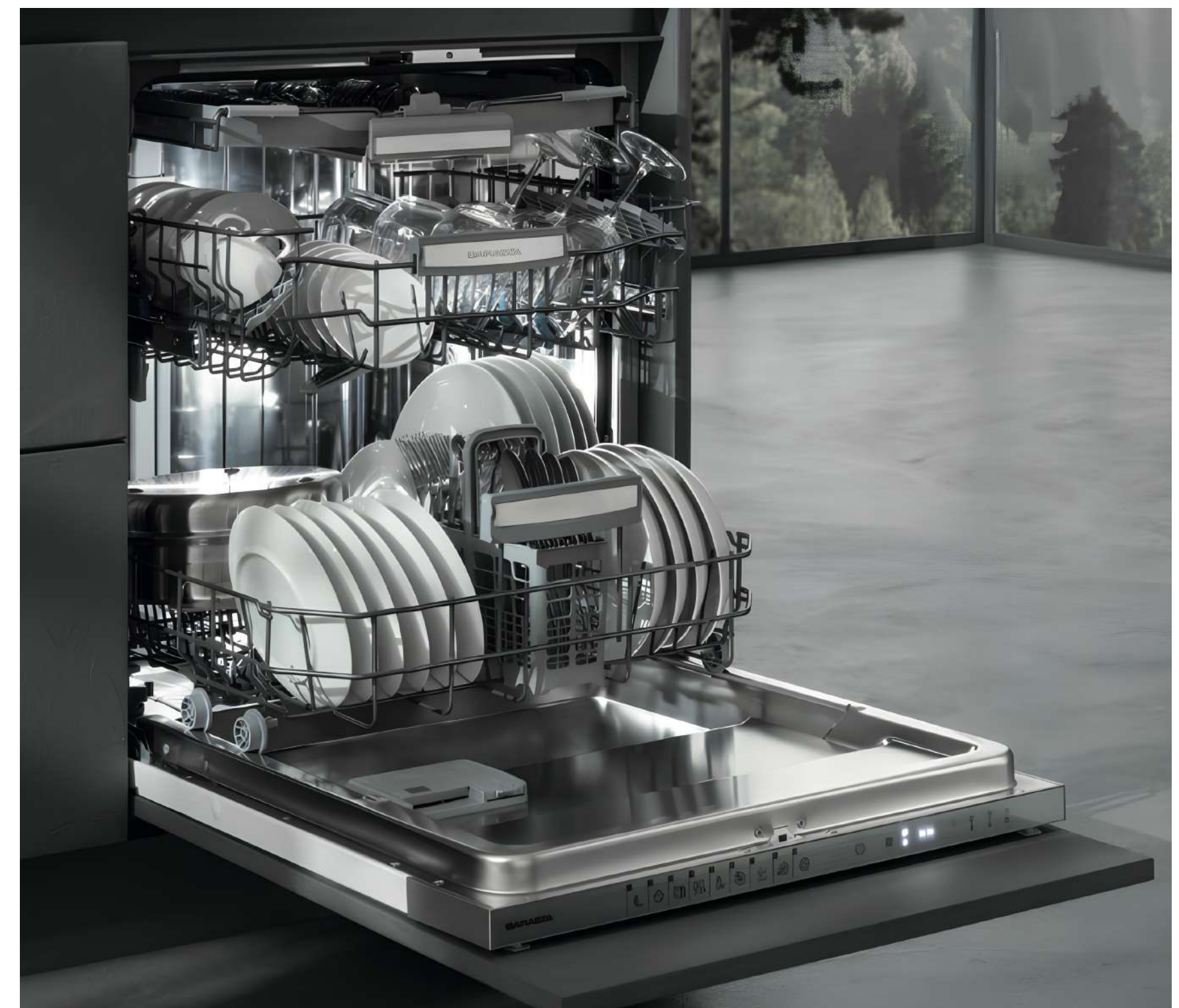
UPSCALE



Aura



Di freddo, d'acqua. Di stile.
Cold, water. Style.



INDUCTION - BẾP TỪ

BARAZZA - BFREE SERIES

120 CM FUSION HOB - 4 Induction Zones + BBQ

Description

- AISI 304 extra thick stainless steel
- Vintage finish
- INDUCTION HOB n.4 210×190 mm OCTA ZONE 2.1/3 kW
- Functions: progressive adjustment from 0 to 9, booster, bridge, warming level, automatic parboil, electronic child-safety block, residual indicator, selective pan detection, safety switch-off, power management
- Adjustable power levels: 1,6 till 7,4 kW
- Maximum absorbed power: 7.4 kW
- BARBECUE HOB with electric heating element
- Pan support: cast iron
- Lava stone for absorbing grease and oils
- Removable colande
- Regulation selection from 0 to 9
- Light heating element activation
- Power: 7,4 kW
- **5 Years Warranty**
- **Designed & Manufactured In Italy**

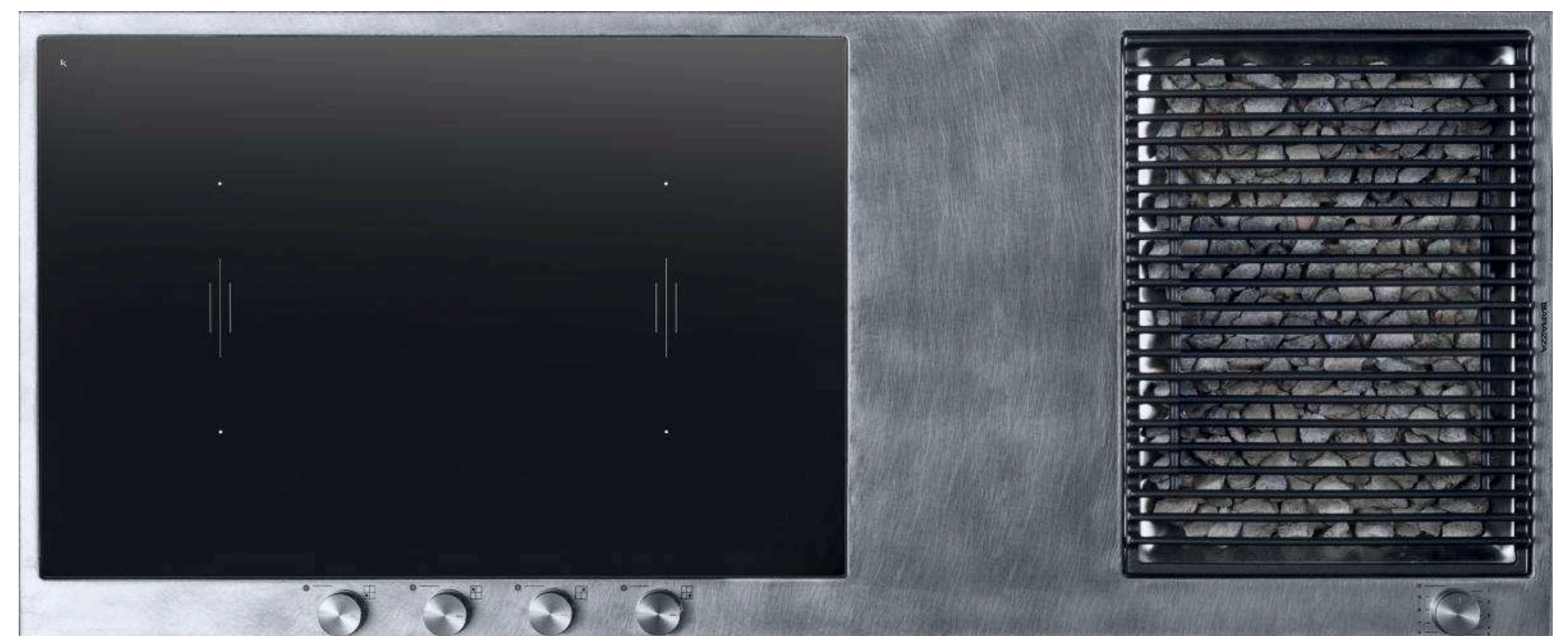
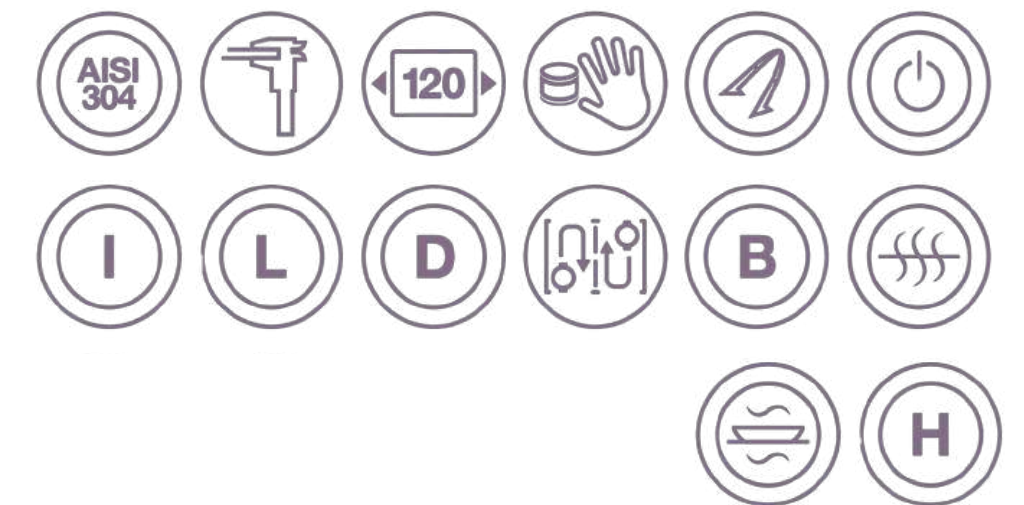
Price Excluding VAT: TBA

UPSCALE



archiproducts
DESIGN AWARDS
2022

WINNER



BARAZZA - BFREE SERIES

90 CM INDUCTION + DOWNDRAFT HOOD - 1PKZP9N

UPSCALE

Description

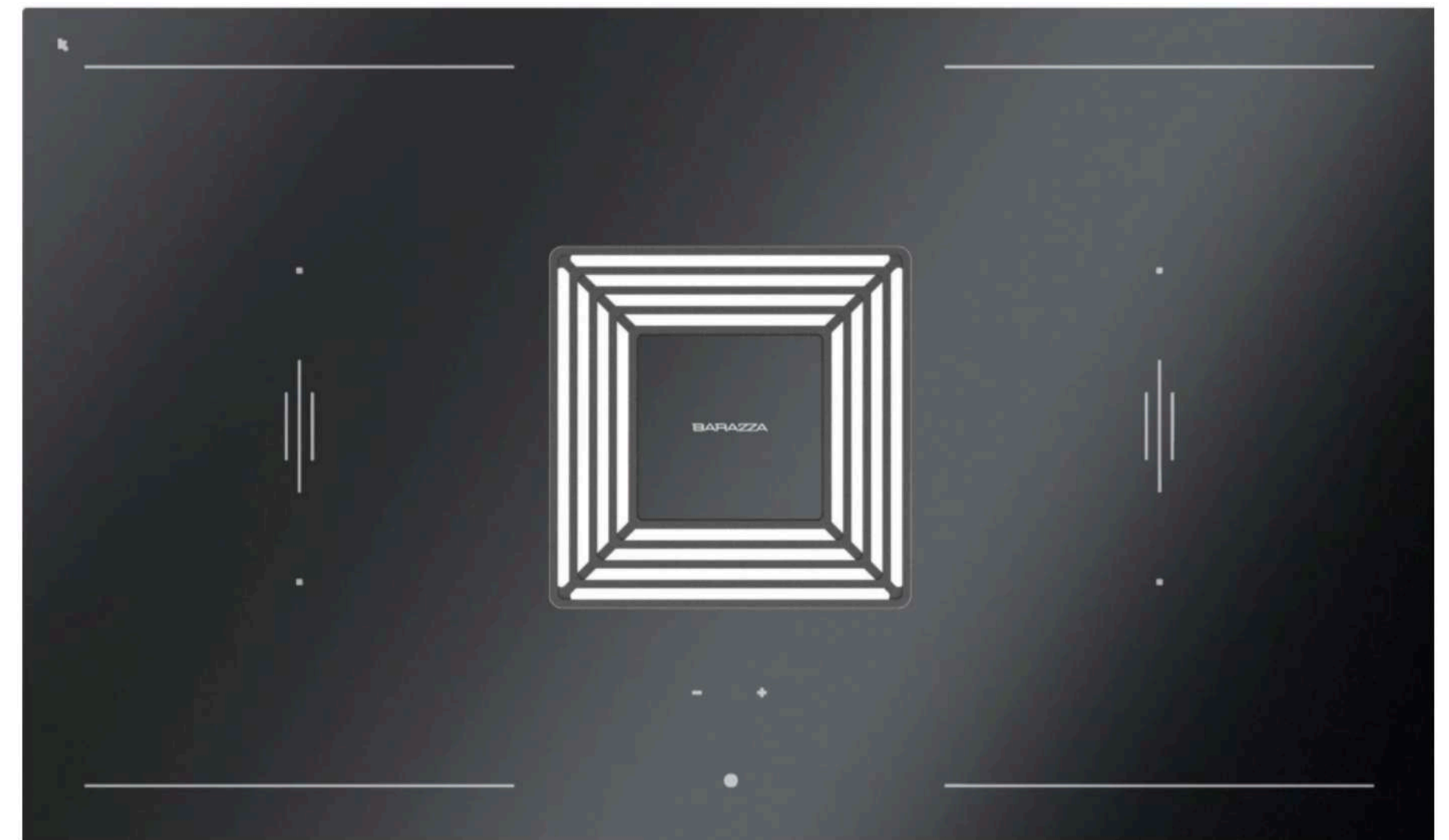
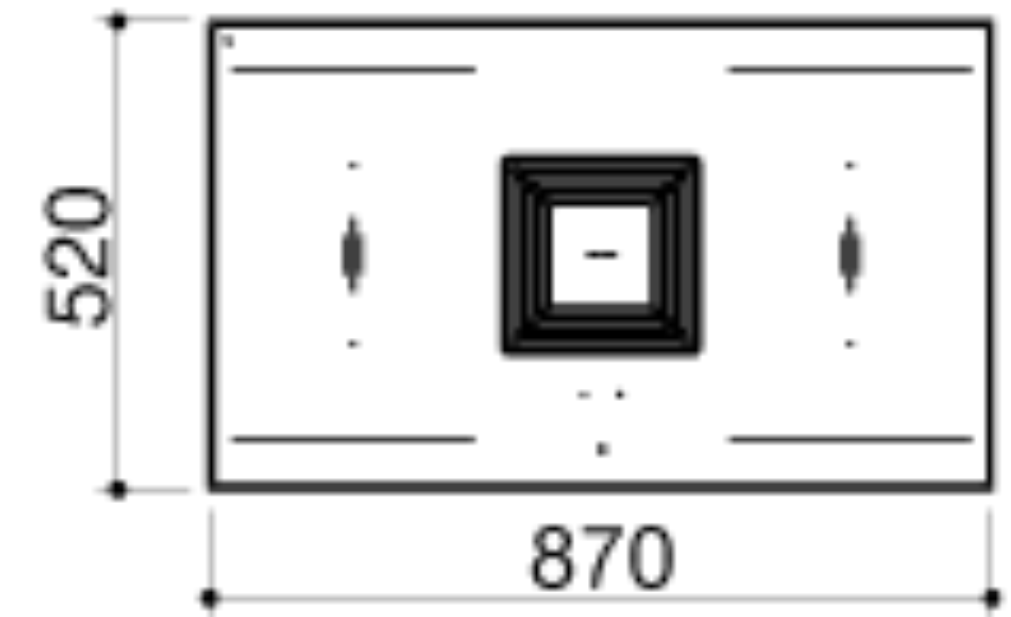
INDUCTION

- Touch Control with Solid Inox Frame
- Functions: power management, Chef Cook, Bridge, Booster, Pan Detection, Pause/Reminder Function, Timer 1-600', Minute minder, Automatic preheating, Keep warm
- Safety devices: electronic child safety lock, residual heat indicator, overflow alarm, safety switch-off
- Adjustable power levels - Maximum Absorbed Power: 7,4 kW

HOOD

- Efficient Filtering
- Speeds: 3 + Booster
- Rated air-flow: 800 m³/h
- Pressure: 524 Pa
- Noise level: 56-76 Lw (dBA)
- Filter: stainless steel AISI 304
- Energy rating: A++
- Maximum absorbed power: 0,22 kW
- Including Ceramic Filtering Kit
- **5 Years Warranty**
- **Designed & Manufactured In Italy**

Price Excluding VAT: TBA



BARAZZA - BFREE SERIES

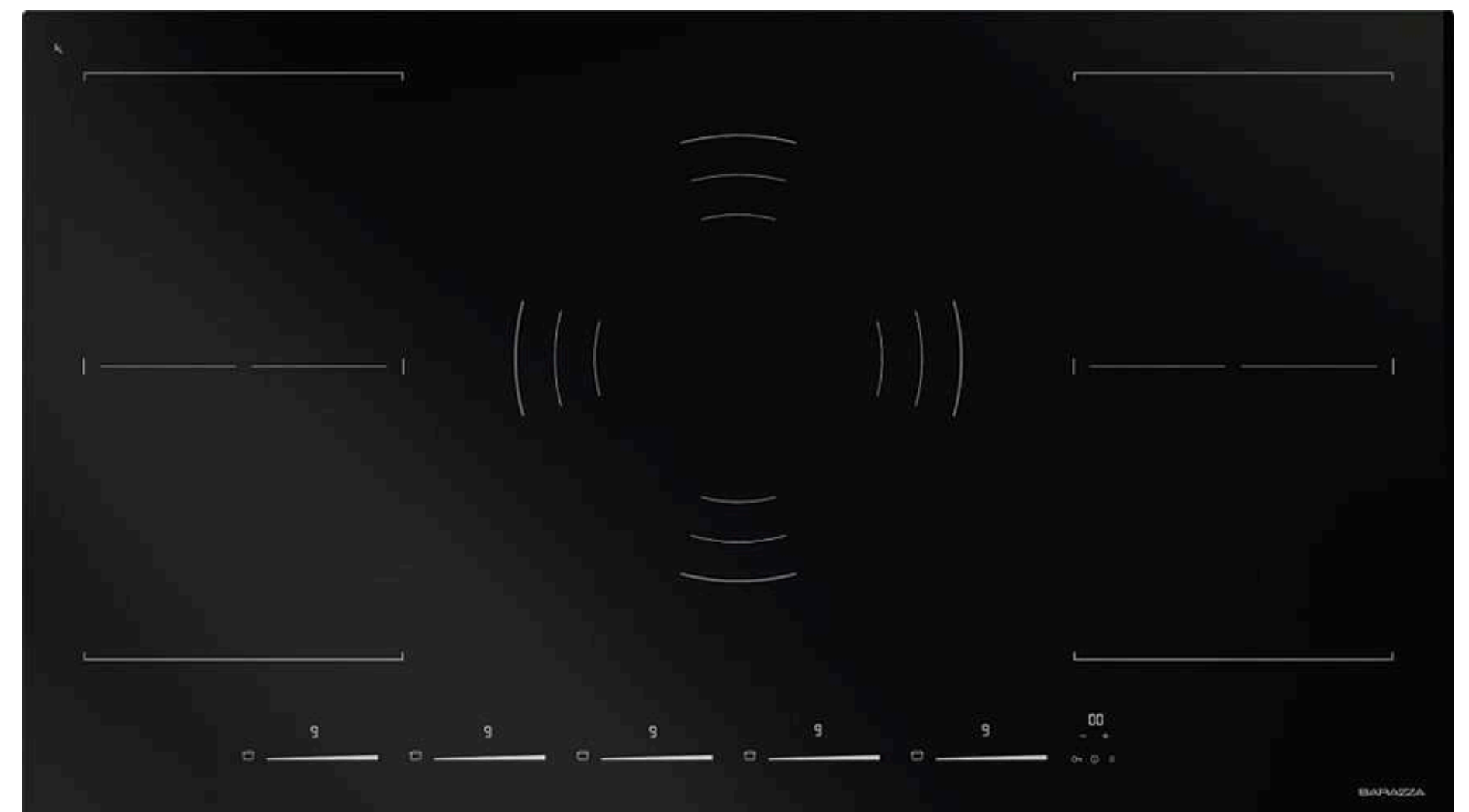
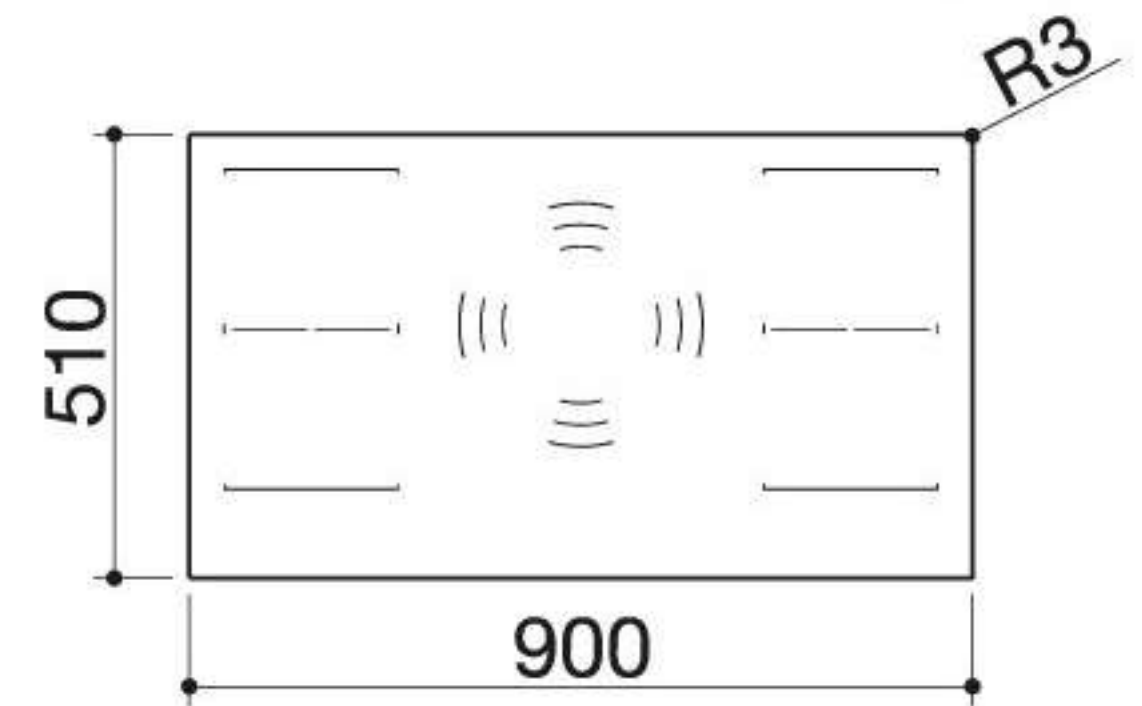
90 CM INDUCTION HOB - 1PIDS90N

Description

- 90 cm built in induction - 5 Zones
- Touch Control - Multi Slider
- Power management System
- Energy Efficient
- Bridge
- Booster
- Chef Cook
- Timer
- Selective pan detection
- Automatic preheating
- Keep warm
- Electronic child safety lock
- Residual heat indicator
- Safety switch off
- Adjustable power management: From 1.6 till 11.1kW
- 86×49 cm cut out
- **5 Years Warranty**
- **Designed & Manufactured In Italy**

Price Excluding VAT: 79,500,000 VND

UPSCALE



BARAZZA - BFREE SERIES

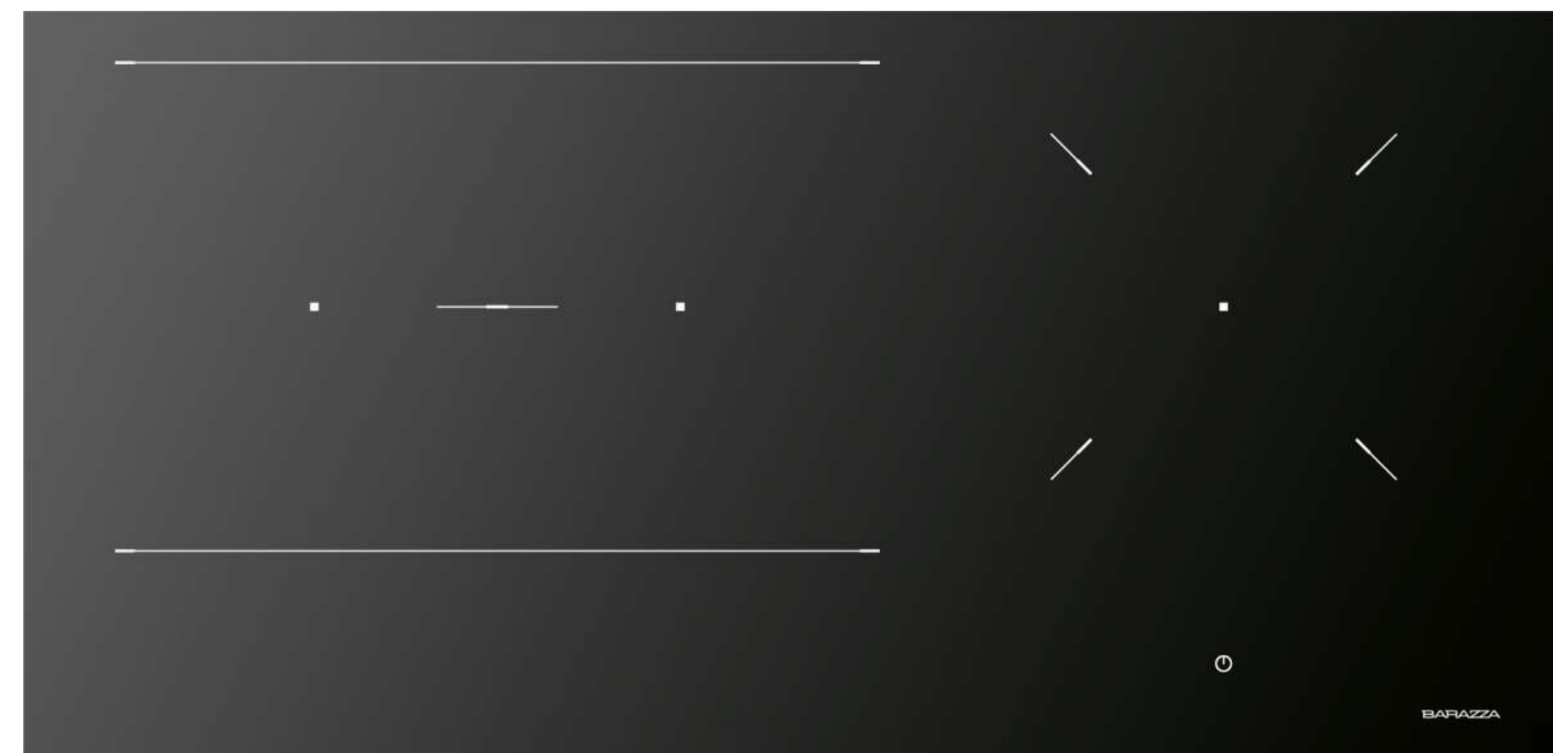
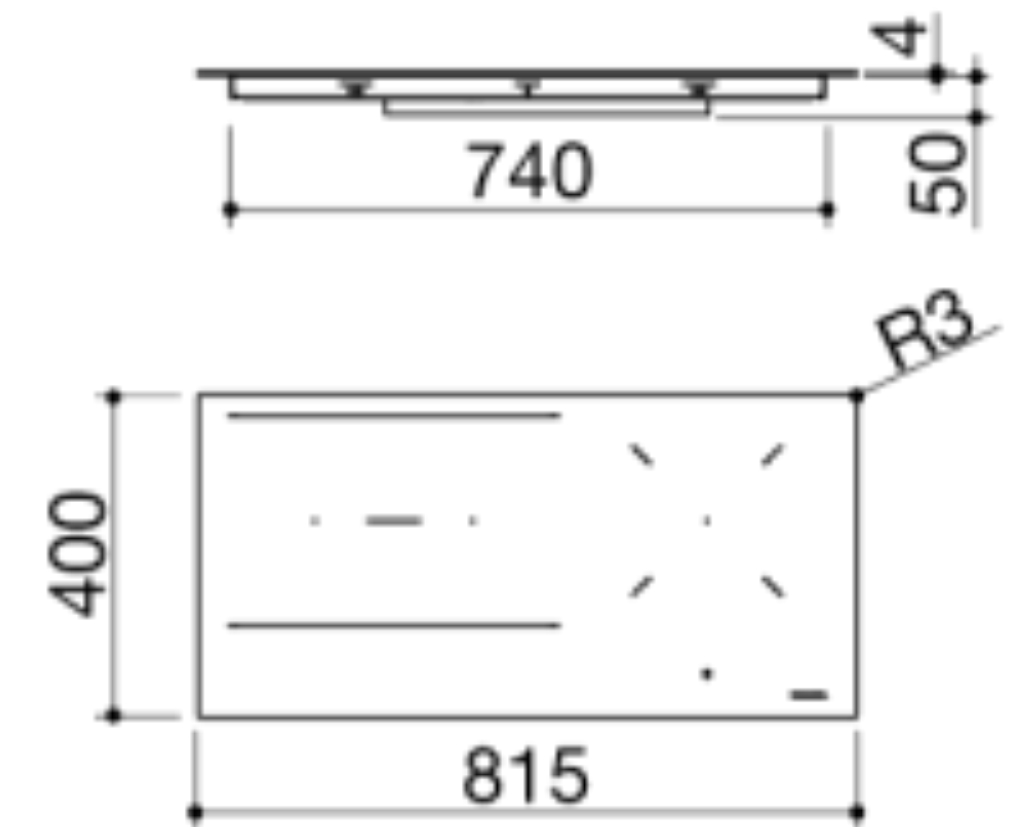
90 CM INDUCTION HOB - 1PIDC90N

Description

- 815 x 400 Built in induction - 3 Zones
- Touch Control
- Power management System
- Energy Efficient
- Bridge
- Booster
- Chef Cook
- Timer
- Selective pan detection
- Automatic preheating
- Keep warm
- Electronic child safety lock
- Residual heat indicator
- Safety switch off
- Adjustable power management: From 1.4 till 6.7kW
- 795x380 mm cut out
- **5 Years Warranty**
- **Designed & Manufactured In Italy**

Price Excluding VAT: 62,500,000 VND

UPSCALE



BARAZZA - BFREE SERIES

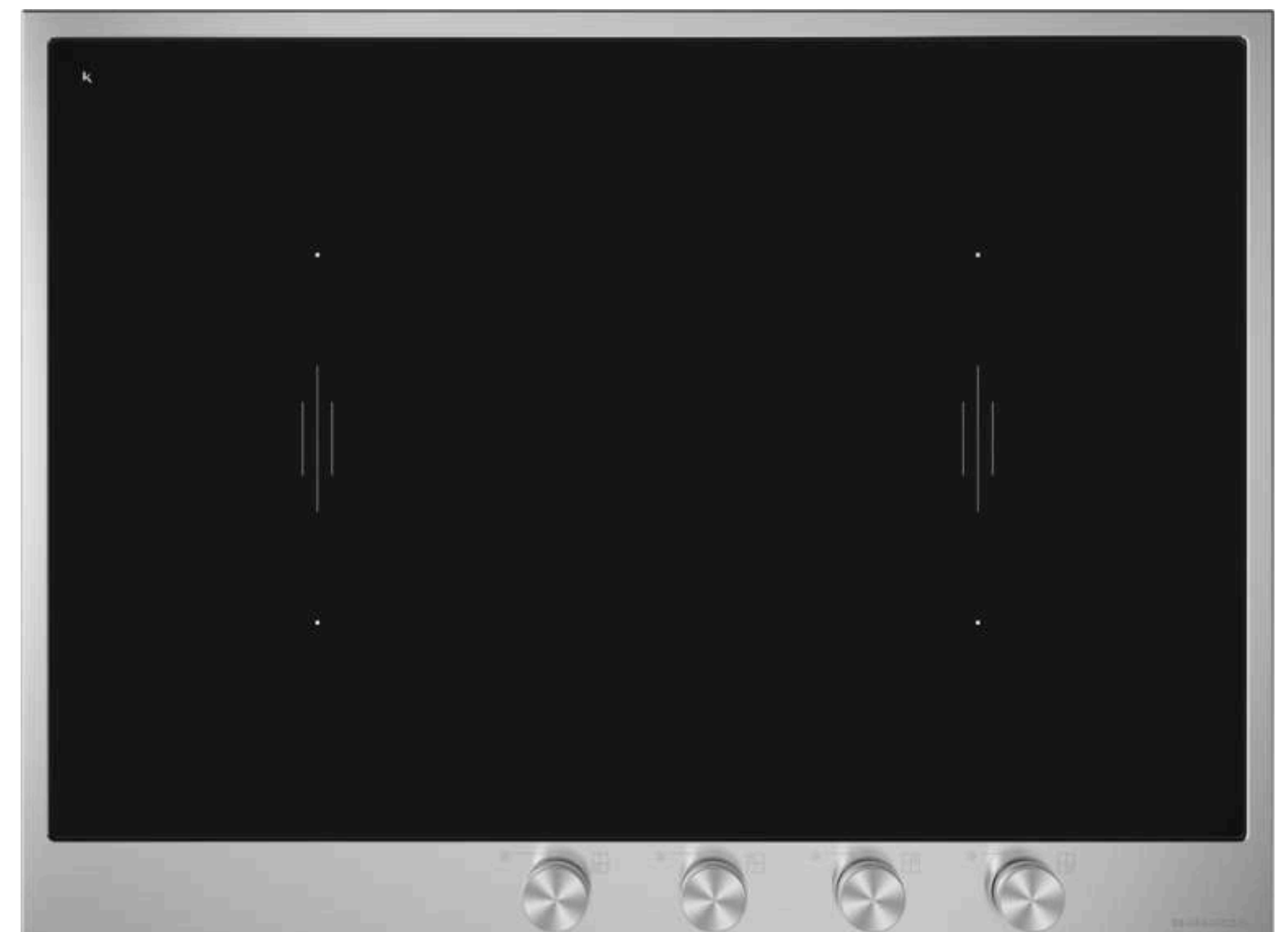
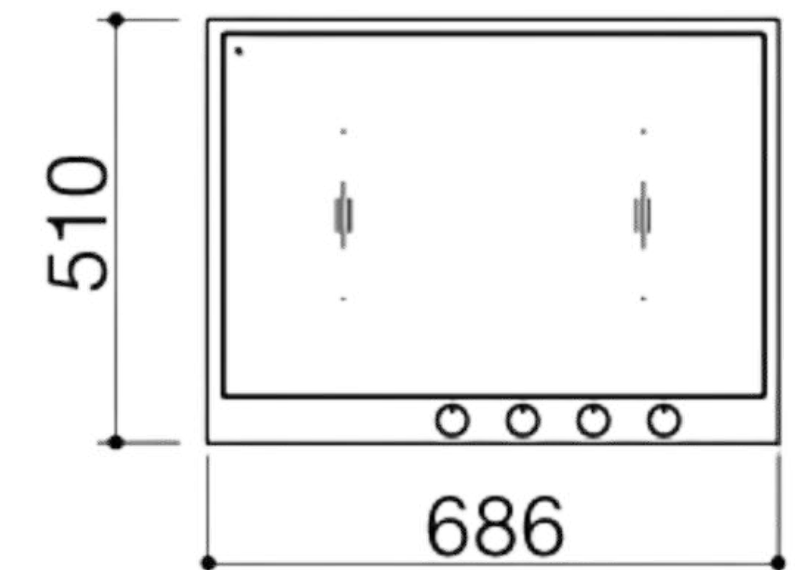
PROFESSIONAL 70 CM INDUCTION - 1PBF7ID

Description

- 70 cm built in induction - 4 Zones
- Extra thick AISI 304 stainless steel frame
- Professional knob control
- Power management System
- Energy Efficient
- Bridge
- Booster
- Selective pan detection
- Automatic preheating
- Keep warm
- Electronic child safety lock
- Residual heat indicator
- Safety switch off
- Adjustable power management: From 1.6 till 7.4kW
- 66.5×49.5 cm cut out
- **5 Years Warranty**
- **Designed & Manufactured In Italy**

Price Excluding VAT: 55,500,000 VND

UPSCALE



BARAZZA - BFREE SERIES

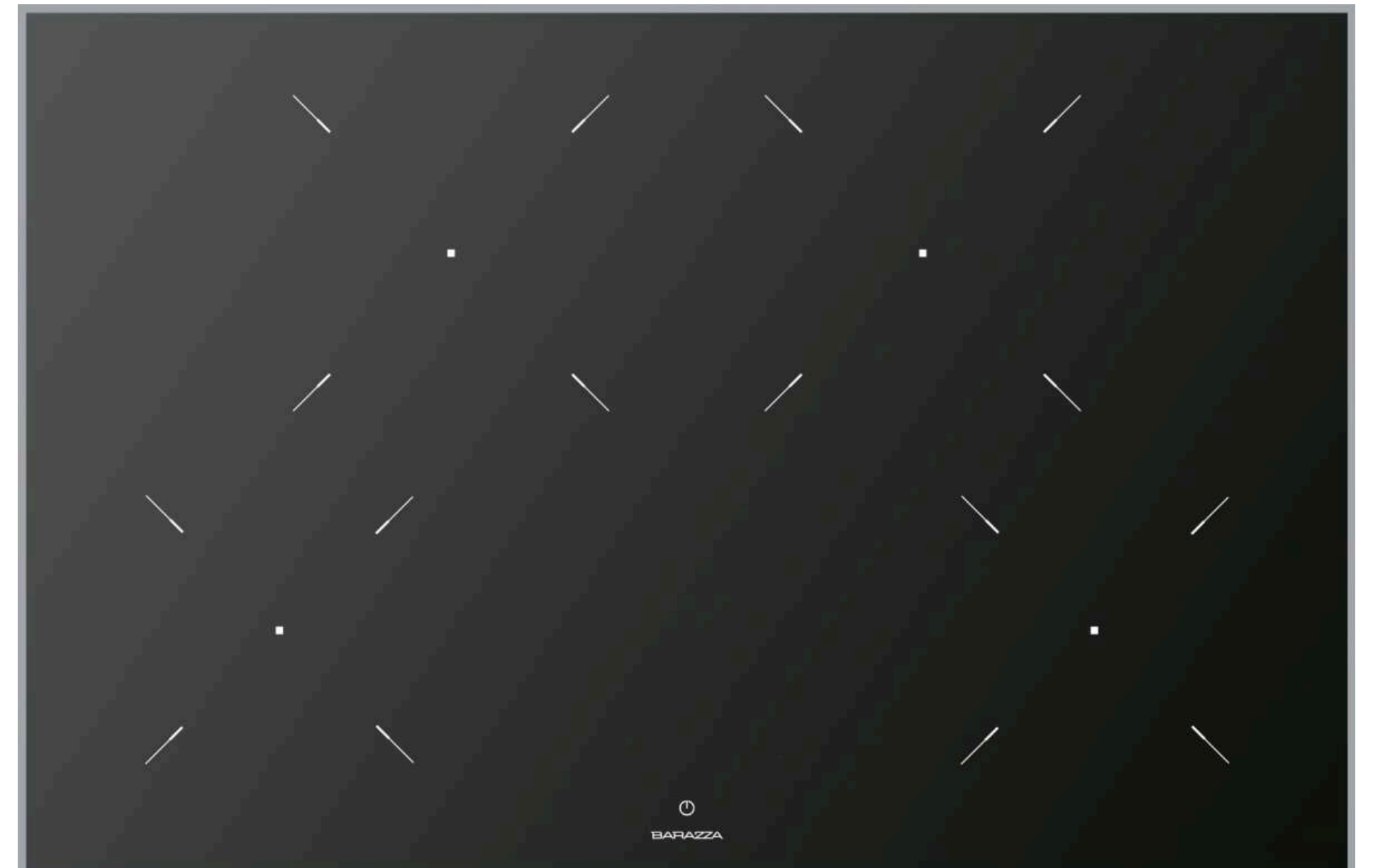
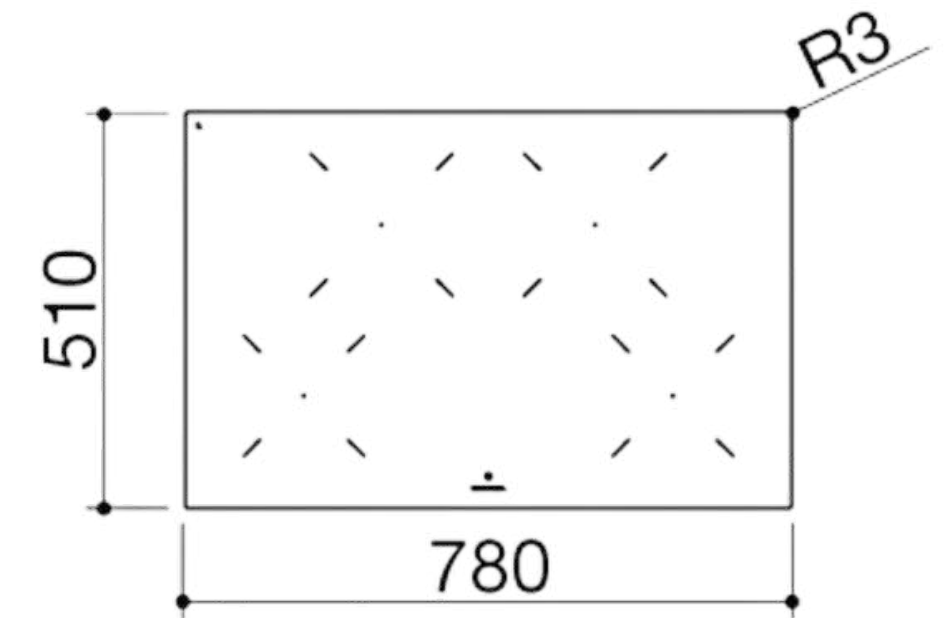
80 CM INDUCTION HOB - 1PIDC80N

Description

- 80 cm built in induction - 4 Zones
- Touch Control
- Power management System
- Energy Efficient
- Bridge
- Booster
- Chef Cook
- Timer
- Selective pan detection
- Automatic preheating
- Keep warm
- Electronic child safety lock
- Residual heat indicator
- Safety switch off
- Adjustable power management: From 1.6 till 7.4kW
- 76×49 cm cut out
- **5 Years Warranty**
- **Designed & Manufactured In Italy**

Price Excluding VAT: 35,000,000 VND

UPSCALE



BARAZZA - CITY SERIES

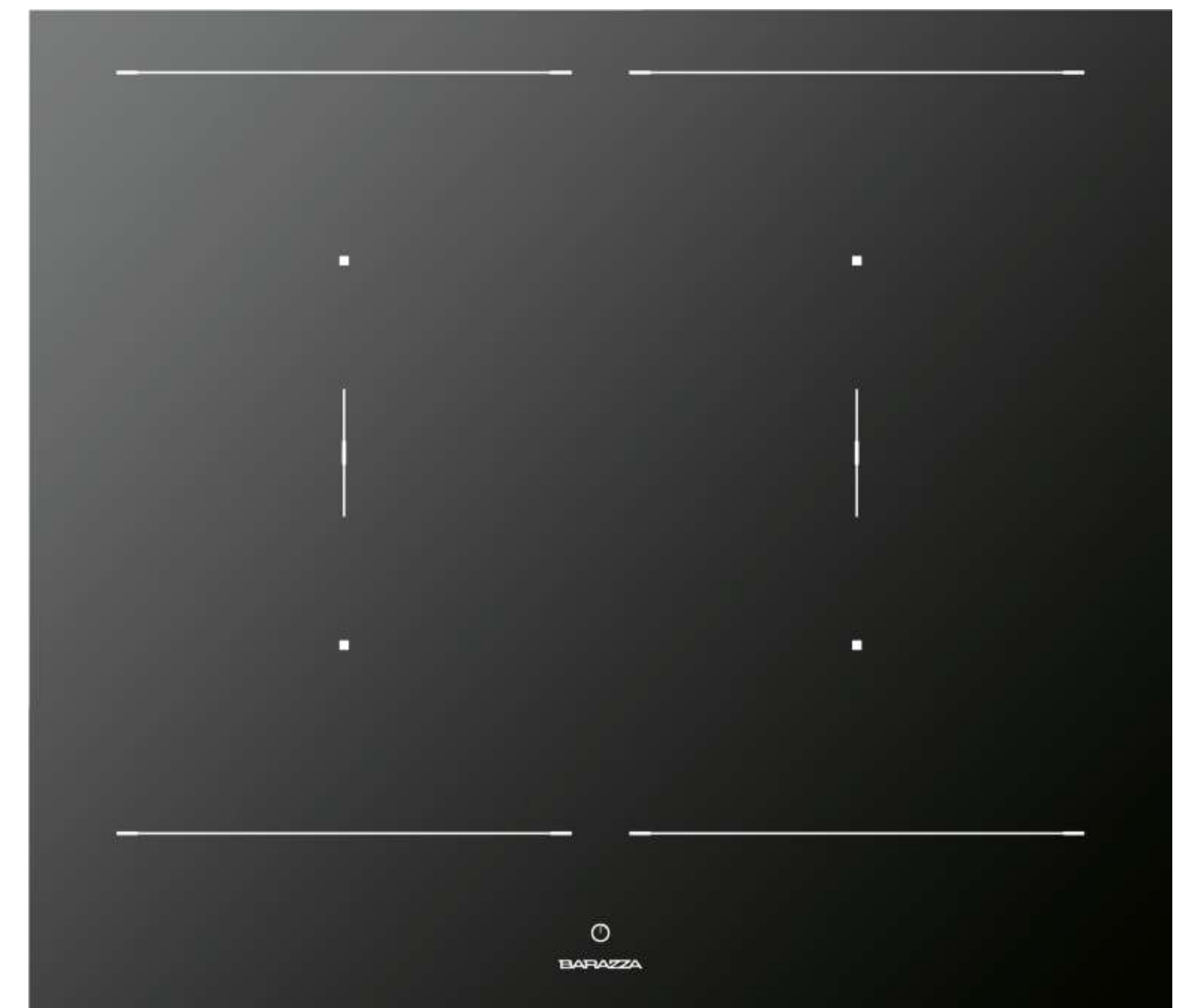
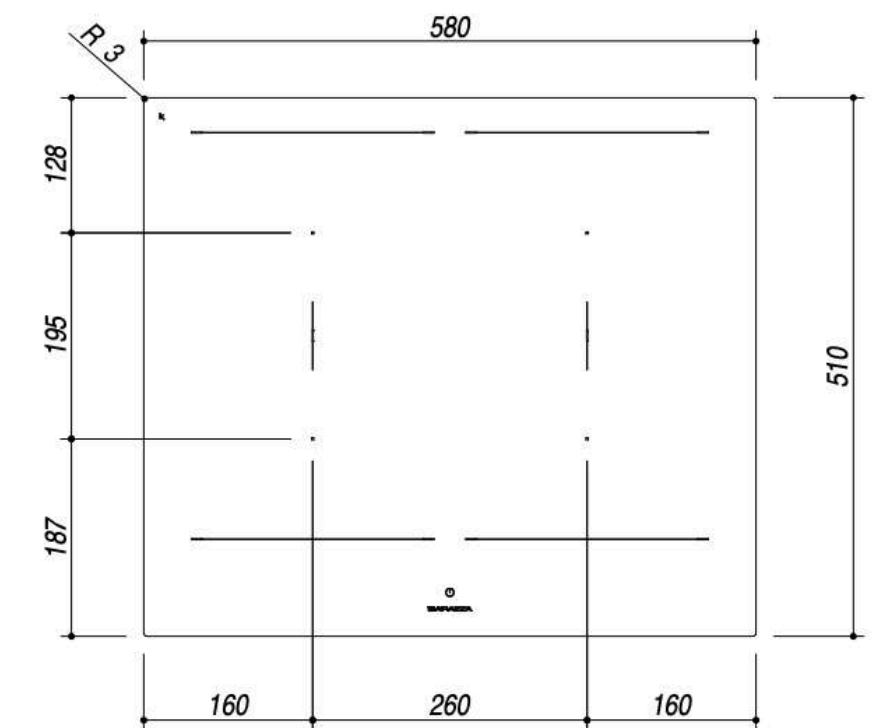
60 CM INDUCTION HOB - 1PIDC60N

Description

- 60 cm built in induction - 4 Zones
- Touch Control
- Functions: power management, Chef Cook, Bridge,
- Automatic pan recognition,
- Booster,
- Selective Pan Detection,
- Pause/ Reminder function
- Cooking end timer 1-600',
- Minute minder,
- Automatic preheating, keep warm
- Safety devices: electronic child safety lock, residual heat indicator, overflow alarm, safety switch-off
- Minimum pan diameter: \varnothing 110 mm
- Adjustable power levels: 1.4 – 1.5 – 1.6 – ... – 7.2 – 7.3 – 7.4 kW
- Maximum absorbed power: 7.4 kW
- Built-in Cut Out : 56×49 cm
- Flush-top: see technical sheet
- **5 Years Warranty**
- **Designed & Manufactured In Italy**

Price Excluding VAT: 35,000,000 VND

UPSCALE



FABITA - FI SERIES

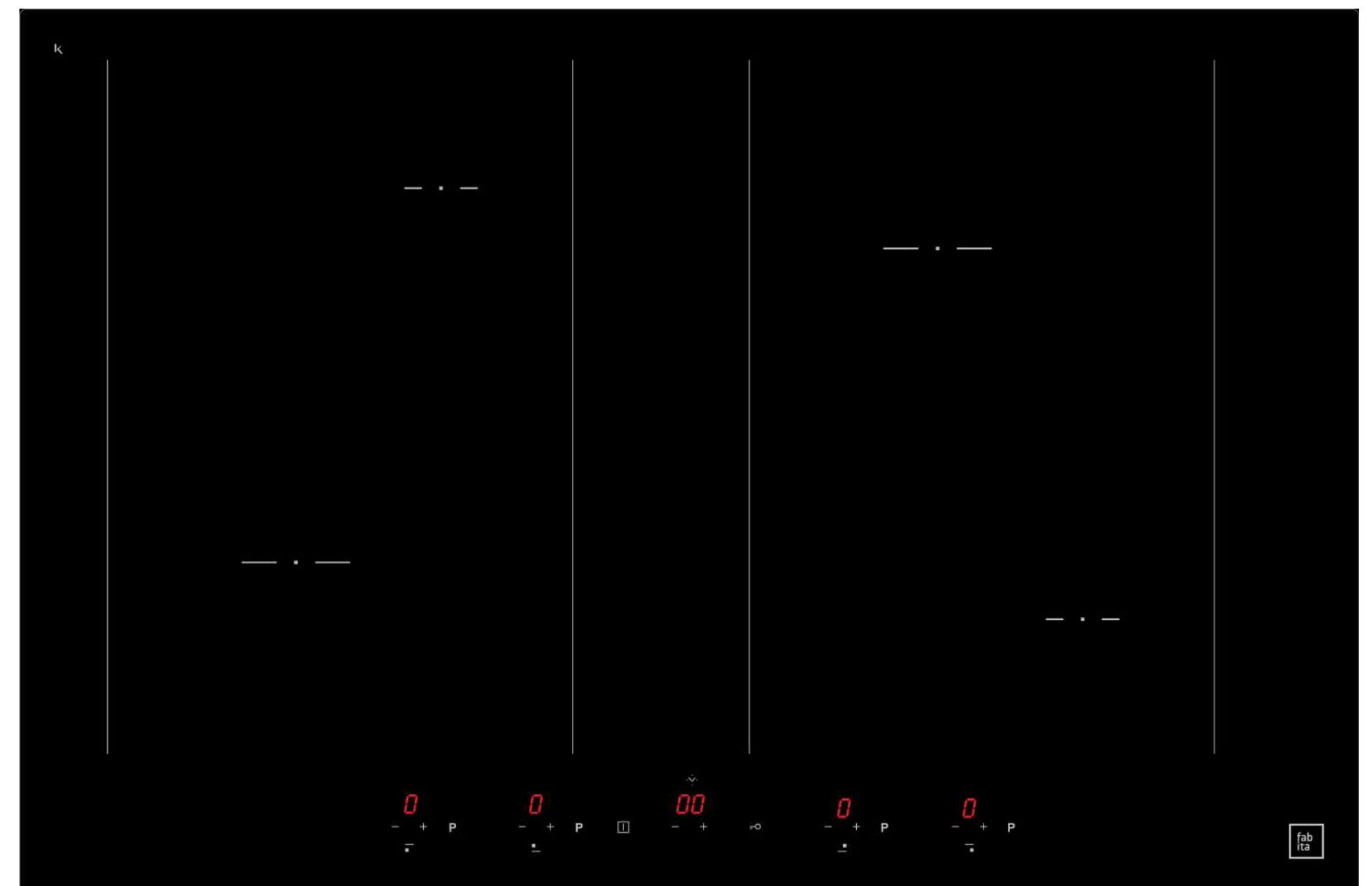
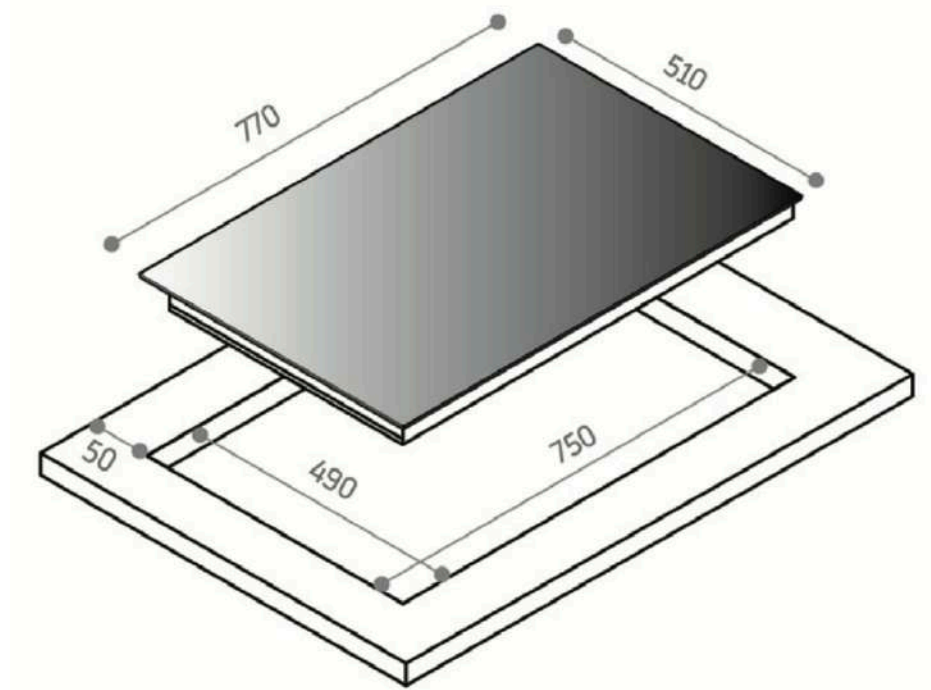
77 CM INDUCTION HOB - FI74TB

Description

- 77 cm built in induction - 4 Zones
- Touch Control
- 7400W
- 750 x 490
- 9 Power Levels
- Booster
- Pause - Recall
- Timer
- Selective pan detection
- Electronic child safety lock
- Residual heat indicator
- Safety switch off
- 75x49 cm cut out
- **5 Years Warranty**
- **Designed & Manufactured In Italy**

Price Excluding VAT: 19,500,000 VND

UPSCALE



FABITA - FI SERIES

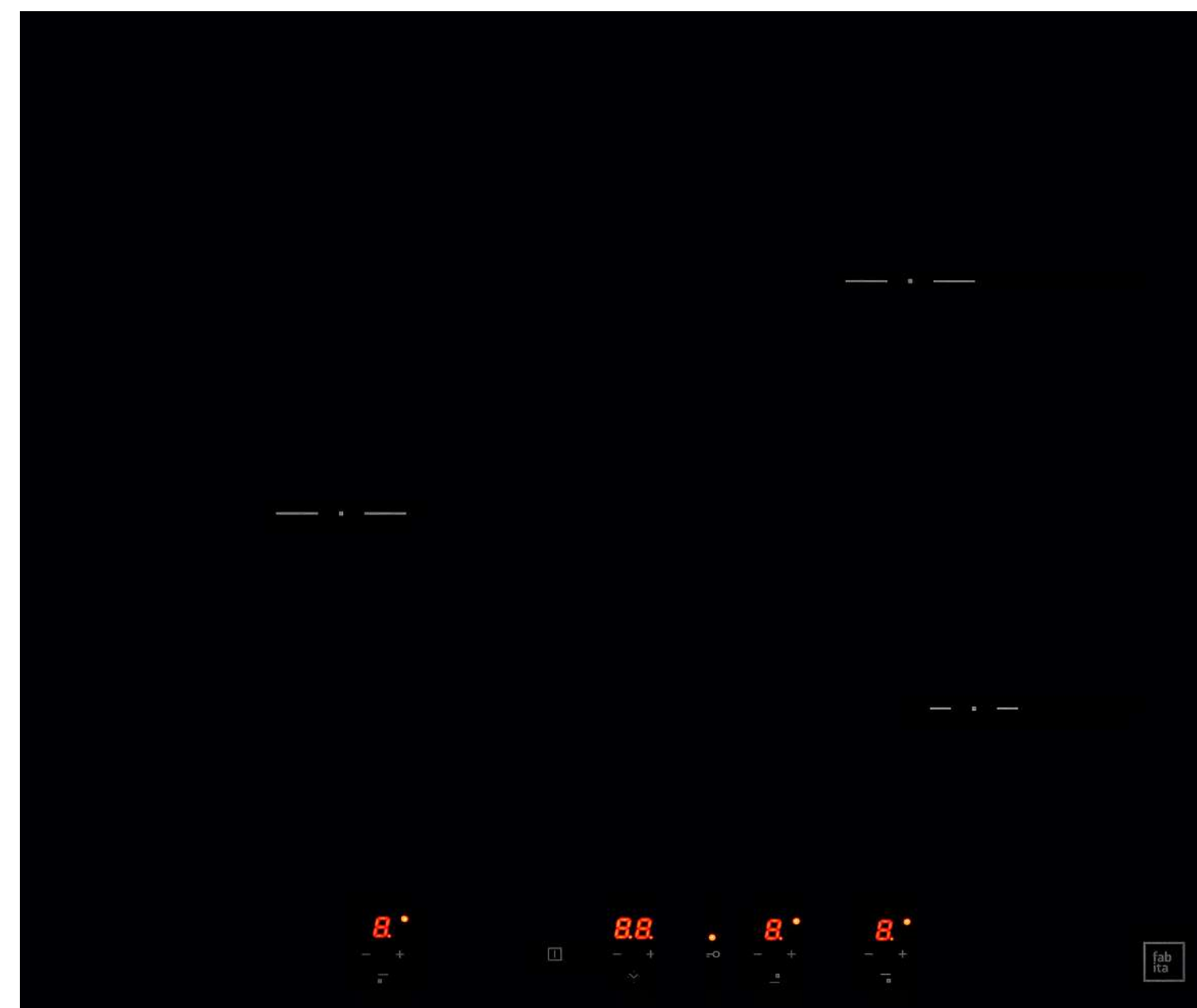
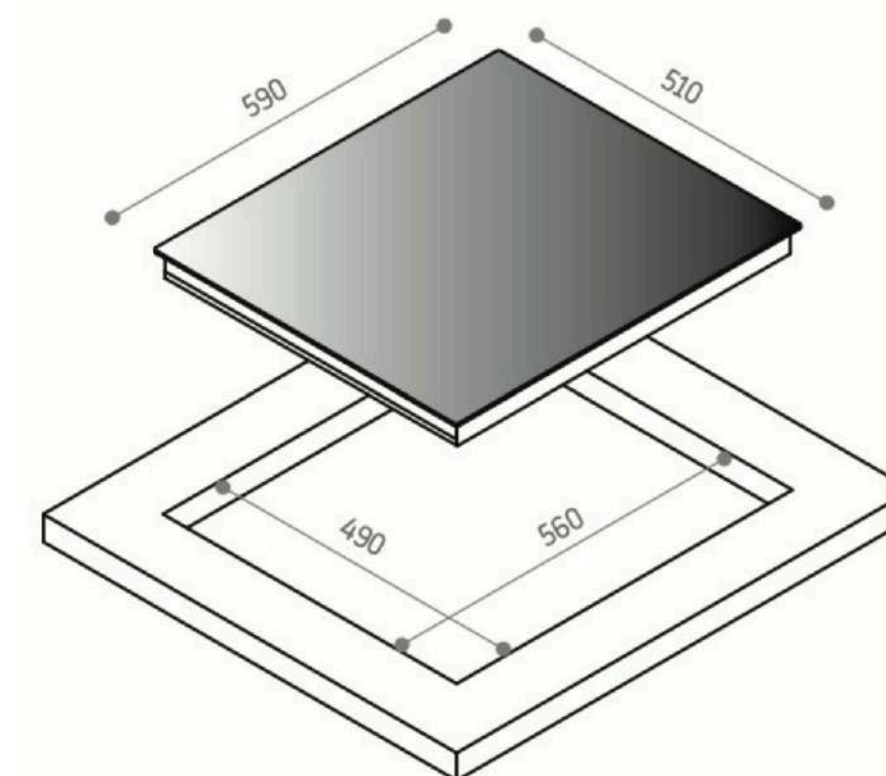
60 CM INDUCTION HOB - FI63TB

Description

- 60 cm built in induction - 3 Zones
- Touch Control
- 5400W
- 580 x 510
- 9 Power Levels
- Booster
- Pause - Recall
- Timer
- Selective pan detection
- Electronic child safety lock
- Residual heat indicator
- Safety switch off
- 56×49 cm cut out
- **5 Years Warranty**
- **Designed & Manufactured In Italy**

Price Excluding VAT: 16,500,000 VND

UPSCALE



FABITA - ORDINE SERIES

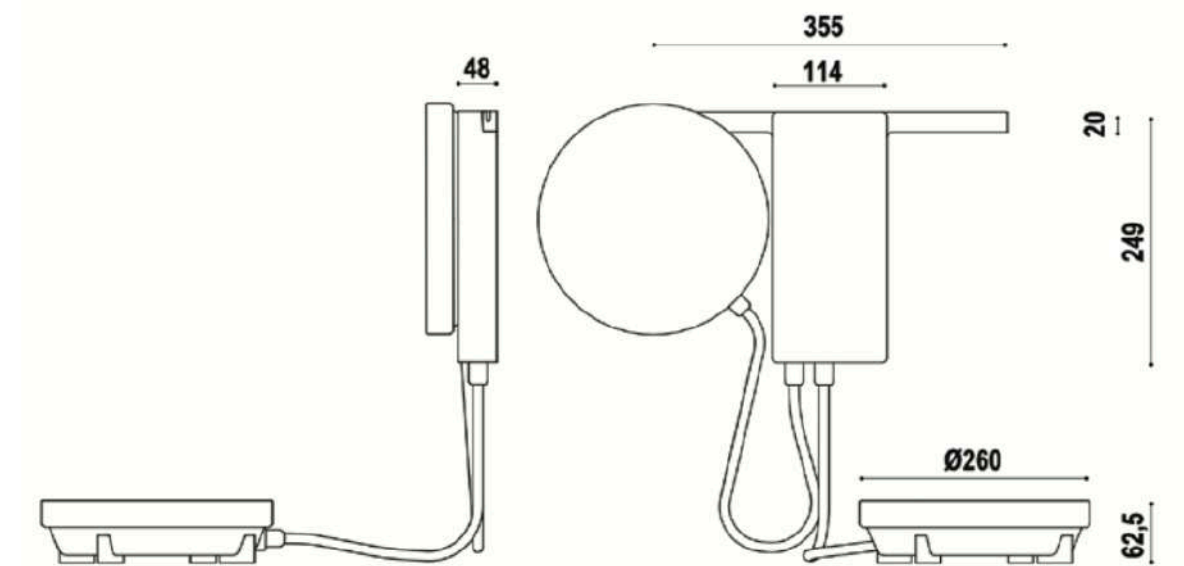
WALL MOUNT INDUCTION - ORDINE BLACK

Description

- Wall Mount Induction
- Black with Chrome Rings
- 2 Zones
- Touch Control
- 3600 W
- 9 Power Levels
- Pause - Recall
- Timer
- Selective pan detection
- Electronic child safety lock
- Residual heat indicator
- Eurokera Glass
- Heavy Duty Cables
- Includes Wall Bracket
- Designed By Adriano
- **5 Years Warranty**
- **Designed & Manufactured In Italy**

Price Excluding VAT: 19,500,000 VND

UPSCALE



adriano design®



FABITA - ORDINE SERIES

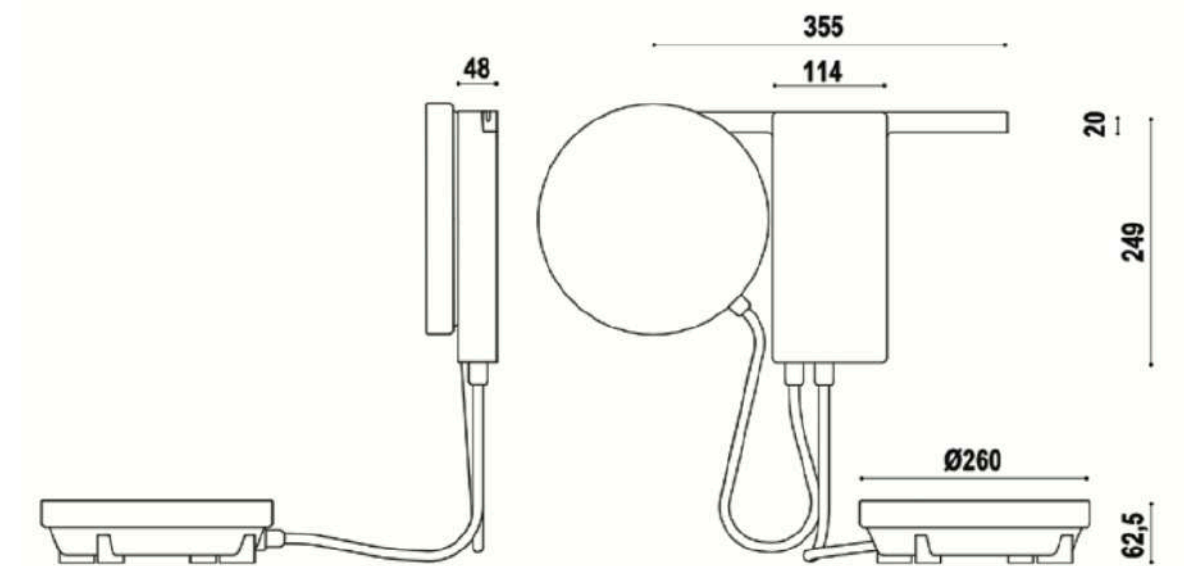
WALL MOUNT INDUCTION - ORDINE WHITE

Description

- Wall Mount Induction
- White with Chrome Rings
- 2 Zones
- Touch Control
- 3600 W
- 9 Power Levels
- Pause - Recall
- Timer
- Selective pan detection
- Electronic child safety lock
- Residual heat indicator
- Eurokera Glass
- Heavy Duty Cables
- Includes Wall Bracket
- Designed By Adriano
- **5 Years Warranty**
- **Designed & Manufactured In Italy**

Price Excluding VAT: 22,500,000 VND

UPSCALE



adriano design®



FABITA - ORDINE SERIES

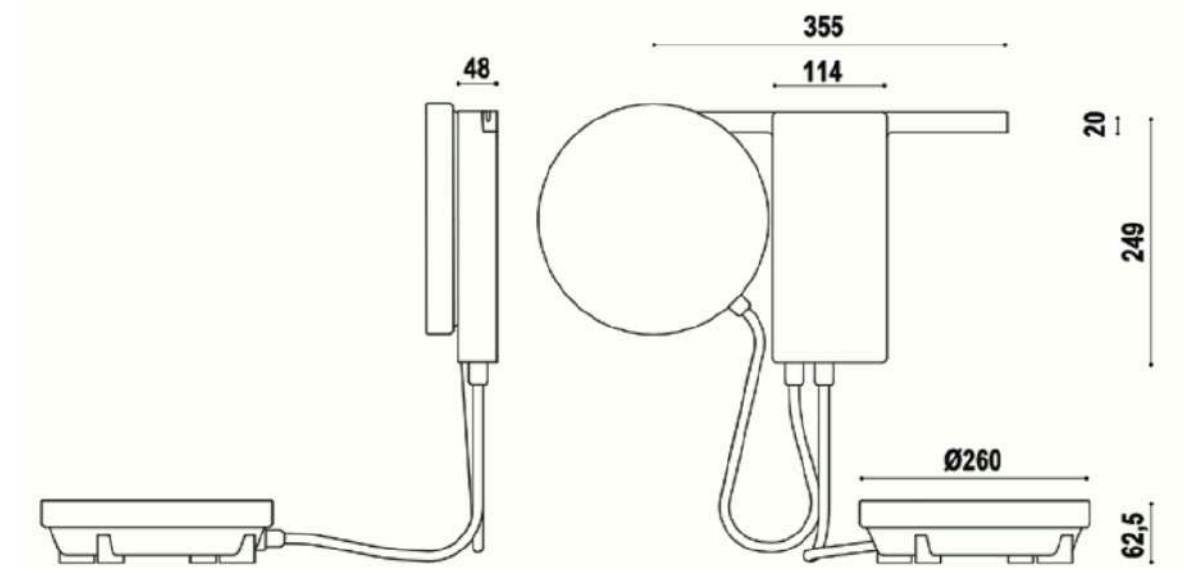
WALL MOUNT INDUCTION - ORDINE WOOD

Description

- Wall Mount Induction
- Black with Copper Rings & Wood Panel
- 2 Zones
- Touch Control
- 3600 W
- 9 Power Levels
- Pause - Recall
- Timer
- Selective pan detection
- Electronic child safety lock
- Residual heat indicator
- Eurokera Glass
- Heavy Duty Cables
- Includes Wall Bracket
- Designed By Adriano
- **5 Years Warranty**
- **Designed & Manufactured In Italy**

Price Excluding VAT: 22,500,000 VND

UPSCALE



adriano design®



FABITA - ORDINE SERIES

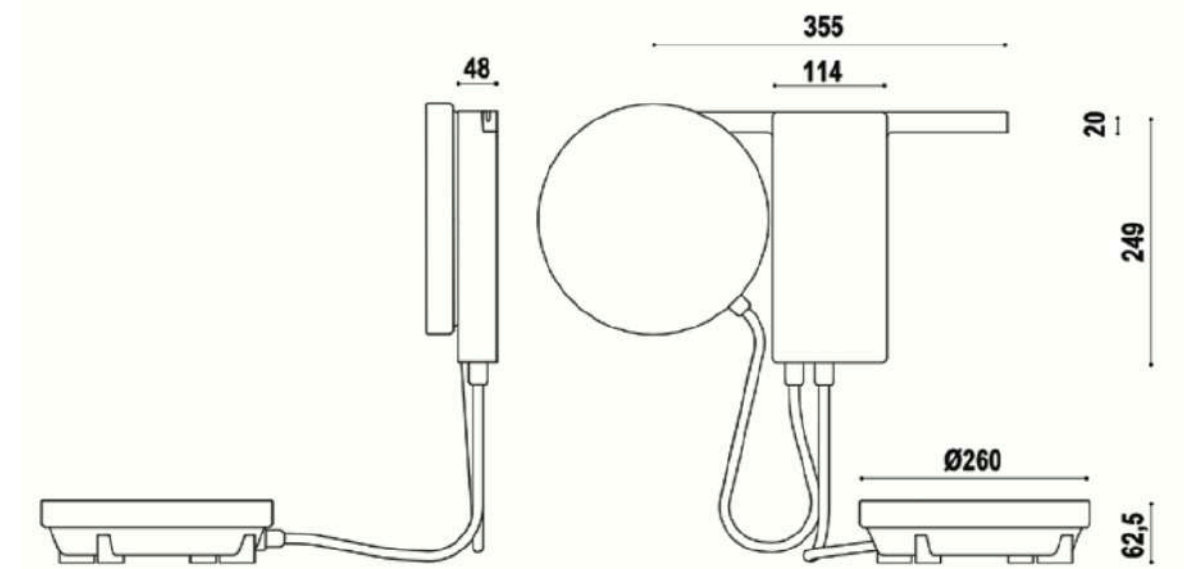
WALL MOUNT INDUCTION - ORDINE ZEBRA

Description

- Wall Mount Induction
- Black with Zebra Stripes
- 2 Zones
- Touch Control
- 3600 W
- 9 Power Levels
- Pause - Recall
- Timer
- Selective pan detection
- Electronic child safety lock
- Residual heat indicator
- Eurokera Glass
- Heavy Duty Cables
- Includes Wall Bracket
- Designed By Adriano
- **5 Years Warranty**
- **Designed & Manufactured In Italy**

Price Excluding VAT: 24,500,000 VND

UPSCALE



adriano design®



FABITA - ORDINE SERIES

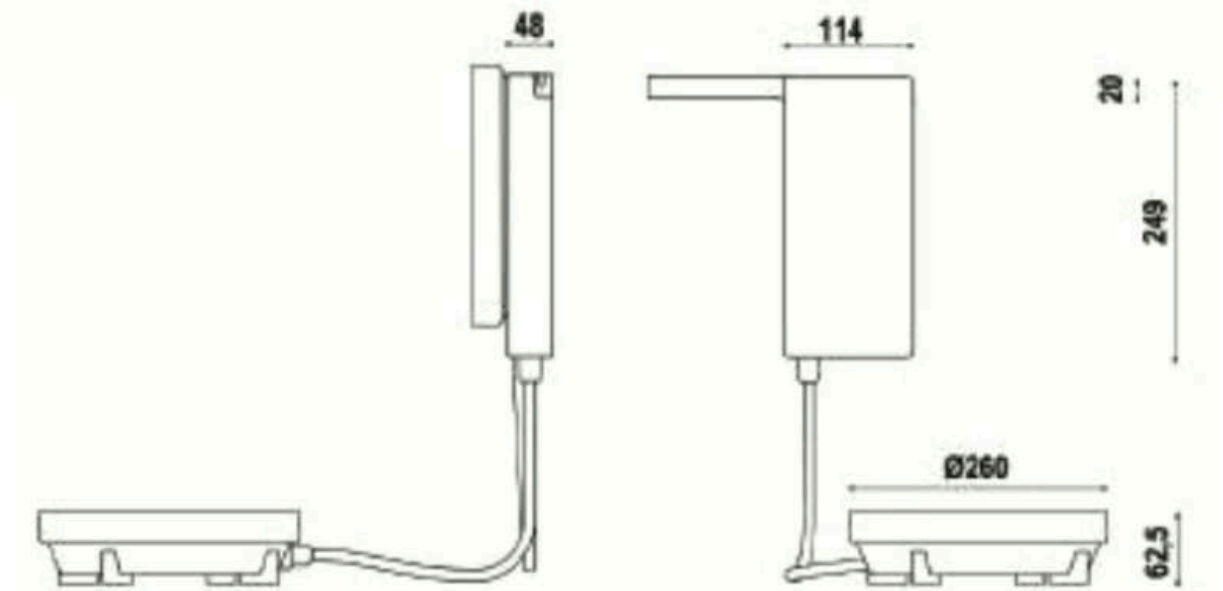
WALL MOUNT INDUCTION - ORDINE MONO

Description

- Wall Mount Induction
- Black with Chrome Ring
- 1 Zone
- Touch Control
- 1800 W
- 9 Power Levels
- Pause - Recall
- Timer
- Selective pan detection
- Electronic child safety lock
- Residual heat indicator
- Eurokera Glass
- Heavy Duty Cables
- Includes Wall Bracket
- Designed By Adriano
- **5 Years Warranty**
- **Designed & Manufactured In Italy**

Price Excluding VAT: 14,500,000 VND

UPSCALE



adriano design®



UPSCALE

HOODS - **ISLAND**
MÁY HÚT MÙI **ĐẢO**

PURA SERIES - Limited Edition ISLAND COOKER HOOD - PURA ISOLA

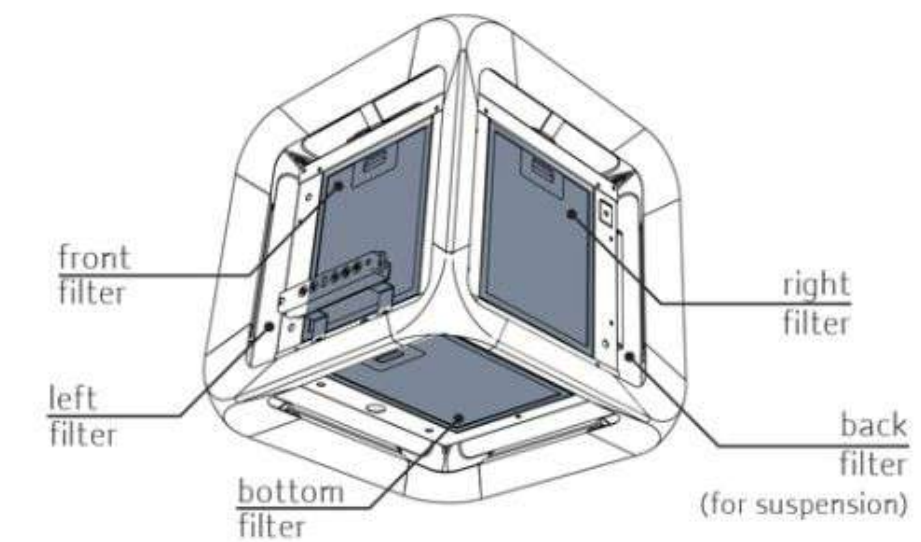
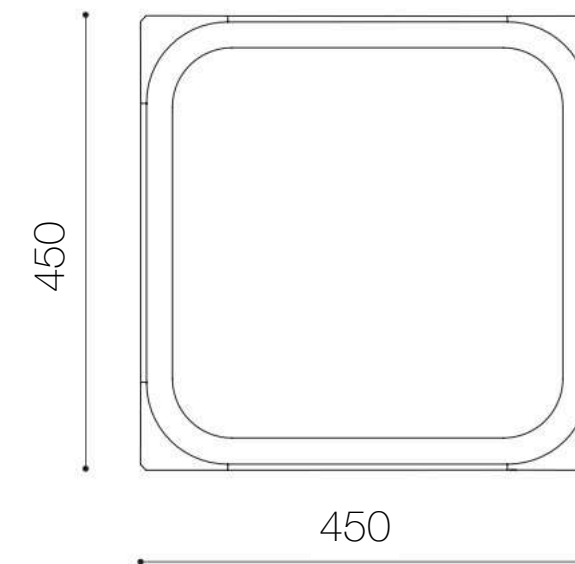
UPSCALE

Description

- Island Hood
- 45 x 45 cm
- 5 Filters - 360 Degree Filtration.
- Customizable Color
- LED Lights 2 x 4 W
- Parameter Filtering
- Duct & Filtering Version
- Active Carbon Filters
- 3 Speed + Booster
- 759 M3/Hour
- Energy Efficient
- 5 Years Warranty
- Designed in Italy - Manufactured In Brazil

Ask for full list of colors

Price Exl. VAT- Limited Edition: 88,500,000 VND



adriano design®



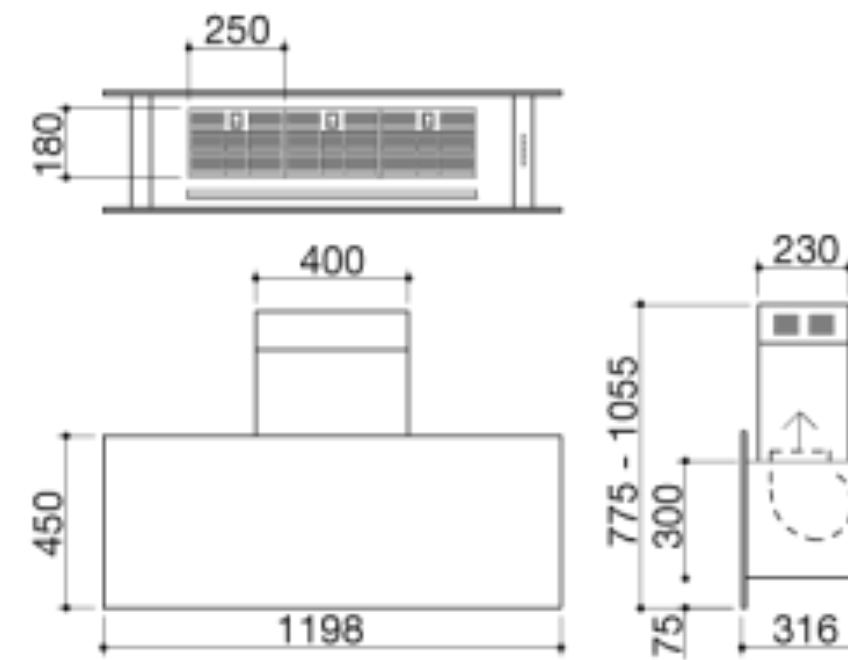
BARAZZA - UNIQUE SERIES

ISLAND COOKER HOOD - UNIQUE 120

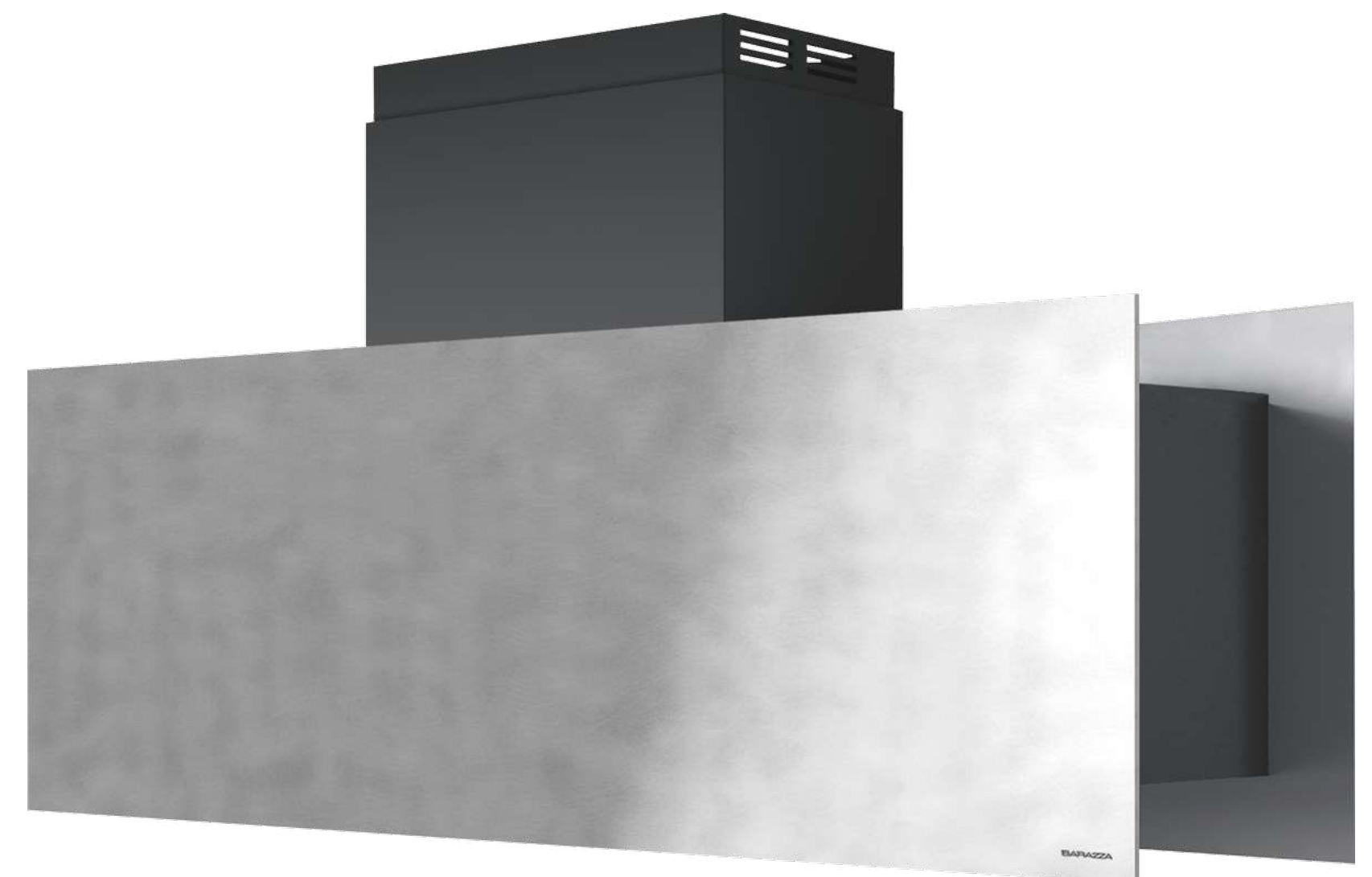
Description

- Island Hood
- 90 | 120 | 30 cm
- High Quality Stainless Steel
- LED STRIP 4000K
- Touch Control
- Duct & Filtering Version
- Active Carbon Filters
- 3 Speed + Booster
- 800 M3/Hour
- Energy Efficient
- **5 Years Warranty**
- **Designed & Manufactured In Italy**
- Available in 90 & 120

Price Exl. VAT- 90 cm: 78,000,000 VND
Price Exl. VAT- 120 cm : 88,000,000 VND



UPSCALE



BARAZZA - FUSION SERIES

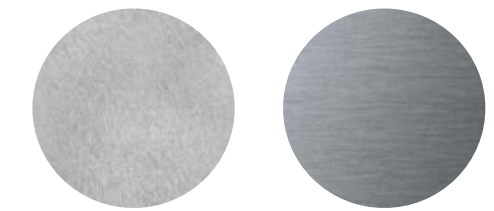
WALL MOUNT COOKER HOOD - FUSION

Description

- Optional filter extraction
- Speeds: 3 + intensive speed
- Duct exit: Ø 150 mm + reducer Ø 120 mm
- Lighting: LED bar 3000 K
- Filters: stainless steel
- Functions: automatic start sensor at 40° C, filter saturation indicator, air exchange
- Energy rating: B
- Remote control included
- Maximum absorbed power: 0.3 kW
- Air-flow: 1000 m³/h
- Pressure: 440 Pa
- Noise level: 41-72 Lw (dBA)
- Minimum shelf length: 90 cm
- Maximum shelf length: 240 cm
- Shelf thickness: 0.8 cm
- Dowel pitch: 75 cm
- **5 Years Warranty**
- **Designed & Manufactured In Italy**

Price Excluding VAT: ASK FOR PRICE

UPSCALE



Mat Stainless

Steel



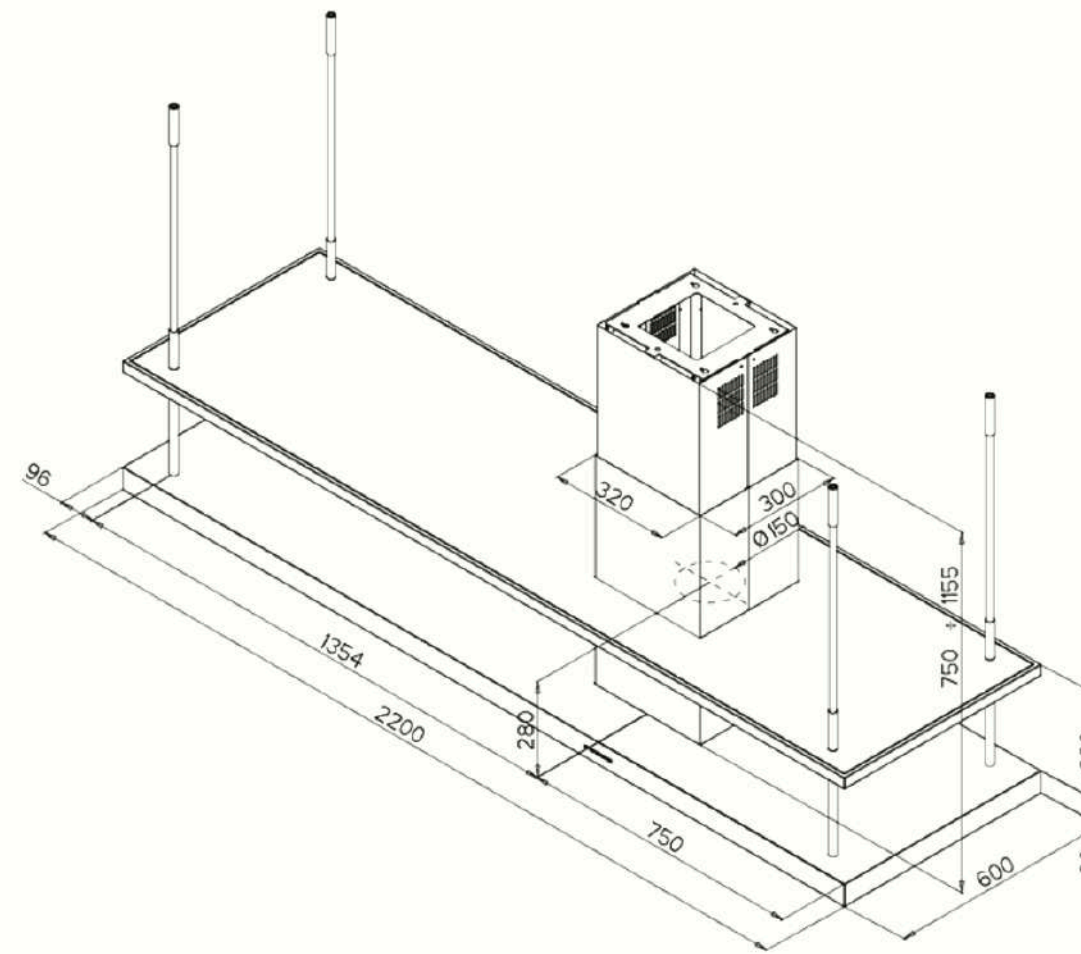
VELACUCINA - BUTTERFLY SERIES

ISLAND COOKER HOOD - BUTTERFLY 220 CM

UPSCALE

Description

- Island Hood
- 220 x 60 cm
- Full Body Inox
- Customizable Color
- Large LED Lights 4 x 8.2 W
- Parameter Filtering
- Duct & Filtering Version
- Plasma Ready
- Active Carbon Filters
- Optional Remote Control
- Noise Reduction System
- 3 Speed + Booster
- 844 M3/Hour
- Energy Efficient
- Stainless Steel Supporting Rods
- **5 Years Warranty**
- **Designed & Manufactured In Italy**
- **Ask For Special Finishing Price**



Price Excluding VAT: 113,500,000 VND

VELACUCINA - OFIUCO SERIES

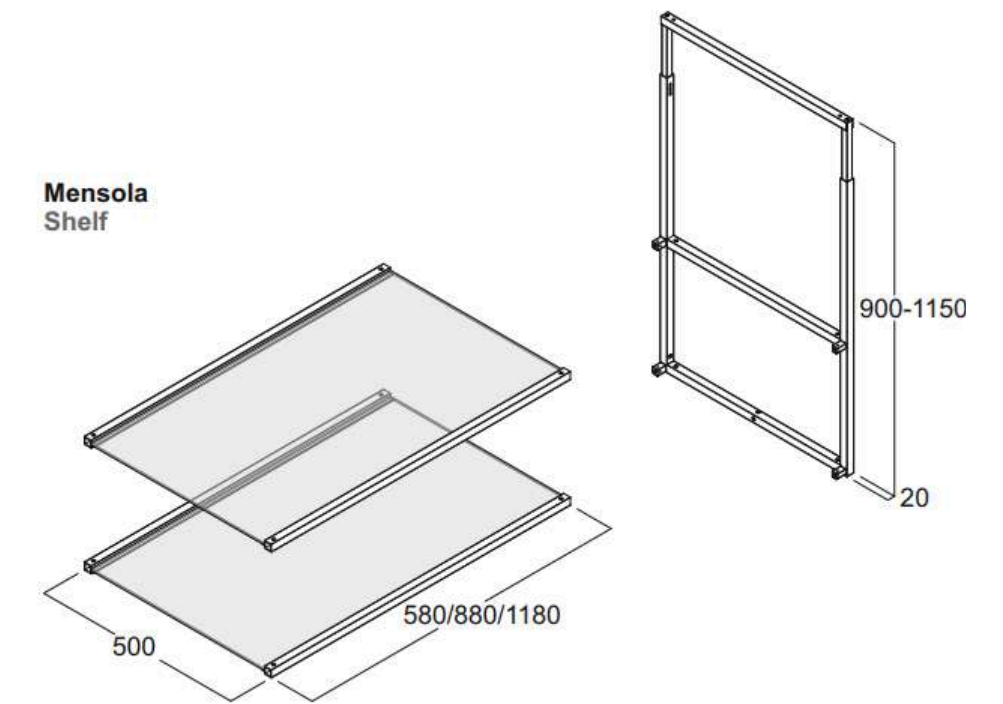
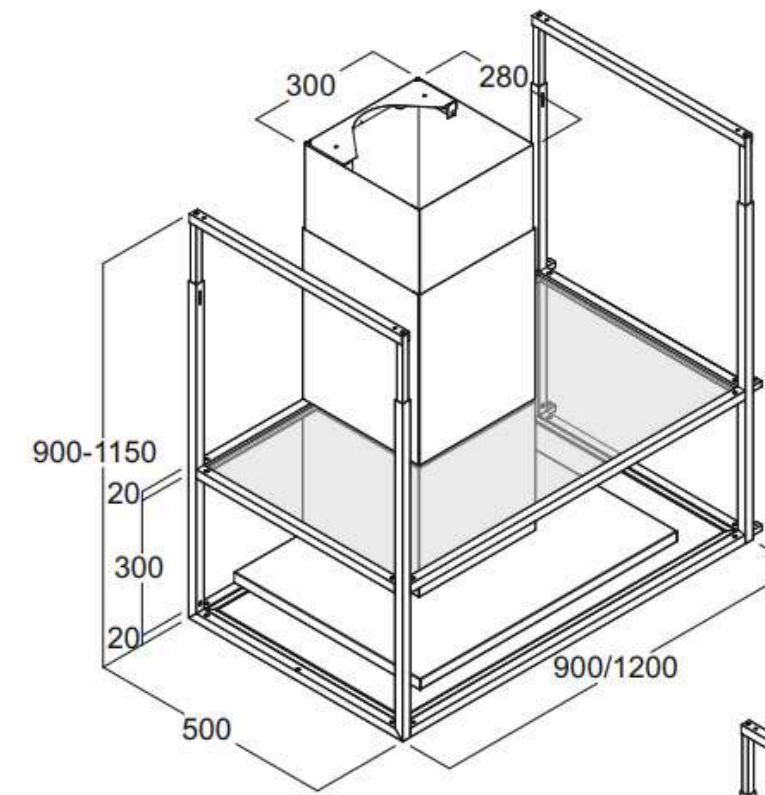
WALL MOUNT COOKER HOOD - OFIUCO 180 cm

UPSCALE

Description

- Wall Mount Hood
- 180 | 220 | 240 x 60 cm
- High Quality Stainless Steel & Glass
- LED Lights 2 x 8 W
- Touch Control
- Duct & Filtering Version
- Active Carbon Filters
- 3 Speed + Booster
- 690 M3/Hour
- Energy Efficient
- **5 Years Warranty**
- **Designed & Manufactured In Italy**
- Available in 90 cm - 120 cm - 220 cm

Price Excluding VAT 180 CM: 85,000,000 VND
Price Excluding VAT 220 CM: 95,000,000 VND
Price Excluding VAT 240 CM: 105,000,000 VND



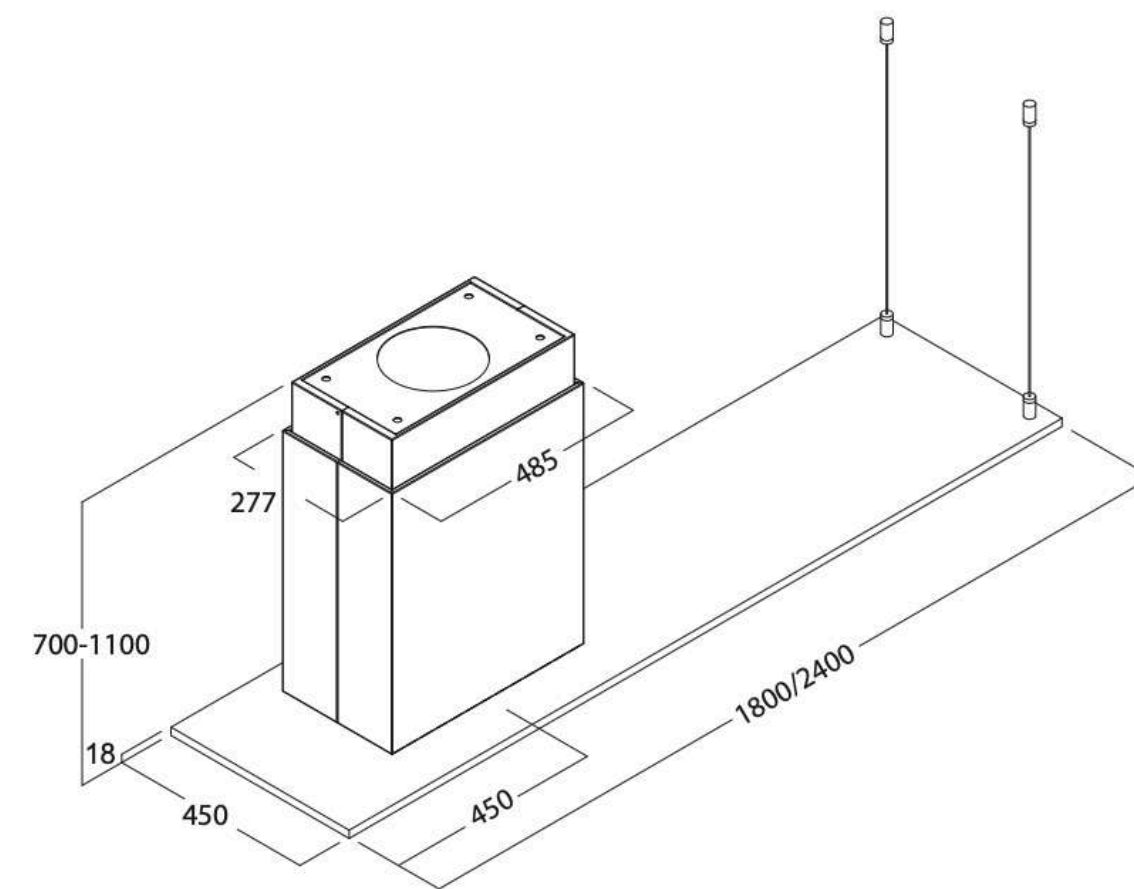
VELACUCINA - BUTTERFLY SERIES

ISLAND COOKER HOOD - BUTTERFLY SLIM 180 | 240 CM

UPSCALE

Description

- Island Hood
- 180 | 240 x 60 cm
- Full Body Inox
- Customizable Color
- Large LED Lights 4 x 16 W (Dimmable)
- Parameter Filtering
- Duct & Filtering Version
- Plasma Ready
- Active Carbon Filters
- Optional Remote Control
- Noise Reduction System
- 3 Speed + Booster
- 750 M3/Hour
- Energy Efficient
- Steel cables
- **5 Years Warranty**
- **Designed & Manufactured In Italy**
- **Ask For Special Finishing Price**



Price Exl. VAT- 180cm: 72,000,000 VND
Price Exl. VAT- 240cm: 108,500,000 VND

VELACUCINA - BUTTERFLY SERIES

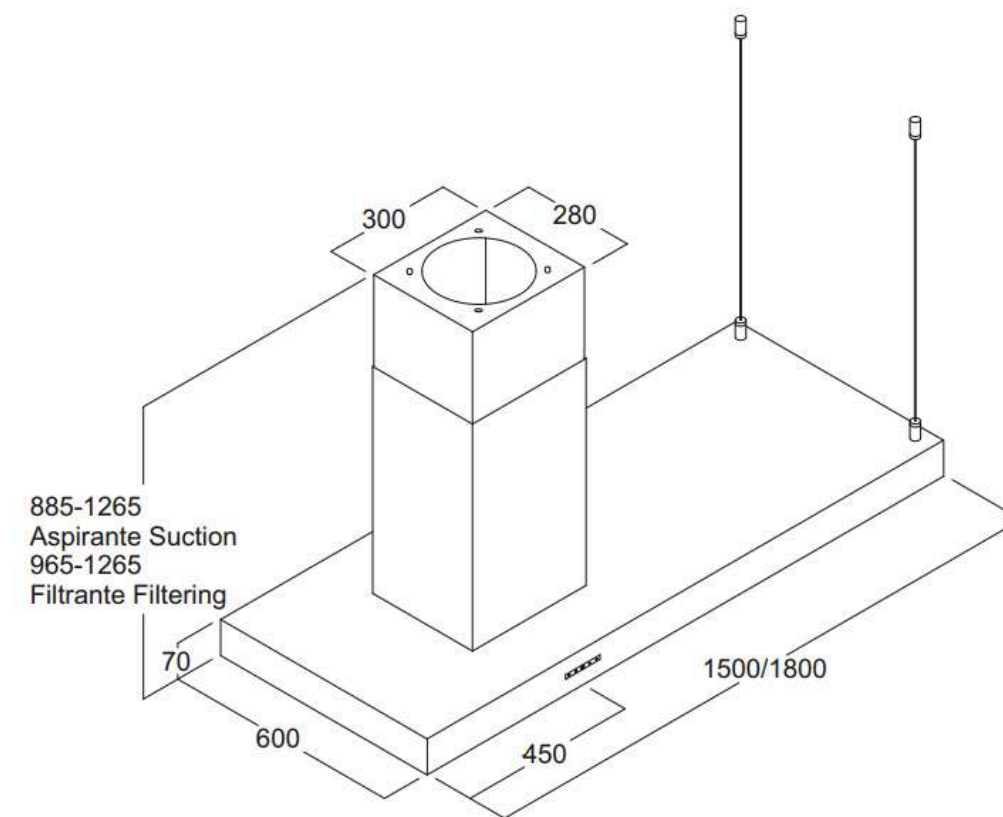
ISLAND COOKER HOOD - BUTTERFLY 150 | 180 CM

UPSCALE

Description

- Island Hood
- 150 | 180 x 60 cm
- Full Body Inox
- Customizable Color
- Large LED Lights 8 x 2.2 W
- Parameter Filtering
- Duct & Filtering Version
- Plasma Ready
- Active Carbon Filters
- Optional Remote Control
- Noise Reduction System
- 3 Speed + Booster
- 800 M3/Hour
- Energy Efficient
- Stainless Steel Supporting Rods
- **5 Years Warranty**
- **Designed & Manufactured In Italy**
- **Ask For Special Finishing Price**

Price Exl. VAT- 150cm: 68,000,000 VND
Price Exl. VAT- 180cm: 77,500,000 VND



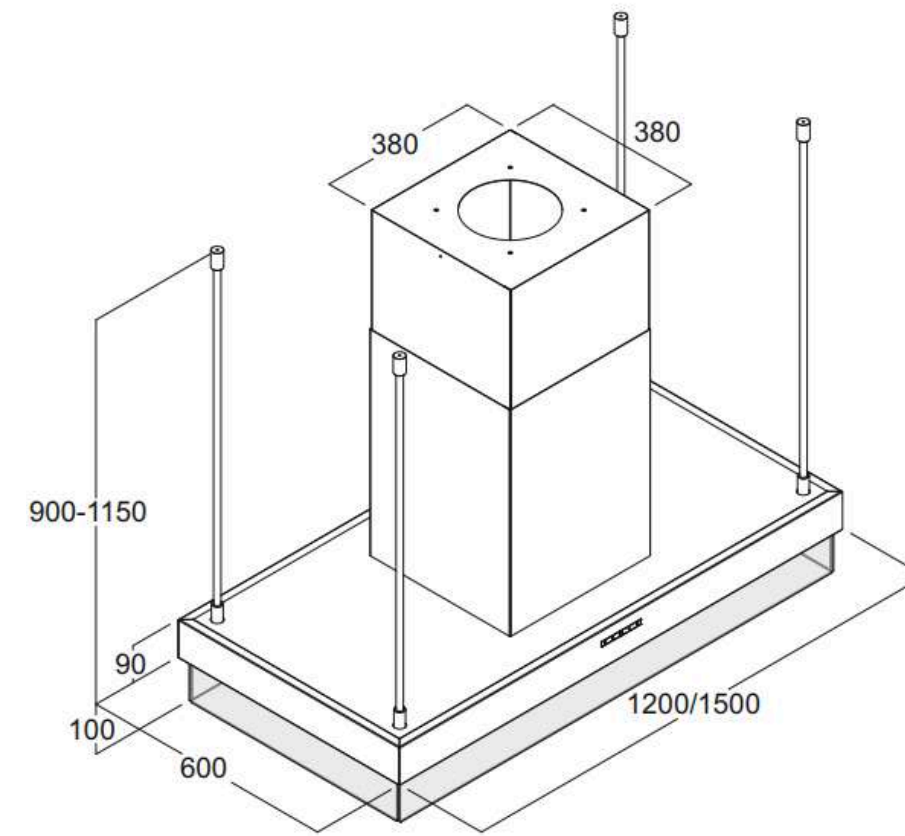
VELACUCINA - BUTTERFLY SERIES

ISLAND COOKER HOOD - PAVO 120 | 150 CM

UPSCALE

Description

- Island Hood
- 150 x 60 cm
- Full Body Inox
- Customizable Color
- Dimmable LED Lights 4 x 2.2 W
- Parameter Filtering
- Duct & Filtering Version
- Plasma Ready
- Active Carbon Filters
- Optional Remote Control
- Noise Reduction System
- 3 Speed + Booster
- 800 M3/Hour
- Energy Efficient
- Stainless Steel Supporting Rods
- **5 Years Warranty**
- **Designed & Manufactured In Italy**
- **Ask For Special Finishing Price**



Price Exl. VAT- 120cm: 58,000,000 VND
Price Exl. VAT- 150cm: 65,000,000 VND

VELACUCINA - LEO SERIES

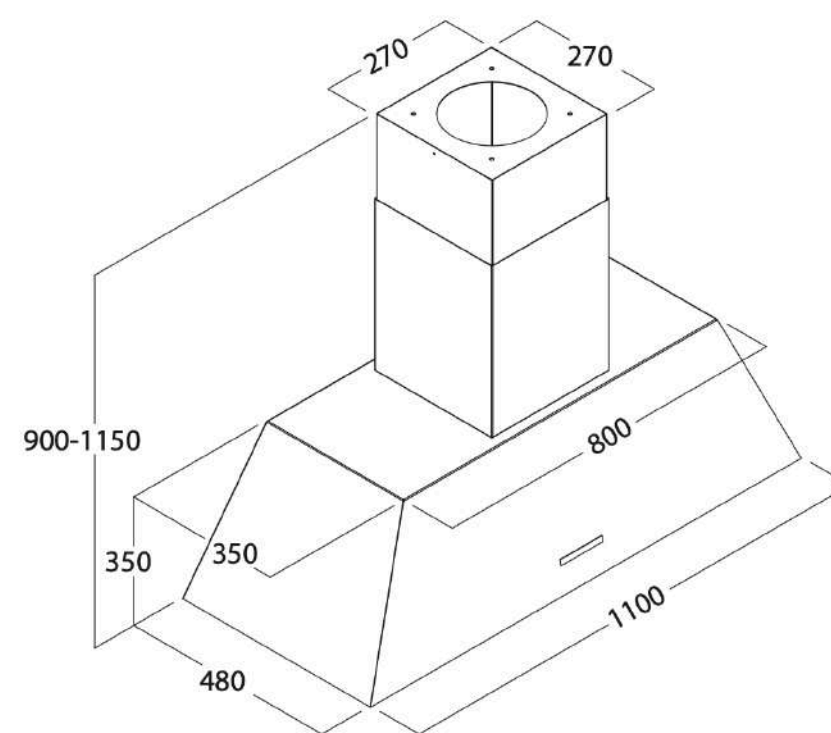
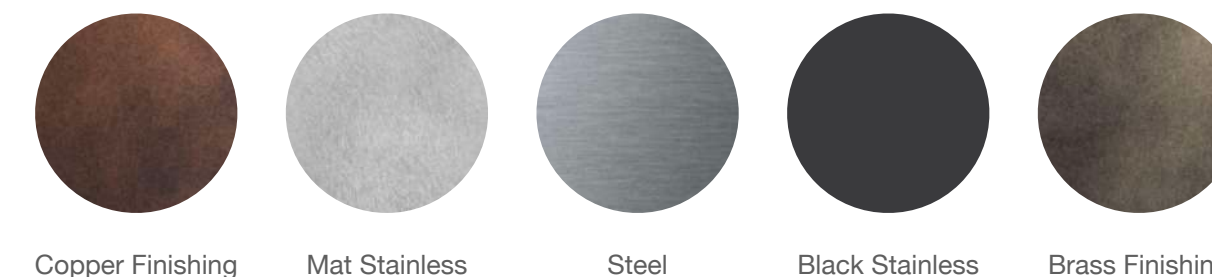
ISLAND COOKER HOOD - LEO 110 CM

UPSCALE

Description

- Island Hood
- 110 x 60 cm
- High Quality Stainless Steel with Customizable Colors
- Dimmable LED Light 1x12W
- Touch Control
- Remote Control
- Duct & Filtering Version
- Active Carbon Filters
- 3 Speed + Booster
- 750 M3/Hour
- Pressure 570 (Pa)
- Energy Efficient
- **5 Years Warranty**
- **Designed & Manufactured In Italy**

Price Excl. VAT (INOX): 58,500,000 VND
Price Excl. VAT (BLACK): 64,500,000 VND
Price Excl. VAT (Customized Color): 78,500,000 VND



VELACUCINA - CHAMELEON

ISLAND COOKER HOOD - 90 / 120 cm

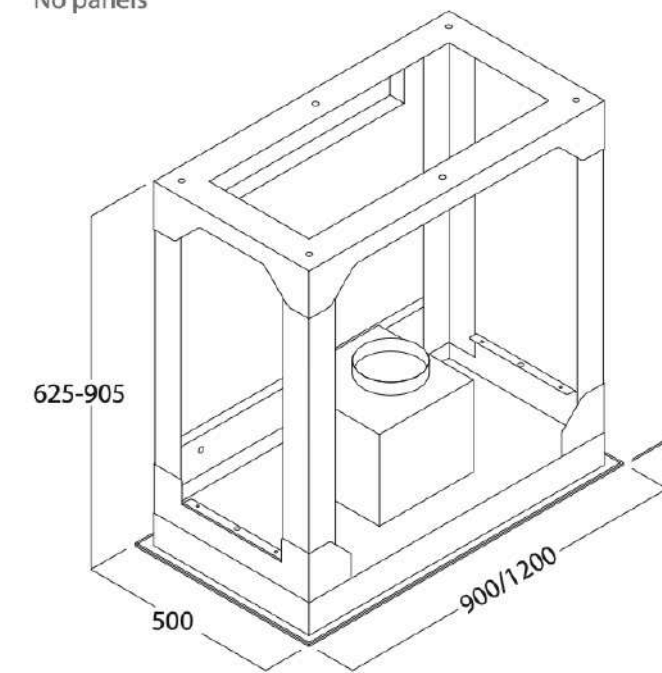
Description

- Island Hood
- 90 / 120 cm
- High Quality Stainless Steel with Customizable Colors
- Dimmable LED Light 37 W
- Touch Control
- Remote Control
- Duct & Filtering Version
- Active Carbon Filters
- 3 Speed + Booster
- 750 M3/Hour
- Pressure 570 (Pa)
- Energy Efficient
- **5 Years Warranty**
- **Designed & Manufactured In Italy**

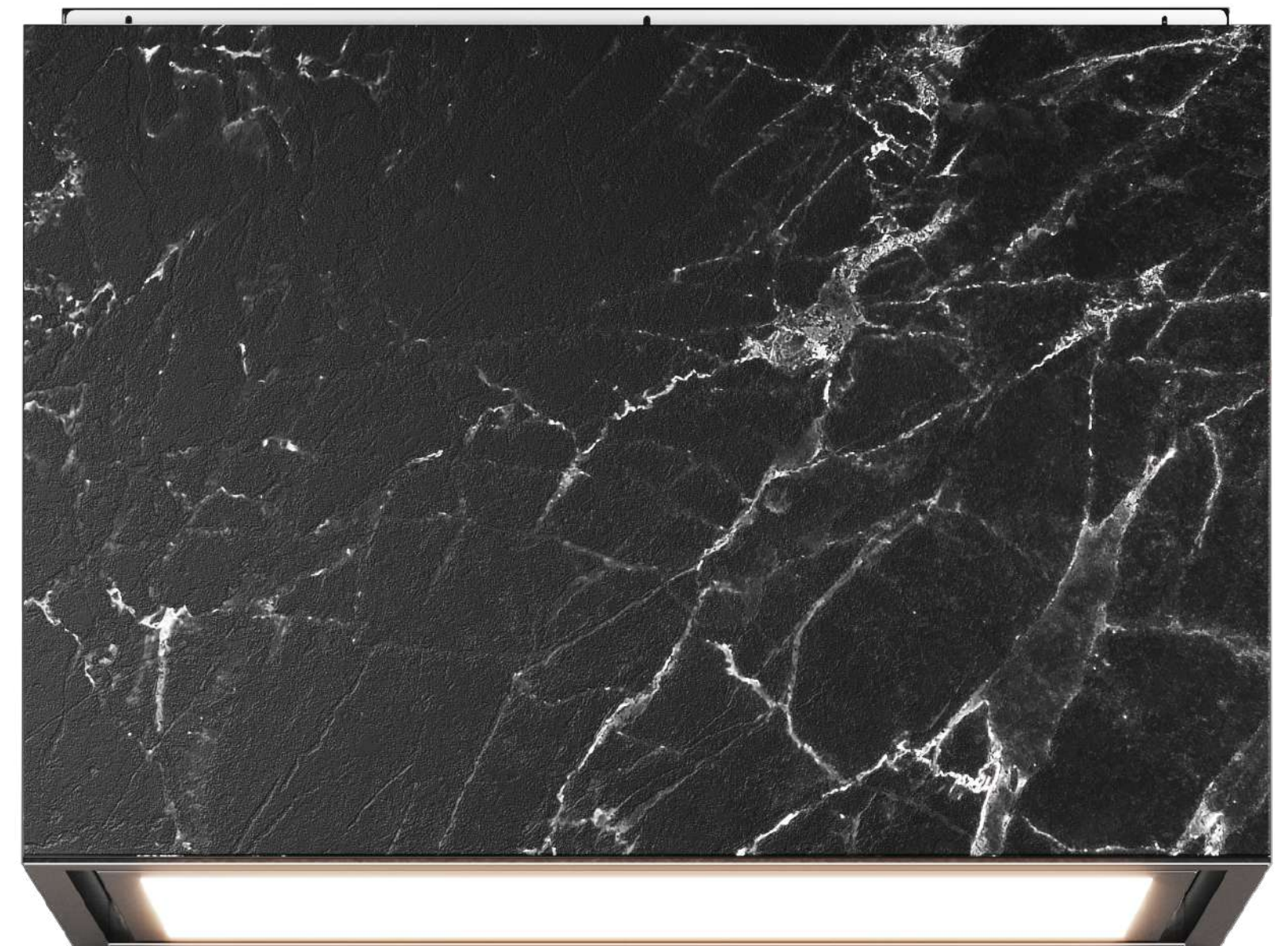
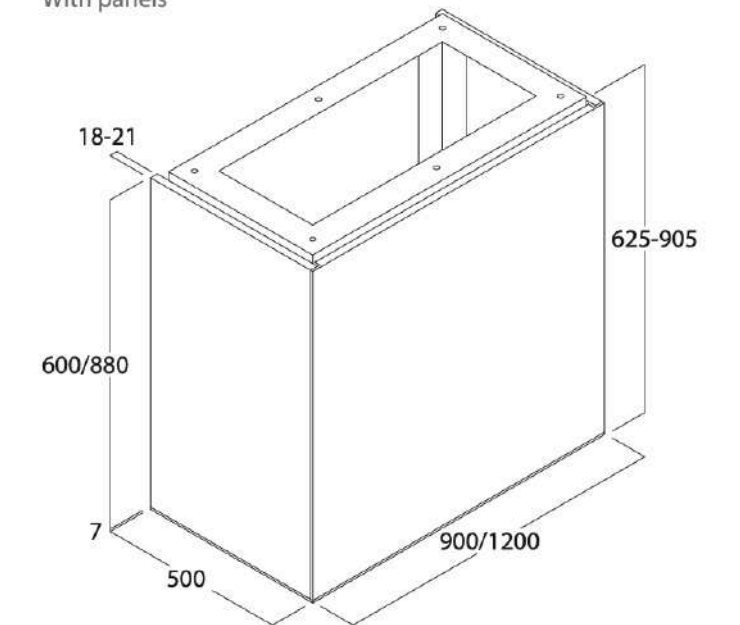
Price Exl. VAT- 90cm: 67,000,000 VND
Price Exl. VAT- 120cm: 75,000,000 VND

UPSCALE

Senza pannelli
No panels



Con pannelli
With panels



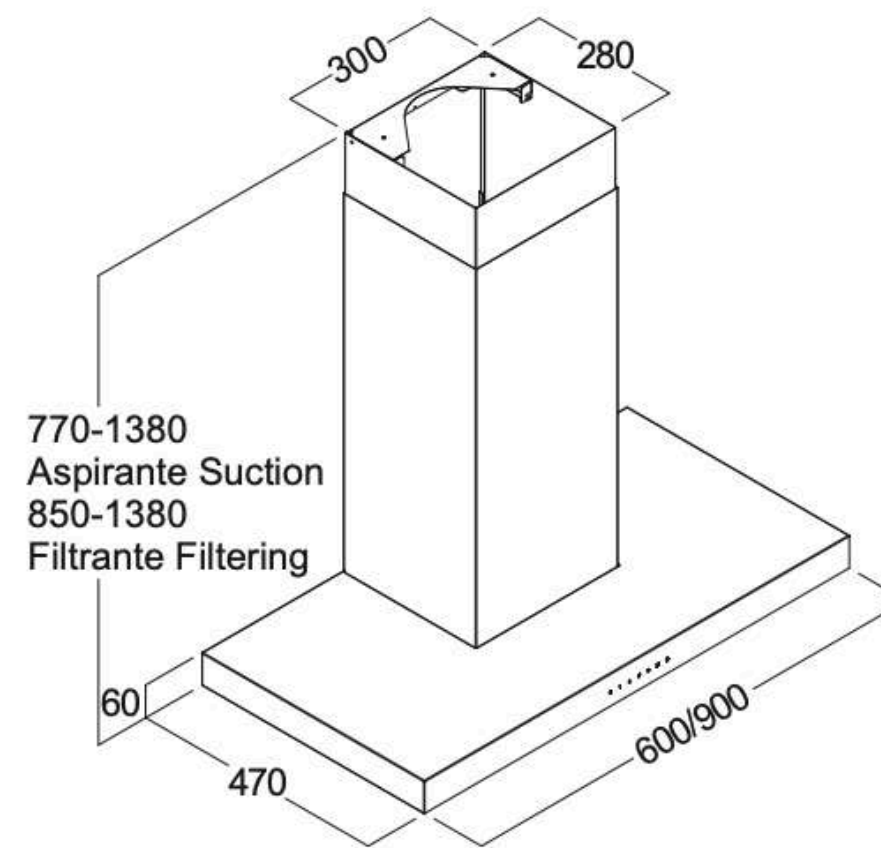
VELACUCINA - BUTTERFLY SERIES

ISLAND COOKER HOOD - NORMA 90 CM BLACK

UPSCALE

Description

- Island Hood
- 90 x 60 cm
- Full Body Inox
- Customizable Color
- Dimmable LED Lights 4 x 2.2 W
- Parameter Filtering
- Duct & Filtering Version
- Plasma Ready
- Active Carbon Filters
- Optional Remote Control
- Noise Reduction System
- 3 Speed + Booster
- 700 M3/Hour
- Energy Efficient
- Stainless Steel Supporting Rods
- **5 Years Warranty**
- **Designed & Manufactured In Italy**
- **Ask For Special Finishing Price**



Price Excluding VAT: 42,500,000 VND

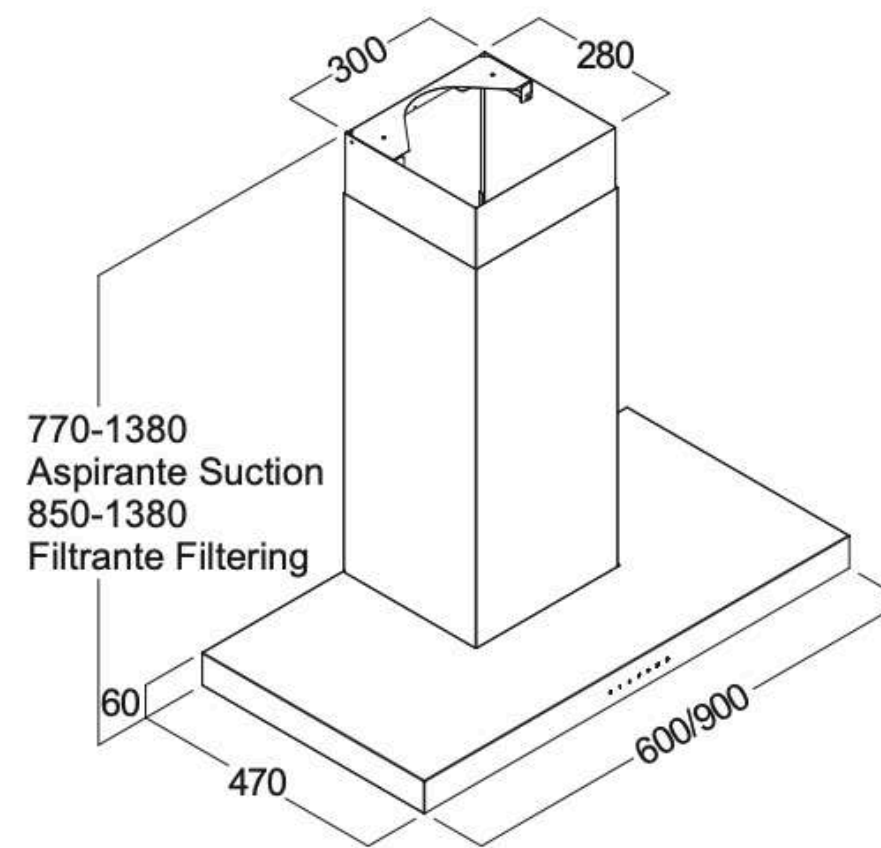
VELACUCINA - BUTTERFLY SERIES

ISLAND COOKER HOOD - NORMA 90 CM INOX

UPSCALE

Description

- Island Hood
- 90 x 60 cm
- Full Body Inox
- Customizable Color
- Dimmable LED Lights 4 x 2.2 W
- Parameter Filtering
- Duct & Filtering Version
- Plasma Ready
- Active Carbon Filters
- Optional Remote Control
- Noise Reduction System
- 3 Speed + Booster
- 700 M3/Hour
- Energy Efficient
- Stainless Steel Supporting Rods
- **5 Years Warranty**
- **Designed & Manufactured In Italy**
- **Ask For Special Finishing Price**



Price Excluding VAT: 37,500,000 VND

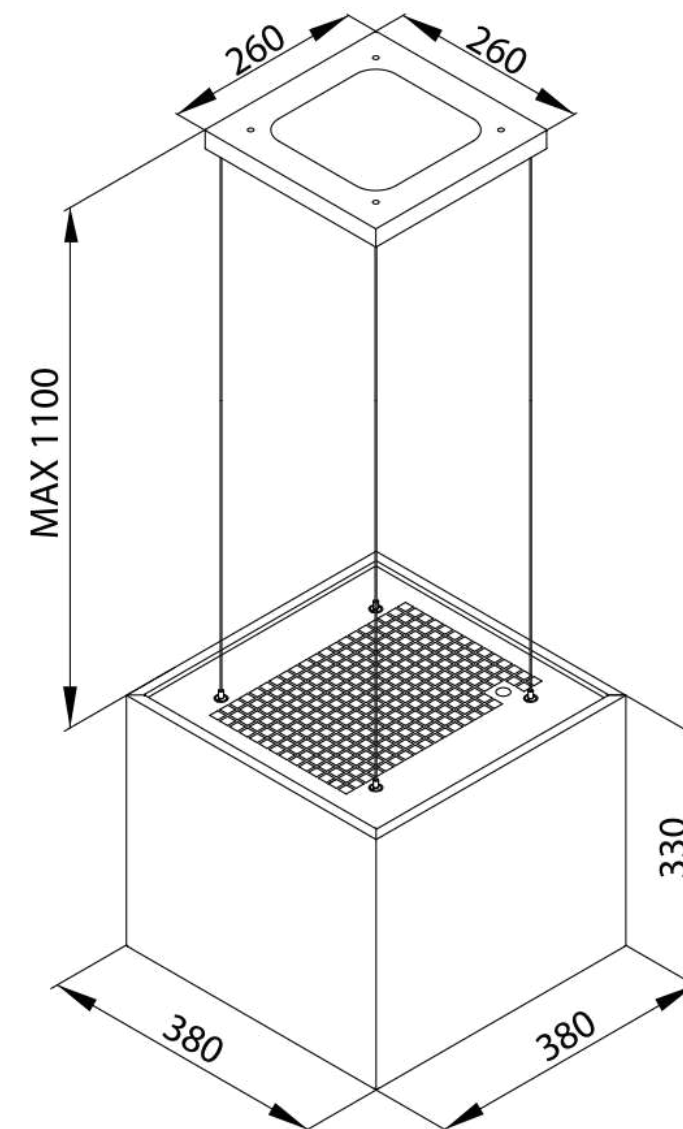
VELACUCINA - CUBO SERIES

ISLAND COOKER HOOD - CUBO ISOLA

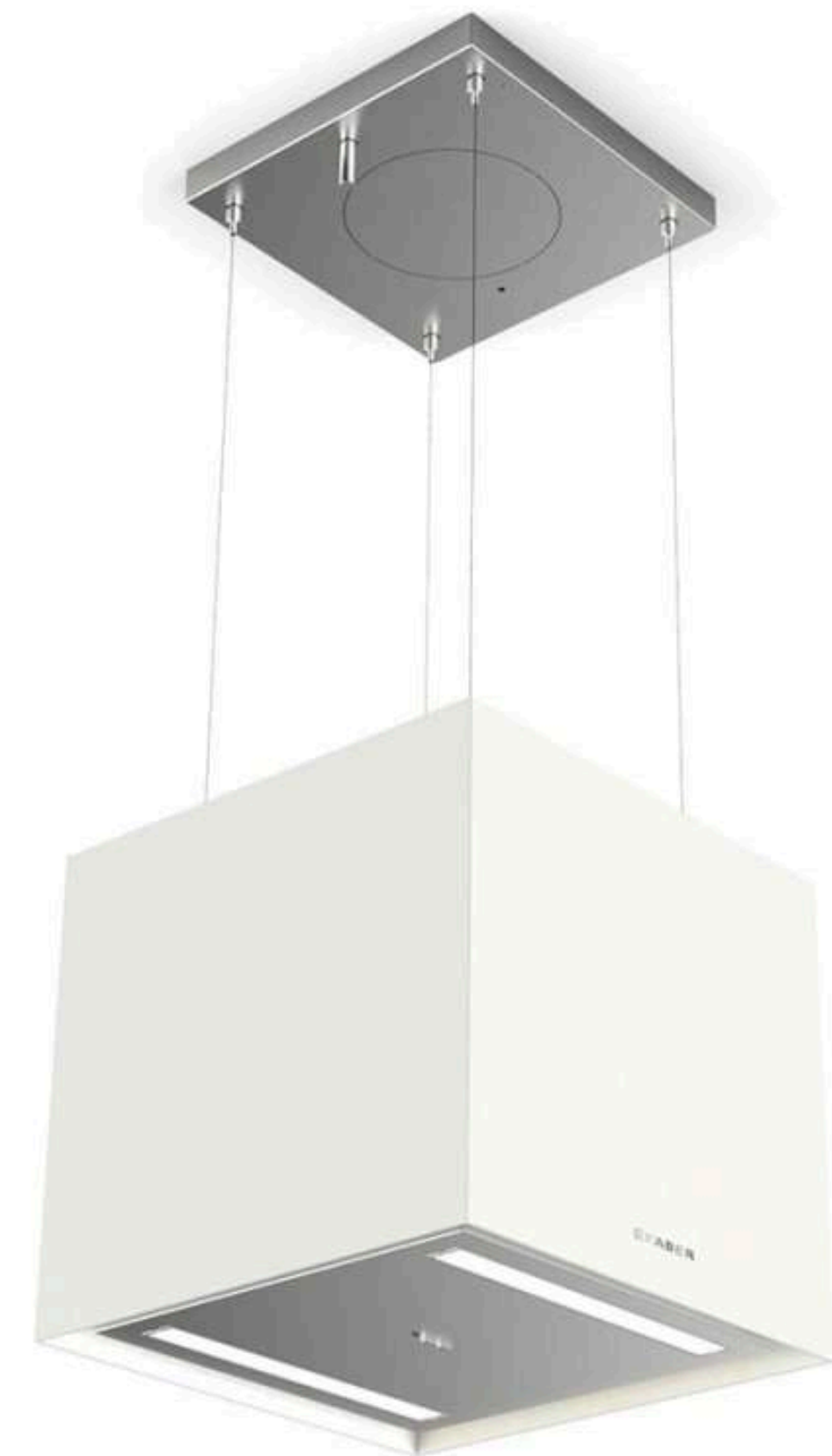
Description

- Island Hood
- 43 x 43 cm
- Customizable Color
- LED Lights 2 x 4 W
- Filtering Version
- Active Carbon Filters
- 3 Speed + Booster
- 633 M3/Hour
- Energy Efficient
- **5 Years Warranty**
- **Designed & Manufactured In Italy**
- **Ask For Special Finishing Price**

Price Excluding VAT: 28,500,000 VND



UPSCALE



FABITA - I4 SERIES

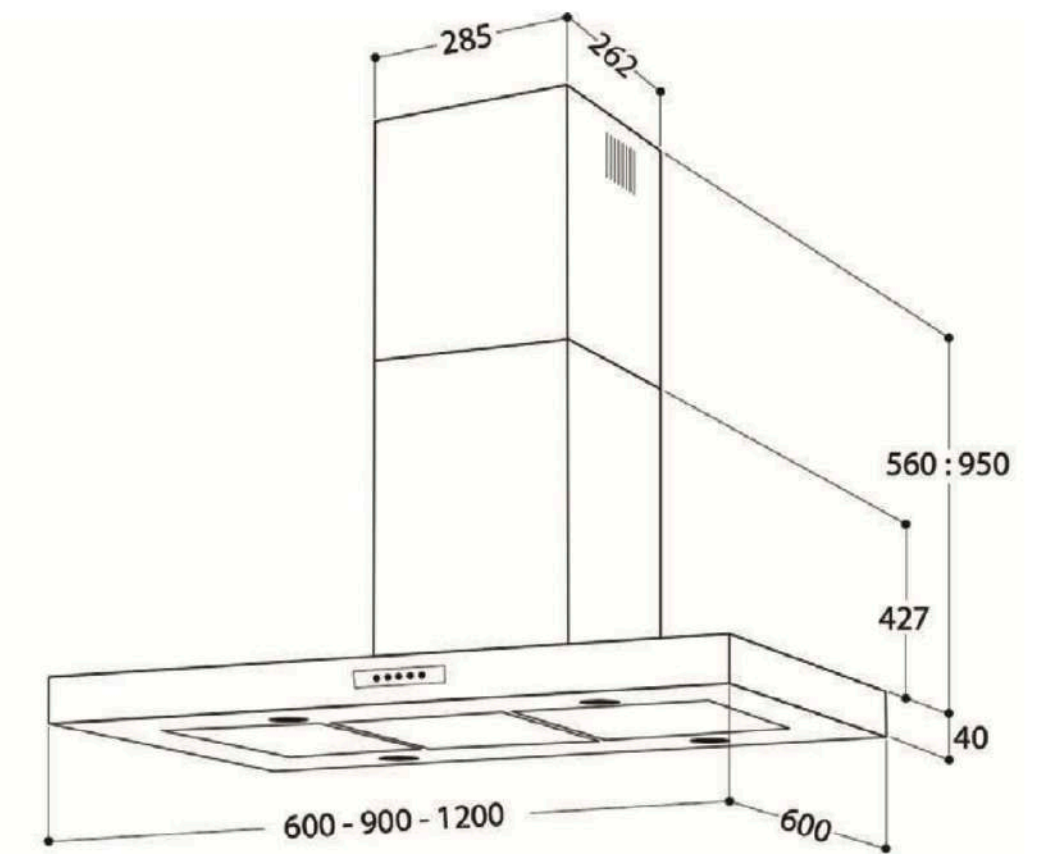
ISLAND COOKER HOOD - I4 ISOLA

Description

- Island Hood
- 90 x 60 cm
- Stainless Steel Color
- LED Lights 4 x 2 W
- Filtering or Duct Out Version
- Active Carbon Filters
- 3 Speed + Booster
- 765 M3/Hour
- Energy Efficient
- Automatic Air Filtration Mode
- **5 Years Warranty**
- **Designed & Manufactured In Italy**
- **Ask For Special Finishing Price**

Price Excluding VAT: 19,500,000 VND

UPSCALE



HOODS - **WALL MOUNT**
MÁY HÚT MÙI **ÁP TƯỜNG**

BARAZZA - MOOD SERIES

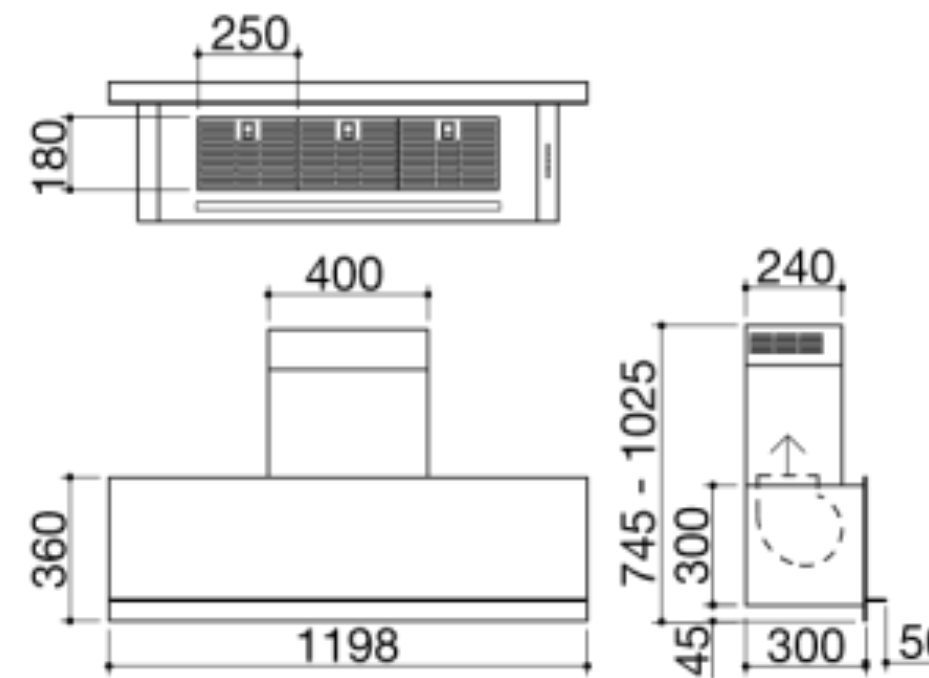
WALL MOUNT COOKER HOOD - MOOD 120

Description

- Wall Mount Hood
- 90 | 120 | 30 cm
- High Quality Stainless Steel
- LED STRIP 4000K
- Touch Control
- Duct & Filtering Version
- Active Carbon Filters
- 3 Speed + Booster
- 800 M3/Hour
- Energy Efficient
- **5 Years Warranty**
- **Designed & Manufactured In Italy**
- Available in 90 & 120

Price Exl. VAT- 90 cm: 64,500,000 VND
Price Exl. VAT- 120 cm : 74,500,000 VND

UPSCALE



VELACUCINA - OFIUCO SERIES

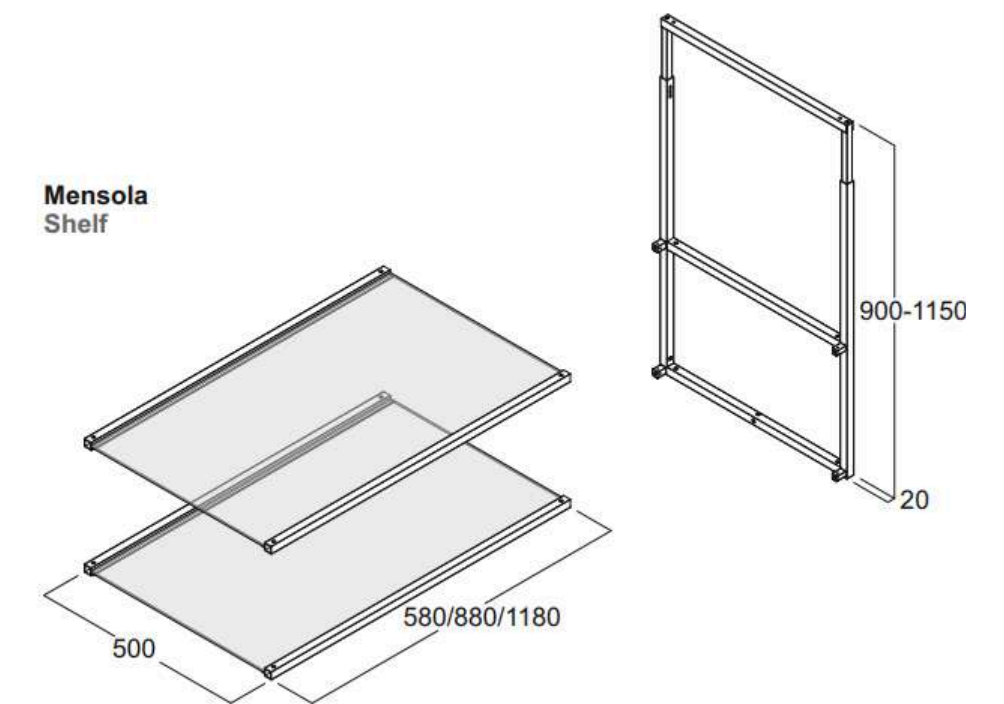
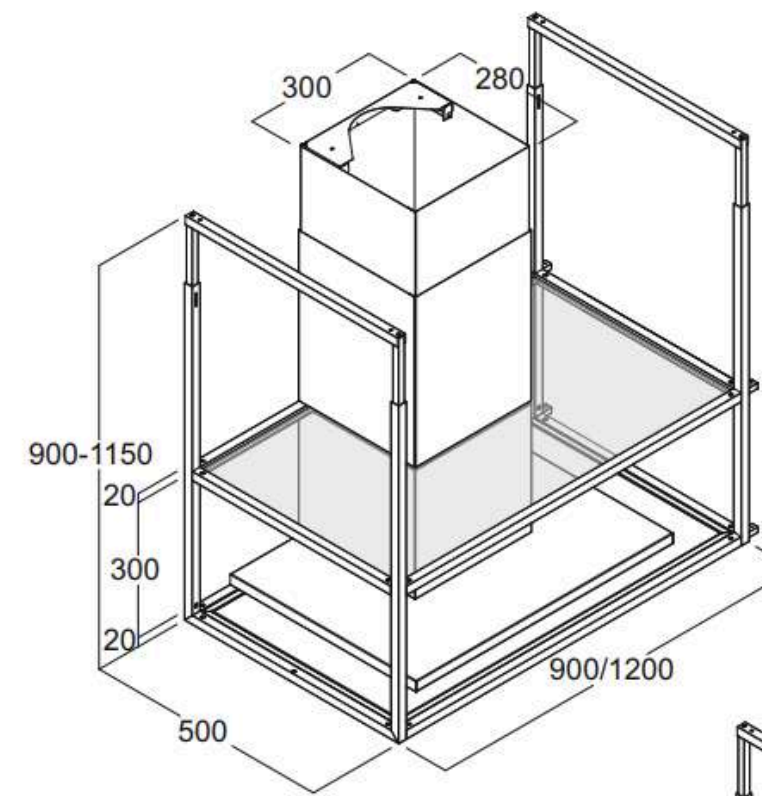
WALL MOUNT COOKER HOOD - OFIUCO 180 cm

UPSCALE

Description

- Wall Mount Hood
- 180 | 220 | 240 x 60 cm
- High Quality Stainless Steel & Glass
- LED Lights 2 x 8 W
- Touch Control
- Duct & Filtering Version
- Active Carbon Filters
- 3 Speed + Booster
- 690 M3/Hour
- Energy Efficient
- **5 Years Warranty**
- **Designed & Manufactured In Italy**
- Available in 90 cm - 120 cm - 220 cm

Price Excluding VAT 180 CM: 78,500,000 VND
Price Excluding VAT 220 CM: 89,500,000 VND
Price Excluding VAT 240 CM: 100,000,000 VND



VELACUCINA - PYXIS PLUS SERIES

WALL MOUNT COOKER HOOD - PYXIS PLUS 120 CM

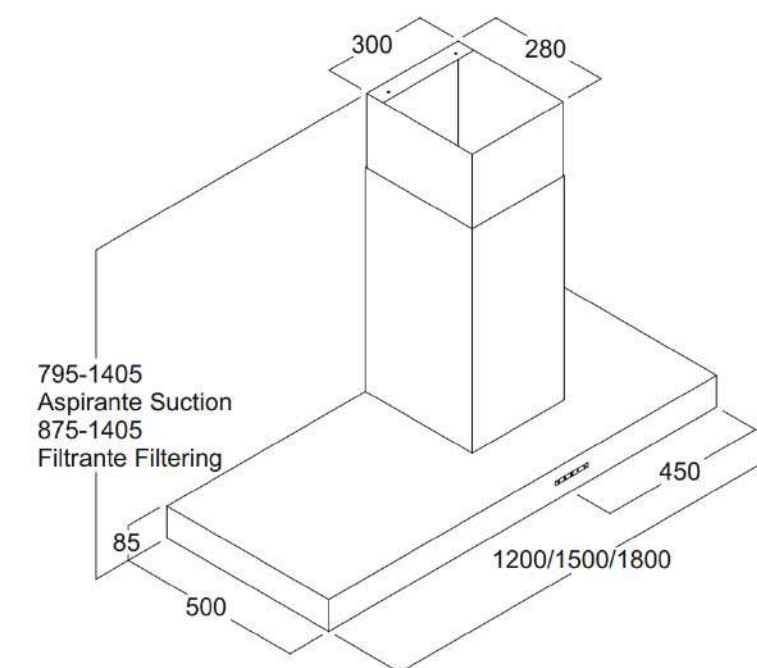
UPSCALE

Description

- Wall Mount Hood
- 120 x 60 cm
- High Quality Stainless Steel
- LED Lights 4 x 4 W
- Touch Control
- Duct & Filtering Version
- Active Carbon Filters
- 3 Speed + Booster
- 690 M3/Hour
- Energy Efficient
- **5 Years Warranty**
- **Designed & Manufactured In Italy**
- Available in left & right version



Destra
Right



Price Excluding VAT: 58,000,000 VND

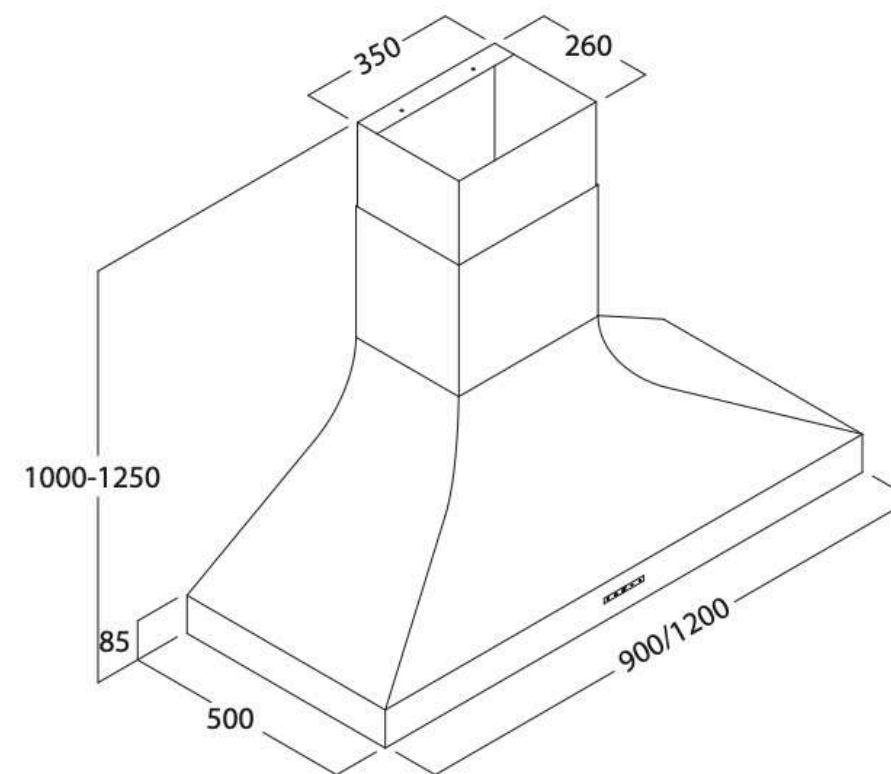
VELACUCINA - MONOCEROS SERIES

WALL MOUNT COOKER HOOD - MONOCEROS 120 CM

UPSCALE

Description

- Wall Mount Hood
- 90 x 60 cm
- High Quality Stainless Steel With Copper Finishing
- LED Lights 3 x 4 W
- Touch Control
- Duct & Filtering Version
- Active Carbon Filters
- 3 Speed + Booster
- 790 M3/Hour
- Energy Efficient
- **5 Years Warranty**
- **Designed & Manufactured In Italy**
- Available in 120 cm



Price Excluding VAT: 55,000,000 VND

PURA SERIES - LIMITED EDITION

WALL MOUNT COOKER HOOD - PURA PARETE

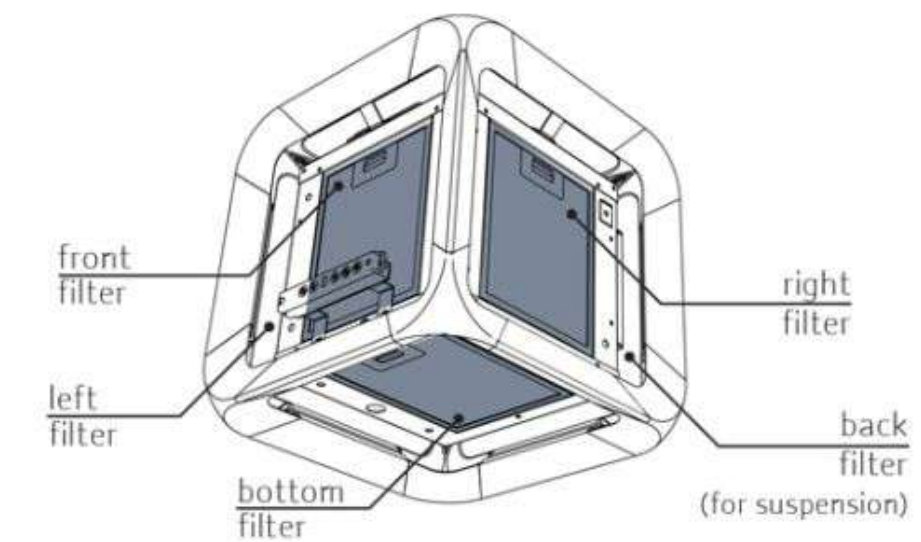
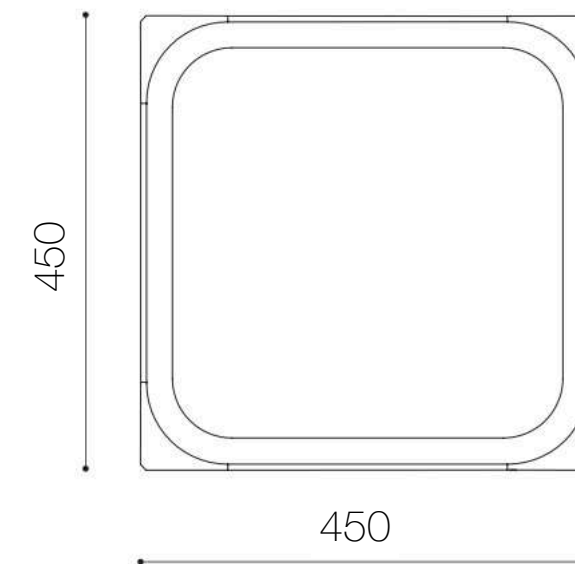
UPSCALE

Description

- Wall Mount Hood
- 45 x 45 cm
- 5 Filters - 360 Degree Filtration.
- Customizable Color
- LED Lights 2 x 4 W
- Parameter Filtering
- Duct & Filtering Version
- Active Carbon Filters
- 3 Speed + Booster
- 759 M3/Hour
- Energy Efficient
- 5 Years Warranty
- Designed in Italy - Manufactured In Brazil

Ask for full list of colors

Price Exl. VAT- Limited Edition Color: 83,500,000 VND



adriano design®



FABITA - PURA SERIES

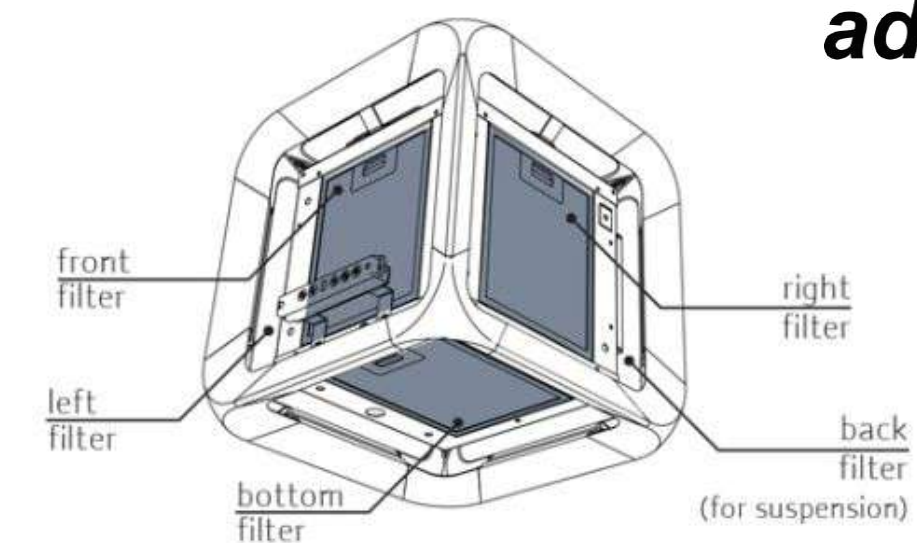
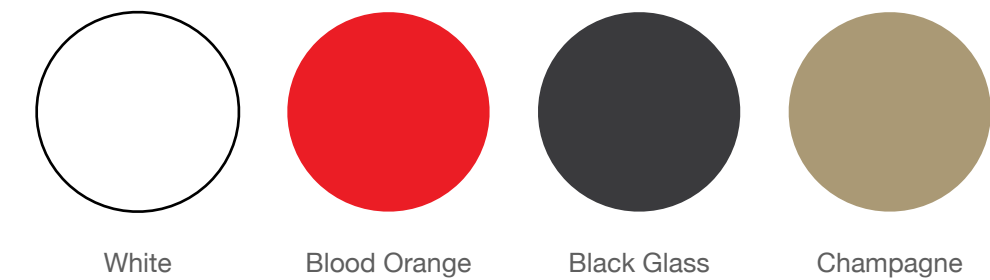
WALL MOUNT COOKER HOOD - PURA PENSILE

Description

- Wall Mount Hood + Decorative Cabinet
- 43 x 43 cm
- 3 Filters - 360 Degree Filtration.
- Customizable Color
- LED Lights 2 x 4 W
- Parameter Filtering
- Duct & Filtering Version
- Active Carbon Filters
- 3 Speed + Booster
- 759 M3/Hour
- Energy Efficient
- **5 Years Warranty**
- **Designed & Manufactured In Italy**
- Ask For Special Finishing Price

Price Excluding VAT: 68,000,000 VND

UPSCALE



adriano design®



FABITA - LINEA SERIES

WALL MOUNT COOKER HOOD - LINEA

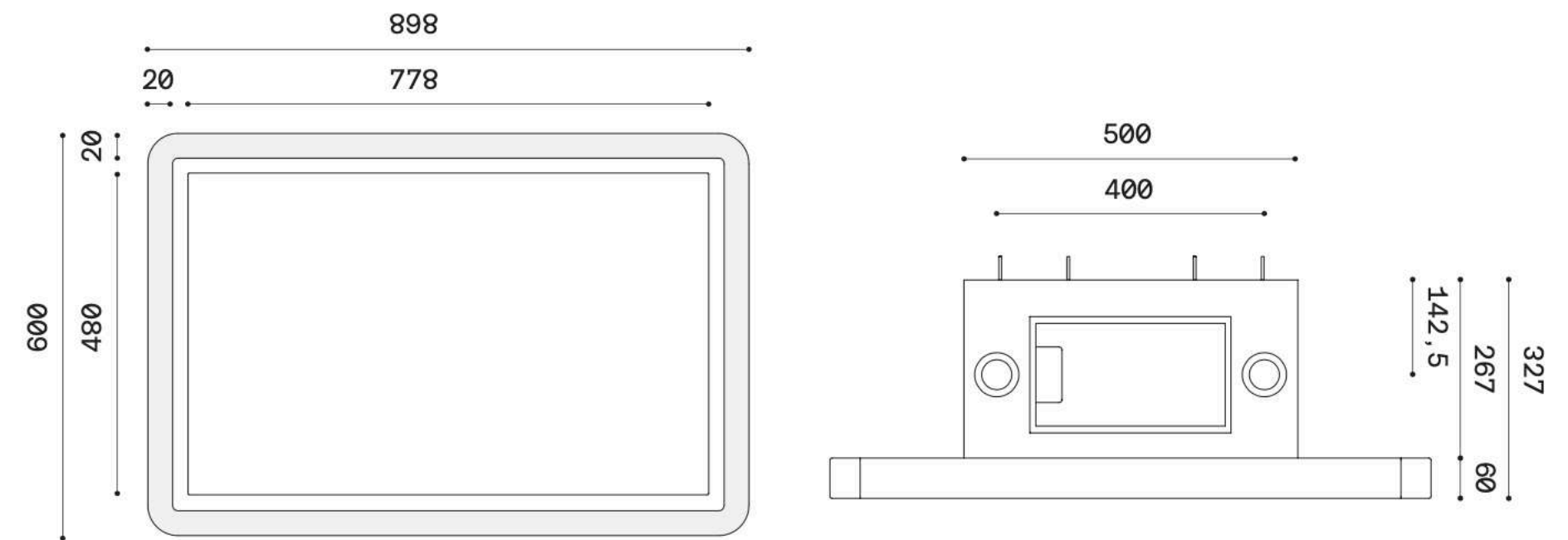
UPSCALE

Description

- Wall Mount Hood
- 90 x 60 cm
- 2 Filters
- Wood Frame
- LED Lights 2 x 4 W
- Touch Control
- Duct & Filtering Version
- Active Carbon Filters
- 3 Speed + Booster
- 779 M3/Hour
- Energy Efficient
- **5 Years Warranty**
- **Designed & Manufactured In Italy**

adriano design[®]

Price Excluding VAT: 33,600,000 VND



FABITA - EPOCA SERIES

WALL MOUNT COOKER HOOD - EPOCA

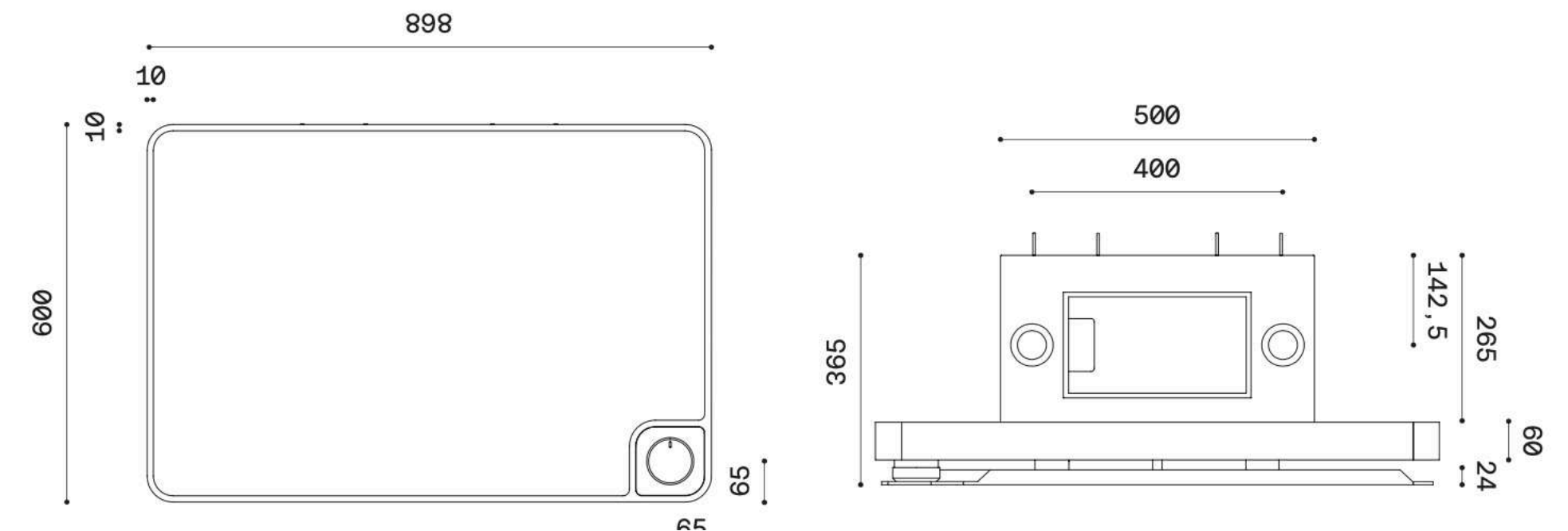
UPSCALE

Description

- Wall Mount Hood
- 90 x 60 cm
- 2 Filters
- Glass Profiling With Metal Body
- LED Lights 2 x 4 W
- Touch Control
- Duct & Filtering Version
- Active Carbon Filters
- 3 Speed + Booster
- 779 M3/Hour
- Energy Efficient
- **5 Years Warranty**
- **Designed & Manufactured In Italy**

adriano design[®]

Price Excluding VAT: 33,600,000 VND

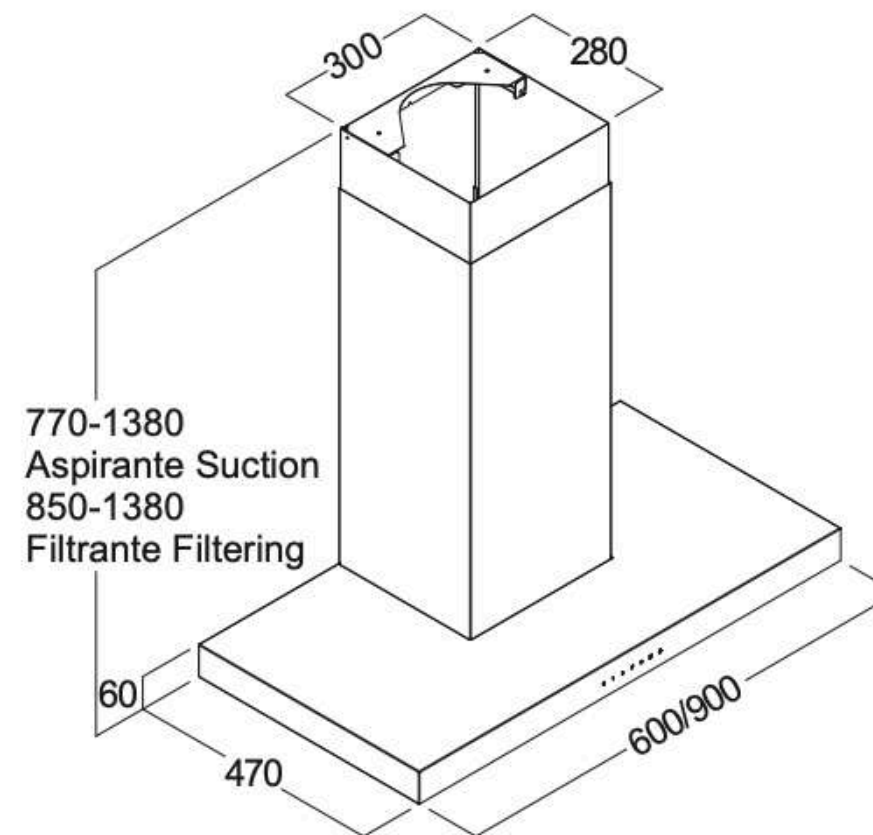


VELACUCINA - BUTTERFLY SERIES

WALL MOUNT COOKER HOOD - NORMA 90 CM BLACK

Description

- Wall Mount Hood
- 90 x 60 cm
- Full Body Inox
- Customizable Color
- Dimmable LED Lights 4 x 2.2 W
- Parameter Filtering
- Duct & Filtering Version
- Plasma Ready
- Active Carbon Filters
- Optional Remote Control
- Noise Reduction System
- 3 Speed + Booster
- 700 M3/Hour
- Energy Efficient
- Stainless Steel Supporting Rods
- **5 Years Warranty**
- **Designed & Manufactured In Italy**
- **Ask For Special Finishing Price**



UPSCALE



Price Excluding VAT: 33,500,000 VND

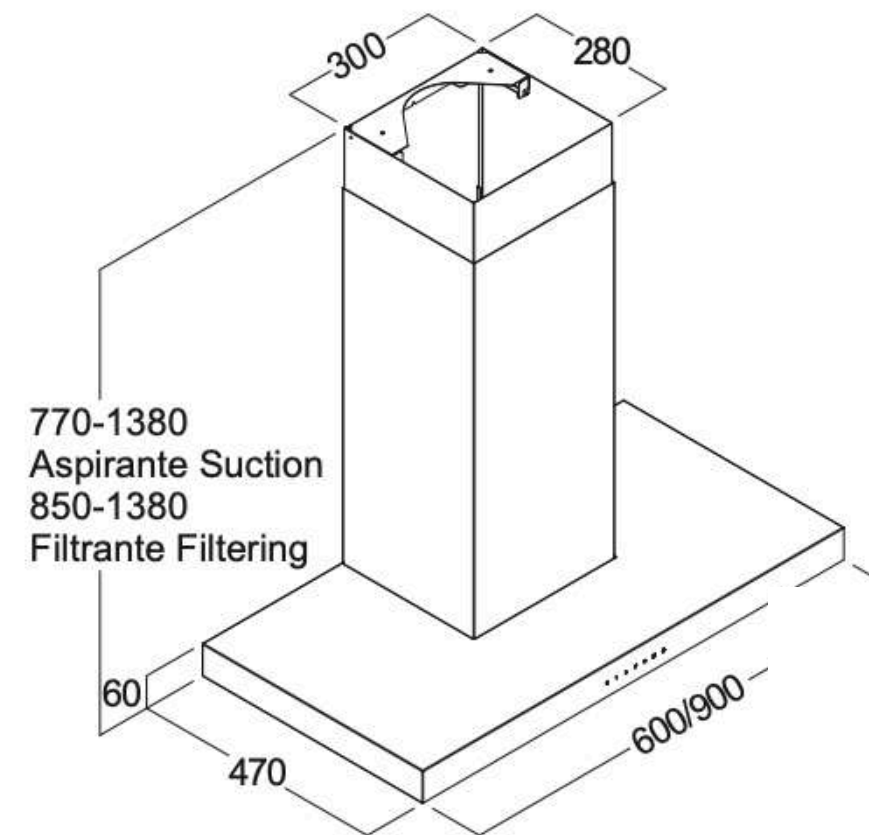
VELACUCINA - BUTTERFLY SERIES

WALL MOUNT COOKER HOOD - NORMA 90 CM INOX

Description

- Wall Mount Hood
- 90 x 60 cm
- Full Body Inox
- Customizable Color
- Dimmable LED Lights 4 x 2.2 W
- Parameter Filtering
- Duct & Filtering Version
- Plasma Ready
- Active Carbon Filters
- Optional Remote Control
- Noise Reduction System
- 3 Speed + Booster
- 700 M3/Hour
- Energy Efficient
- Stainless Steel Supporting Rods
- **5 Years Warranty**
- **Designed & Manufactured In Italy**
- **Ask For Special Finishing Price**

Price Excluding VAT: 29,500,000 VND



UPSCALE



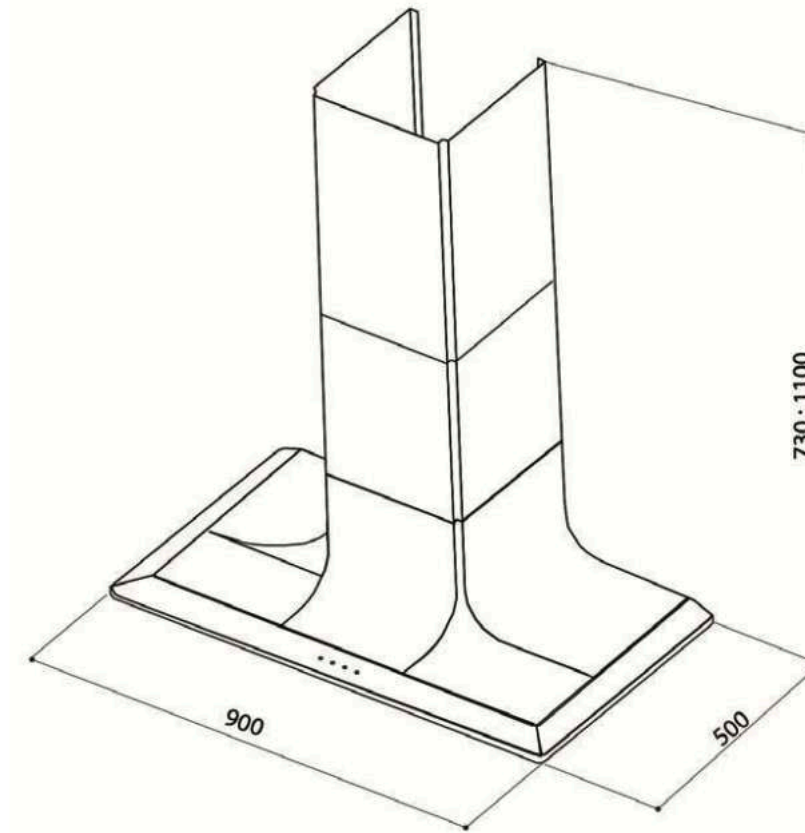
FABITA - TM MODERN

WALL MOUNT COOKER HOOD - TM MODERN WHITE

Description

- Wall Mount Hood
- 90 x 60 cm
- 3 Large Filters
- PU
- LED Lights
- Touch Control
- Duct & Filtering Version
- Active Carbon Filters
- 3 Speed + Booster
- 781 M3/Hour
- Energy Efficient
- **5 Years Warranty**
- **Designed & Manufactured In Italy**
- Available in Black

Price Excluding VAT: 19,500,000 VND



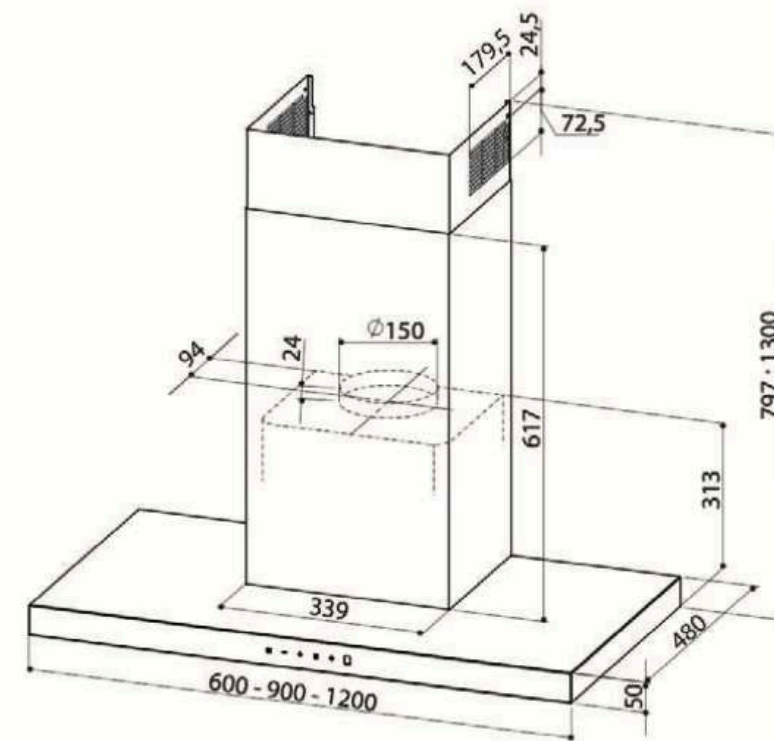
FABITA - TOUCH SERIES

WALL MOUNT COOKER HOOD - TOUCH 60

UPSCALE

Description

- Wall Mount Hood
- 60 cm
- Aluminium Filters
- Glass and Stainless Steel
- LED Lights
- Touch Control
- Duct & Filtering Version
- Active Carbon Filters
- 3 Speed + Booster
- 736 M3/Hour
- Energy Efficient
- **5 Years Warranty**
- **Designed & Manufactured In Italy**
- Available in 90 cm

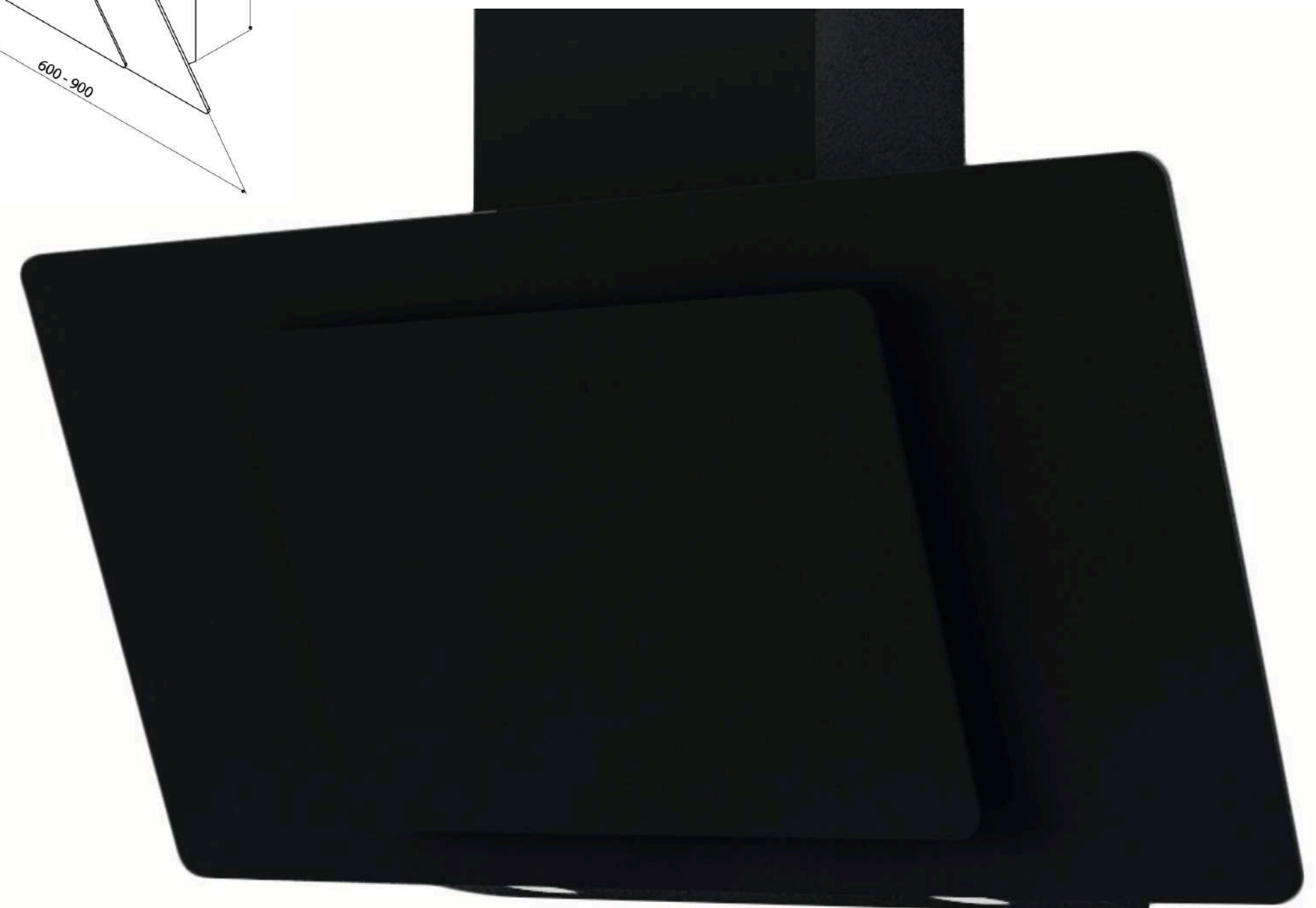
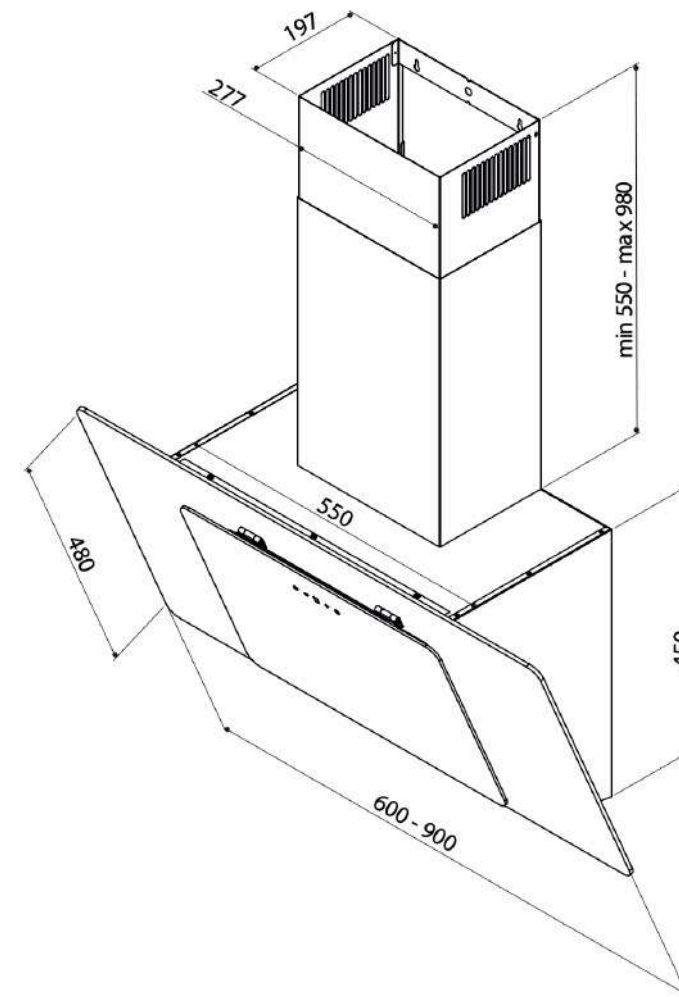


Price Excluding VAT: 14,500,000 VND

FABITA - ANDRO SERIES
WALL MOUNT COOKER HOOD - ANDRO 60

Description

- Wall Mount Hood
- 60 cm - 90 cm
- Aluminium Filters
- Glass and Stainless Steel
- LED Lights
- Touch Control
- Duct & Filtering Version
- Active Carbon Filters
- 3 Speed + Booster
- 736 M3/Hour
- Energy Efficient
- **5 Years Warranty**
- **Designed & Manufactured In Italy**



Price Excl. VAT (60cm): 13,500,000 VND

Price Excl. VAT (90cm): 15,000,000 VND

UPSCALE

HOODS - **DOWNDRAFT**
MÁY HÚT MÙI **ÂM BÀN**



VELACUCINA - EXTRACTOR HOOD

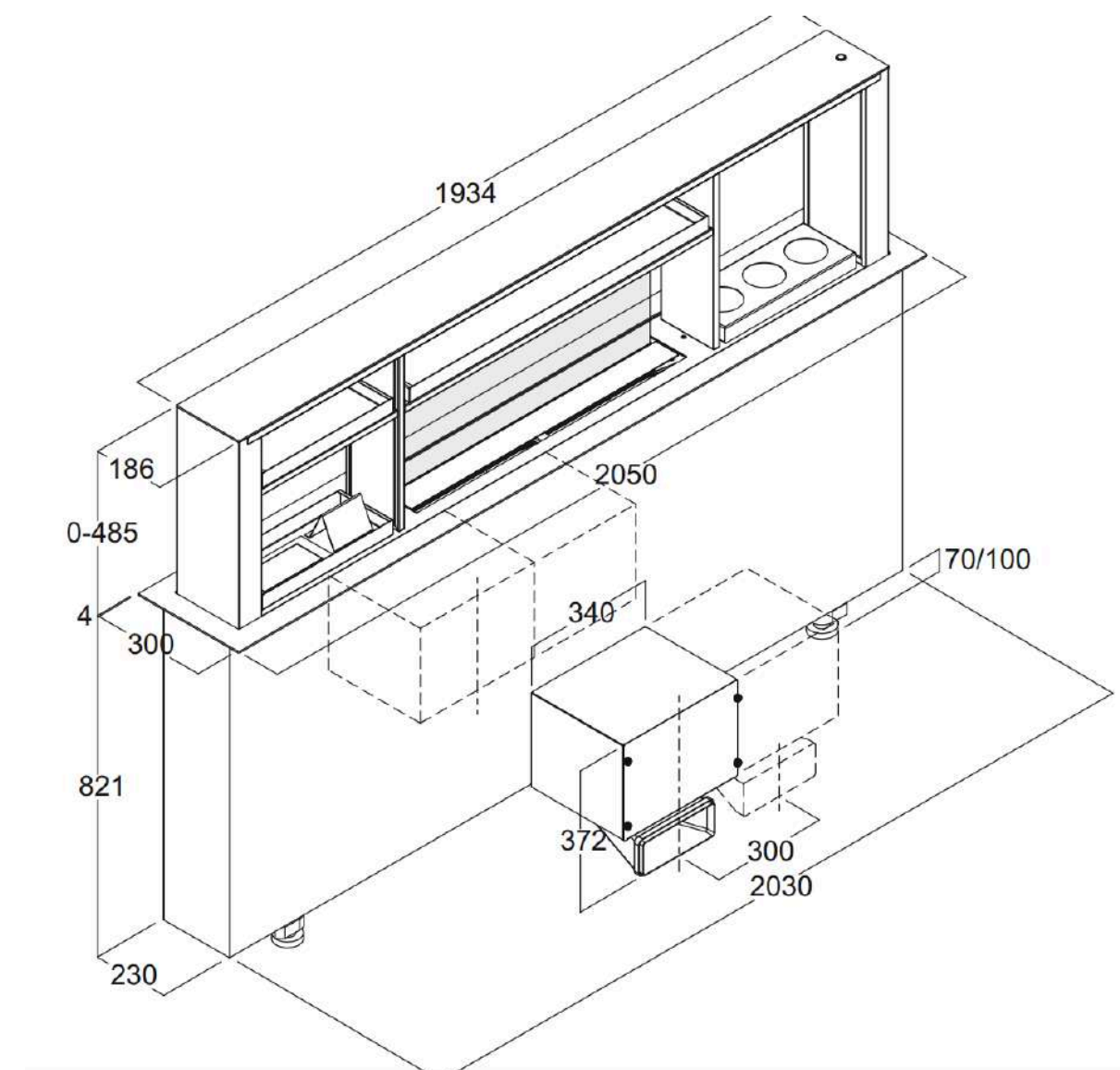
EXRTRACTOR COOKER HOOD - COPERNICO 205 CM

UPSCALE

Description

- 205 x 186 Cover
- Matt Black + Smoked Glass
- Touch Control + Remote Control
- 3 Speed + Booster
- Recycling/Duct Out
- High Quality Long Life Ceramic Filter
- LED Light - Dimmable 2 x 24 W
- Airflow 650 M3
- Timer
- Filter Alarm
- Motor Power 265 W
- Energy Efficient
- **5 Years Warranty**
- **Designed & Manufactured In Italy**
- Available in Black Steel & Stainless Steel

Price Excluding VAT: 238,000,000 VND



BARAZZA - EXTRACTOR HOOD FULL STAINLESS STEEL

EXRTRACTOR DOWNDRAFT COOKER HOOD - 1KBDD12

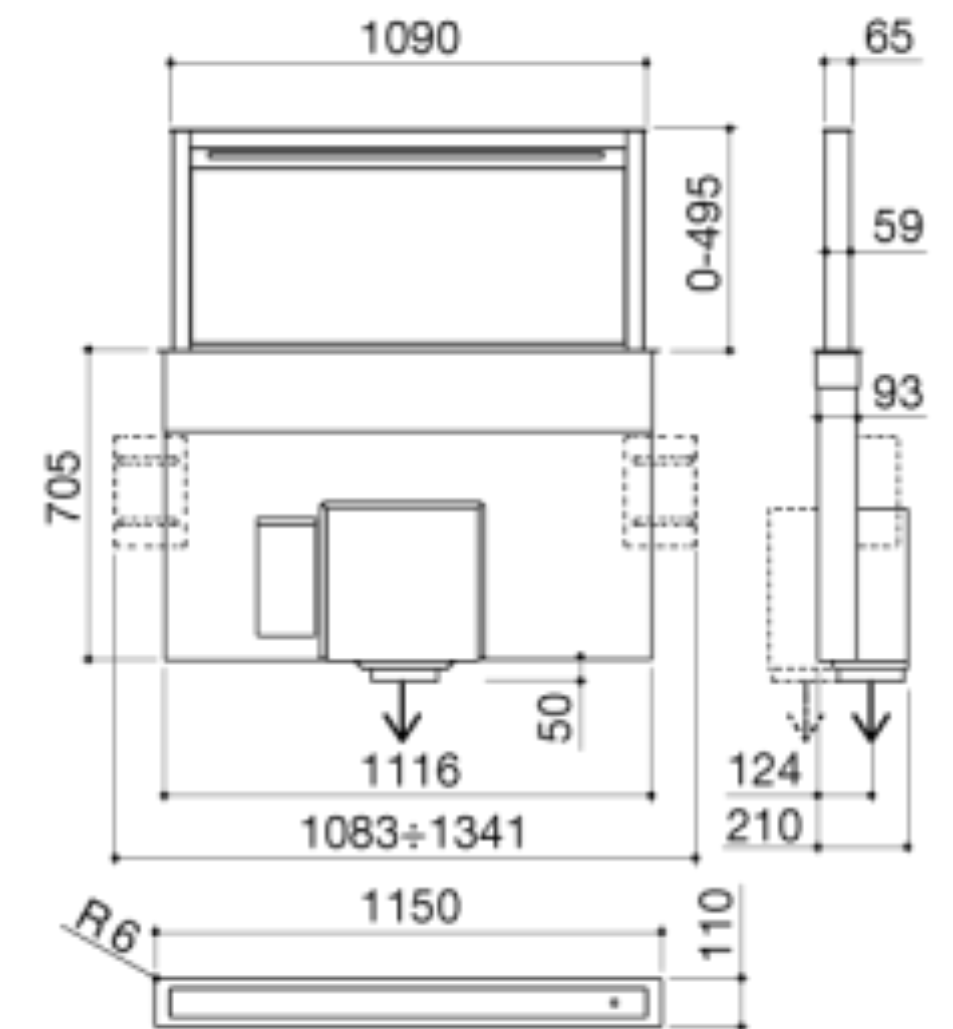
UPSCALE

Description

- 113 x 10 cm Flush
- Touch Control + Remote Control
- 3 Speed + Booster
- Recycling/Duct Out
- High Quality Long Life Stainless Filter
- Finish - High Quality Inox
- LED Light - 3000K
- Airflow 1000 M3
- Timer
- Filter Alarm
- Motor Power 300 W
- Energy Efficient
- **5 Years Warranty**
- **Designed & Manufactured In Italy**
- Available in 60 & 120 cm

Price Excl. VAT (90 cm): 127,500,000 VND

Price Excl. VAT (120 cm): 136,500,000 VND



VELACUCINA - EXTRACTOR HOOD

EXRTRACTOR DOWNDRAFT COOKER HOOD

UPSCALE

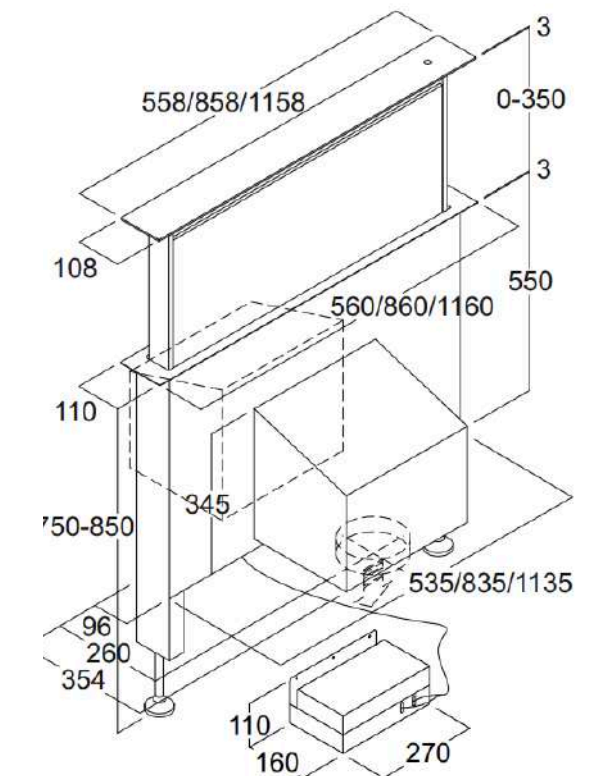
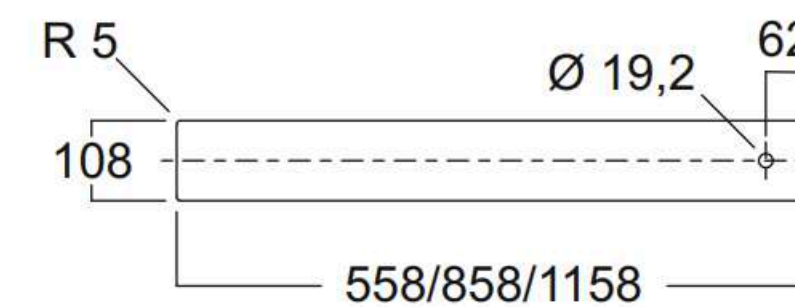
Description

- 86 x 11 cm Cover
- Touch Control + Remote Control
- 3 Speed + Booster
- Recycling/Duct Out
- High Quality Long Life Ceramic Filter
- Finish - High Quality Inox
- LED Light - Dimmable
- Airflow 660 M3
- Timer
- Filter Alarm
- Motor Power 265 W
- Energy Efficient
- **5 Years Warranty**
- **Designed & Manufactured In Italy**
- Available in 60, 90 & 120 cm

Price Excl. VAT (60 cm): 68,500,000 VND
Price Excl. VAT (90 cm): 75,000,000 VND
Price Excl. VAT (120 cm): 82,500,000 VND

Pannello superiore Top panel

P = MAX 8 MM



VELACUCINA - INVISIBLE EXTRACTOR HOOD

NEWTON DOWNDRAFT WITH COUNTERTOP PANEL FINISH

UPSCALE

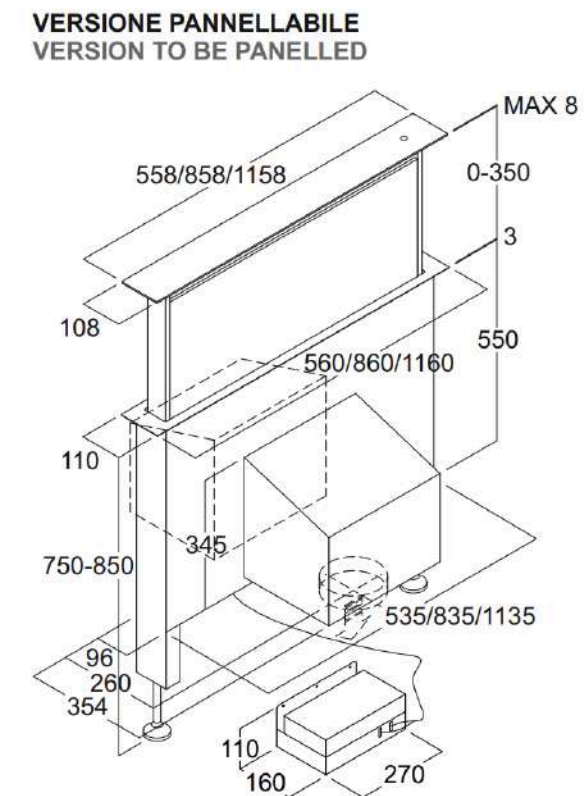
Description

- 86 x 11 cm Cover
- Touch Control + Remote Control
- 3 Speed + Booster
- Recycling/Duct Out
- High Quality Long Life Ceramic Filter
- Finish - High Quality Inox
- LED Light - Dimmable
- Airflow 660 M3
- Timer
- Filter Alarm
- Motor Power 265 W
- Energy Efficient
- **5 Years Warranty**
- **Designed & Manufactured In Italy**
- Available in 60, 90 & 120 cm

Price Excl. VAT (60 cm): 82,500,000 VND

Price Excl. VAT (90 cm): 92,500,000 VND

Price Excl. VAT (120 cm): 102,500,000 VND



UPSCALE

HOODS - **BUILT IN**
MÁY HÚT MÙI - **ÂM TỬ**

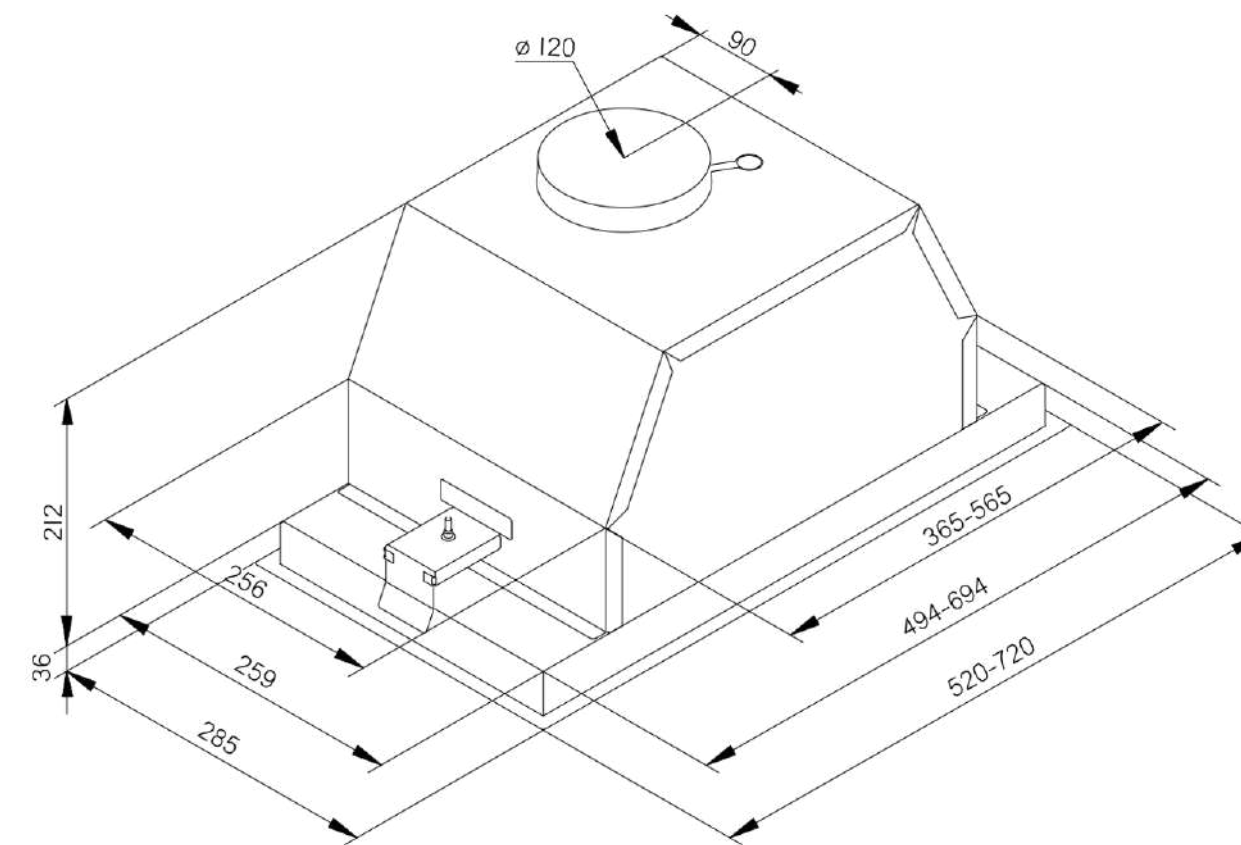
VELACUCINA - HELIOS SERIES

BUILT IN HOOD - HELIOS 72

UPSCALE

Description

- 720 x 285 mm
- Professional Knob Control
- 3 Speed + Booster
- Recycling/Duct Out Option
- Finish - High Quality Inox
- LED Light 2 x 2,1W
- Airflow 450 M3
- Energy Efficient
- Class Level A
- High Quality Carbon Filters
- **5 Years Warranty**
- **Designed & Manufactured In Italy**
- Available in 60 cm



Price Excluding VAT: 11,800,000 VND

VELACUCINA - HELIOS SERIES

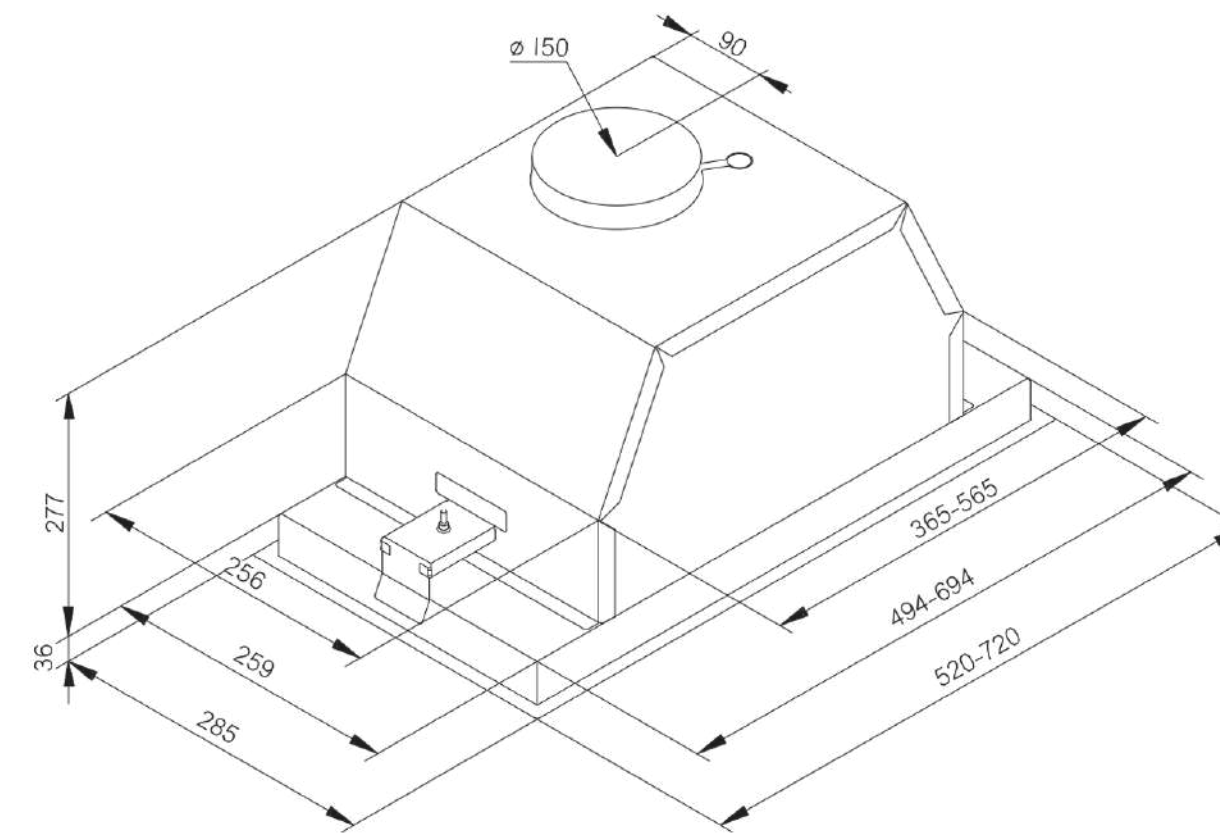
BUILT IN HOOD - HELIOS PUSH

UPSCALE

Description

- 720 x 285 mm
- 3 Speed + Booster
- Recycling/Duct Out Option
- Finish - High Quality Inox
- LED Light 2 x 2,2W
- Airflow 760 M3
- Push Buttons
- Timer
- Filter Alarm
- Energy Efficient
- Class Level A
- High Quality Carbon Filters
- **5 Years Warranty**
- **Designed & Manufactured In Italy**
- Available in 56 cm

Price Excluding VAT: 17,500,000 VND



VELACUCINA - LINEAR SERIES

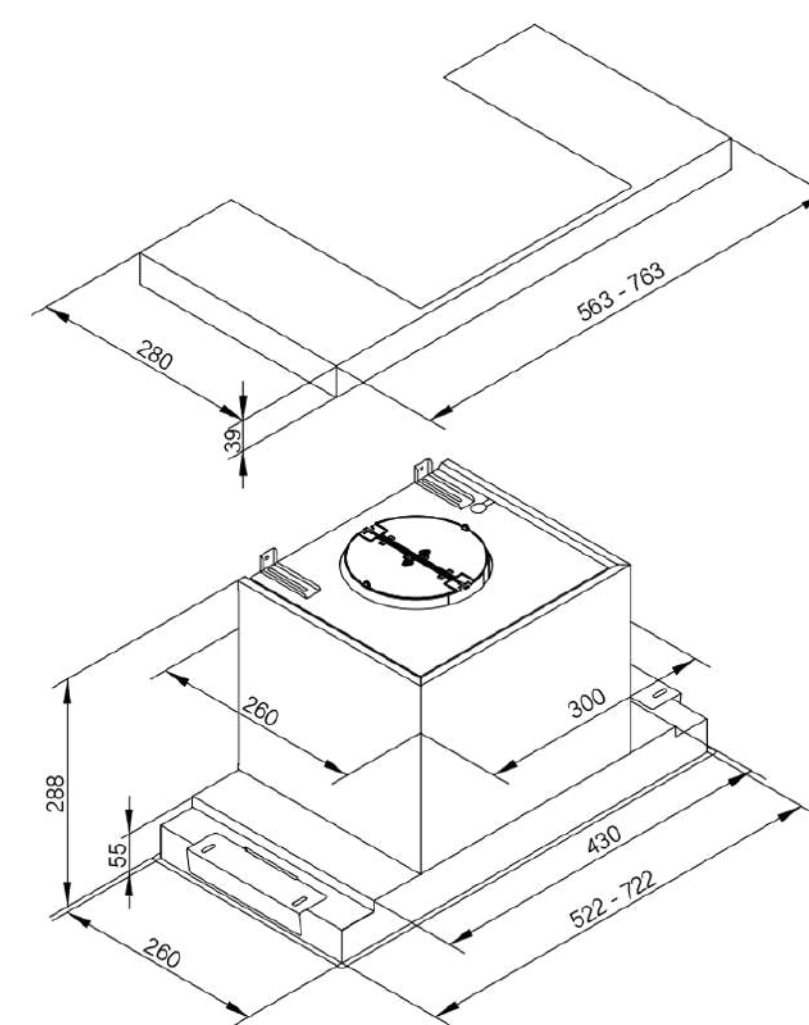
BUILT IN HOOD- LINEAR BLACK

Description

- 760 x 285 mm
- Touch Control
- 3 Speed + Booster
- Recycling/Duct Out Option
- Finish - High Quality Inox & Black Glass
- LED Light 2 x 2,1W
- Airflow 700 M3
- Timer
- Filter Alarm
- Energy Efficient
- Class Level A
- High Quality Carbon Filters
- **5 Years Warranty**
- **Designed & Manufactured In Italy**
- Available in 56 cm & in White Glass

Price Excluding VAT: 22,500,000 VND

UPSCALE



VELACUCINA - LINEAR SERIES

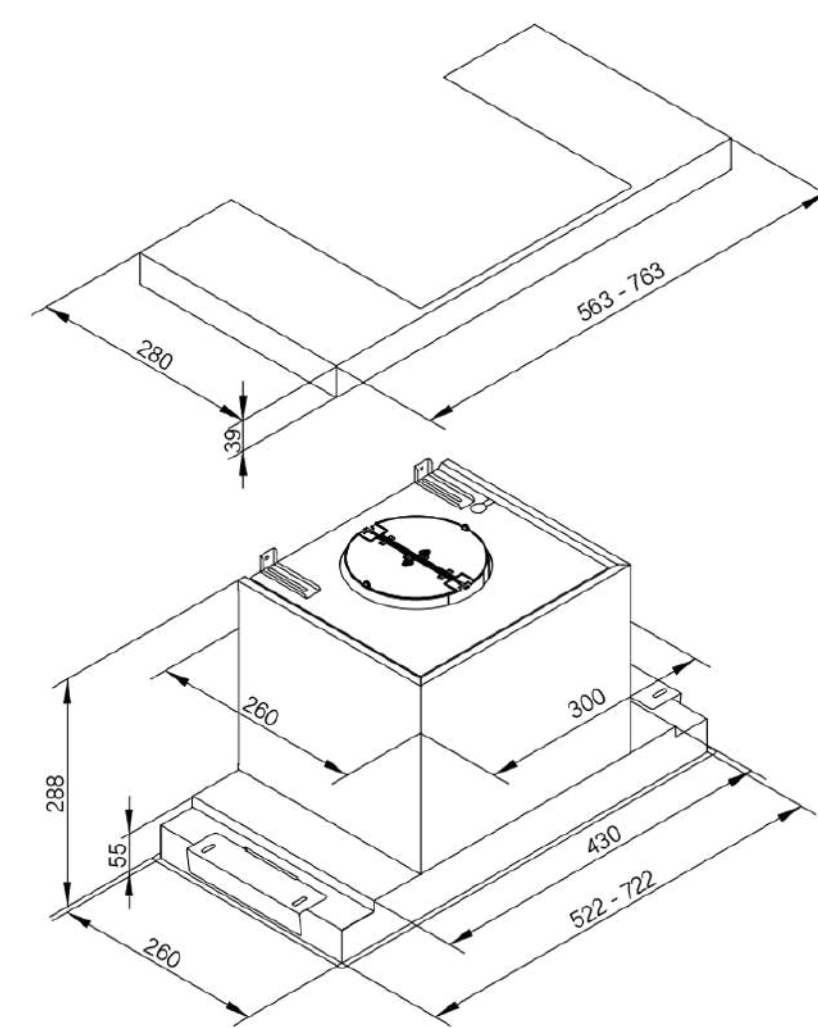
BUILT IN HOOD - LINEAR WHITE

Description

- 760 x 285 mm
- Touch Control
- 3 Speed + Booster
- Recycling/Duct Out Option
- Finish - High Quality Inox & White Glass
- LED Light 2 x 2,1W
- Airflow 700 M3
- Timer
- Filter Alarm
- Energy Efficient
- Class Level A
- High Quality Carbon Filters
- **5 Years Warranty**
- **Designed & Manufactured In Italy**
- Available in 56 cm & in Black Glass

Price Excluding VAT: 22,500,000 VND

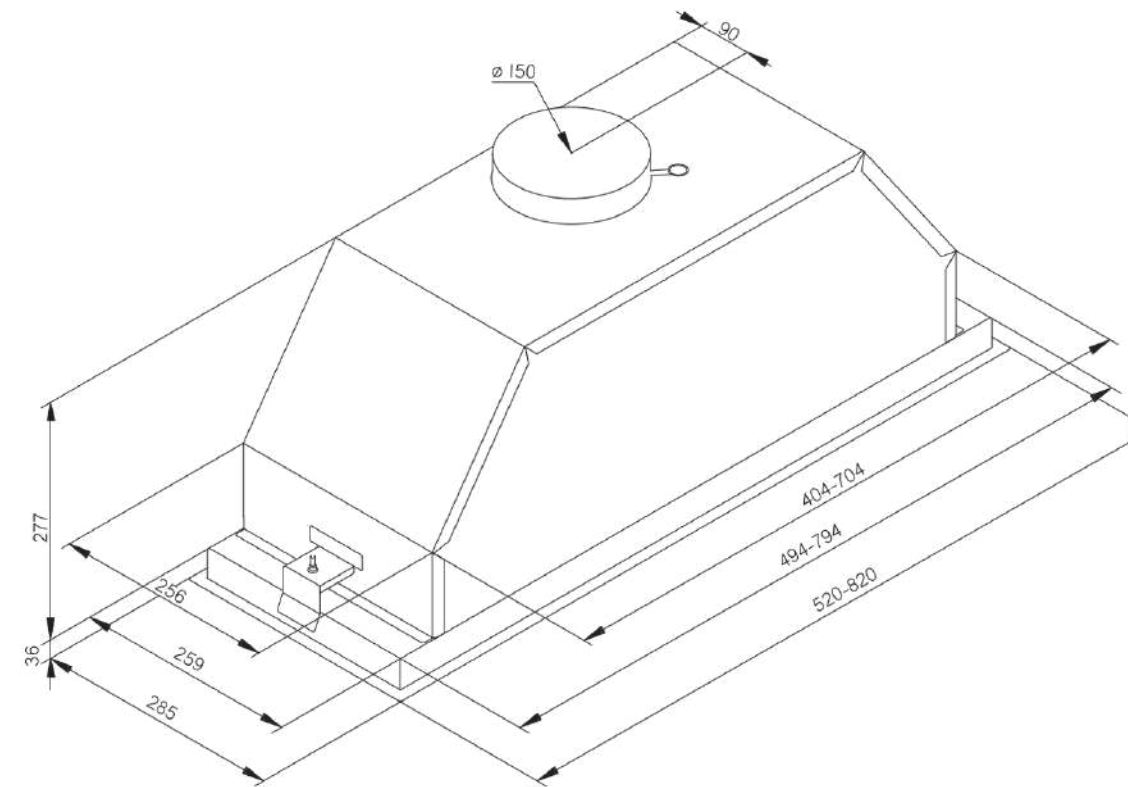
UPSCALE



VELACUCINA - PROFESSIONAL SERIES

BUILT IN HOOD - PROFESSIONAL H1 - 82 cm

UPSCALE



Description

- 520 / 820 x 285 mm
- Push Button
- 3 Speed + Booster
- Recycling/Duct Out Option
- Finish - High Quality Inox
- LED Light 5.3W
- Airflow 727 M3
- Timer
- Filter Alarm
- Energy Efficient
- Class Level A
- Liquid Collection Tray
- Anti Condensation
- **5 Years Warranty**
- **Designed & Manufactured In Italy**
- Available in 52 & 82 cm



Price Excluding VAT: 22,500,000 VND

VELACUCINA - HADAR SERIES

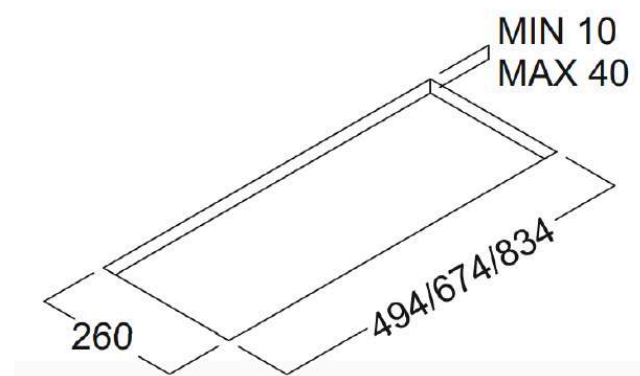
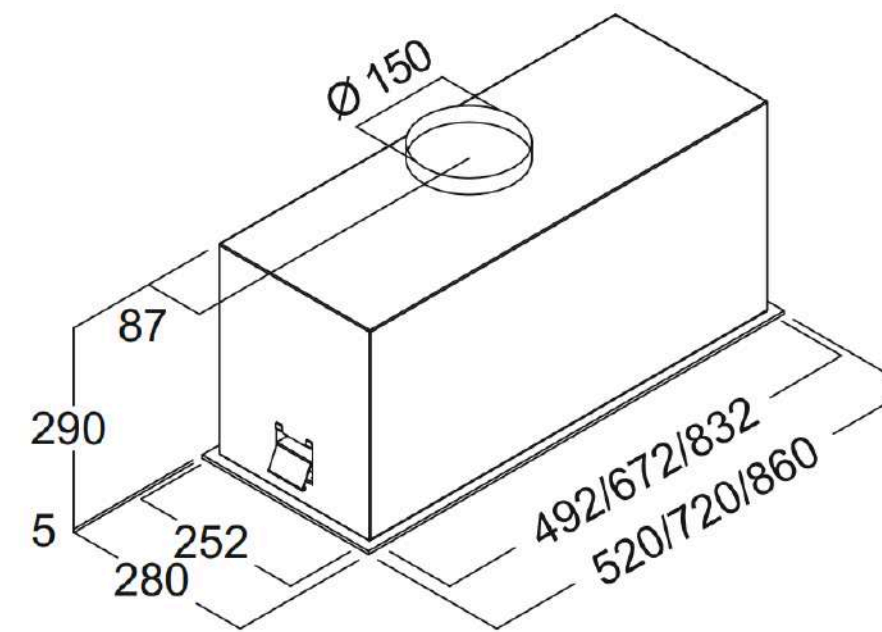
BUILT IN HOOD - HADAR

Description

- 52 / 72 / 86 cm
- Electronic Control
- 3 Speed + Booster
- Recycling/Duct Out Option
- Finish - High Quality Inox
- LED Light 2x2.2W
- Airflow 690 M3
- Timer
- Filter Alarm
- Energy Efficient
- Class Level A
- **5 Years Warranty**
- **Designed & Manufactured In Italy**

Price Excl. VAT (86 cm): 18,500,000 VND

UPSCALE



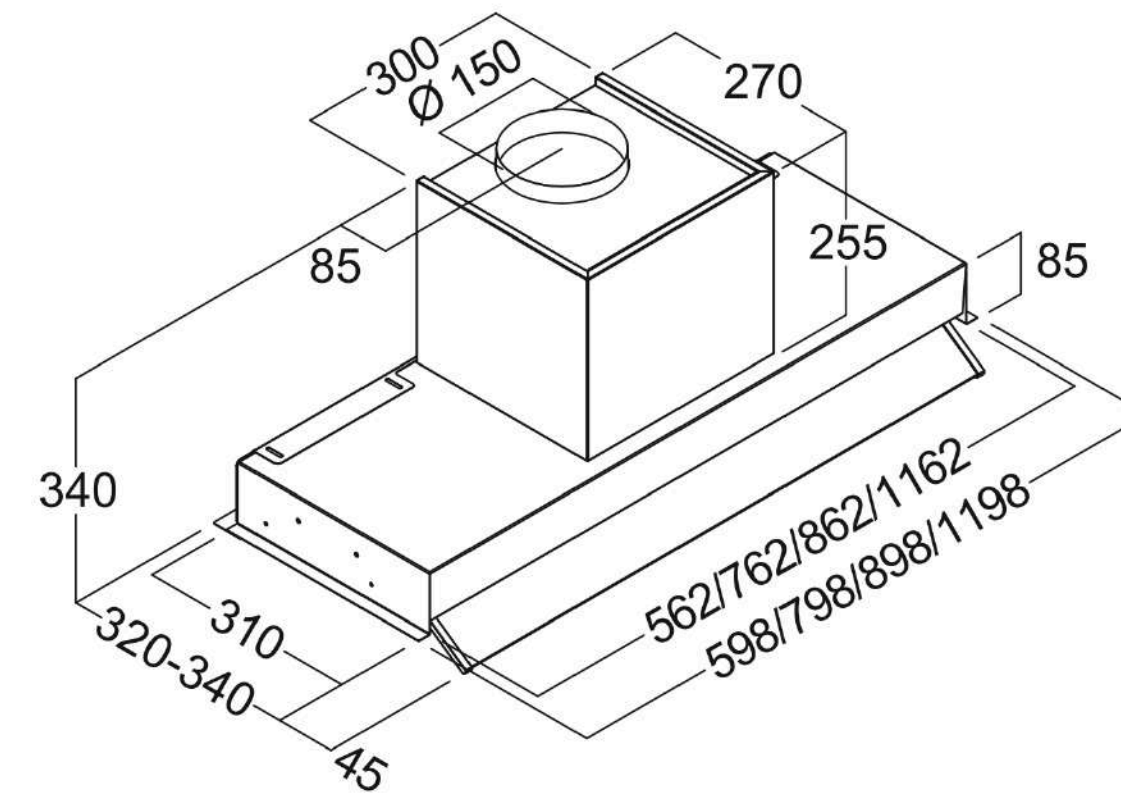
VELACUCINA - PROFESSIONAL SERIES

BUILT IN HOOD - CANOPO PLUS

UPSCALE

Description

- 60 / 80 / 90 / 120 cm
- Electronic + Remote Control
- 3 Speed + Booster
- Recycling/Duct Out Option
- Finish - High Quality Inox
- LED Light 2x2.2W
- Airflow 710 M3
- Timer
- Filter Alarm
- Energy Efficient
- Class Level A
- **5 Years Warranty**
- **Designed & Manufactured In Italy**
- Available in Black & White Stainless



Price Excl. VAT (90 cm): 25,500,000 VND

UPSCALE

HOODS - **BUILT IN**
MÁY HÚT MÙI - **ÂM TỬ**

VELACUCINA - CEILING SERIES

COOKER HOOD - DORADO 120 CM

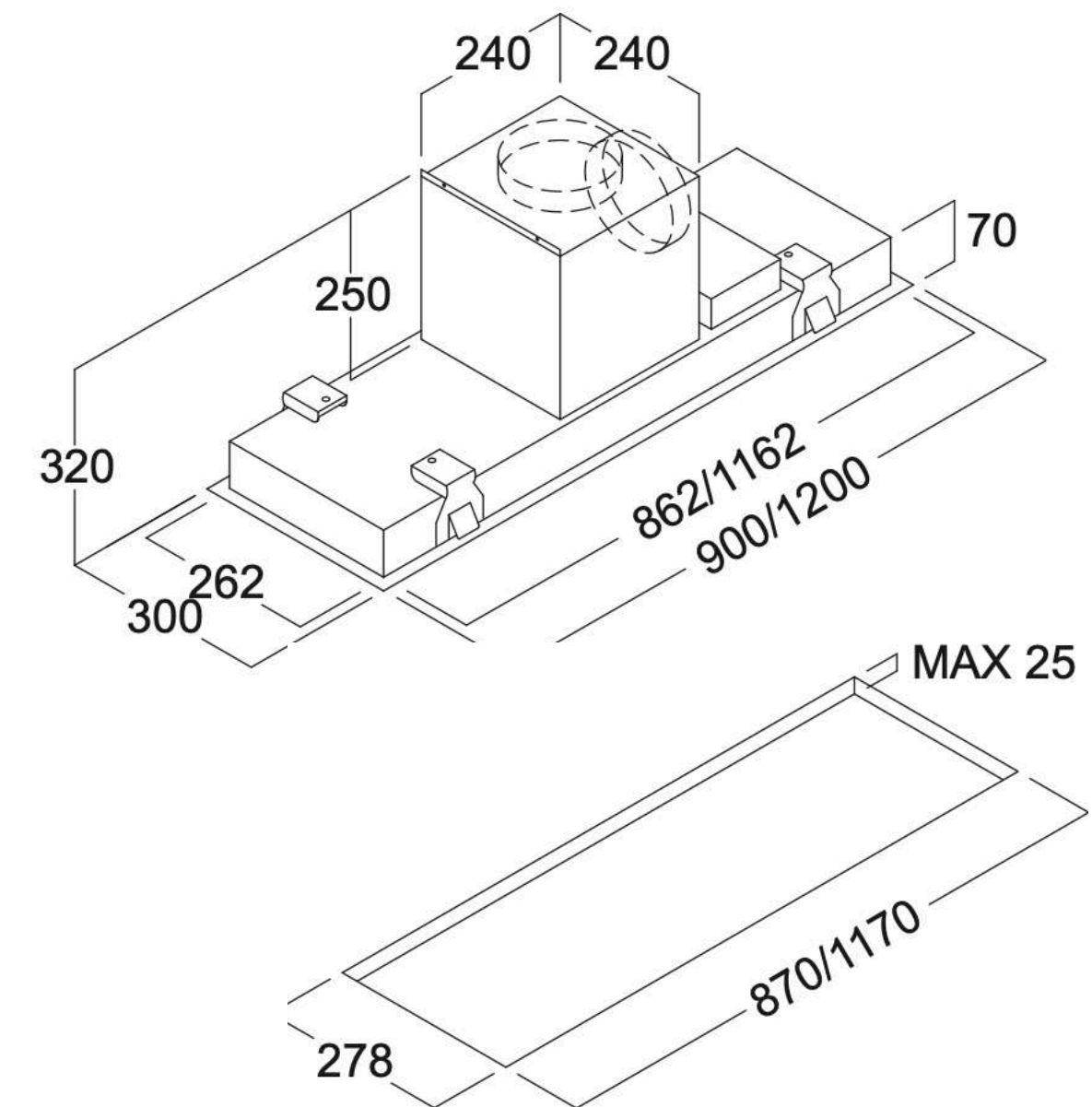
UPSCALE

Description

- Ceiling Hood
- 90/120 x 30 cm
- Full Body Inox
- LED Strip Light 1x15W
- Dimmable Light
- Parameter Filtering
- Duct & Filtering Version
- Long Life Filter
- Remote Control
- 3 Speed + Booster
- 730 M3/Hour
- Energy Efficient
- **5 Years Warranty**
- **Designed & Manufactured In Italy**
- Available in 90 - 120 cm & in Glass finish

Price Excl. VAT (90 cm): 33,500,000 VND

Price Excl. VAT (120 cm): 38,500,000 VND



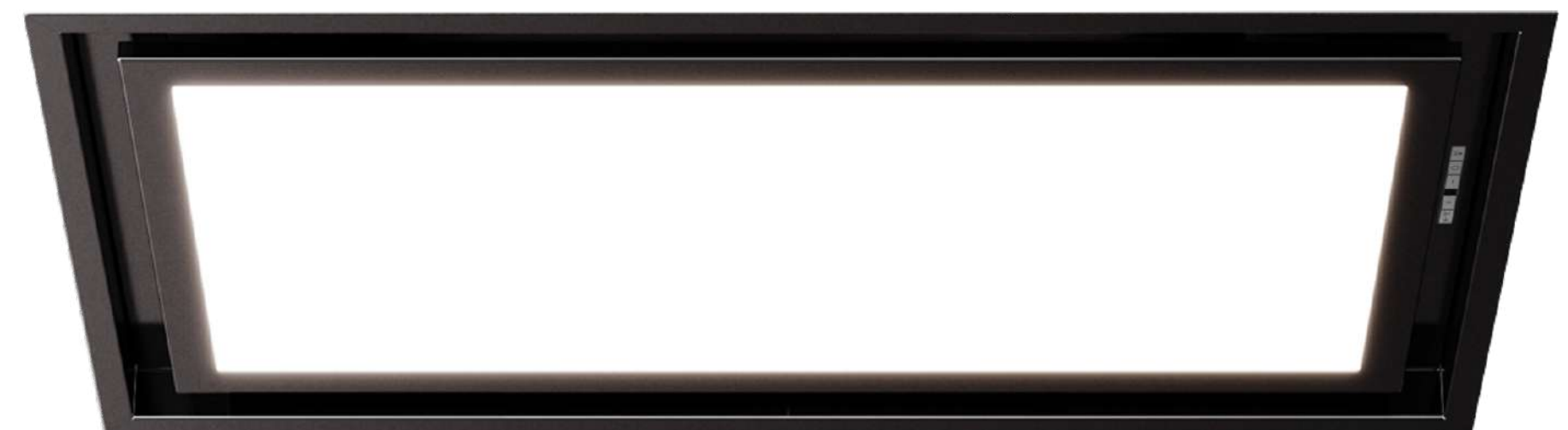
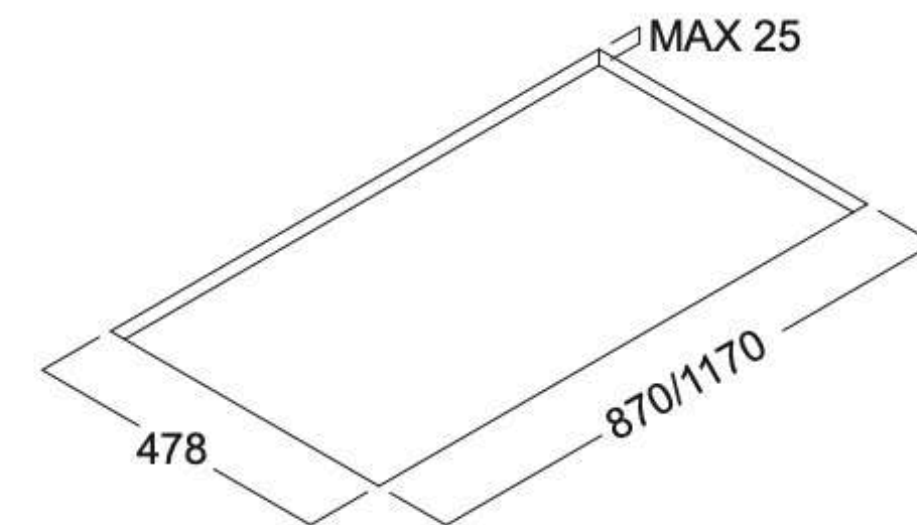
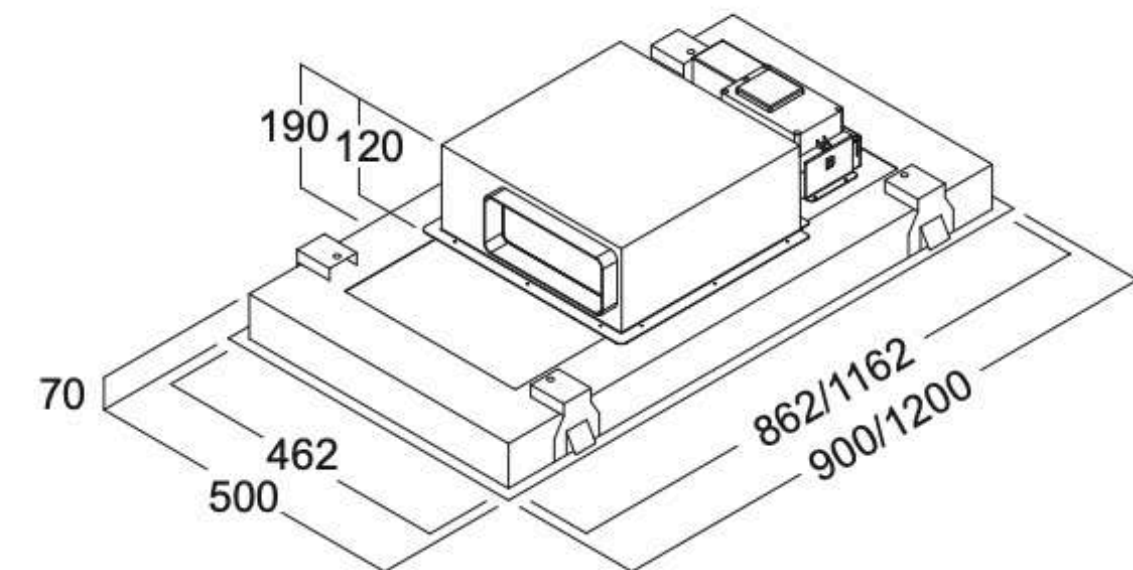
VELACUCINA - CEILING SERIES COOKER HOOD - ORION

Description

- Ceiling Hood
- 60 - 90 - 120 x 50 cm
- Full Body Inox & Glass
- Large LED Light 37W
- Dimmable Light
- Parameter Filtering
- Duct & Filtering Version
- Long Life Filter
- Remote Control
- 3 Speed + Booster
- 740 M3/Hour
- Energy Efficient
- **5 Years Warranty**
- **Designed & Manufactured In Italy**
- Available in 60 - 90 - 120 in Black & Stainless Steel

Price Excl. VAT (60 cm): 47,500,000 VND
Price Excl. VAT (90 cm): 52,500,000 VND
Price Excl. VAT (120 cm): 57,500,000 VND

UPSCALE



VELACUCINA - CEILING SERIES

COOKER HOOD - VOLANS

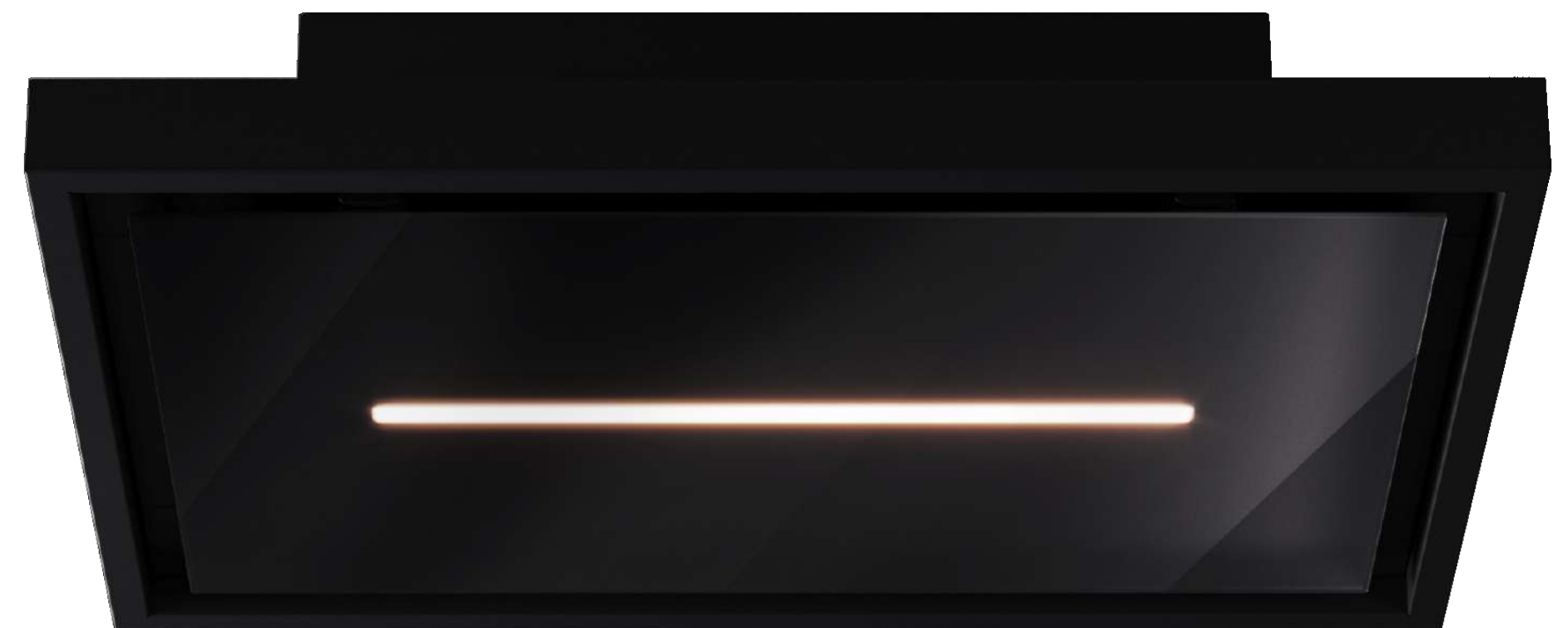
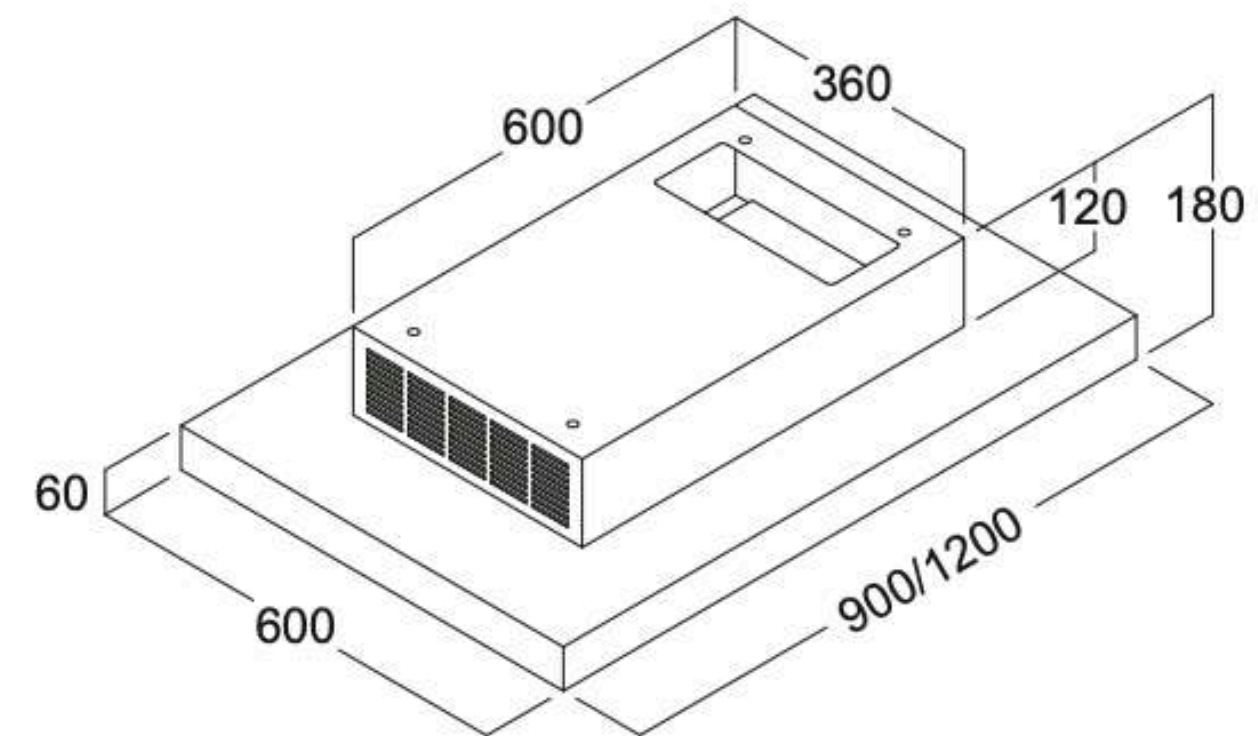
UPSCALE

Description

- Ceiling Hood
- 90 - 120 x 30 cm
- Full Body Inox & Glass
- LED Strip Light 1x15W
- Dimmable Light
- Parameter Filtering
- Duct & Filtering Version
- Ceramic Filter
- Remote Control
- 3 Speed + Booster
- 450 M3/Hour
- Energy Efficient
- **5 Years Warranty**
- **Designed & Manufactured In Italy**
- Available in 90 - 120 in Matt Black & Matt Whit

Price Excl. VAT (90 cm): 43,500,000 VND

Price Excl. VAT (120 cm): 48,500,000 VND



BARAZZA - CEILING SERIES

COOKER HOOD CEILING - 1KBAS9

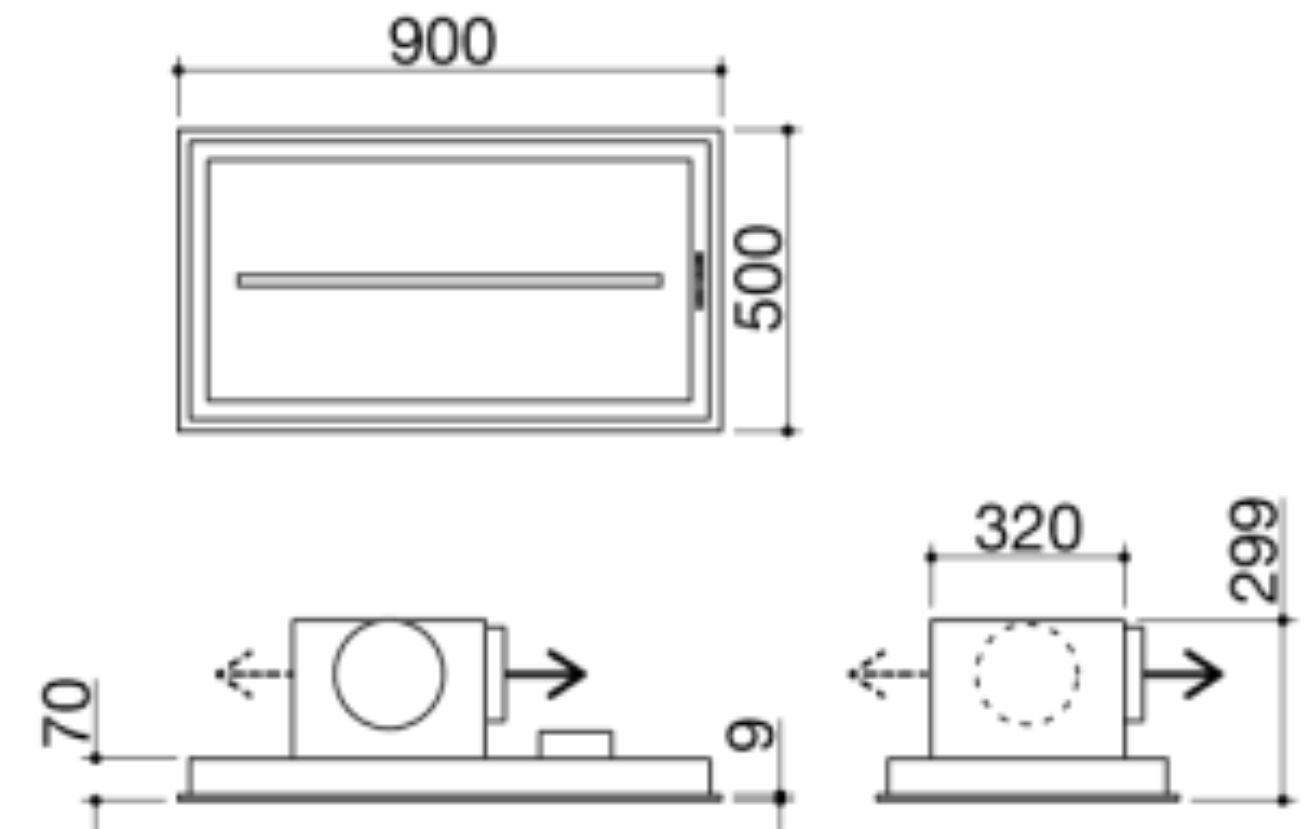
UPSCALE

Description

- AISI 304 stainless steel
- Perimeter extraction
- Optional filtering extraction
- Speeds: 3 + intensive speed
- Air flow: 1000 m³/h
- Pressure: 409 Pa
- Noise level: 41-72 Lw (dBA)
- Duct exit: \varnothing 150 mm + reducer \varnothing 120 mm
- Lighting: 3000 K LED strip lighting
- Soft-Touch electronic controls
- Filters: stainless steel
- Functions: filter maintenance warning, air circulation
- Remote control included
- Set up for remote control from Barazza scales
- Maximum absorbed power: 0.3 kW
- cut out: 87×47.6 cm
- **5 Years Warranty**
- **Designed & Manufactured In Italy**
- Available in 90 - 120

Price Excl. VAT (90 cm): 59,000,000 VND

Price Excl. VAT (120 cm): 65,500,000 VND



SINK - BỒN RỬA

BARAZZA - STAINLESS SINK

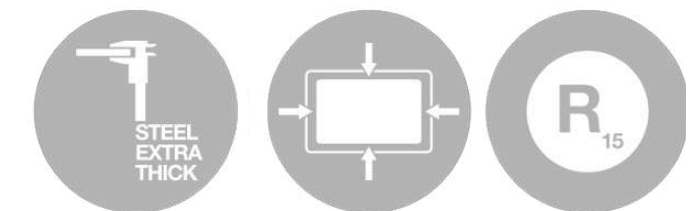
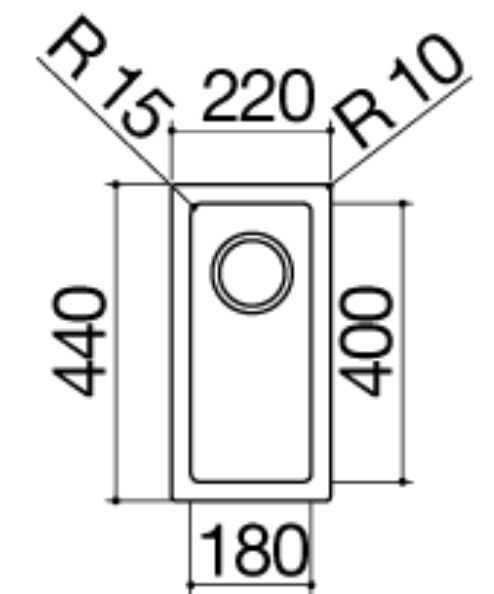
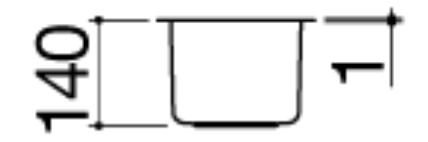
1 Bowl - 18 x 40 cm - 1X1840I

Description

- Extra thick stainless steel AISI 304
 - 18x40x14 h cm bowl
 - Equipment: 3" ½, basket strainer waste, overflow with perimeter overflow
 - Base unit for bowls:
 - Built-in and flush: 30 cm
 - Undermounted: 40 cm
 - 20×42 cm cut out + notch for overflow
 - flush-top and undermounted: see technical sheet
 - **5 Years Warranty**
 - **Designed & Manufactured In Italy**
-
- Available in different sizes & finishes

Price Excluding VAT: 10,350,000 VND

UPSCALE



BARAZZA - STAINLESS SINK

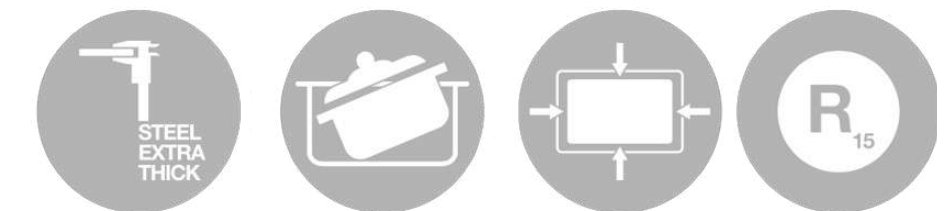
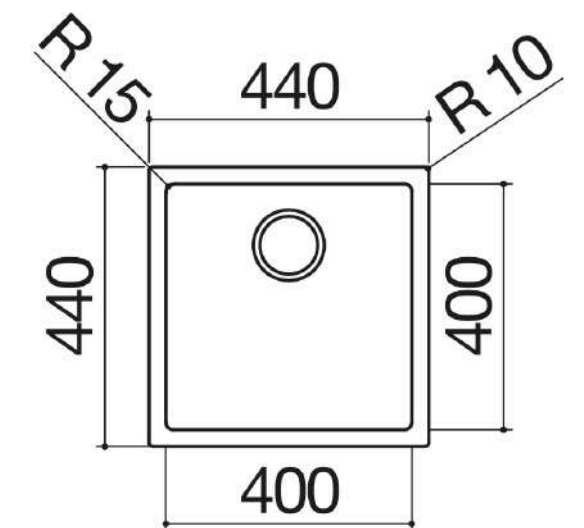
1 Bowl - 40 x 40 cm - 1X4040S

Description

- Extra thick stainless steel AISI 304
 - Extreme Durability
 - Bowl with radius "15"
 - 40x40x19.5 H cm bowl
 - Equipment: 3" ½, basket strainer waste,
 - Perimeter overflow
 - 50 cm base unit for bowls (Built in - Flush)
 - 60 cm base unit (undermounted)
 - 42x42 cm cut out
 - **5 Years Warranty**
 - **Designed & Manufactured In Italy**
-
- Available in different sizes & finishes

Price Excluding VAT: 9,250,000 VND

UPSCALE



BARAZZA - STAINLESS SINK

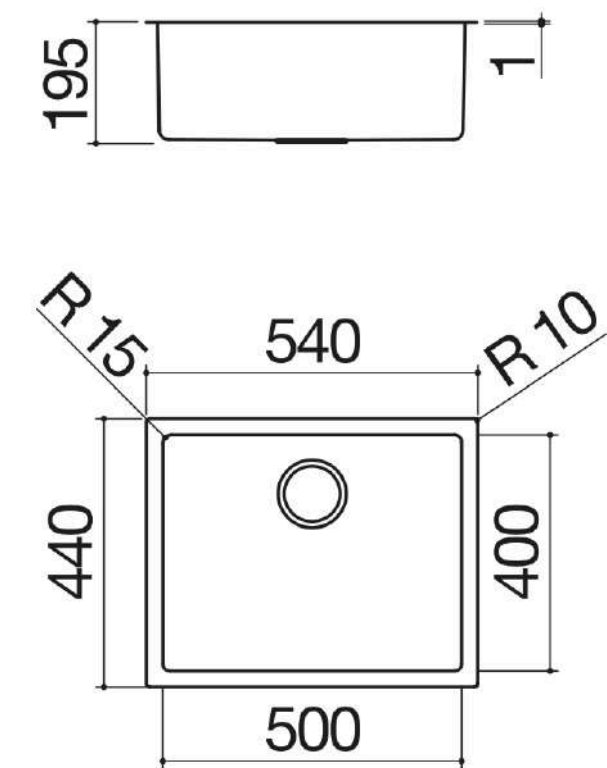
1 Bowl - 50 x 40 cm - 1X5040S

Description

- Extra thick stainless steel AISI 304
 - Extreme Durability
 - Bowl with radius "15"
 - 50x40x19.5 H cm bowl
 - Equipment: 3" ½, basket strainer waste,
 - Perimeter overflow
 - 60 cm base unit for bowls (Built in - Flush)
 - 80 cm base unit (undermounted)
 - 52x42 cm cut out
 - **5 Years Warranty**
 - **Designed & Manufactured In Italy**
-
- Available in different sizes & finishes

Price Excluding VAT: 10,750,000 VND

UPSCALE



BARAZZA - STAINLESS SINK

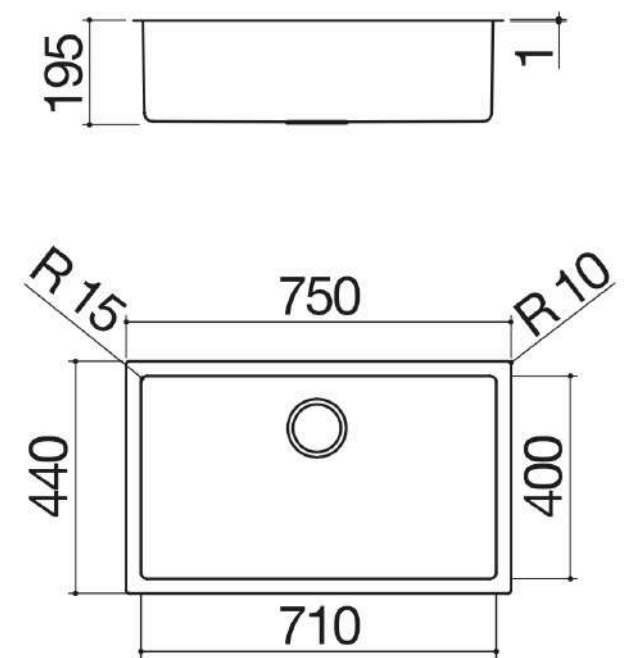
1 Bowl - 71 x 40 cm - 1X7040S

Description

- Extra thick stainless steel AISI 304
 - Extreme Durability
 - Bowl with radius "15"
 - 71x40x19.5 H cm bowl
 - Equipment: 3" ½, basket strainer waste,
 - Perimeter overflow
 - 80 cm base unit for bowls (Built in - Flush)
 - 90 cm base unit (undermounted)
 - 73x42 cm cut out
 - **5 Years Warranty**
 - **Designed & Manufactured In Italy**
-
- Available in different sizes & finishes

Price Excluding VAT: 14,500,000 VND

UPSCALE



BARAZZA - STAINLESS SINK

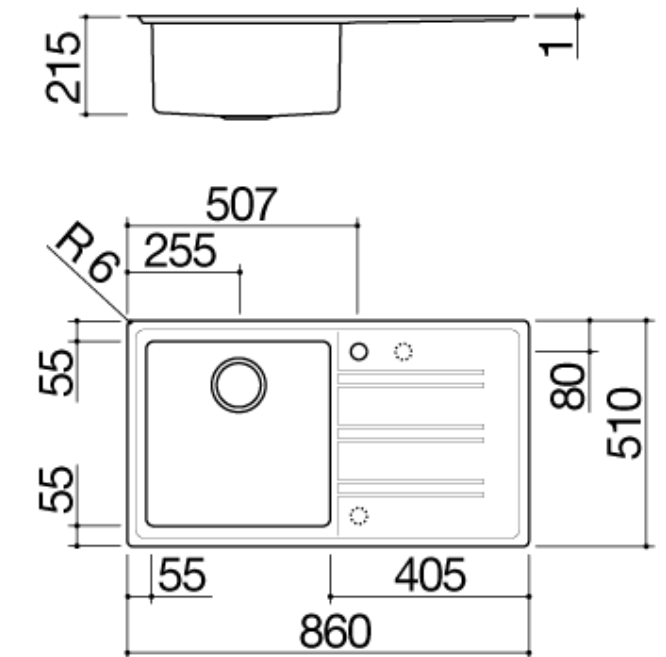
1 Bowl - Drainer - 86 x 51 cm - 1LES91PD

Description

- Extra thick stainless steel AISI 304
- Extreme Durability
- Bowl with radius "15"
- 40x40x21.5 h cm bowl
- Equipment: 3" ½, basket strainer waste,
- Stainless steel drain cover
- Perimeter overflow
- 60 cm base unit for bowls
- Drainer available left or right
- 84x49 cm cut out
- Excluding Water Tap
- **5 Years Warranty**
- **Designed & Manufactured In Italy**
- Available in different sizes & finishes

Price Excluding VAT: 14,500,000 VND

UPSCALE



BARAZZA - STAINLESS SINK

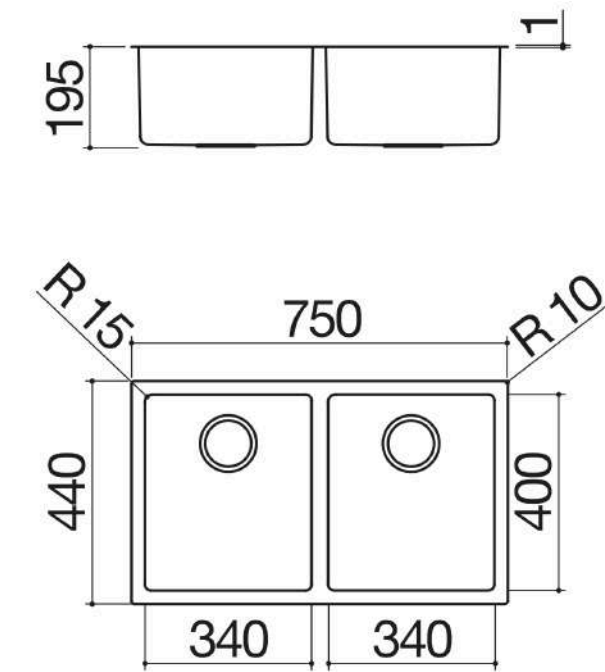
2 Bowl - 75 x 44 cm - 1X842S

Description

- Extra thick stainless steel AISI 304
 - Extreme Durability
 - Bowl with radius "15"
 - 34x40x19.5 H cm bowl
 - Equipment: 3" ½, basket strainer waste,
 - Perimeter overflow
 - 80 cm base unit for bowls (Built in - Flush)
 - 90 cm base unit (undermounted)
 - 73x42 cm cut out
 - **5 Years Warranty**
 - **Designed & Manufactured In Italy**
-
- Available in different sizes & finishes

Price Excluding VAT: 23,500,000 VND

UPSCALE



BARAZZA - SOUL SINK - (HIGH EDGE)

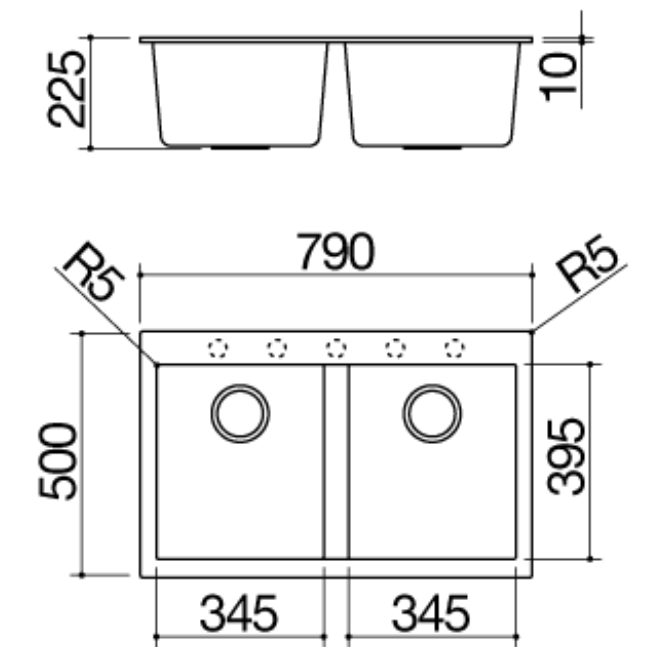
2 Bowl - 790 x 500 - 1LSO82N

Description

- Granite Sink (Black)
 - Extreme Durability
 - Bowl with radius "5"
 - 345x395x225 H mm bowl
 - Equipment: 3" ½, basket strainer waste,
 - Perimeter overflow
 - 80 cm base unit for bowls
 - Undermounted
 - 77x48 cm cut out
 - **5 Years Warranty**
 - **Designed & Manufactured In Italy**
-
- Available in different sizes & finishes

Price Excluding VAT: 18,500,000 VND

UPSCALE



BARAZZA - SOUL SINK (UNDERMOUNTED)

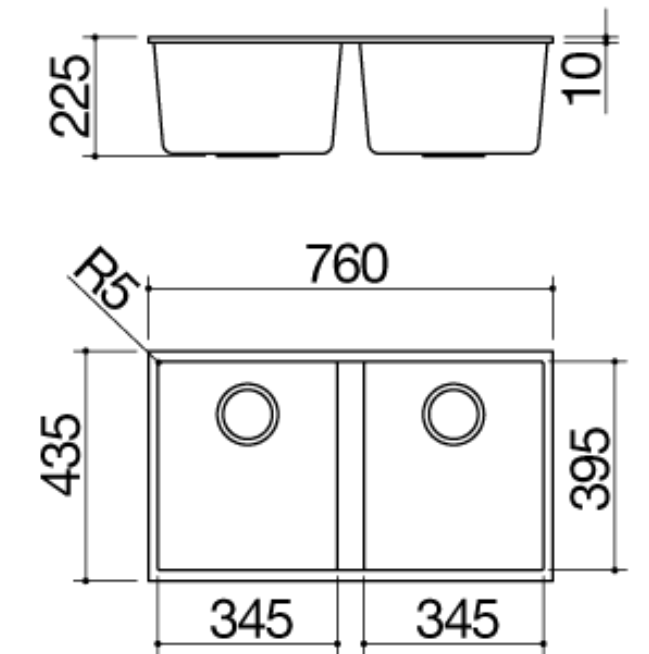
2 Bowl - 760 x 435 - 1QSO82NS

Description

- Granite Sink (Black)
 - Extreem Durability
 - Bowl with radius "5"
 - 345x395x225 H mm bowl
 - Equipment: 3" ½, basket strainer waste,
 - Perimeter overflow
 - 80 cm base unit for bowls
 - Undermounted
 - **5 Years Warranty**
 - **Designed & Manufactured In Italy**
- Available in different sizes & finishes

Price Excluding VAT: 20,500,000 VND

UPSCALE



BARAZZA - SOUL SINK (UNDERMOUNTED)

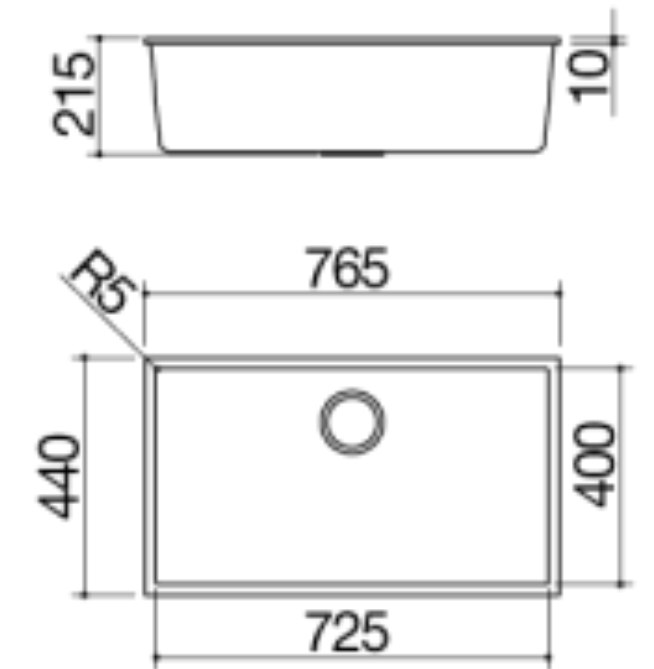
1 Bowl - 72.5x40x20 - 1QSO81NS

Description

- Granite Sink (Black)
- 72.5x40x20 h cm bowl
- Equipment: 3" ½, basket strainer waste,
- Stainless Steel drain cover,
- Overflow
- 80 cm base unit for bowl
- Undermounted: see technical sheet
- **5 Years Warranty**
- **Designed & Manufactured In Italy**

Price Excluding VAT: 18,500,000 VND

UPSCALE



BARAZZA - STAINLESS SINK

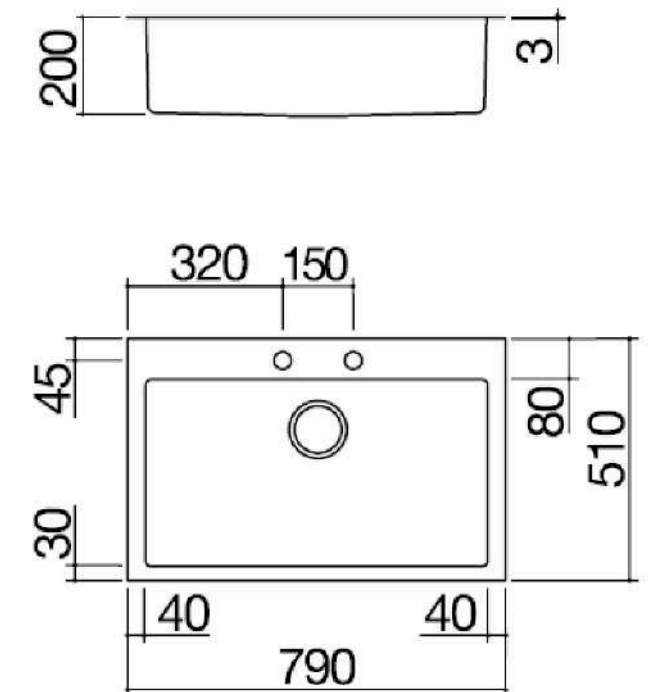
1 Bowl - 79 x 51 cm - 1LUN81

Description

- Extra thick vintage stainless steel AISI 304
 - Extreme Durability
 - Bowl with radius "15"
 - 2 Standard Holes
 - 71x40x19.5 H cm bowl
 - Equipment: 3" ½, basket strainer waste,
 - Perimeter overflow
 - 80 cm base unit for bowls (Built in - Flush)
 - 77x49 cm cut out
 - **5 Years Warranty**
 - **Designed & Manufactured In Italy**
-
- Available in different sizes & finishes

Price Excluding VAT: 27,500,000 VND

UPSCALE



BARAZZA - STAINLESS SINK

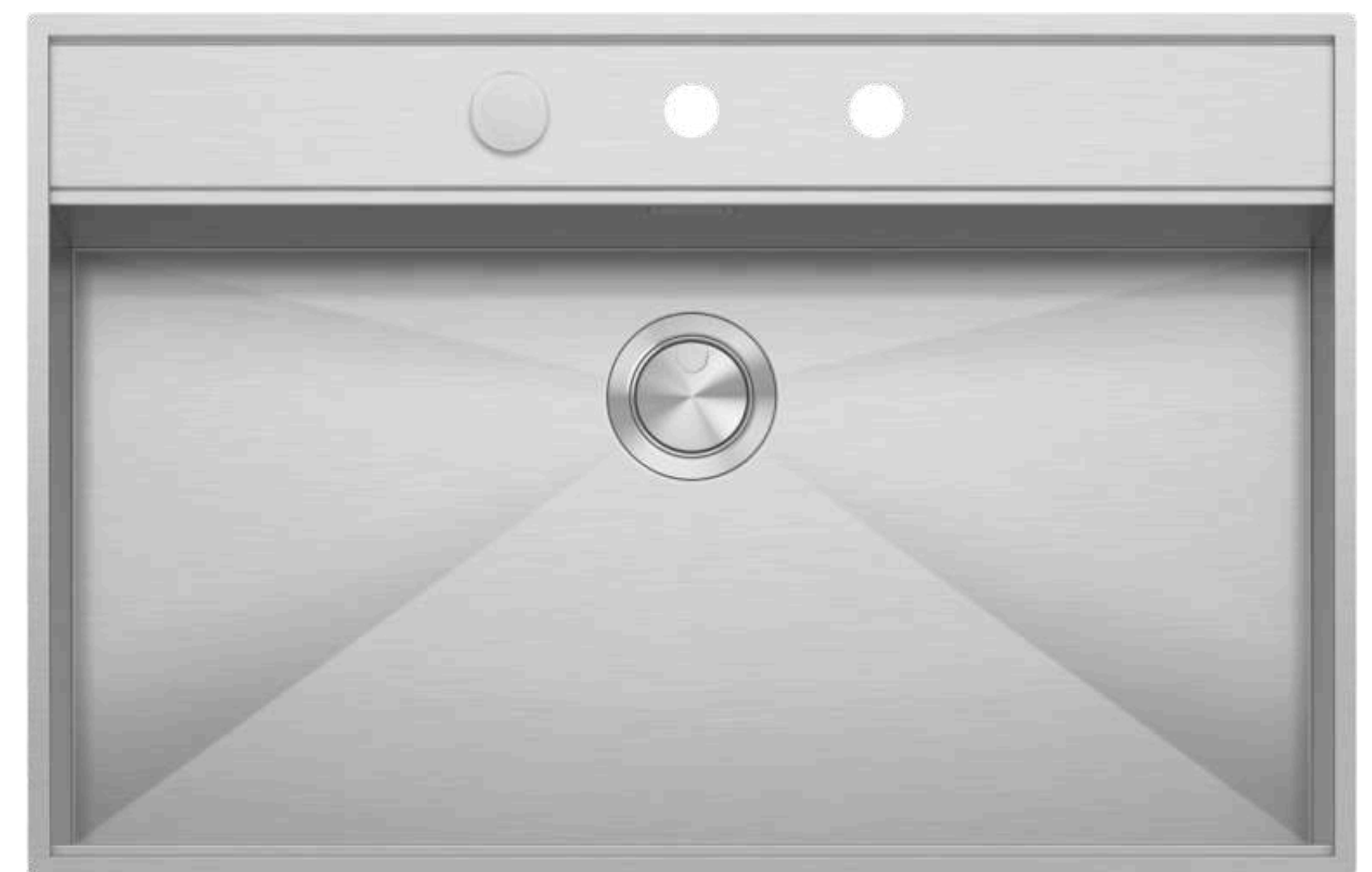
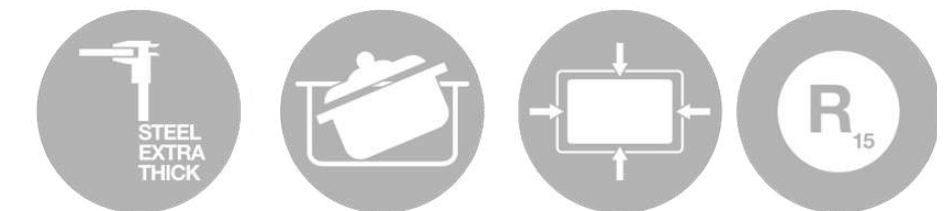
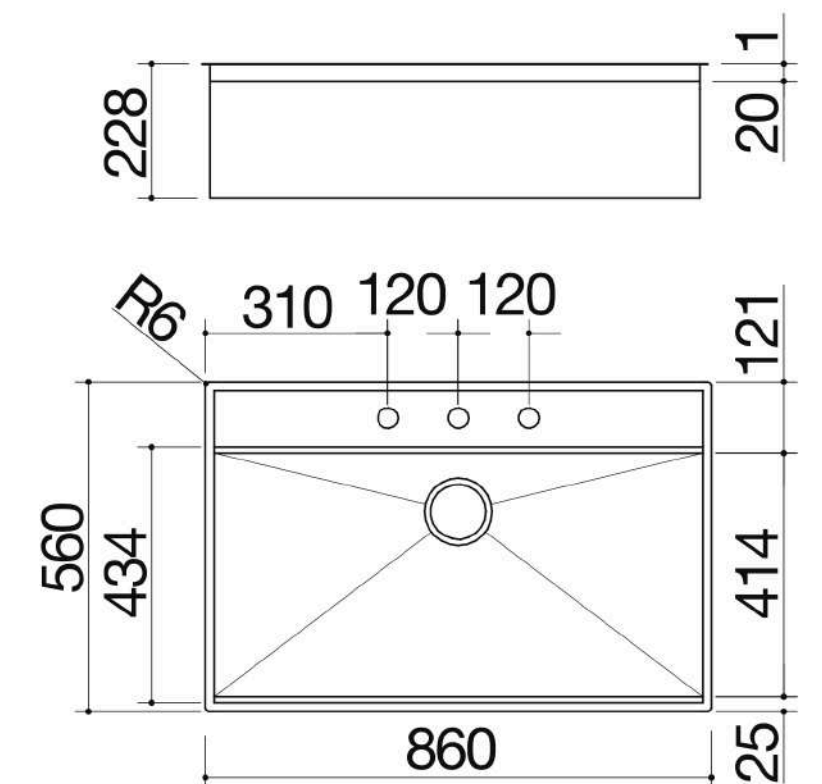
1 Bowl - 86 x 56 cm - 1LFX91

Description

- Extra thick stainless steel AISI 304
 - Extreem Durability
 - Bowl with radius "15"
 - 86x43.4x22.8 H cm bowl
 - Equipment: 3" ½, basket strainer waste,
 - Perimeter overflow
 - 90 cm base unit (undermounted)
 - 84x54 cm cut out
 - **5 Years Warranty**
 - **Designed & Manufactured In Italy**
-
- Available in different sizes & finishes

Price Excluding VAT: 29,500,000 VND

UPSCALE



BARAZZA - STAINLESS SINK + ACCESSORIES & TAP KIT

1 Bowl - 86 x 50 cm - 1LES91RK

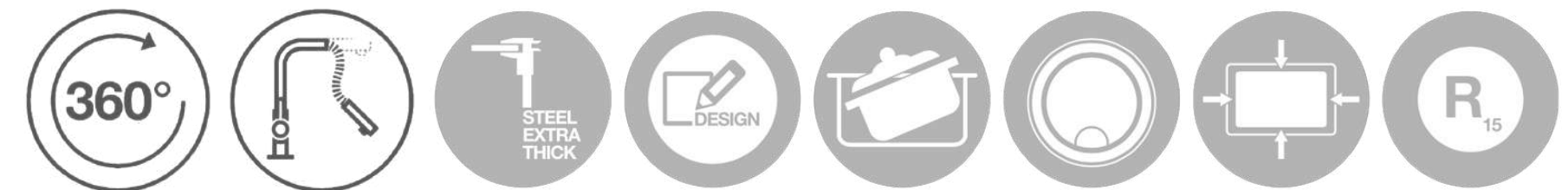
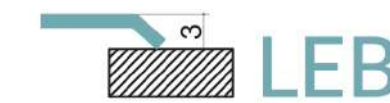
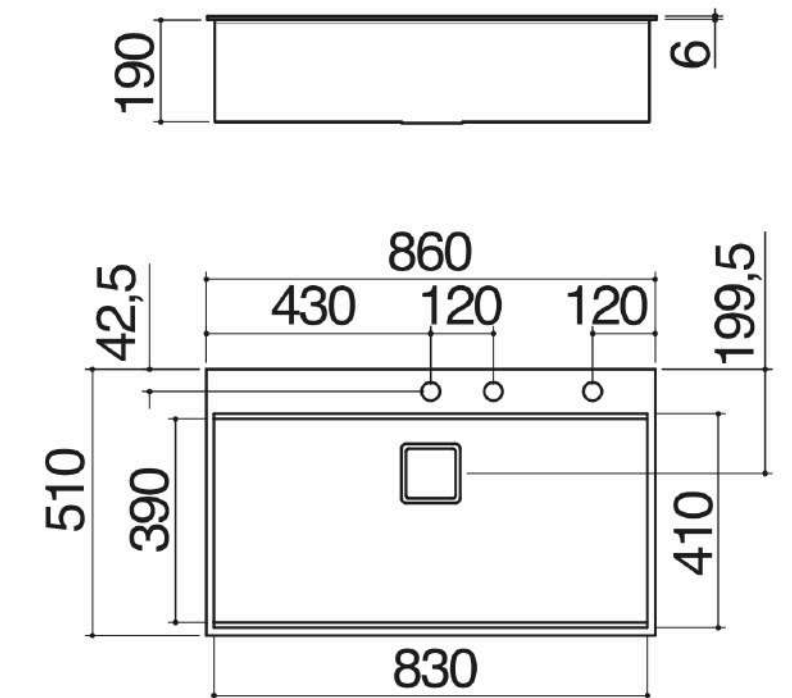
Description

- Extra thick stainless steel AISI 304
- Extreme Durability
- Bowl with radius "15"
- 71x40x2.15h cm bowl
- Equipment: 3" ½, basket strainer waste.
- Multipurpose Chopping Board - 1TOBF26N
- Vegetable Stainless Strainer + Draining Rack - 1VSOF
- Steel Shower Mixer - 1RUBMSTD
- Perimeter overflow
- 90 cm base unit for bowl
- Drainer available left or right
- 84x48 cm cut out
- **5 Years Warranty**
- **Designed & Manufactured In Italy**

- Available in different sizes & finishes

Price Excluding VAT: 44,500,000 VND

UPSCALE



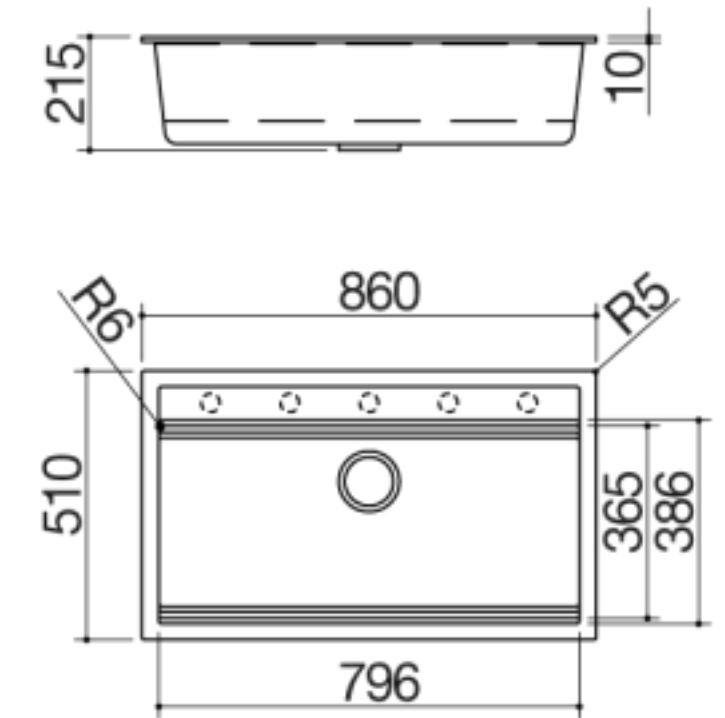
BARAZZA - SOUL SINK - 1 Bowl - 860 x 510 - 1LCY91NK

Description

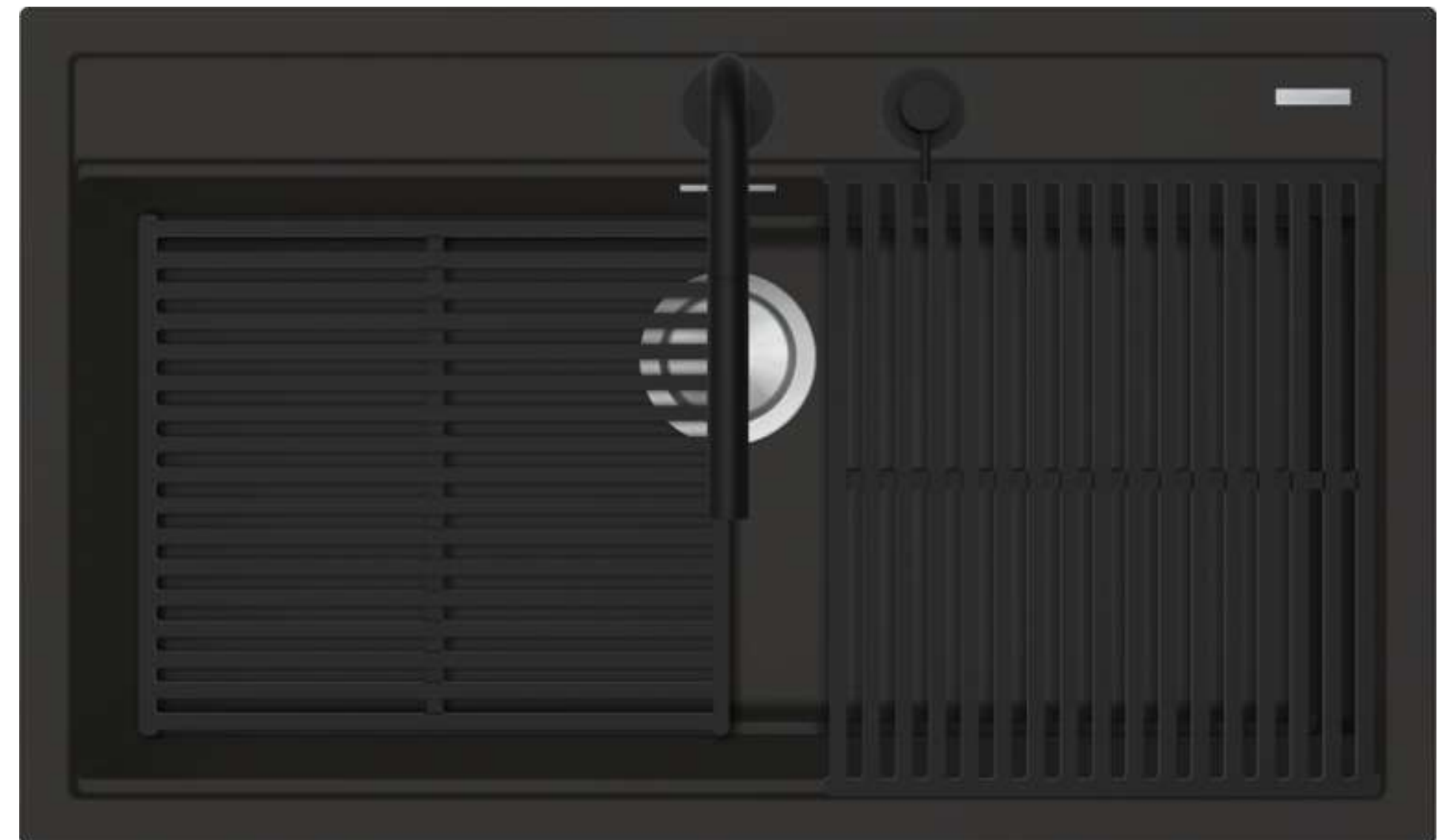
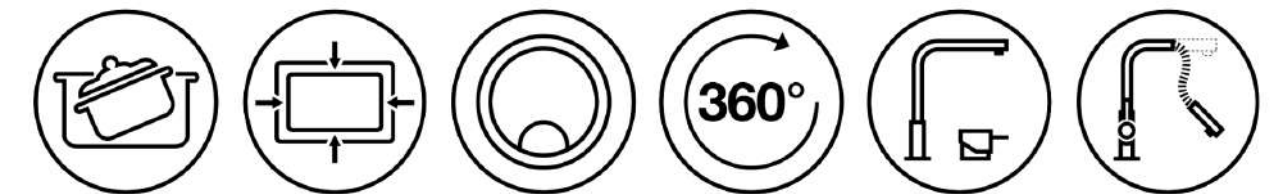
- Black Granite Sink
 - Extreme Durability
 - 2 HPL Supporting Racks
 - 796 x 365 x 200 H mm bowl
 - Equipment: 3" ½, basket strainer waste,
 - Perimeter overflow
 - 80 cm base unit for bowls
 - Stainless Steel Drain Cover
 - 84x48 cm cut out
 - Water Tap Included
 - Pull Out Shower Head of Tap
 - **5 Years Warranty**
 - **Designed & Manufactured In Italy**
-
- Available in different sizes & finishes

Price Excluding VAT: 48,500,000 VND

UPSCALE



 **IBAS**



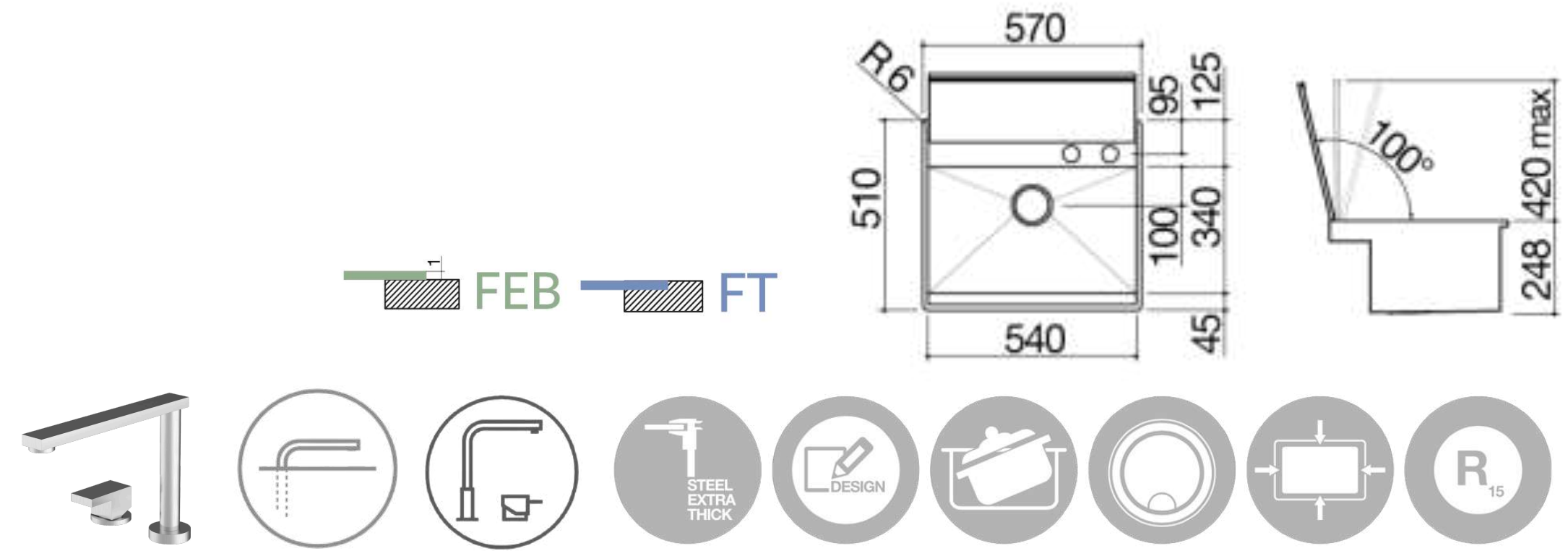
BARAZZA - STAINLESS SINK + COVER + TELESCOPIC WATER MIXER

1 Bowl - 57 x 51 cm - 1LLB60

UPSCALE

Description

- Extra thick stainless steel AISI 304
- Extreme Durability
- Bowl with radius "0"
- 54x34x18.3 h cm bowl
- Removable, Stainless Steel Cover with Manual Opening
- Equipment: 3" ½, basket strainer waste.
- B_Free Telescopic Mixer Tap 1RUBMFA
- Perimeter overflow
- 60 cm base unit for bowl
- Drainer available left or right
- 56x49 cm cut out
- **5 Years Warranty**
- **Designed & Manufactured In Italy**
- Available in 57 x 51 cm



Price Excluding VAT: 72,500,000 VND

BARAZZA - STAINLESS SINK + COVER + TELESCOPIC MIXER

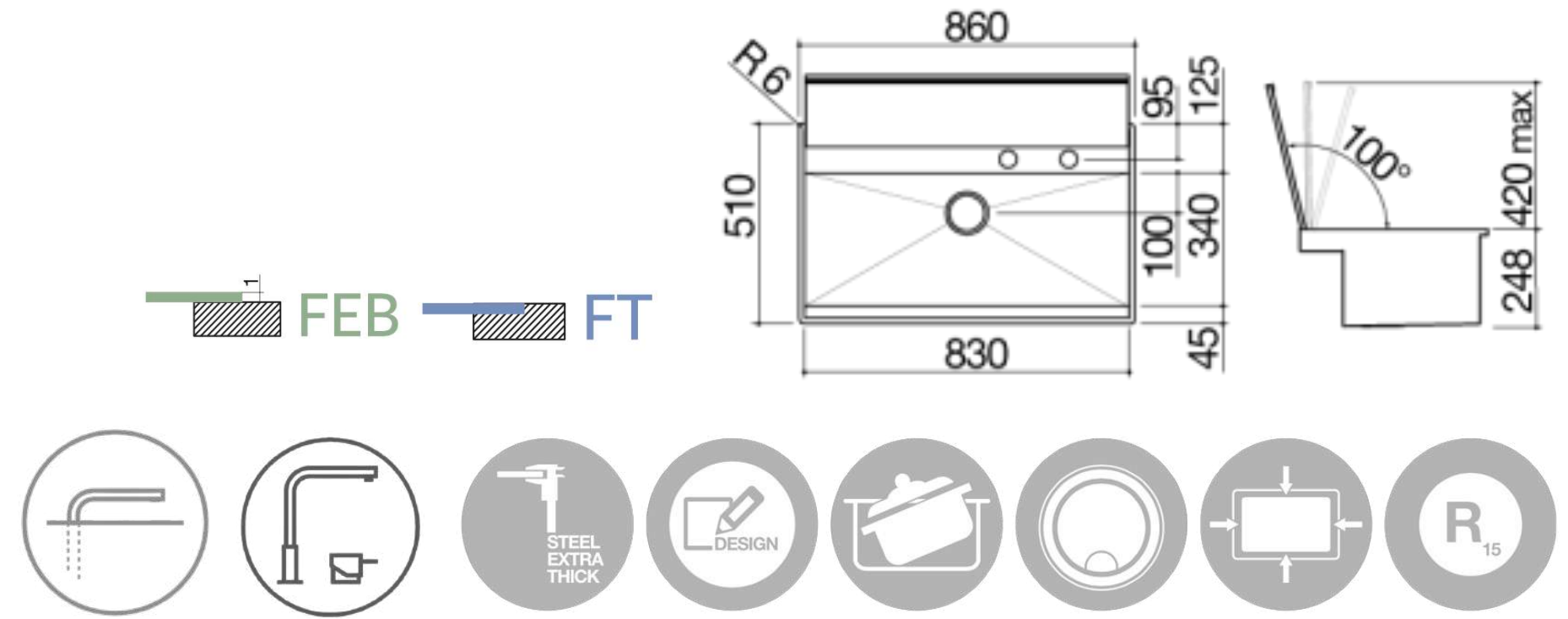
1 Bowl - 86 x 51 cm - 1LLB90

UPSCALE

Description

- Extra thick stainless steel AISI 304
- Extreme Durability
- Bowl with radius "0"
- 83x34x18.3h cm bowl
- Removable, Stainless Steel Cover with Manual Opening
- Equipment: 3" ½, basket strainer waste.
- B_Free Telescopic Mixer Tap 1RUBMFA
- Perimeter overflow
- 90 cm base unit for bowl
- Drainer available left or right
- 85x49 cm cut out
- **5 Years Warranty**
- **Designed & Manufactured In Italy**
- Available in 57 x 51 cm

Price Excluding VAT: 75,500,000 VND



BARAZZA HIDDEN SINK +
DRAINER ST.STEEL

UPSCALE



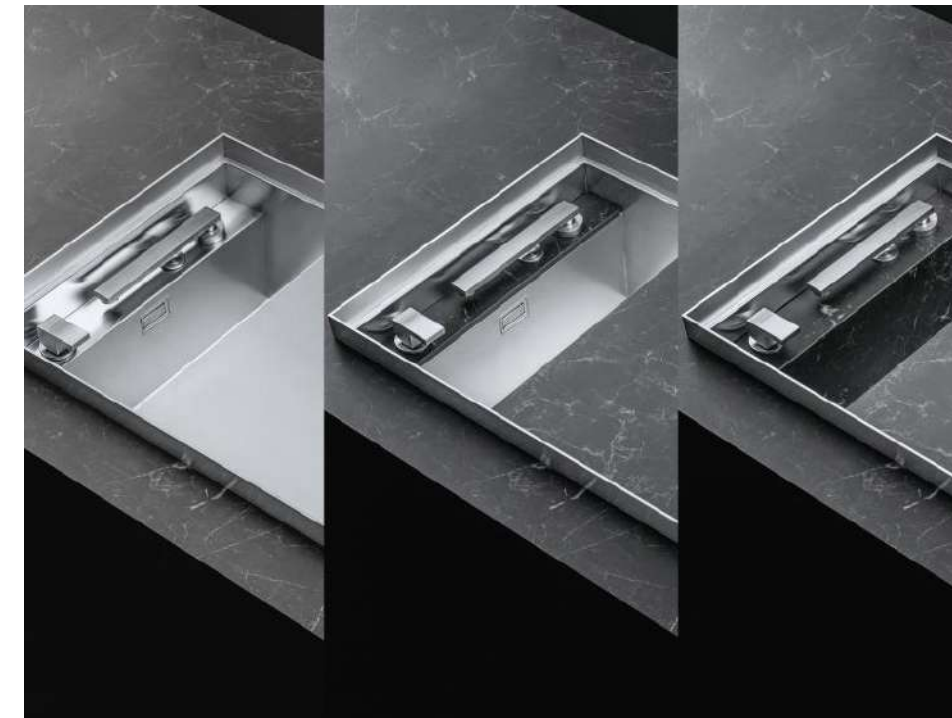
BARAZZA - MIZU SINK + SLIDING COVER

1 Bowl - 1000 x 520 - 1LMZ105

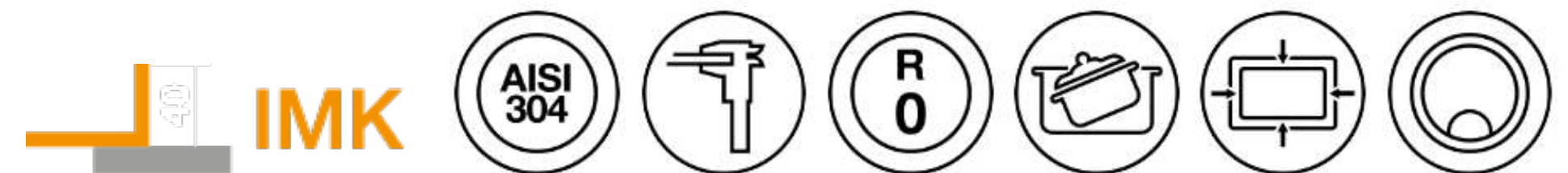
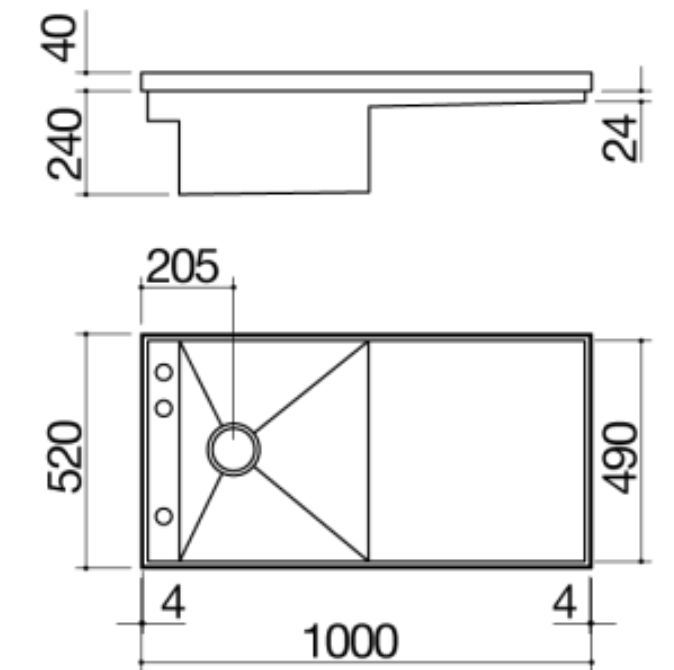
Description

- Extreme Durability
- Perimeter frame h 40 mm in stainless steel 4 mm thick
- Extra thick stainless steel AISI 304
- Bowl with radius "0" and lowering
- 42x49x17.2 h cm bowl
- Equipment: 3" ½ waste, Smart pop-up plug, stainless steel drain cover, perimeter overflow
- Tap hole: 3 standard holes
- 60 cm base unit for bowl
- 99x51 cm cut out
- Reversible
- **5 Years Warranty**
- **Designed & Manufactured In Italy**

Price Excluding VAT: 62,500,000 VND



UPSCALE



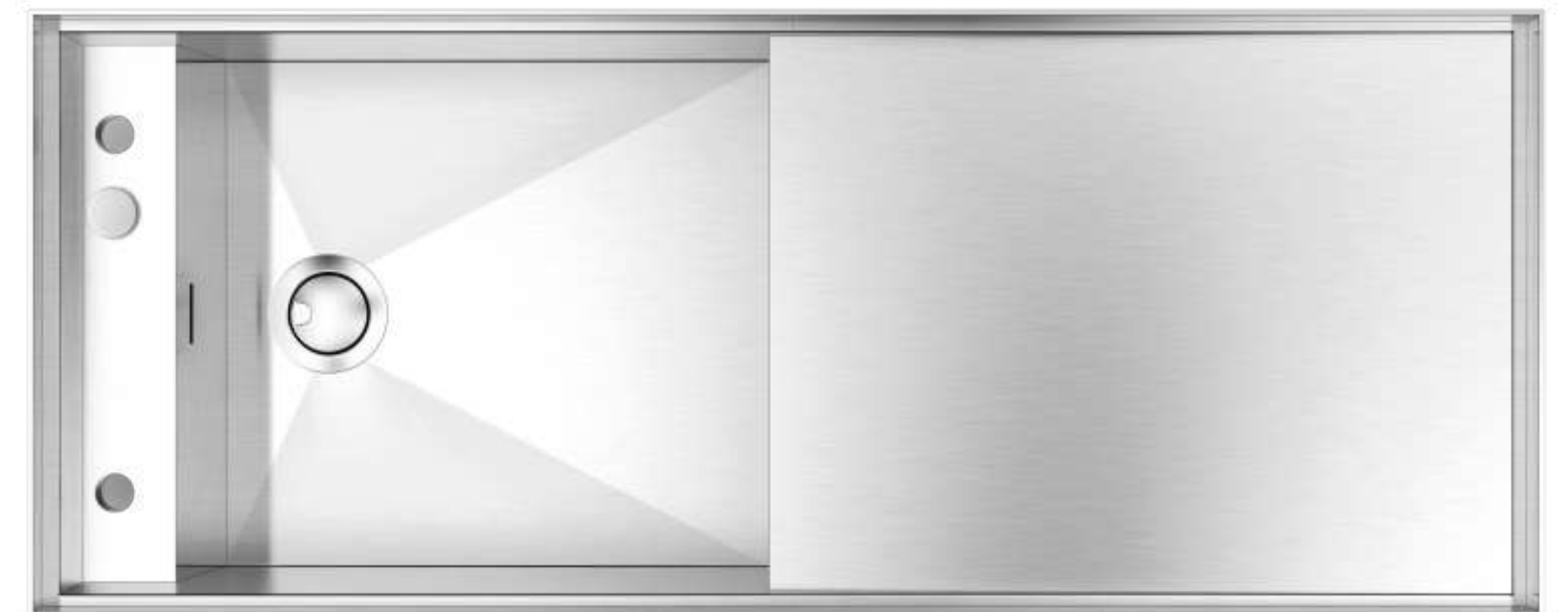
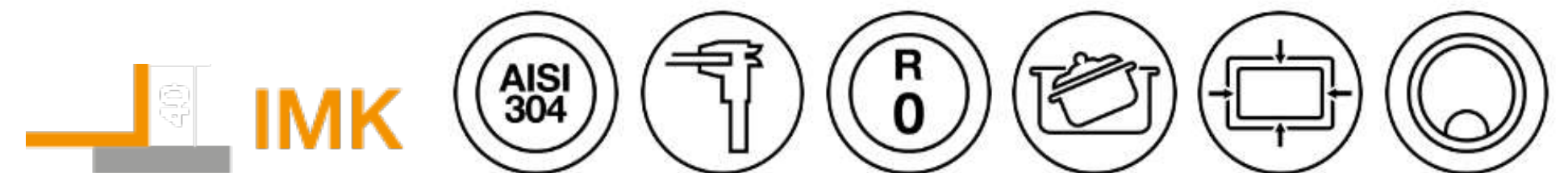
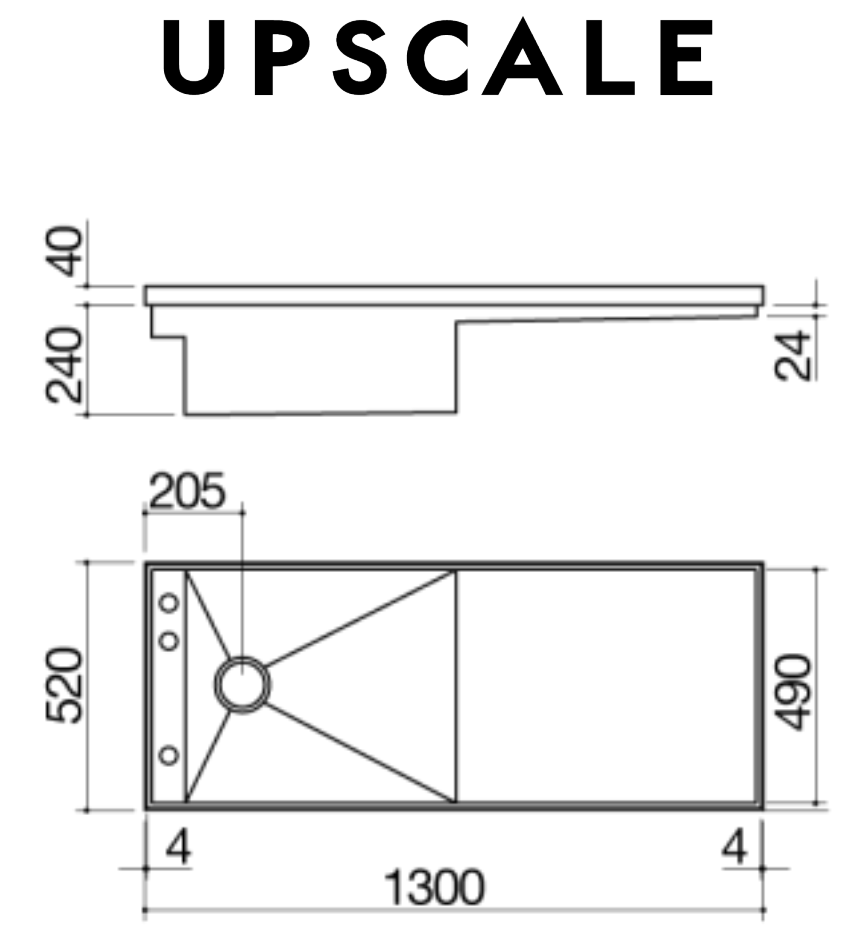
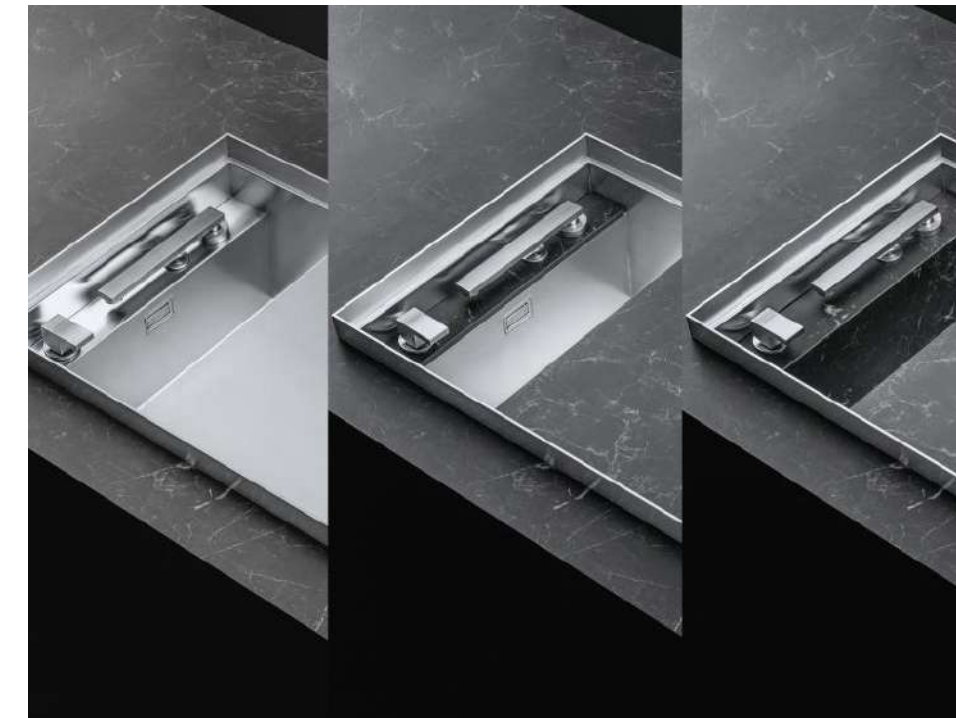
BARAZZA - MIZU SINK + SLIDING COVER

1 Bowl - 1300 x 520 - 1LMZ135

Description

- Extreme Durability
- Perimeter frame h 40 mm in stainless steel 4 mm thick
- Extra thick stainless steel AISI 304
- Bowl with radius "0" and lowering
- 57x49x17.2 h cm bowl
- Equipment: 3" ½ waste, Smart pop-up plug, stainless steel drain cover, perimeter overflow
- Tap hole: 3 standard holes
- 80 cm base unit for bowl
- 129x51 cm cut out
- Reversible
- **5 Years Warranty**
- **Designed & Manufactured In Italy**

Price Excluding VAT: 75,000,000 VND



UPSCALE

WATER MIXERS & TAPS
VÒI RỬA CHÉN

BARAZZA - WATER TAP

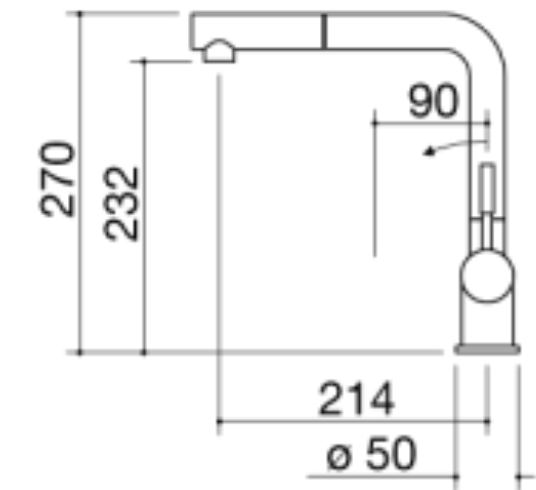
AISI 304 - 1RUBMFSC

Description

- Chrome Finish
- Cartridge: ceramic discs
- Tap rotation: 360°
- Tap base: \varnothing 50 mm
- Tap hole: \varnothing 35 mm
- **5 Years Warranty**
- **Designed & Manufactured In Italy**

Price Excluding VAT: 4,950,000 VND

UPSCALE



BARAZZA - WATER TAP

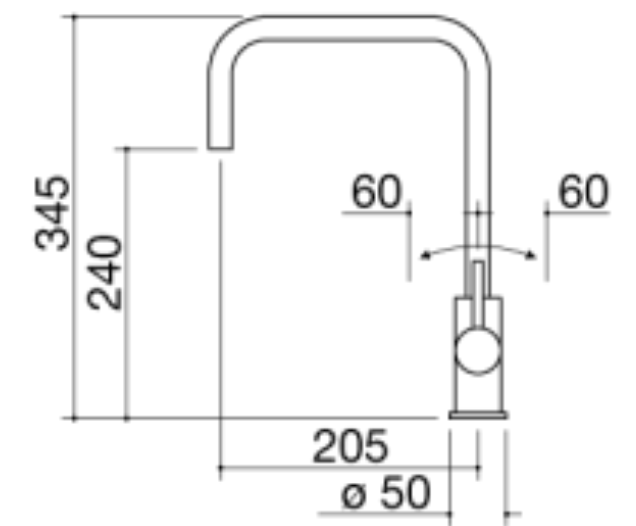
AISI 304 - 1RUBMBLC

Description

- Chrome Finish
- Cartridge: ceramic discs
- Tap rotation: 360°
- Tap base: \varnothing 50 mm
- Tap hole: \varnothing 35 mm
- **5 Years Warranty**
- **Designed & Manufactured In Italy**

Price Excluding VAT: 6,750,000 VND

UPSCALE



BARAZZA - WATER TAP + PULL OUT SHOWER HEAD

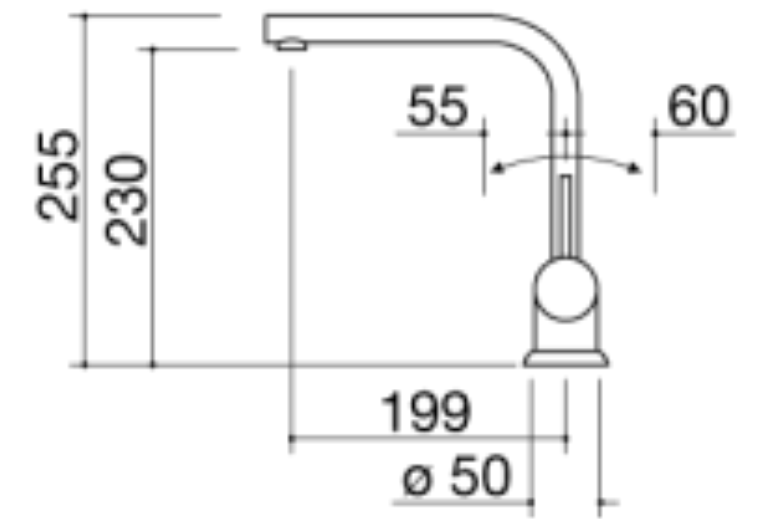
AISI 304 - 1RUBMSTD

UPSCALE

Description

- Stainless Steel Finish
- Pull Out Shower Head
- Cartridge: ceramic discs
- Tap rotation: 360°
- Tap base: \varnothing 50 mm
- Tap hole: \varnothing 35 mm
- **5 Years Warranty**
- **Designed & Manufactured In Italy**

Price Excluding VAT: 15,500,000 VND



Available in
Black Stainless Steel

BARAZZA - WATER TAP

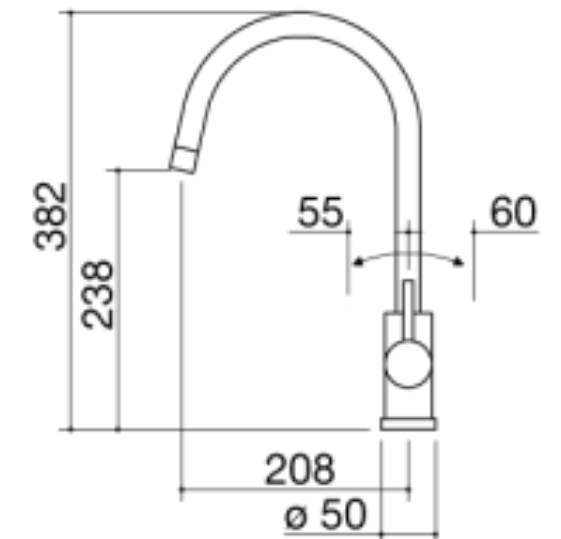
AISI 304 - 1RUBCY1

Description

- Black Stainless Steel Finish
- Cartridge: ceramic discs
- Tap rotation: 360°
- Tap base: \varnothing 50 mm
- Tap hole: \varnothing 35 mm
- **5 Years Warranty**
- **Designed & Manufactured In Italy**

Price Excluding VAT: 9,500,000 VND

UPSCALE



Available in
Satin Stainless Steel

BARAZZA - WATER TAP

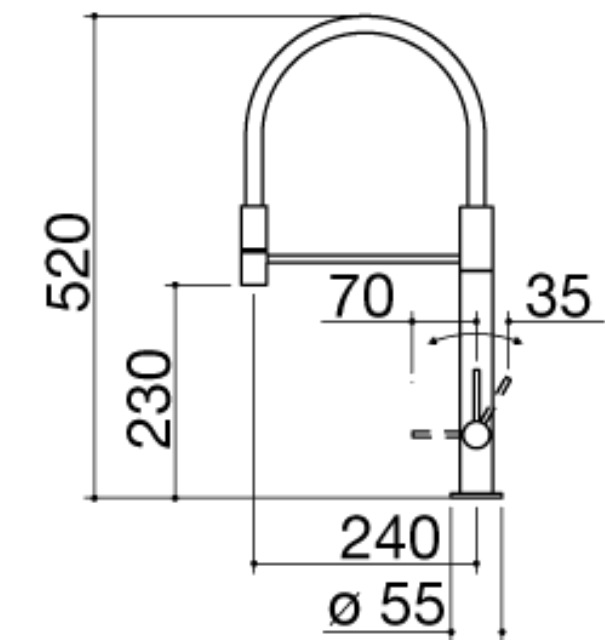
AISI 304 - 1RUBCY

Description

- Black Stainless Steel Finish
- Cartridge: ceramic discs
- Tap rotation: 360°
- Tap base: \varnothing 55 mm
- Tap hole: \varnothing 35 mm
- **5 Years Warranty**
- **Designed & Manufactured In Italy**

Price Excluding VAT: 9,500,000 VND

UPSCALE



Available in
Satin Stainless Steel

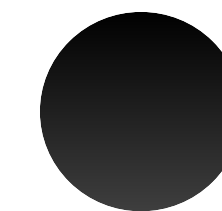
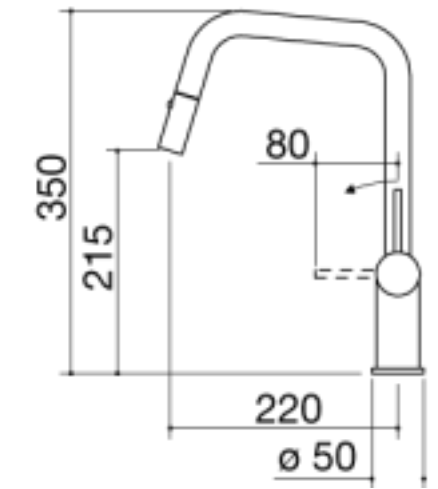
BARAZZA - WATER TAP + PULLOUT SHOWER HEAD

AISI 304 - 1RUBEVD

UPSCALE

Description

- Stainless Steel
- Cartridge: ceramic discs
- Tap rotation: 360°
- Tap base: \varnothing 50 mm
- Tap hole: \varnothing 35 mm
- **5 Years Warranty**
- **Designed & Manufactured In Italy**
- Available in Black



Available in
Black Stainless Steel

Price Excluding VAT: 16,500,000 VND

BARAZZA - WATER TAP FLEXI

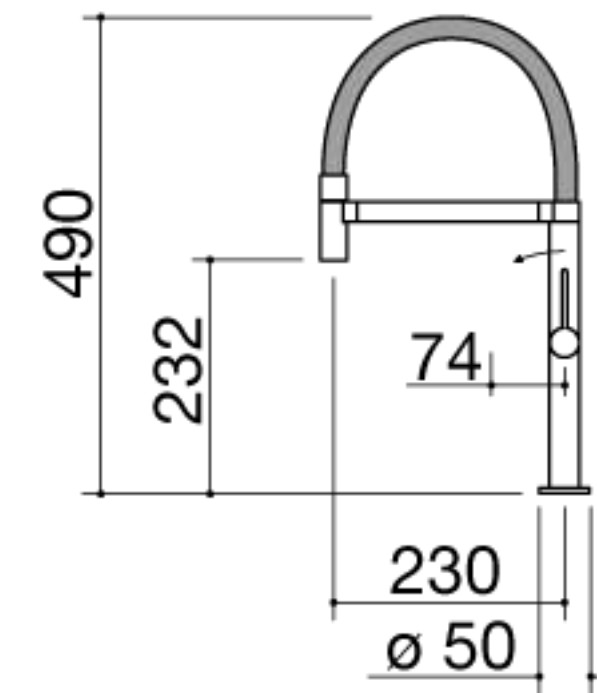
AISI 304 - 1RUBMFX

Description

- Extra thick stainless steel AISI 304
- Extreme Durability
- Cartridge: ceramic discs
- Tap rotation: 360°
- Minimum height: 71 mm
- Tap base: \varnothing 55 mm
- Control base: N/A
- Tap hole: \varnothing 35 mm
- Control hole: N/A
- **5 Years Warranty**
- **Designed & Manufactured In Italy**

Price Excluding VAT: 26,500,000 VND

UPSCALE



BARAZZA - WATER TAP + PULLOUT SHOWER HEAD

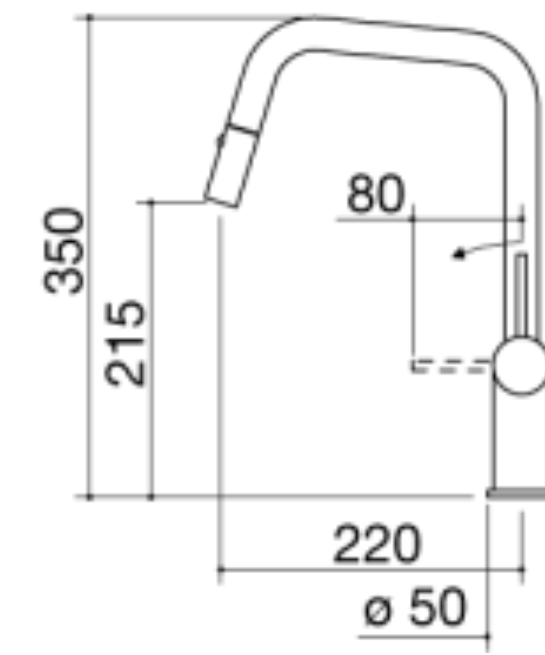
AISI 304 - 1RUBEVDK

Description

- Stainless Steel Finish
- Pull Out Shower Head
- Double Dispensing
- Cartridge: ceramic discs
- Tap rotation: 360°
- Tap base: \varnothing 50 mm
- Tap hole: \varnothing 35 mm
- **5 Years Warranty**
- **Designed & Manufactured In Italy**

Price Excluding VAT: 17,750,000 VND

UPSCALE



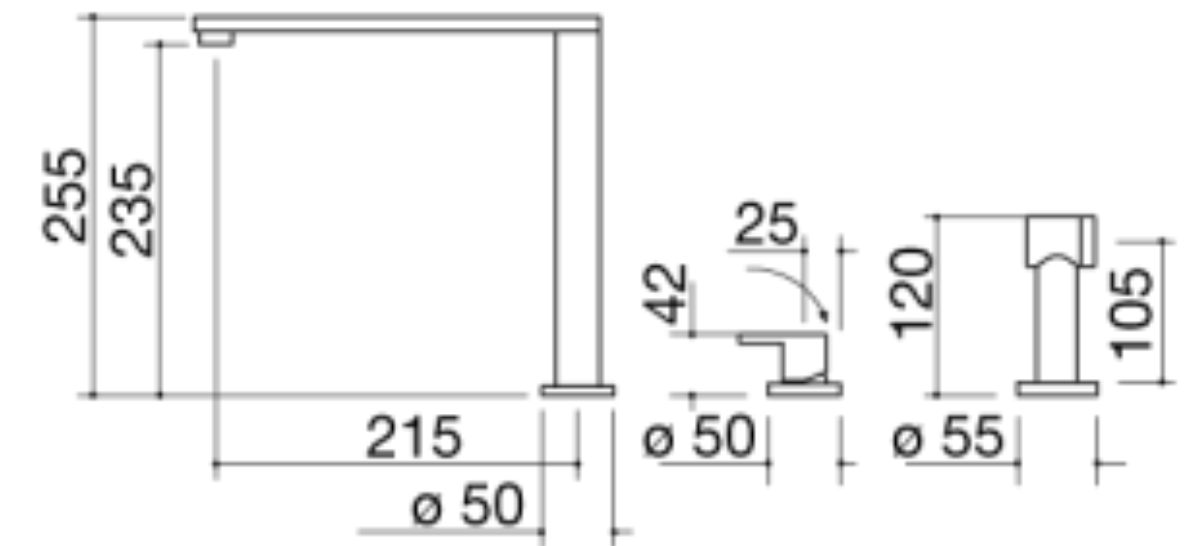
BARAZZA - WATER TAP WITH SHOWER + CONTROL

AISI 304 - 1RUBMBFRK

UPSCALE

Description

- Stainless Steel
- Cartridge: ceramic discs
- Tap rotation: 360°
- Tap base: \varnothing 50 mm
- Control base: \varnothing 50 mm
- Spray head base: \varnothing 50 mm
- Tap hole: \varnothing 35 mm
- Control hole: \varnothing 35 mm
- Spray hole: \varnothing 35 mm
- **5 Years Warranty**
- **Designed & Manufactured In Italy**



Price Excluding VAT: 37,500,000 VND

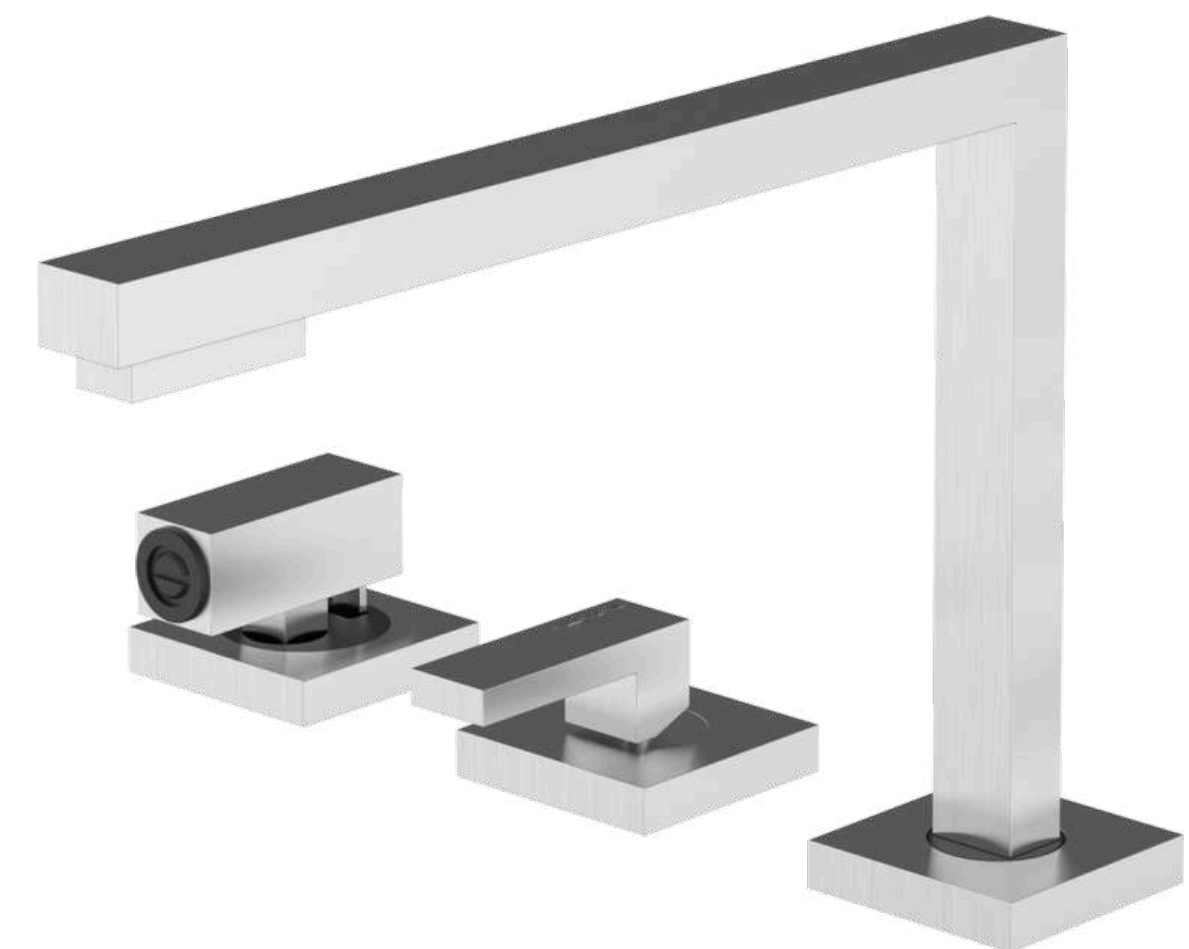
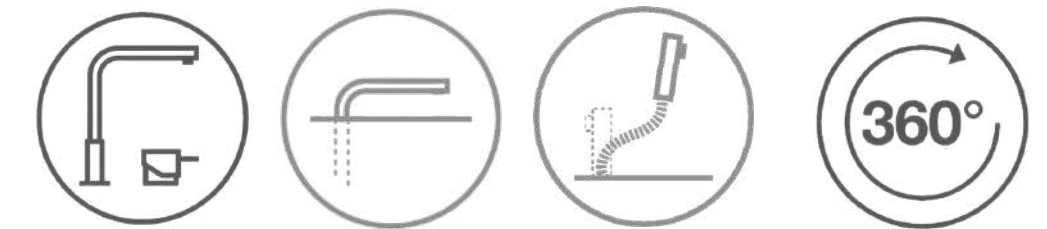
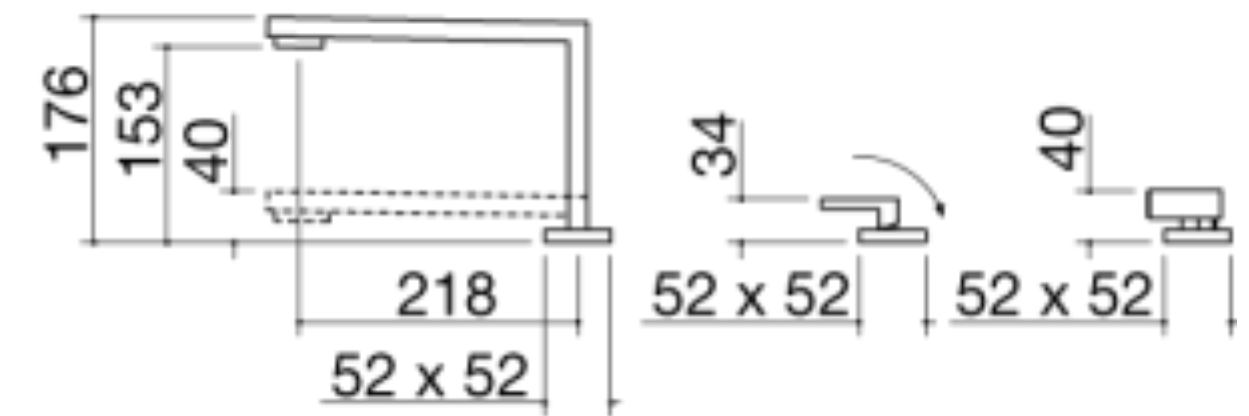
BARAZZA - WATER TAP WITH SHOWER + CONTROL - TELESCOPIC

AISI 304 -1RUBMZK

UPSCALE

Description

- AISI 304
- Extra thick Stainless Steel
- Extreme Durability
- Telescopic
- Cartridge: ceramic discs
- Tap rotation: 360°
- Tap base: \varnothing 50 mm
- Control base: \varnothing 50 mm
- Spray head base: \varnothing 55 mm
- Tap hole: \varnothing 35 mm
- Control hole: \varnothing 35 mm
- Spray hole: \varnothing 35 mm
- **5 Years Warranty**
- **Designed & Manufactured In Italy**



Price Excluding VAT: 55,500,000 VND

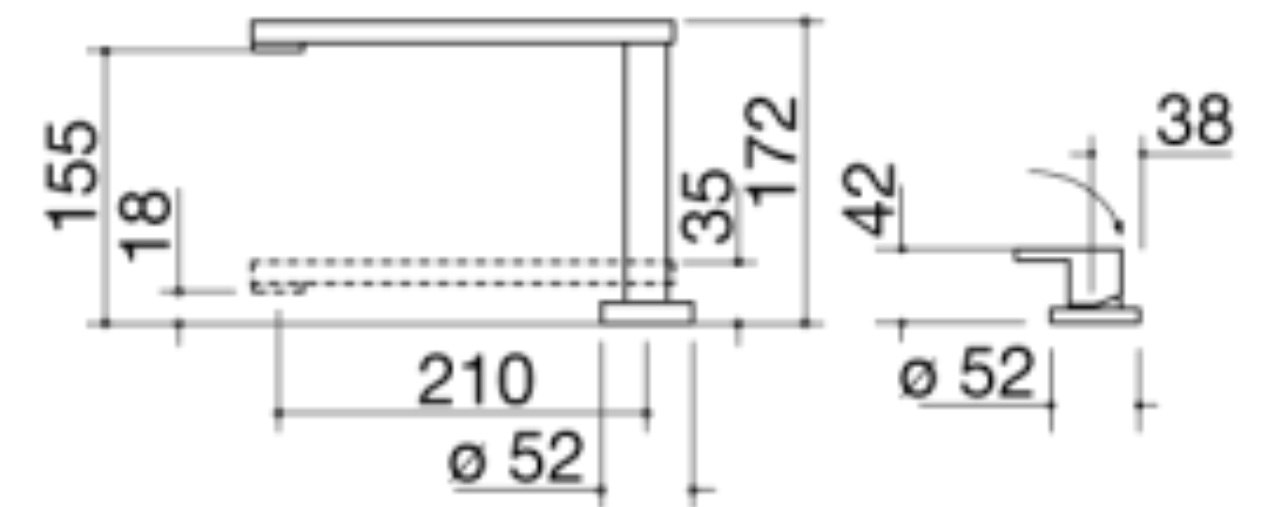
BARAZZA - TELESCOPIC WATER TAP

AISI 304 - 1RUBMBFA

UPSCALE

Description

- Telescopic Water Tap
- Extra thick stainless steel AISI 304
- Extreme Durability
- Cartridge: ceramic discs
- Tap rotation: 360°
- Minimum height: 42 mm
- Tap base: \varnothing 55 mm
- Control base: \varnothing 52 mm
- Tap hole: \varnothing 35 mm
- Control hole: \varnothing 35 mm
- **5 Years Warranty**
- **Designed & Manufactured In Italy**



Price Excluding VAT: 19,500,000 VND

BARAZZA - TELESCOPIC WATER TAP - PULL OUT SHOWER HEAD

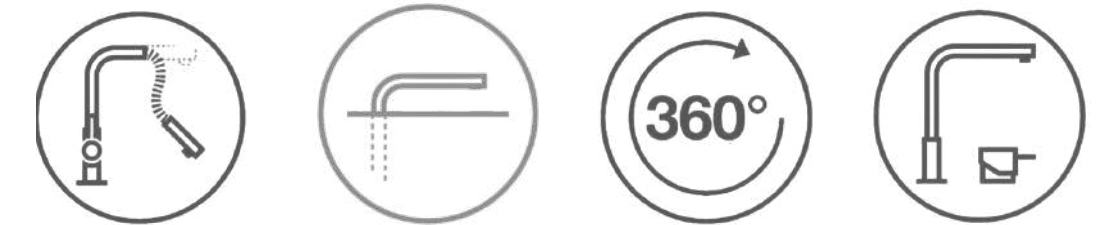
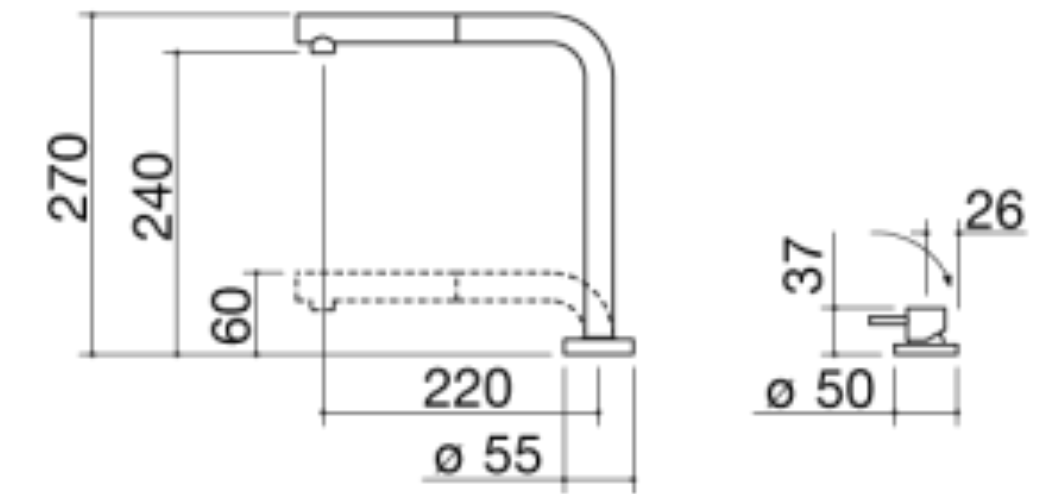
AISI 304 + TRUBMBOA

UPSCALE

Description

- Telescopic Water Tap
- Pull Out Spray Head
- Extra thick stainless steel AISI 304
- Extreme Durability
- Cartridge: ceramic discs
- Tap rotation: 360°
- Minimum height: 60 mm
- Tap base: \varnothing 55 mm
- Control base: \varnothing 50 mm
- Tap hole: \varnothing 35 mm
- Control hole: \varnothing 35 mm
- **5 Years Warranty**
- **Designed & Manufactured In Italy**

Price Excluding VAT: 24,500,000 VND



Available in
Black Stainless Steel

BARAZZA - TELESCOPIC WATER TAP

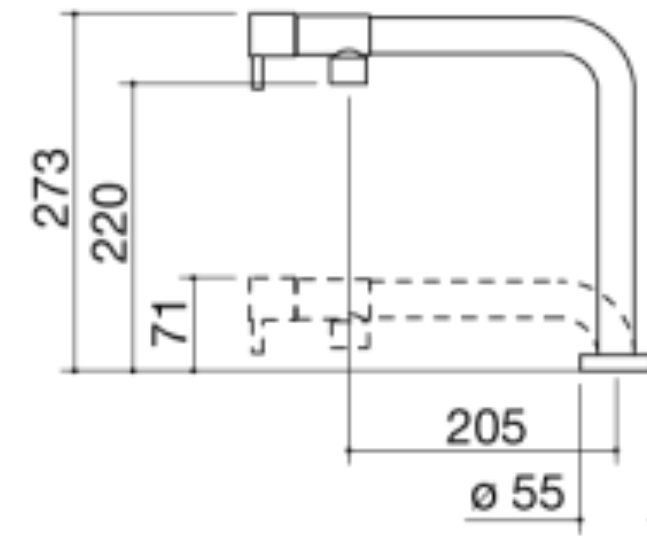
AISI 304 SMART CONTROL - 1RUBTH

Description

- Telescopic Water Tap
- Extra thick stainless steel AISI 304
- Extreme Durability
- Cartridge: ceramic discs
- Tap rotation: 360°
- Minimum height: 71 mm
- Tap base: \varnothing 55 mm
- Control base: N/A
- Tap hole: \varnothing 35 mm
- Control hole: N/A
- **5 Years Warranty**
- **Designed & Manufactured In Italy**

Price Excluding VAT: 28,500,000 VND

UPSCALE



UPSCALE

SEMI PROFESSIONAL
(CUSTOM)

Semi Professional Options

UPSCALE

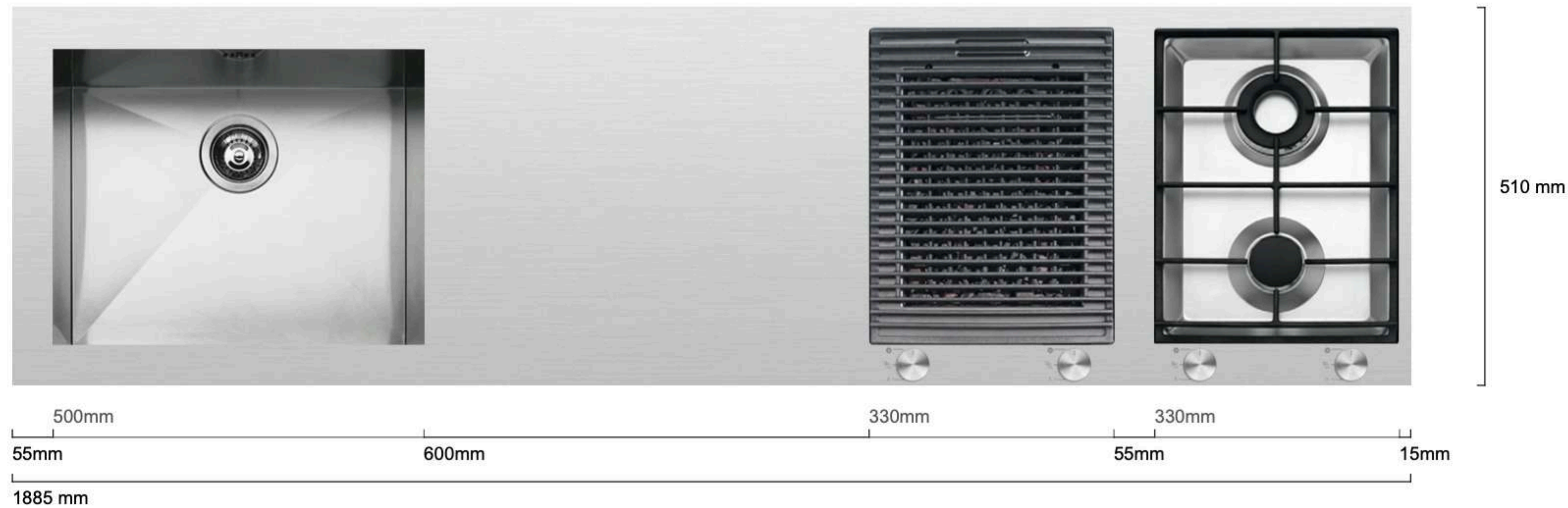


BARAZZA - Semi Professional

Custom size and elements

UPSCALE

PIANO ED ELEMENTI
2023/12/06



- High Quality Inox AISI304
- 188.5 cm x 51 cm
- Sink 50 x 40 cm
- Electric BBQ Hob with Lava Stone and cast iron grid
- Double Burner Gas Stove with cast iron grid
- 60 cm free space x1
- Excluding Water Tap
- 100% Made In Italy

Price Excluding VAT: ASK FOR PRICE

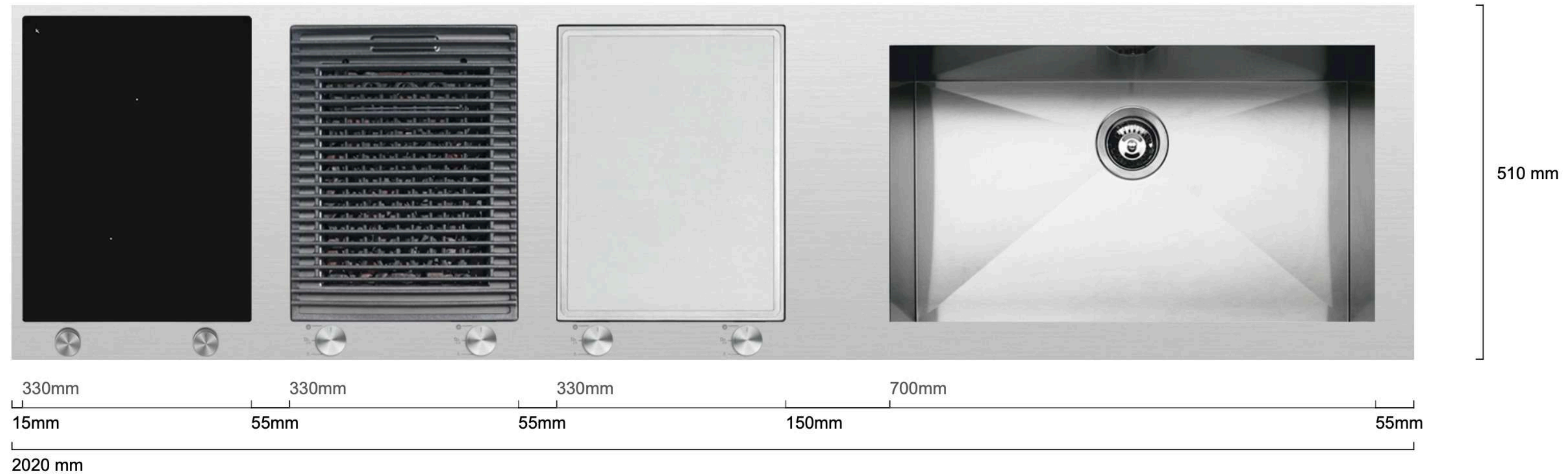
[CLICK HERE
TO CUSTOMIZE
YOUR OWN](#)

BARAZZA - Semi Professional

Custom size and elements

UPSCALE

PIANO ED ELEMENTI
2024/02/26



- High Quality Inox AISI304
- 188.5 cm x 510 cm
- Sink 70 x 40 cm
- Electric BBQ Hob with Lava Stone and cast iron grid
- Double Burner Induction
- Electric Teppanyaki with scratch free material
- Excluding Water Tap
- 100% Made In Italy

Price Excluding VAT: ASK FOR PRICE

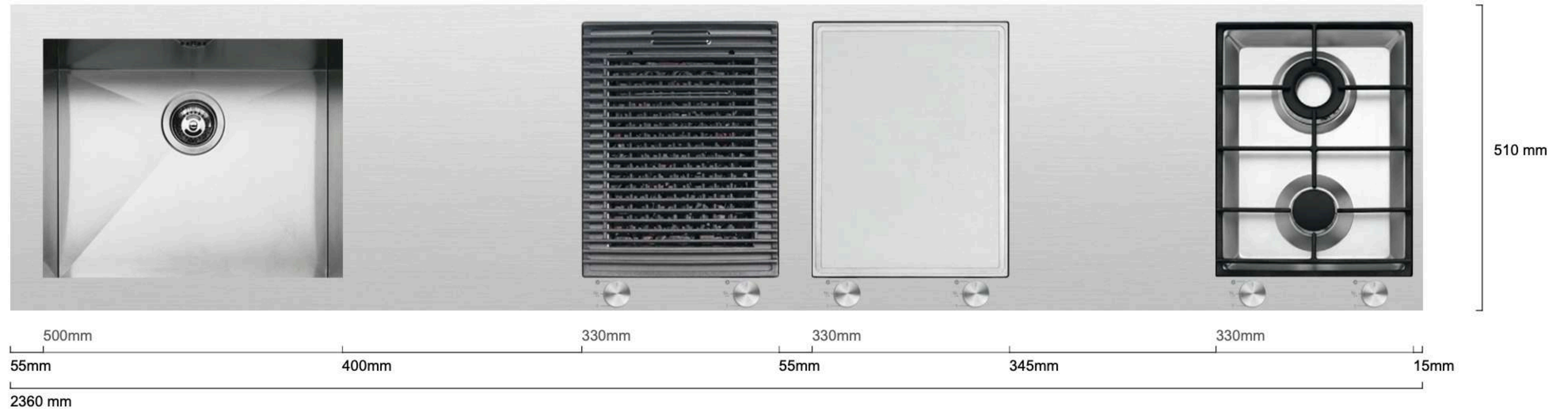
CLICK HERE
TO CUSTOMIZE
YOUR OWN

BARAZZA - Semi Professional

Custom size and elements

UPSCALE

PIANO ED ELEMENTI
2023/12/06



- High Quality Inox AISI304
- 2360 cm x 510 cm
- Sink 50 x 40 cm
- Electric BBQ Hob with Lava Stone and cast iron grid
- Electric Teppanyaki with scratch free material
- Double Burner Gas Stove with cast iron grid
- 55 cm free space x2
- Excluding Water Tap
- 100% Made In Italy

Price Excluding VAT: ASK FOR PRICE

[CLICK HERE
TO CUSTOMIZE
YOUR OWN](#)

Accessorized Channels



archiproducts[®]

DESIGN AWARDS

2022

WINNER

A place for everything you need, right at your fingertips. Satin stainless steel or black accessorised channels are made to complete the efficiency and practicality of the worktop, providing a place for everything and optimising the way you move around the washing and cooking area.

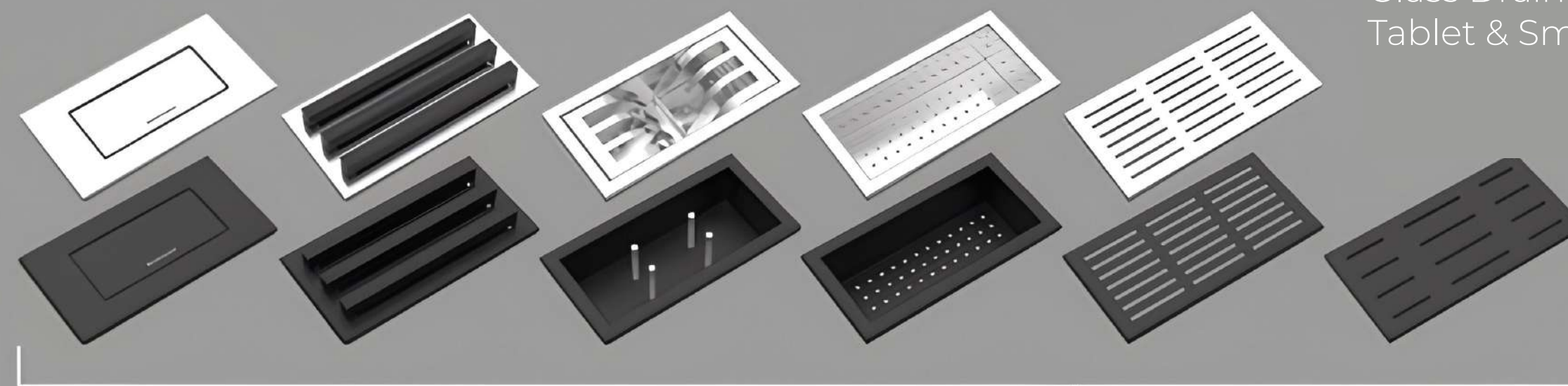


BARAZZA - Accessorized Channels

Custom size and elements

Available Modules:

- Rotating Socket Holder
- Stainless Steel Chopping Board Holder
- Stainless Steel Draining Rack
- Glass Drainers
- Tablet & Smart Phone Holder

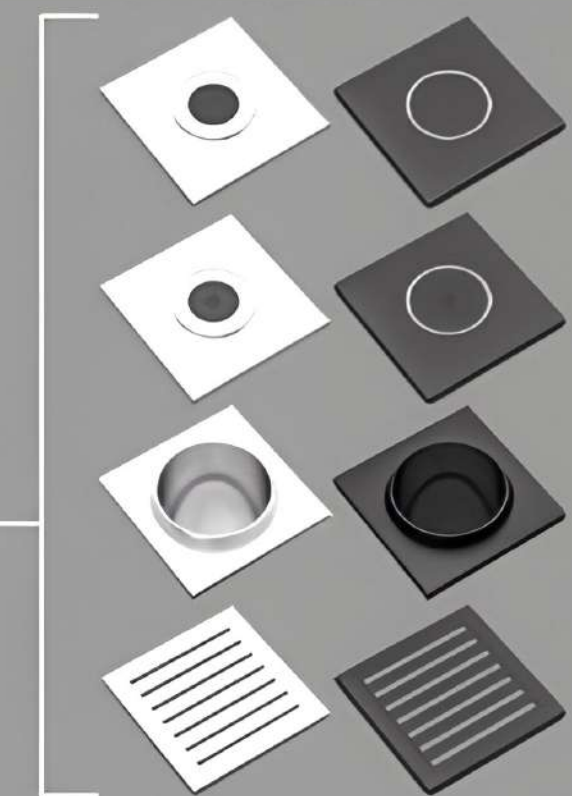
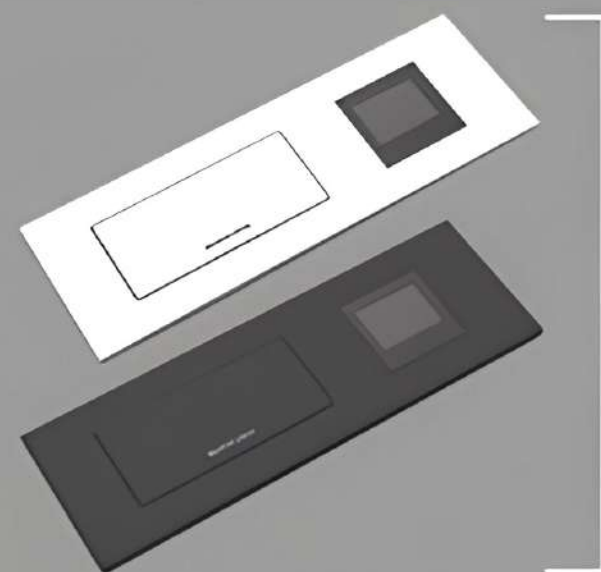


Available Modules: (1/4)

- Wireless Charger
- Bluetooth Speaker
- Bottle Holder
- Glass Drainer

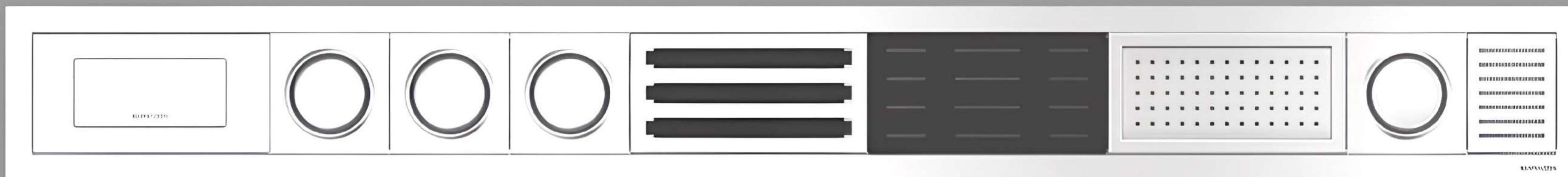
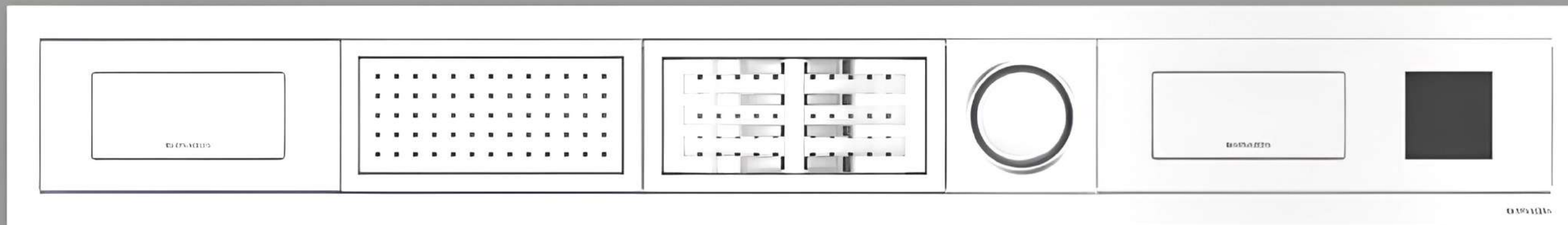
Available Modules: (1/2)

Digital Kitchen Scales



BARAZZA - Accessorized Channels

Examples of available combinations



BARAZZA - Accessorized Channels

Custom size and elements - 1CI120NK

UPSCALE



- Modular elements: Black stainless steel
- Bluetooth speaker
- Black stainless steel Induction charger,
- Knife holder with Black
- Stainless steel support for tablet and smartpone,
- Rotating socket holder,
- Black stainless steel shelf / Small glass drainer,
- High Quality Inox AISI304
- Extra thick stainless steel AISI 304
- Bowl with 2" drain
- 3 cable outlet holes
- 120 cm base unit
- 111.5x16 cm cut out



Price Excluding VAT: ASK FOR PRICE

UPSCALE

OUTDOOR COLLECTION

BARAZZA -
Outdoor Collection Options -
Free Standing



Outdoor



BARAZZA - Outdoor Collection

Weather Proof Cooking Elements



Outdoor



UPSCALE



Double Gas Burners



BBQ



Double Induction

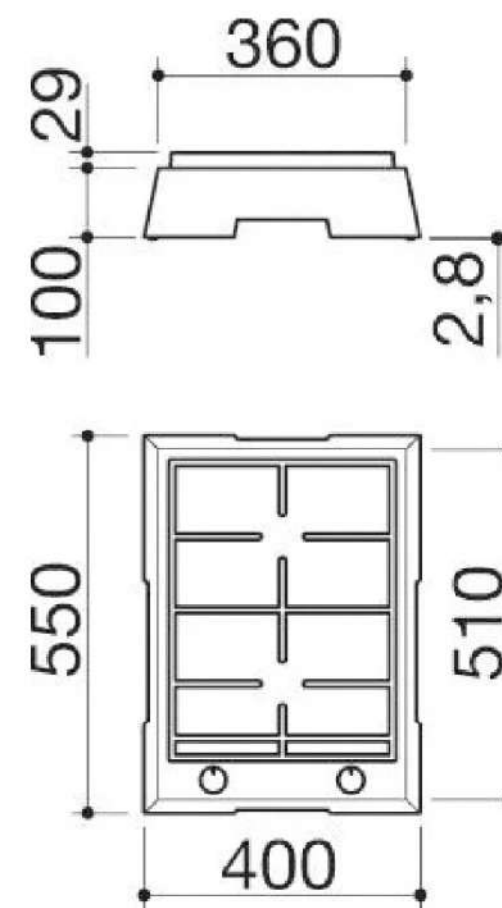


Teppanyaki

BARAZZA GAS ELEMENT 1PTF2 WEATHER PROOF

Description

- High Quality - Extra Thick AISI316
- Marine Grade - Weather Resistant
- Double Gas Burners
- Soft Touch Coating
- Professional Knobs
- Weather Proof Cover
- Safety valve
- Eco-flame
- 0-9 Control Levels
- Cast Iron Grid
- **5 Years Warranty**
- **Designed & Manufactured In Italy**



Price Excluding VAT: 28,500,000 VND

UPSCALE



Outdoor

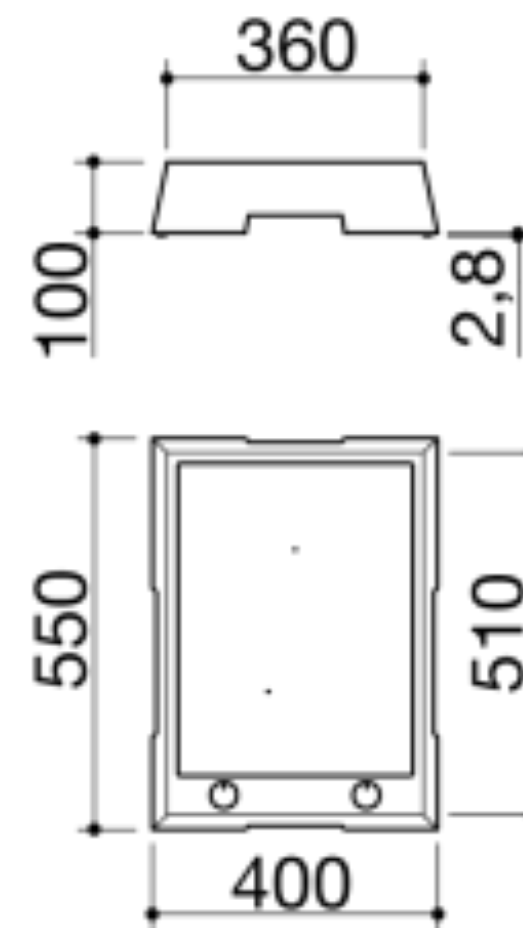


BARAZZA OUTDOOR INDUCTION ELEMENT 1PTFID WEATHER PROOF

Description

- High Quality - Extra Thick AISI316
- Marine Grade - Weather Resistant
- Induction with 2 Zones
- Soft Touch Coating
- Professional Knob
- Weather Proof Cover
Booster - Safety Lock
- 0-9 Control Levels
- Adjustable Power Consumption
- Max Power 3.7KW
- 100% Made In Italy
- **5 Years Warranty**
- **Designed & Manufactured In Italy**

Price Excluding VAT: 45,500,000 VND



UPSCALE



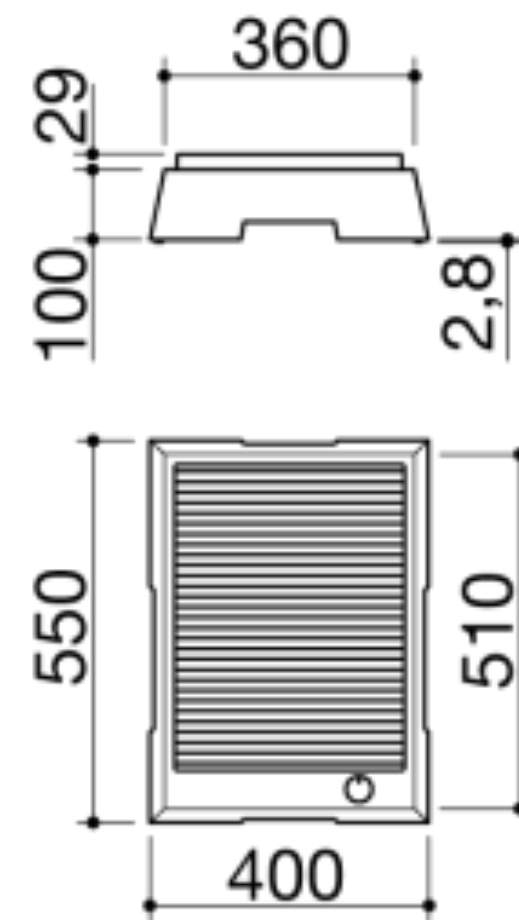
Outdoor



BARAZZA BBQ ELEMENT WITH LAVA STONE 1PTFBQ WEATHER PROOF

Description

- High Quality - Extra Thick AISI316
- Marine Grade - Weather Resistant
- Electric BBQ
- Lava Stone To Absorb Cooking Liquid
- Soft Touch Coating
- Professional Knobs
- Weather Proof Cover
- 0-9 Control Levels
- Cast Iron Grid
- **5 Years Warranty**
- **Designed & Manufactured In Italy**



Price Excluding VAT: 42,500,000 VND

UPSCALE



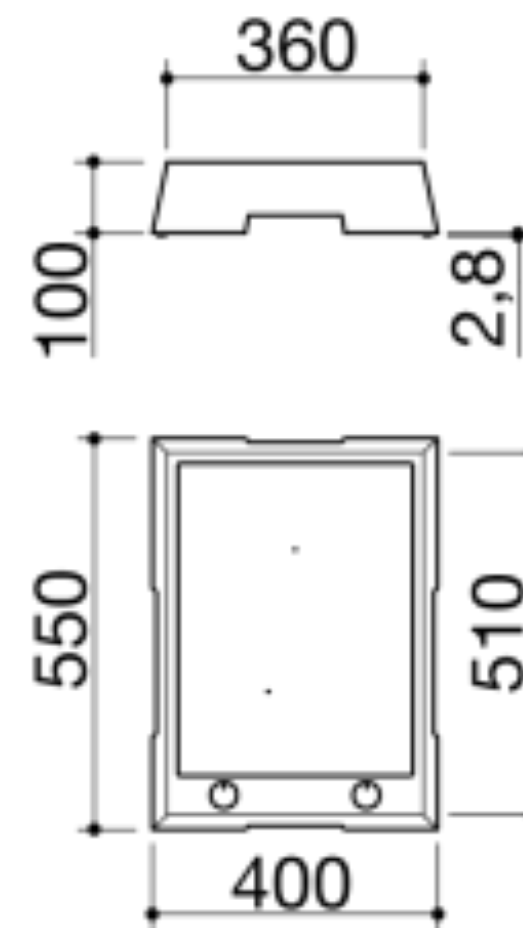
Outdoor



BARAZZA TEPPANYAKI ELEMENT 1PTFTK WEATHER PROOF

Description

- High Quality - Extra Thick AISI316
- Marine Grade - Weather Resistant
- Electronic Temperature Control
- 0 °C to 250 °C
- Hotplate activation indicator
- 2 Cooking Zones
- Maximum 3 kW
- Soft Touch Coating
- Professional Knobs
- Weather Proof Cover
- Chopping Board (Optional)
- **5 Years Warranty**
- **Designed & Manufactured In Italy**



Price Excluding VAT: 58,800,000 VND

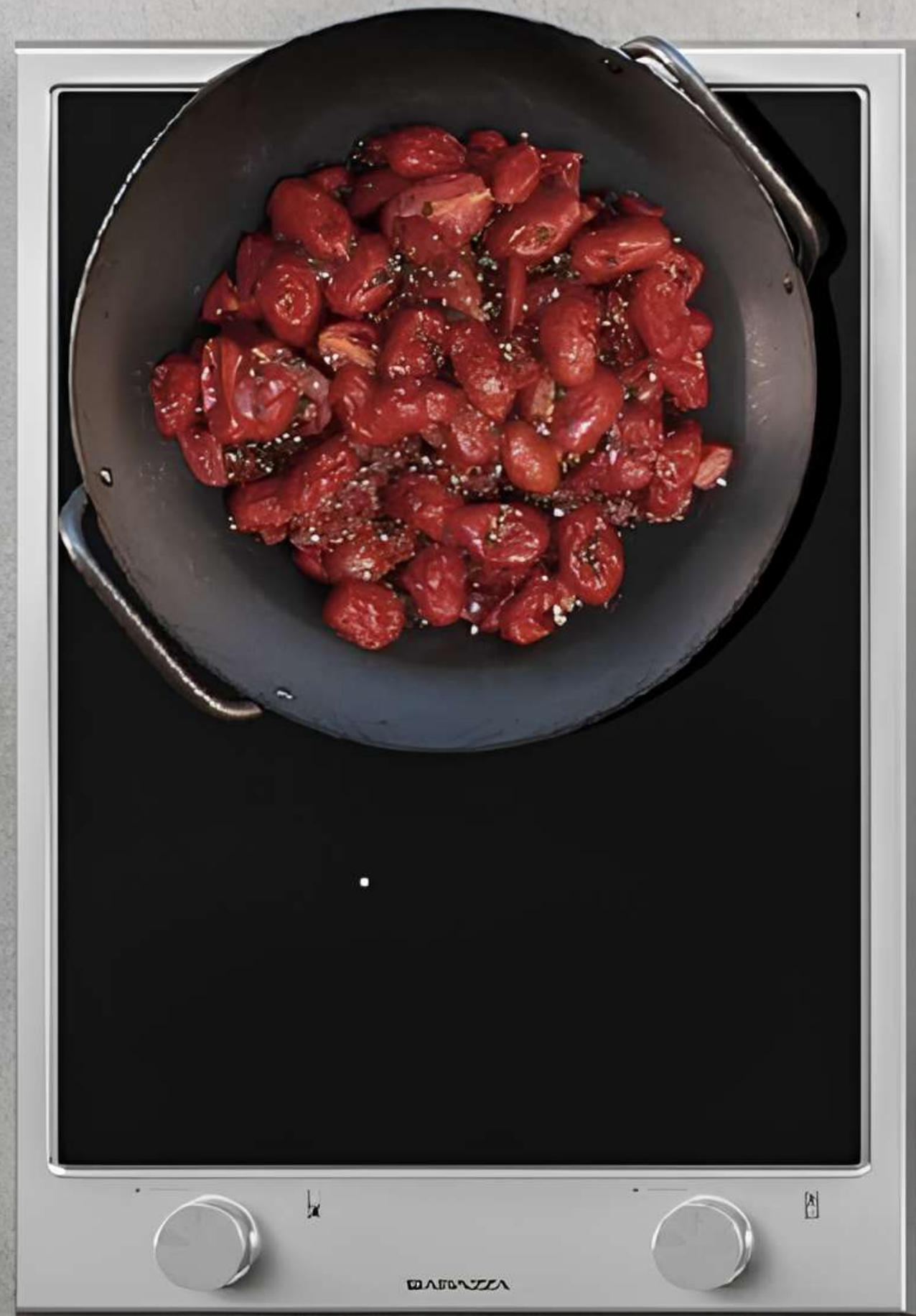
UPSCALE



Outdoor



BARAZZA -
Outdoor Collection Options -
Built In



Outdoor



UPSCALE

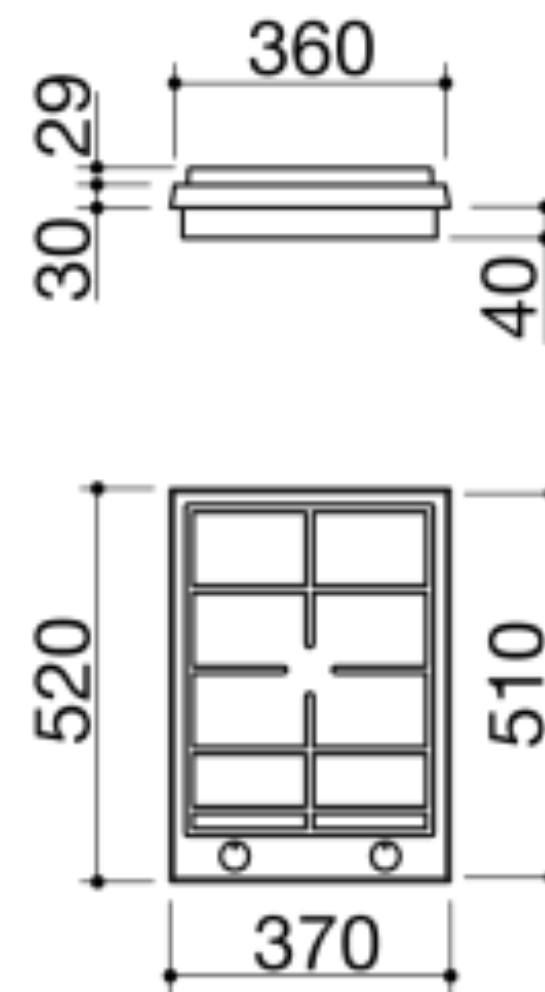


BARAZZA OUTDOOR GAS ELEMENT 1PT11 WEATHER PROOF - BUILT IN

Description

- High Quality - Extra Thick AISI316
- Cast iron pan support and burner caps
- Double control burner
- Equipment: electronic activation with battery, safety valve, eco-flame, fixing clips, seal
- Predisposition for LPG supply
- 34x49 cm cut out
- 1 double ring: 4.7 kW (central 0.8 kW and ring 3.9 kW)
- 100% Made In Italy
- **5 Years Warranty**
- **Designed & Manufactured In Italy**

Price Excluding VAT: 27,500,000 VND



UPSCALE



Outdoor

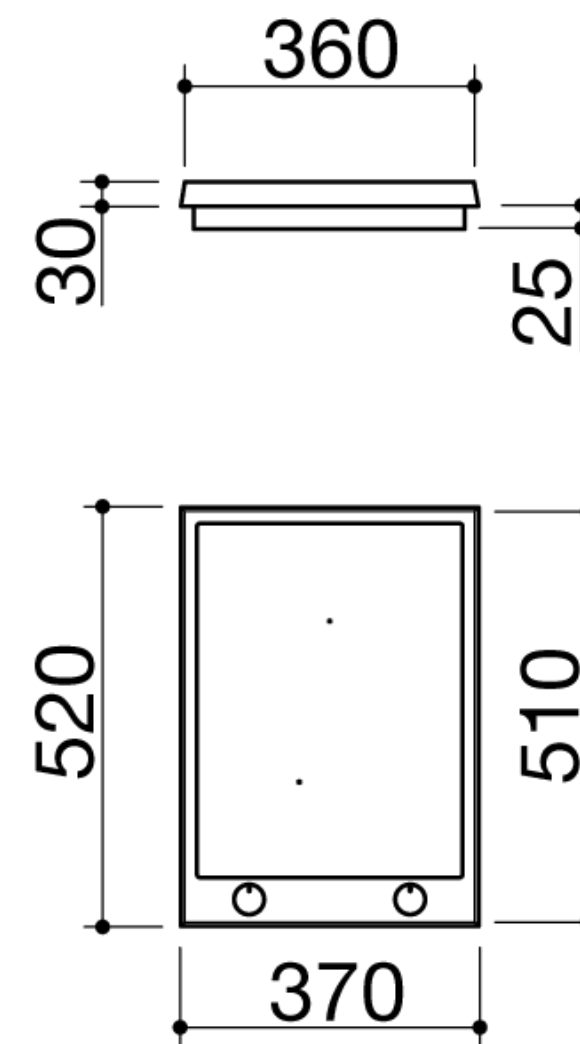


BARAZZA OUTDOOR INDUCTION ELEMENT 1PTFIID WEATHER PROOF - BUILT IN

Description

- High Quality - Extra Thick AISI316
- Functions: power management, Booster, selective pan detection, keep warm, automatic preheating, electronic child- safety lock, residual heat indicator, safety switch-off
- Adjustable power levels: 1.6 – 2.0 – 2.4 – 2.8 – 3.2 – 3.7 kW
- Maximum absorbed power: 3.7 kW
- Equipment: Schuko mains plug, fixing clips, seal
- Degree of protection IPX4
- Waterproof cover
- Thalas ITTH chopping board
- 34x49 cm cut out
- 100% Made In Italy
- **5 Years Warranty**
- **Designed & Manufactured In Italy**

Price Excluding VAT: 43,500,000 VND



UPSCALE



Outdoor

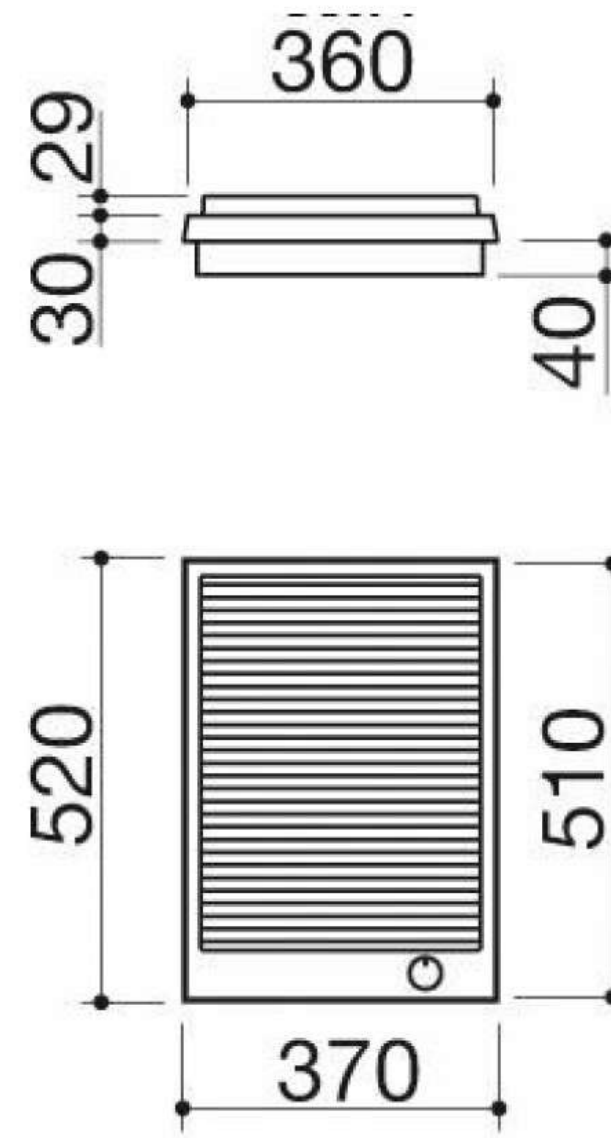


BARAZZA OUTDOOR BBQ ELEMENT WITH LAVA STONE 1PTIBQ WEATHER PROOF - BUILT IN

UPSCALE

Description

- High Quality - Extra Thick AISI316
- Barbecue with electric element
- Cast iron grid
- Lava stone to absorb cooking liquids
- AISI 304 stainless steel removable tray
- Settings 0 to 9
- Heating element activation indicator
- Maximum absorbed power: 2.4 kW
- Equipment: Schuko mains plug, fixing clips, seal
- Waterproof cover
- 34×49 cm cut out
- 100% Made In Italy
- **5 Years Warranty**
- **Designed & Manufactured In Italy**



Outdoor



Price Excluding VAT: 40,000,000 VND

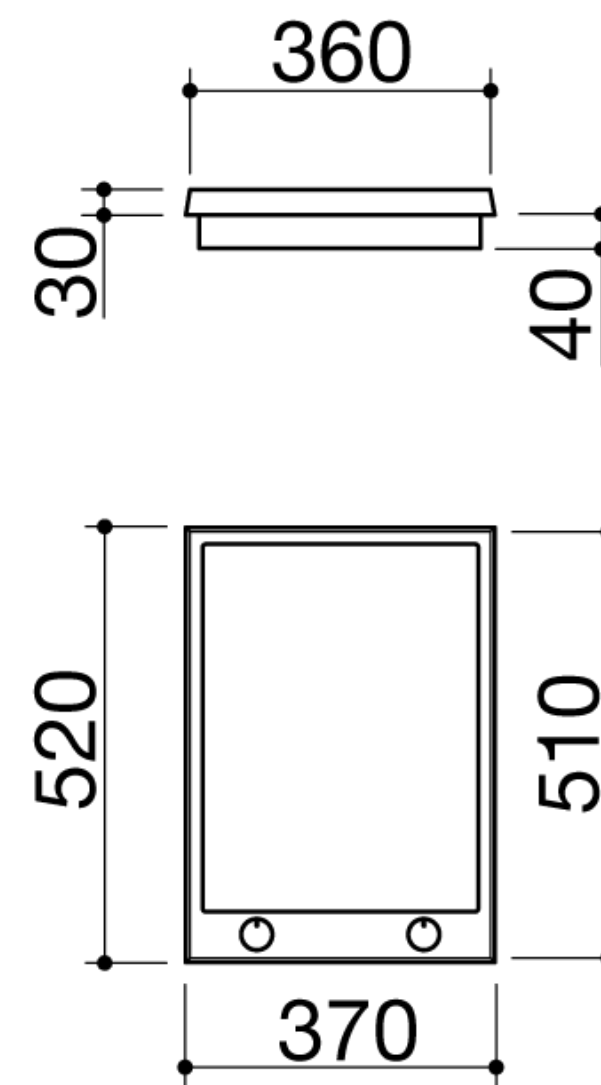
BARAZZA OUTDOOR TEPPANYAKI ELEMENT

1PTITK WEATHER PROOF - BUILT IN

Description

- High Quality - Extra Thick AISI316
- AISI 304 stainless steel single hotplate, 6mm thick
- Thermostat
- 2 cooking zones
- Electronic temperature control 0 °C to 250 °C
- Hotplate activation indicator and thermostat
- Maximum absorbed power: 3 kW
- Equipment: Schuko mains plug, fixing clips, seal
- Waterproof cover
- Thalys ITTH chopping board
- 34x49 cm cut out
- **5 Years Warranty**
- **Designed & Manufactured In Italy**

Price Excluding VAT: 56,500,000 VND



UPSCALE



Outdoor

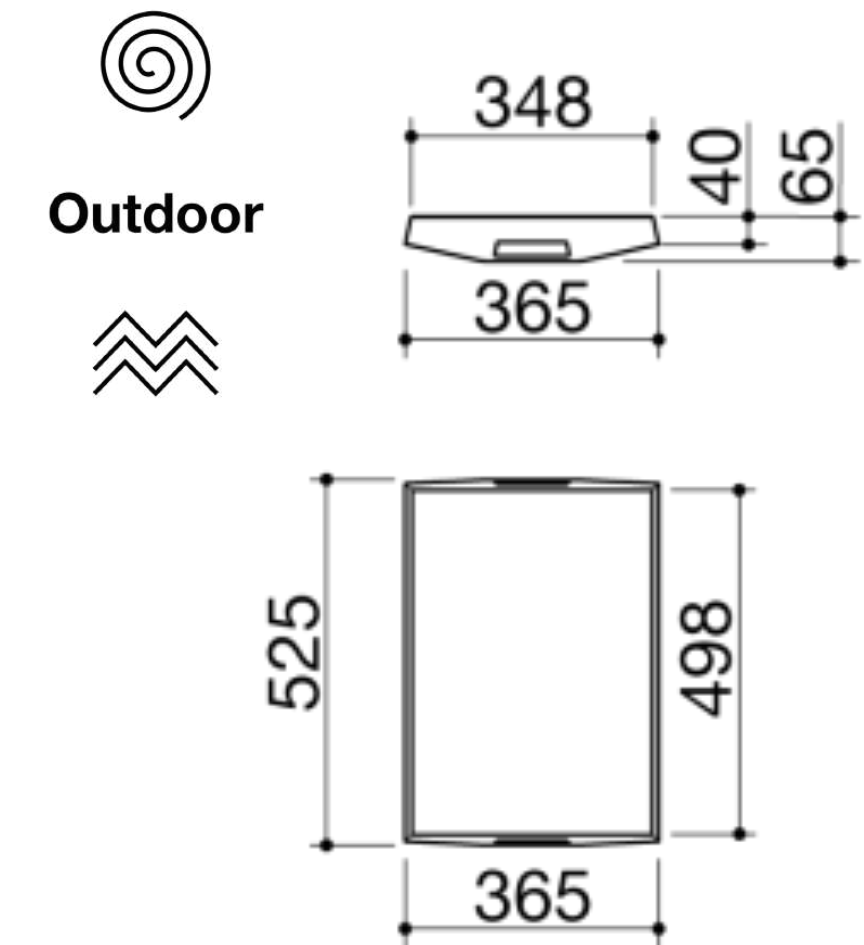


BARAZZA COVER & SERVING TRAY (DUAL FUNCTION) 1C306 WEATHER PROOF

UPSCALE

Description

- High Quality - Extra Thick AISI316
- Marine Grade - Weather Resistant
- Dual function: Cover and Serving tray
- Compatible with all freestanding and built-in Thalas hobs
- Compatible with waterproof cover
- **5 Years Warranty**
- **Designed & Manufactured In Italy**



Price Excluding VAT: 7,500,000 VND

BARAZZA - STAINLESS SINK FOR OUTDOORS - 1 Bowl - 50 x 40 cm - 1QR506

Description

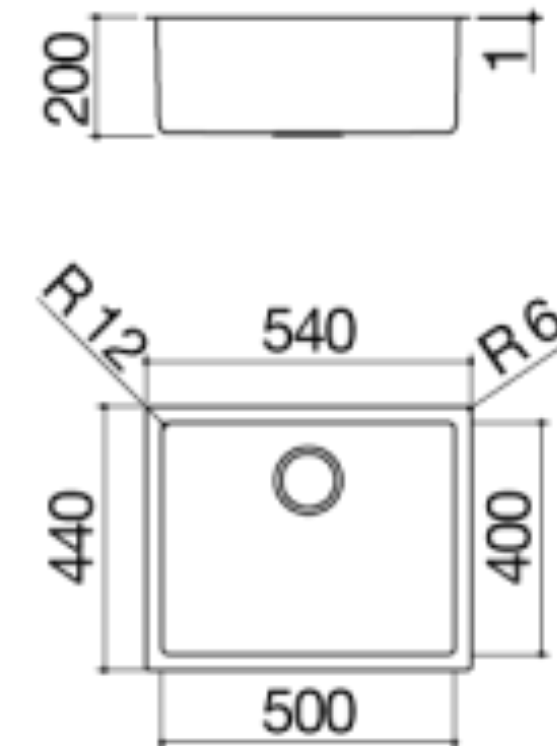
- Extra thick stainless steel AISI 316
- Marine Grade
- Extreme Durability
- Bowl with radius "12"
- 50x40x20 H cm bowl
- Equipment: 3" ½, basket strainer waste,
- Perimeter overflow
- 80 cm base unit (undermounted)
- 60 cm base unit (Flush)
- 52x42 cut out
- **5 Years Warranty**
- **Designed & Manufactured In Italy**
- Available in 50 x 40 cm

Price Excluding VAT: 25,500,000 VND

UPSCALE



Outdoor



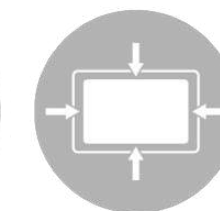
FEB



FT



UM



BARAZZA - STAINLESS SINK FOR OUTDOOR

WEATHER PROOF - AISI 316 - 1 Bowl - 57 x 51 cm - 1LLB616

UPSCALE

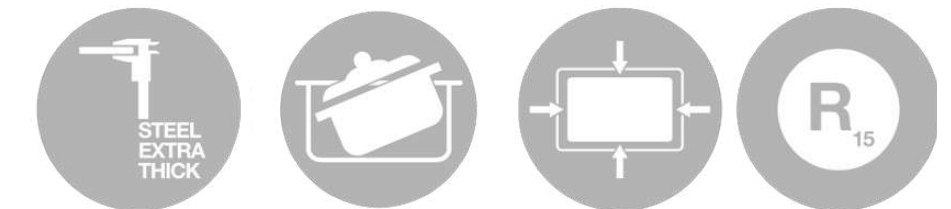
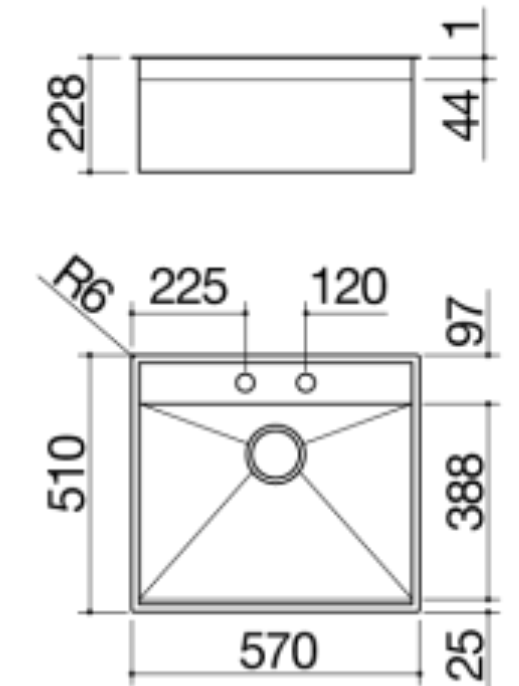
Description

- LAB SINK AISI 316 ST.STEEL
- LOWERING FLUSH/BUILT-IN/UNDERMOUNTED
- 57X51 1 BOWL
- Extra thick AISI 316 stainless steel
- Bowl with radius "0"
- 54x38.8x18.3 h cm bowl
- Bowl with lowering for sliding of accessories
- Equipment: 3" 1/2, basket strainer waste, pop-up plug, B overflow
- Tap hole: 2 standard holes
- Base unit for bowls:
 - Built-in and flush: 60
 - Undermounted: 80
 - 56x49 cm cut out flush and undermounted: see technical sheet
- **5 Years Warranty**
- **Designed & Manufactured In Italy**
- Available in 86 X 51 CM

Price Excluding VAT: 33,500,000 VND



Outdoor



BARAZZA - STAINLESS SINK

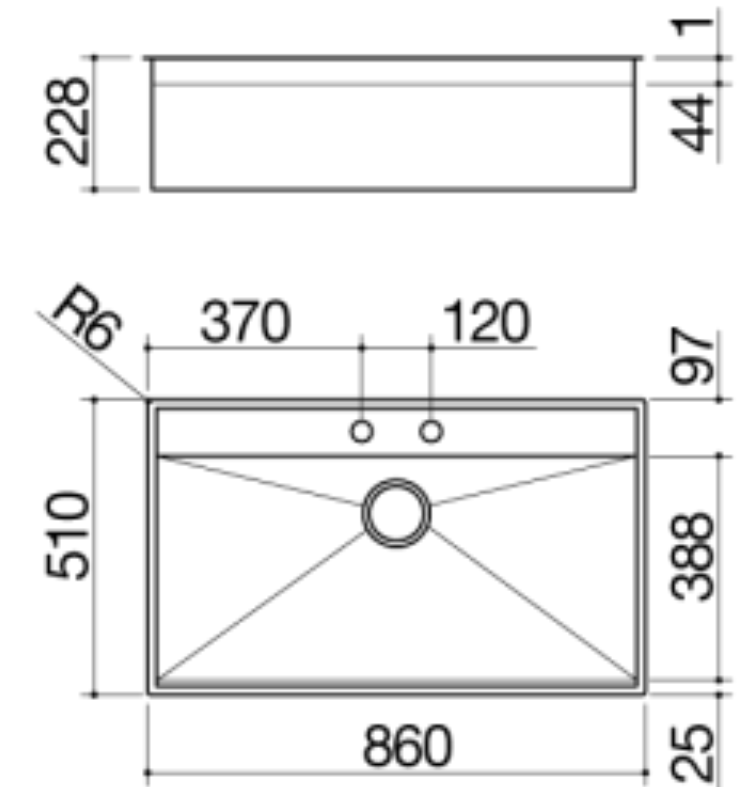
FOR OUTDOORS - 1 Bowl - 86 x 51 cm - 1LLB916

Description

- Extra thick stainless steel AISI 316
- Marine Grade
- Extreme Durability
- Bowl with radius "0"
- 83x38.8x18.3 H cm bowl
- Equipment: 3" ½, basket strainer waste,
- Perimeter overflow
- 80 cm base unit (undermounted)
- 60 cm base unit (Flush)
- **5 Years Warranty**
- **Designed & Manufactured In Italy**

Price Excluding VAT: 37,500,000 VND

UPSCALE



BARAZZA - STAINLESS SINK + COVER + TELESCOPIC MIXER FOR OUTDOORS - 1 Bowl - 57 x 51 cm - 1LLB606

UPSCALE

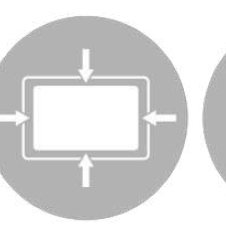
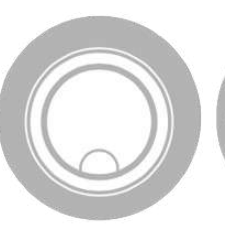
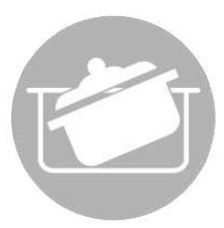
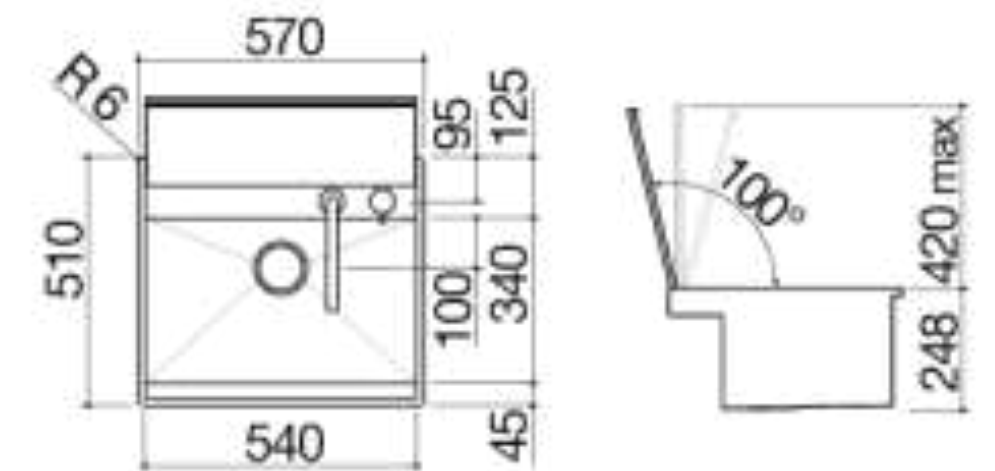
Description

- High Quality - Extra Thick AISI316
- Marine Grade - Weather Resistant
- Resistant to corrosion
- 54 cm x 34 x 18.3 cm Bowl
- Weather Proof Cover
- Removable Stainless Steel Lid
- Heavy Duty Tap (Telescopic)
- Soap Dispenser
- Overflow + Perimeter Drainage
- 56 x 49 cut out
- **5 Years Warranty**
- **Designed & Manufactured In Italy**

Price Excluding VAT: 75,500,000 VND



Outdoor



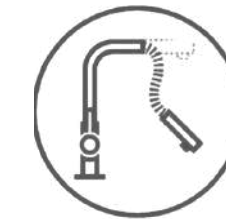
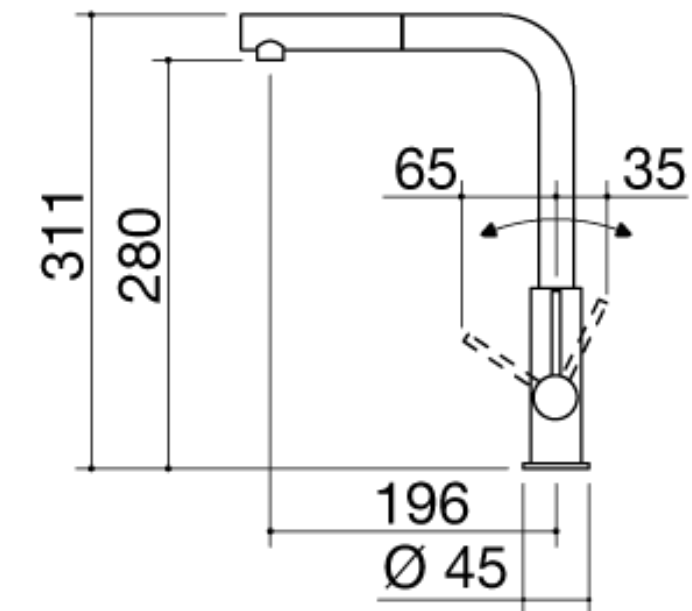
BARAZZA - WATER TAP WITH PULLOUT SHOWER FOR OUTDOORS AISI 316 - 1RUBOF316

Description

- Telescopic Water Tap
- AISI 316 stainless steel
- Pull-out spray head
- Ceramic disc cartridge
- Tap rotation: 360°
- Tap base: \varnothing 45 mm
- Tap hole: \varnothing 35 mm
- **5 Years Warranty**
- **Designed & Manufactured In Italy**

Price Excluding VAT: 28,500,000 VND

UPSCALE



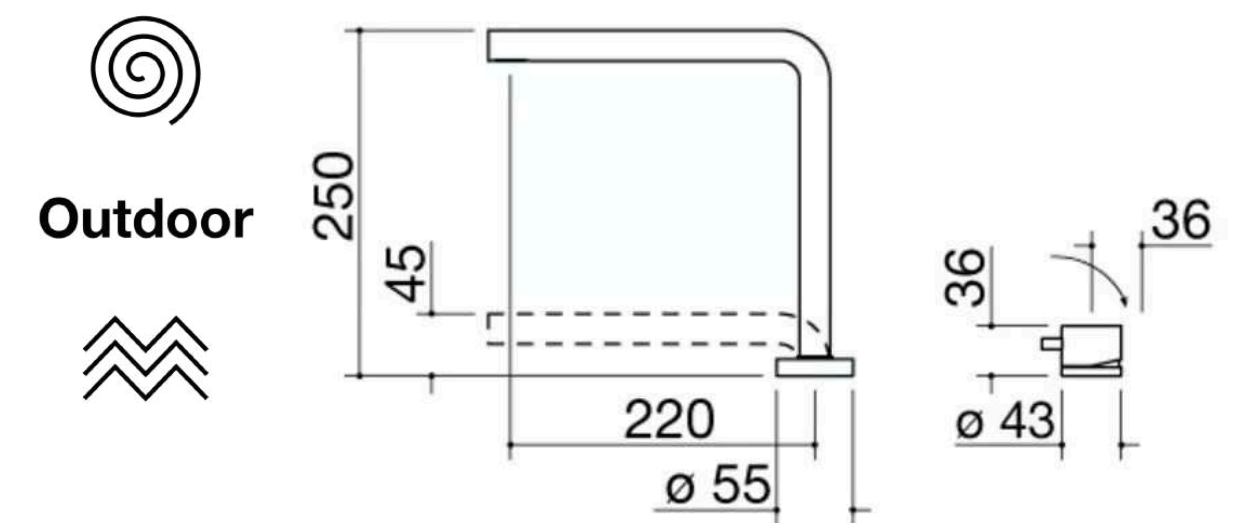
BARAZZA - TELESCOPIC WATER TAP FOR OUTDOORS AISI 316 - 1RUBTH

Description

- Telescopic Water Tap
- Extra thick stainless steel AISI 316
- Extreme Durability
- Cartridge: ceramic discs
- Tap rotation: 360°
- Minimum height: 45 mm
- Tap base: \varnothing 55 mm
- Control base: \varnothing 43 mm
- Tap hole: \varnothing 35 mm
- Control hole: \varnothing 35 mm
- **5 Years Warranty**
- **Designed & Manufactured In Italy**

Price Excluding VAT: 31,000,000 VND

UPSCALE

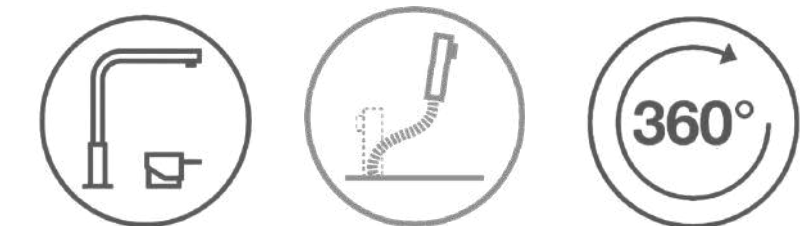
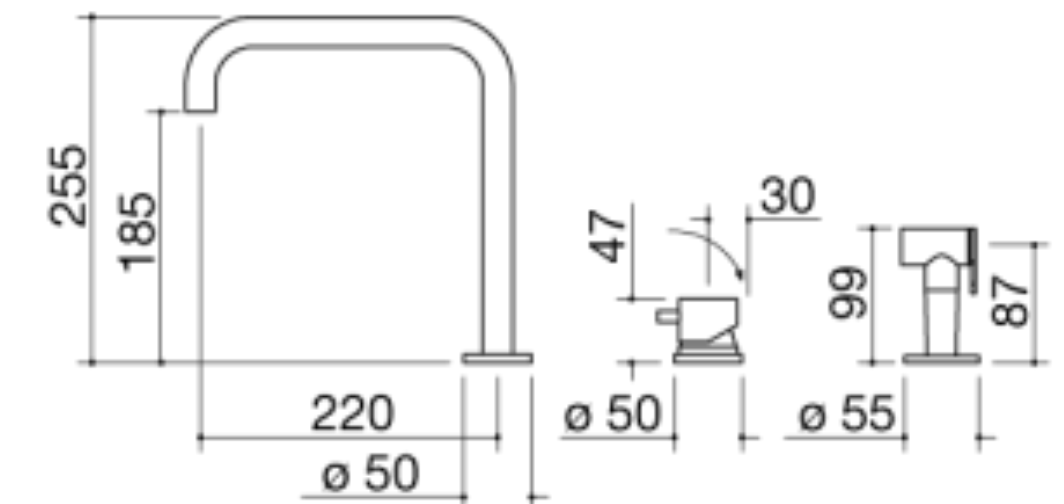


BARAZZA - WATER TAP WITH SHOWER + CONTROL FOR OUTDOORS- AISI 316 -1RUBMRKT

UPSCALE

Description

- AISI 316 - Marine Grade Stainless
- Extra Thick Stainless Steel
- Durable - For Extreme Weathers
- Cartridge: ceramic discs
- Tap rotation: 360°
- Tap base: \varnothing 50 mm
- Control base: \varnothing 50 mm
- Spray head base: \varnothing 55 mm
- Tap hole: \varnothing 35 mm
- Control hole: \varnothing 35 mm
- Spray hole: \varnothing 35 mm
- **5 Years Warranty**
- **Designed & Manufactured In Italy**



Price Excluding VAT: 37,500,000 VND

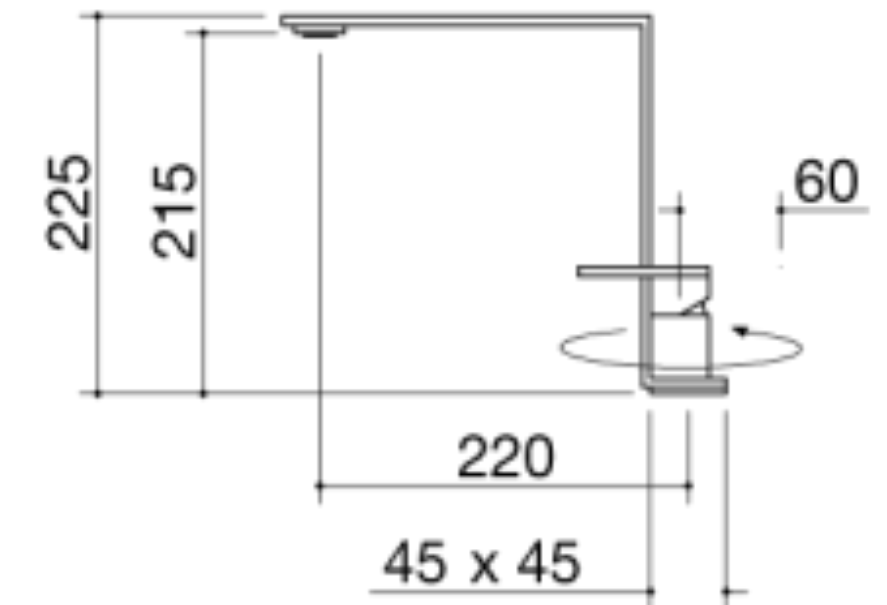
BARAZZA - WATER TAP FOR OUTDOORS AISI 316 - 1RUBMD1

Description

- Telescopic Water Tap
- Extra thick stainless steel AISI 316
- Extreme Durability
- AISI 316 stainless steel
- Ceramic disc cartridge
- Tap rotation: 360°
- Tap base: 45x45 mm
- Tap hole: \varnothing 35 mm
- **5 Years Warranty**
- **Designed & Manufactured In Italy**

Price Excluding VAT: 48,500,000 VND

UPSCALE



UPSCALE

ACCESSORIES

INVISIBLE PLUG SOCKET SB-PS-CHAM

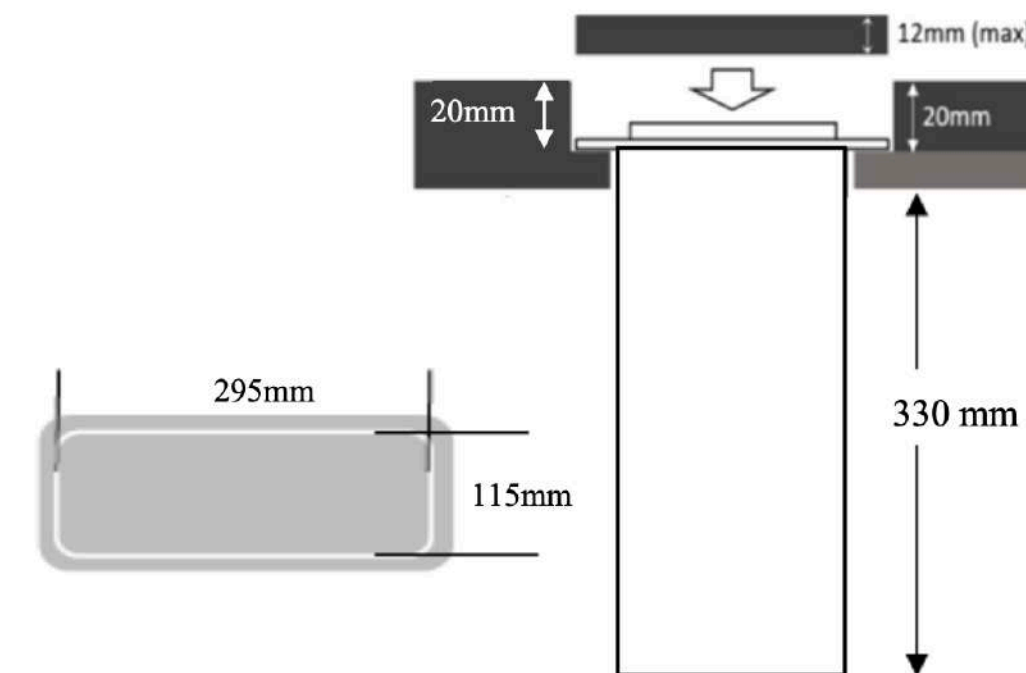
Description

- Pop Up Socket
- Invisible Finishing
- Customizable Plug Outlets
- USB C Type 72 W - Suitable for Laptop Charging
- Solid Steel Base
- Water-spill safe
- Tamper Resistant 20 amp outlet
- Suitable for all types of appliances
- Available in 2 Plugs or 3 Plugs
- **5 Year Warranty**
- **Made in the UK**

Price Excluding VAT (2 PORTS): 26,500,000 VND
Price Excluding VAT (3 PORTS): 29,750,000 VND

UPSCALE

3-PORT



Invisible Finishing -
Matching to countertop



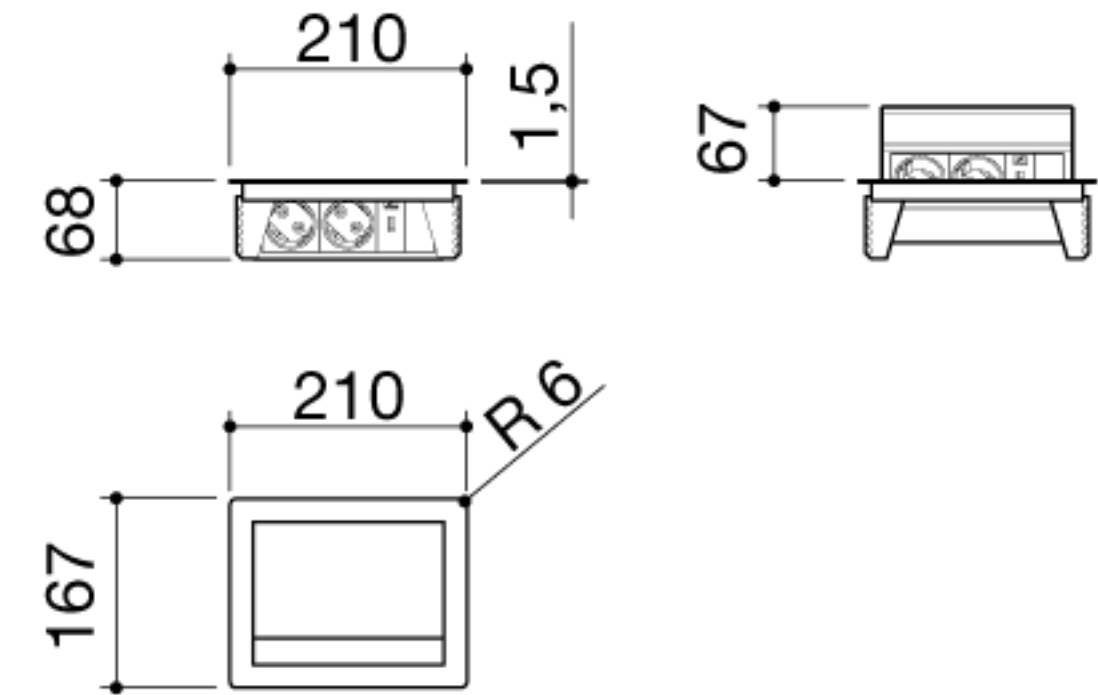
ROTATING PLUG SOCKET 1PPTU

Description

- 2 Schuko sockets + 1 USB port
- dimensions: 210×167 mm
- 195×157 cm cut out
- flush-top: see technical sheet
- **5 Year Warranty**
- **Made in the UK**

Price Excluding VAT: 16,500,000 VND

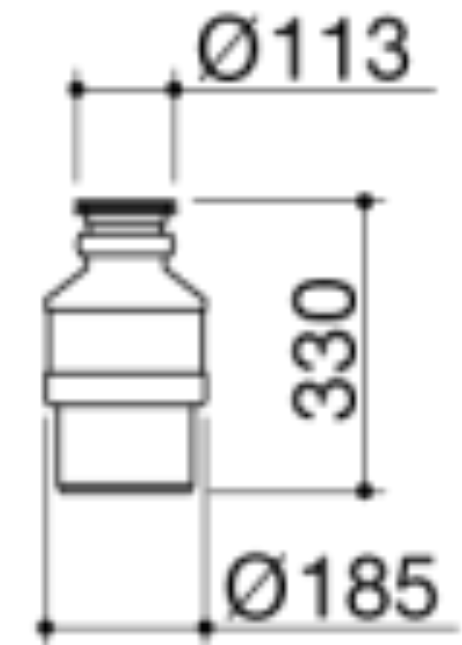
UPSCALE



BARAZZA - FOOD WASTE DISPOSAL 1DSEC2

Description

- Stainless steel basket
- Single shredding system, enhanced motor
- Continuously powered
- Motor 200-240V 50/60Hz
- Sound insulation
- Energy rating 1
- Motor with permanent lubricant
- Manual reset/protection against overload
- Plastic pneumatic starter provided
- Power: 1/2 HP, 370 W
- Control hole: \varnothing 35 mm
- **5 Years Warranty**
- **Designed & Manufactured In Italy**



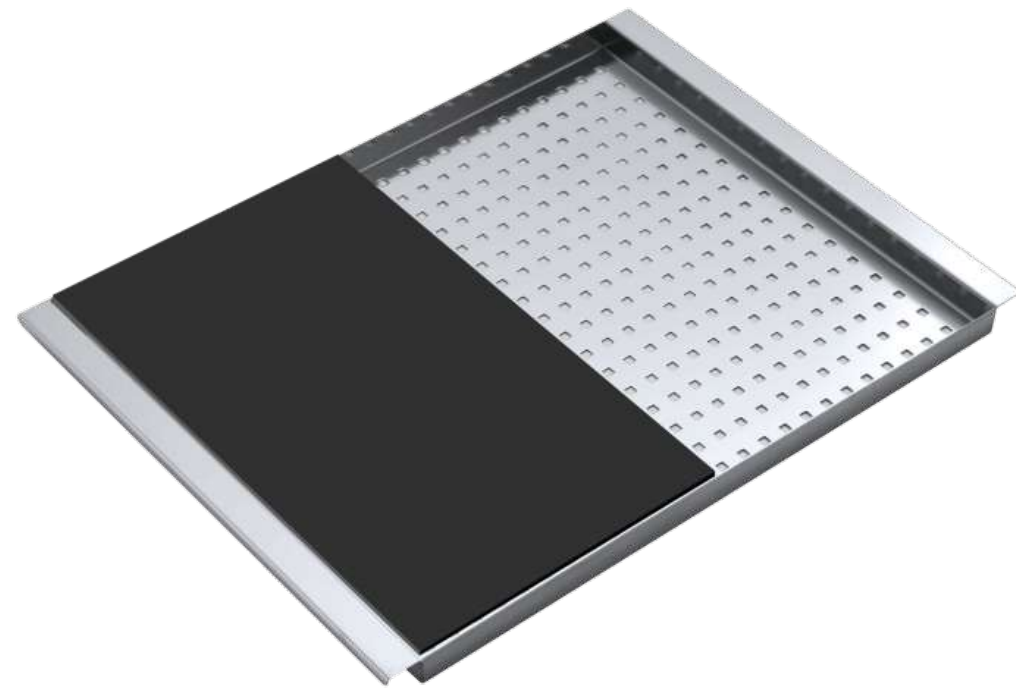
Price Excluding VAT: 17,500,000 VND



BARAZZA - DRAINING RACK - CHOPPING BOARDS

UPSCALE

1CITN : 6,750,000 VND



1GSPA: 2,750,000 VND



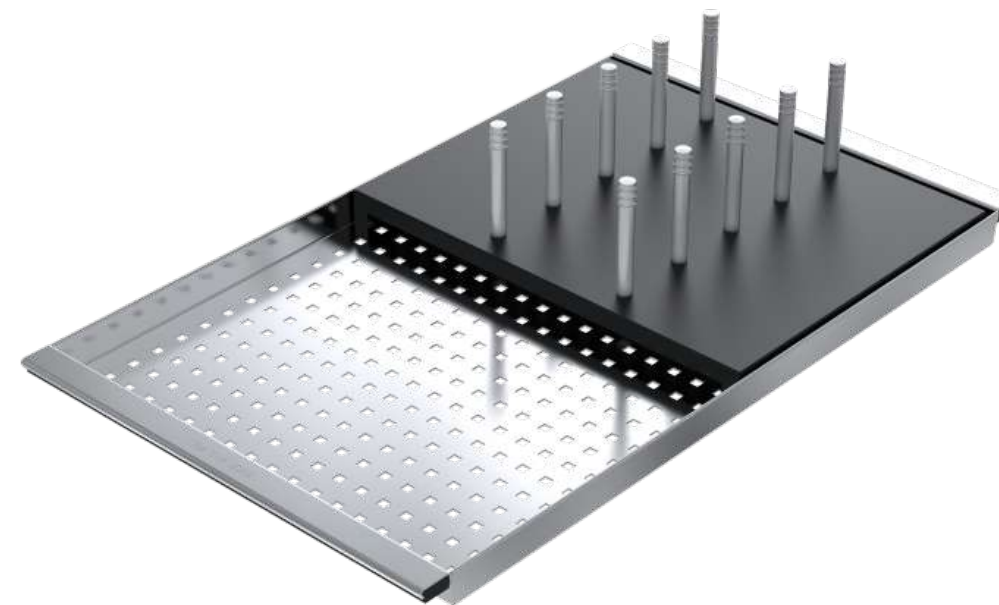
1VBF : 4,350,000 VND



1CIVQ : 4,800,000 VND



1CIFX : 9,400,000 VND



1VSFX : 9,800,000 VND



BARAZZA - SLIDING CHOPPING BOARD

HPL - ITGS

UPSCALE

Description

- Sliding Chopping Board
- High Pressure Laminate
- 520 x 300
- **Manufactured In Italy**



Price Excluding VAT: 4,500,000 VND

BARAZZA - SOAP/DETERGENT DISPENSER

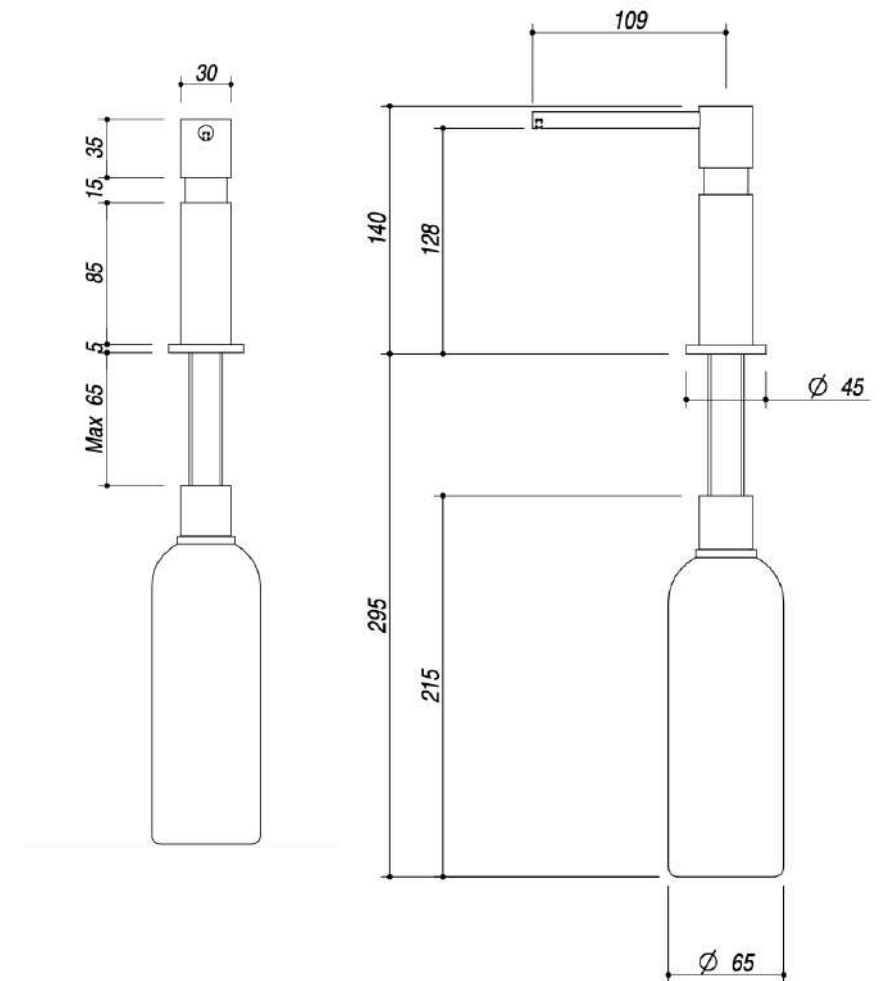
AISI 304 - 1DSU

Description

- Stainless Steel
- Dispenser with liquid soap/detergent container,
- Filled from the top
- Capacity: 0,5 L
- Holder dimensions: $\varnothing 65 \times 200$ h mm
- Dispenser base: $\varnothing 45$ mm
- Dispenser hole: $\varnothing 35$ mm
- It can be installed on a top with a thickness less than or equal to 65 mm
- **5 Years Warranty**
- **Designed & Manufactured In Italy**

Price Excluding VAT: 8,500,000 VND

UPSCALE



BARAZZA - SOAP/DETERGENT DISPENSER

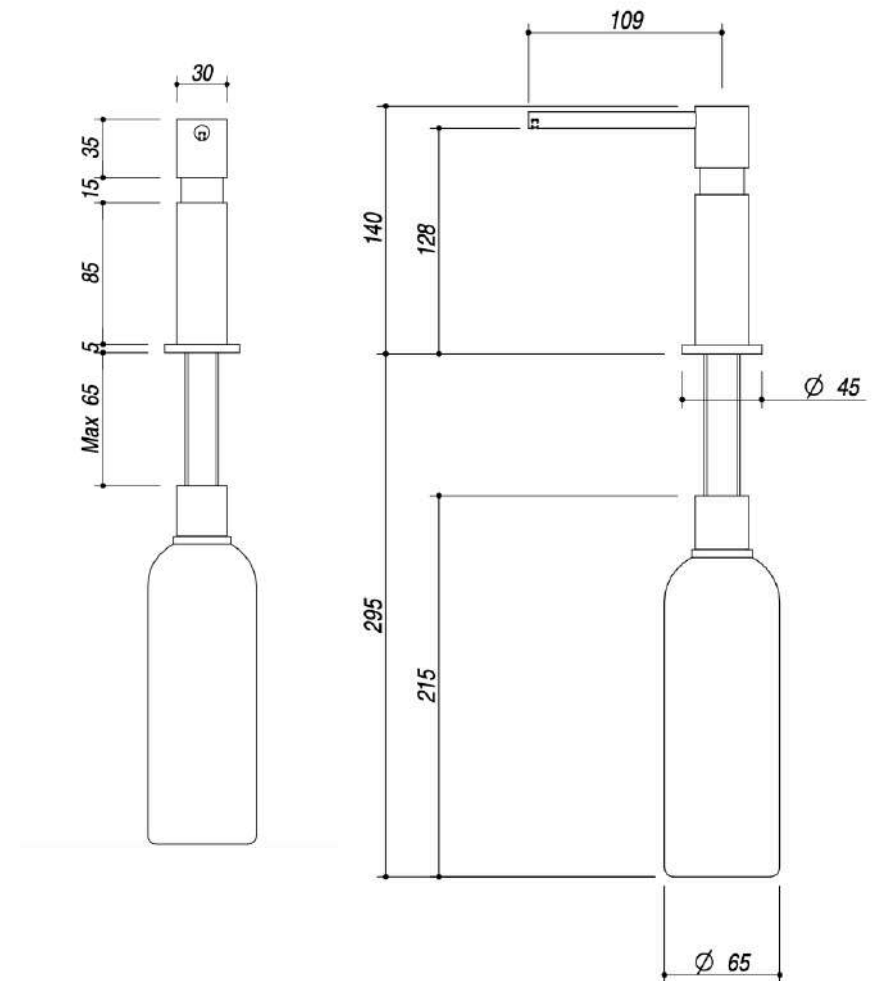
AISI 304 - 1DSUN

Description

- Stainless Steel - Black
- Dispenser with liquid soap/detergent container,
- Filled from the top
- Capacity: 0,5 L
- Holder dimensions: $\varnothing 65 \times 200$ h mm
- Dispenser base: $\varnothing 45$ mm
- Dispenser hole: $\varnothing 35$ mm
- It can be installed on a top with a thickness less than or equal to 65 mm
- **5 Years Warranty**
- **Designed & Manufactured In Italy**

Price Excluding VAT: 9,500,000 VND

UPSCALE





KPLUS - WINE CHILLER

KPLUS - BUILT IN

UPSCALE

Description

- Integrated Wine Chiller
- Smart Touch Control
- White, Red and champagne temperatures
- Ambient Light Control
- Booster Mode
- Stainless Steel Crown
- Super Silent
- Auto Shut Off
- Energy Efficient A+++
- Eco-friendly
- Memory Function
- **3 Years Warranty**
- **Designed & Manufactured In the UK**



Price Excluding VAT: 34,000,000 VND

UPSCALE



THRILL - STAINLESS STEEL VORTEX

VORTEX F1

UPSCALE

Description

- Vortex - Sanitation & Chilling
- Stainless steel chassis
- Uses E290 food grade CO2
- Electro-valve with **2.8 (2.5 for TAP)** meters long CO2 cylinder connection tube
- Internal rechargeable battery (lasts up to 5 days) with AC adapter and power cord, international plug
- CE marked
- NSF certified
- **5 Years Warranty**
- **Designed & Manufactured In Italy**

Click the icon for more info



Wow Effect

Rechargeable battery

Ready for outdoor usage

100% Stainless steel

Anti-freeze patent

Silent

Use with one hand

ERT option



Price Excluding VAT: 64,500,000 VND

THRILL - SANITATION & CHILLING VORTEX CUBE

UPSCALE

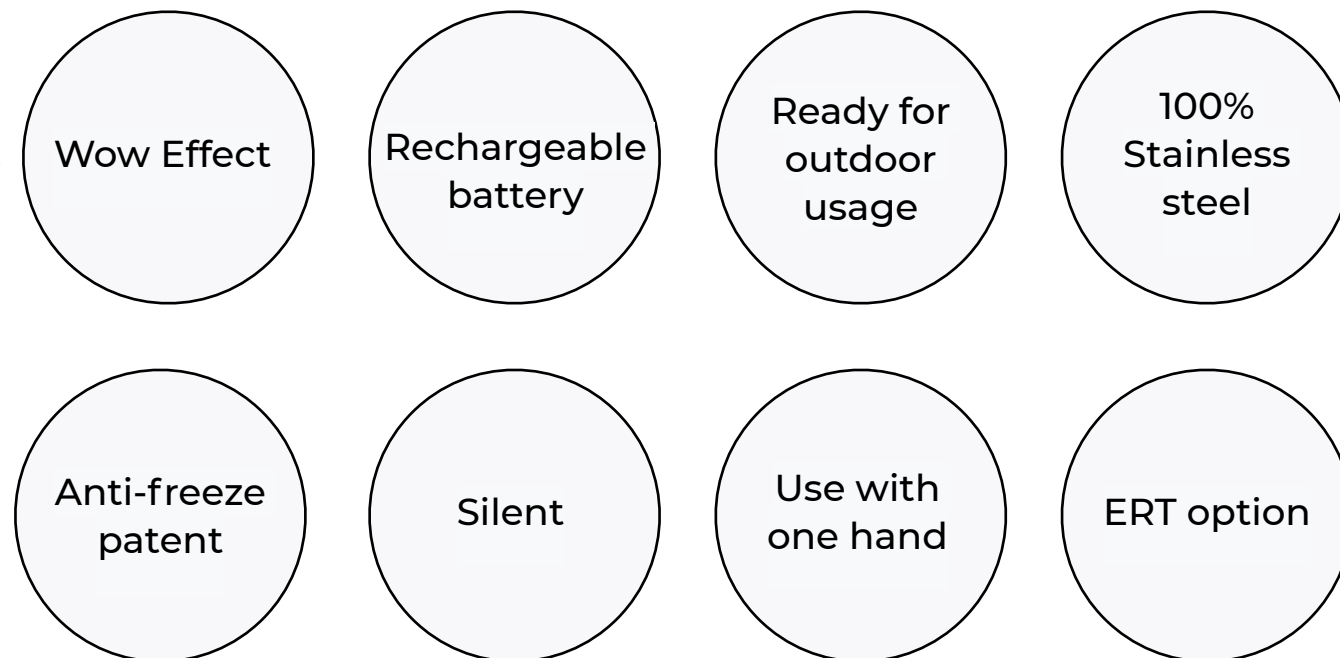
Description

- Vortex - Sanitation & Chilling
- Stainless steel chassis
- Uses E290 food grade CO2
- Electro-valve with **2.8 (2.5 for TAP)** meters long CO2 cylinder connection tube
- Internal rechargeable battery (lasts up to 5 days) with AC adapter and power cord, international plug
- CE marked
- NSF certified
- **5 Years Warranty**
- **Designed & Manufactured In Italy**
- **Available in wood colors (Ash, Walnut, Wengé)**



Price Excluding VAT: 69,500,000 VND

Click the icon for more info



THRILL - SANITATION & CHILLING

VORTEX SBI - BUILT IN

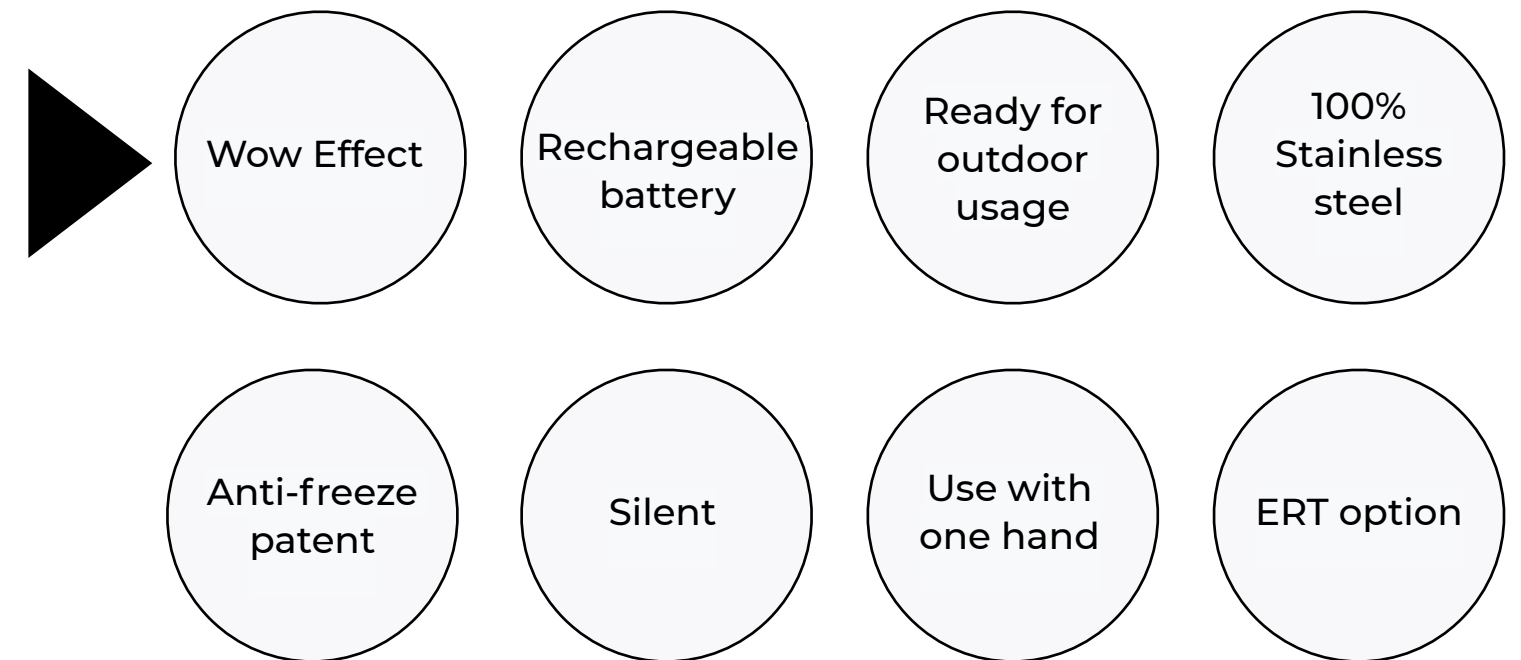
Description

- Vortex - Sanitation & Chilling
- Stainless steel chassis
- Uses E290 food grade CO2
- Electro-valve with **2.8 (2.5 for TAP)** meters long CO2 cylinder connection tube
- Internal rechargeable battery (lasts up to 5 days) with AC adapter and power cord, international plug
- CE marked
- NSF certified
- **5 Years Warranty**
- **Designed & Manufactured In Italy**
- **Available in different finishing**

Price Excluding VAT: 64,500,000 VND

UPSCALE

Click the icon for more info



THRILL - SANITATION & CHILLING VORTEX JET

UPSCALE

Description

- Vortex - Sanitation & Chilling
- Stainless steel chassis
- Uses E290 food grade CO2
- Electro-valve with **2.8 (2.5 for TAP)** meters long CO2 cylinder connection tube
- Internal rechargeable battery (lasts up to 5 days) with AC adapter and power cord, international plug
- CE marked
- NSF certified
- **5 Years Warranty**
- **Designed & Manufactured In Italy**

Click the icon
for more info



Wow Effect

Rechargeable
battery

Ready for
outdoor
usage

100%
Stainless
steel

Anti-freeze
patent

Silent

Use with
one hand

ERT option



Price Excluding VAT: 72,500,000 VND

THRILL - SANITATION & CHILLING VORTEX TAP

UPSCALE

Description

- Vortex - Sanitation & Chilling
- Stainless steel chassis
- Uses E290 food grade CO2
- Electro-valve with **2.8 (2.5 for TAP)** meters long CO2 cylinder connection tube
- Internal rechargeable battery (lasts up to 5 days) with AC adapter and power cord, international plug
- CE marked
- NSF certified
- **5 Years Warranty**
- **Designed & Manufactured In Italy**

Click the icon
for more info



Wow Effect

Rechargeable
battery

Ready for
outdoor
usage

100%
Stainless
steel

Anti-freeze
patent

Silent

Use with
one hand

ERT option



Price Excluding VAT: 79,500,000 VND

THRILL - STAINLESS STEEL VORTEX TOWER - (MOBILE)

UPSCALE

Description

- Vortex - Sanitation & Chilling
- Stainless steel chassis
- Uses E290 food grade CO2
- Electro-valve with **2.8 (2.5 for TAP)** meters long CO2 cylinder connection tube
- Internal rechargeable battery (lasts up to 5 days) with AC adapter and power cord, international plug
- CE marked
- NSF certified
- **5 Years Warranty**
- **Designed & Manufactured In Italy**

Click the icon
for more info



Wow Effect

Rechargeable
battery

Ready for
outdoor
usage

100%
Stainless
steel

Anti-freeze
patent

Silent

Use with
one hand

ERT option



Price Excluding VAT: 215,000,000 VND

The products outlined in this price list are manufactured in Italy (Unless where otherwise mentioned), meeting stringent European standards, and are backed by a solid 5-year warranty. For additional information regarding our warranty policy, kindly refer to the following link

<https://www.upscale.vn/en/warranty/>

UPSCALE



Thank you!

Design everything and always take up the challenge: Every single thing can be redesigned in a different and better way.

upscale.vn